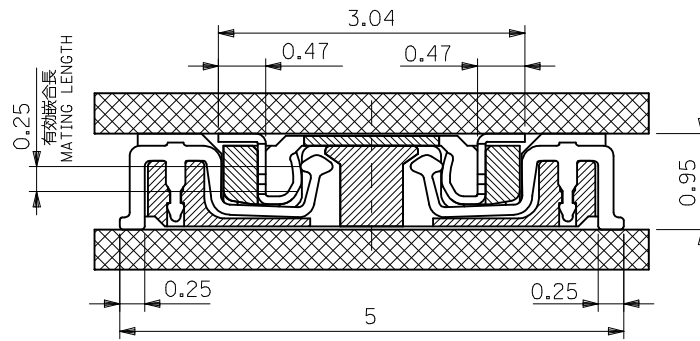


- 注記 NOTES
- 材質 MATERIAL
ハウジング : 液晶ポリマー-UL94V-0
HOUSING : LIQUID CRYSTAL POLYMER [LCP] UL94V-0
ターミナル : 銅合金
TERMINAL : COPPER ALLOY
ネール : 銅合金
NAIL : COPPER ALLOY
 - メッキ仕様 PLATING
接点部 : 金メッキ 0.1μm
CONTACT AREA : GOLD PLATING 0.1μm
半田付け部 : 金メッキ 0.1μm
SOLDER TAIL AREA : GOLD PLATING 0.1μm
下地メッキ : ニッケルメッキ 1.0 μm
UNDER PLATING : NICKEL PLATING 1.0 μm
ネール : 鍍メッキ 1.0μm
NAIL : TIN PLATING 1.0μm
下地メッキ : ニッケルメッキ 0.5 μm
UNDER PLATING : NICKEL PLATING 0.5 μm
 - テール及びネールの平坦度は0.1以下
TAIL AND NAIL COPLANARITY : 0.1 MAX.
 - 嵌合相手 : 500027 シリーズ
MATE WITH : 500027 SERIES
 - 本製品は 500024-***9 の鉛フリー品である。
THIS PRODUCT IS LEAD FREE OF 50024-***9

14.94	11.6	500024-6071	X	60
10.94	7.6	500024-4071	O	40
A	B	EMBOSSED TAPE PACKAGE	NOTCH	極数
		オナー番号 ORDER NO.		CIRCUITS

CONNECTOR SERIES No. : 500024-***08

REVISED EC NO: J2014-1542 DRWN: YSATO06 2014/04/10 CHKD: TASAKAWA 2014/04/17 APPR: TASAKAWA 2014/04/18	GENERAL TOLERANCES (UNLESS SPECIFIED)		DIMENSION STYLE	SCALE	DESIGN UNITS	THIRD ANGLE PROJECTION
			MM ONLY	10:1	METRIC	
	DESCRIPTION	10 UNDER	±0.2	DRAWN BY	DATE	TITLE
		10 OVER 30 UNDER	±0.25	H. SHIMABUKUR	'04/02/18	0.4 BB CONN. H=0.95 REC. ASSY.
	30 OVER	±0.3	CHECKED BY	DATE		
			K. TOJO	'04/02/18		
			APPROVED BY	DATE		
			M. SASAO	'04/02/18		
	ANGULAR	±3 °	MATERIAL NO.	DOCUMENT NO.		
	DRAFT WHERE APPLICABLE MUST REMAIN WITHIN DIMENSIONS		SEE CHART	SD-500024-018	SHEET NO. 1 OF 2	
			SIZE	THIS DRAWING CONTAINS INFORMATION THAT IS PROPRIETARY TO MOLEX INCORPORATED AND SHOULD NOT BE USED WITHOUT WRITTEN PERMISSION		
			A3			



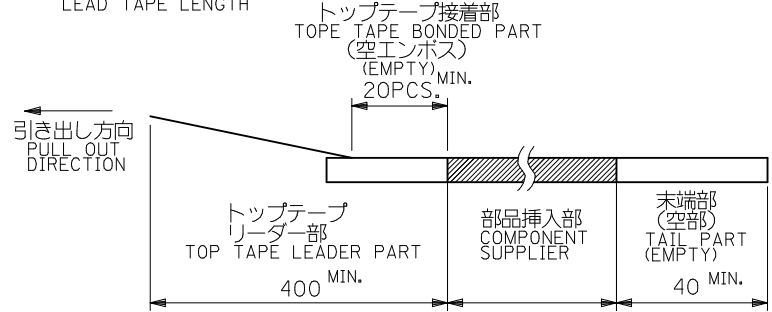
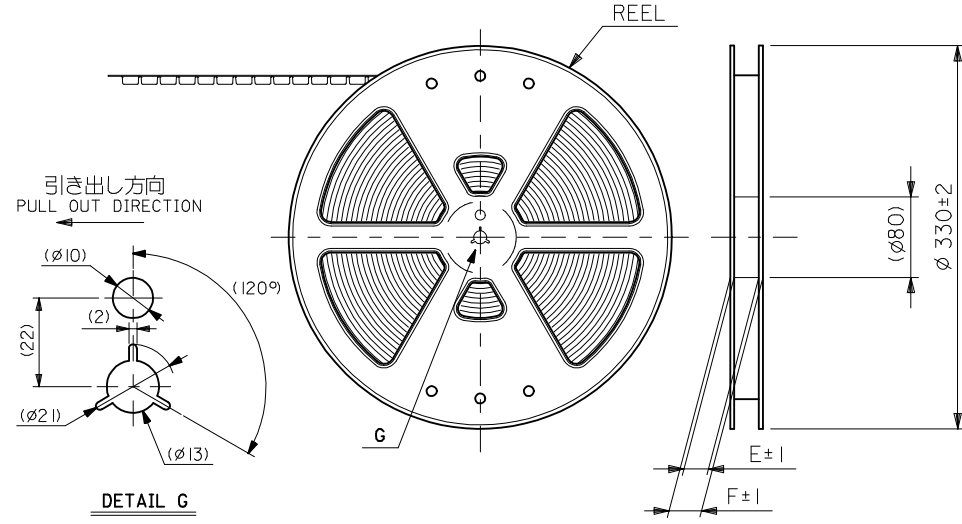
嵌合断面図 (参考)
MATED DRAWING

CONNECTOR SERIES No. : 500024-**-08

REVISED EC NO: J2014-1542 DRWN: YSATO06 2014/04/10 CHKD: TASAKAWA 2014/04/17 APPR: TASAKAWA 2014/04/18	GENERAL TOLERANCES (UNLESS SPECIFIED)		DIMENSION STYLE MM ONLY	SCALE 20:1	DESIGN UNITS METRIC	THIRD ANGLE PROJECTION
	10 UNDER	±0.2	DRAWN BY H. SHIMABUKUR	DATE '04/02/18	TITLE 0.4 BB CONN. H=0.95 REC. ASSY.	
	10 OVER 30 UNDER	±0.25	CHECKED BY K. TOJO	DATE '04/02/18	molex DOCUMENT NO. SD-500024-018 SHEET NO. 2 OF 2	
	30 OVER	±0.3	APPROVED BY M. SASAO	DATE '04/02/18		
ANGULAR ±3 °		MATERIAL NO. SEE CHART 1				
DRAFT WHERE APPLICABLE MUST REMAIN WITHIN DIMENSIONS		THIS DRAWING CONTAINS INFORMATION THAT IS PROPRIETARY TO MOLEX INCORPORATED AND SHOULD NOT BE USED WITHOUT WRITTEN PERMISSION				

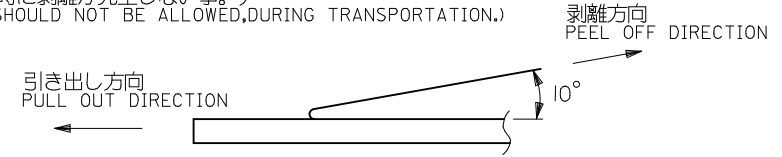
注)
NOTES

1. 製品番号 500024-***8 詳細寸法については、製品単体図面を参照下さい。
IN THE PACKAGE PART NUMBER 500024-***8 DETAILED DIMENSIONS, SEE SALES DRAWING FOR CONNECTOR.
2. 梱包数量：2000個/リール
NUMBER OF CONNECTORS：2000 PCS/REEL.
3. リードテープ長さ
LEAD TAPE LENGTH



4. トップテープの剥離強度：(剥離方向は下図参照)
PEELING OFF FORCE OF TOP TAPE (PELLING DIRECTION AS SHOWN IN FOLLOWING FIGURE.)
0. 1~1. 3N {10~130gf}

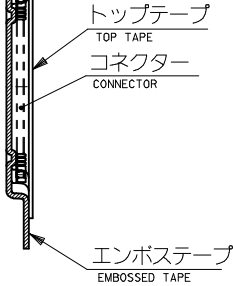
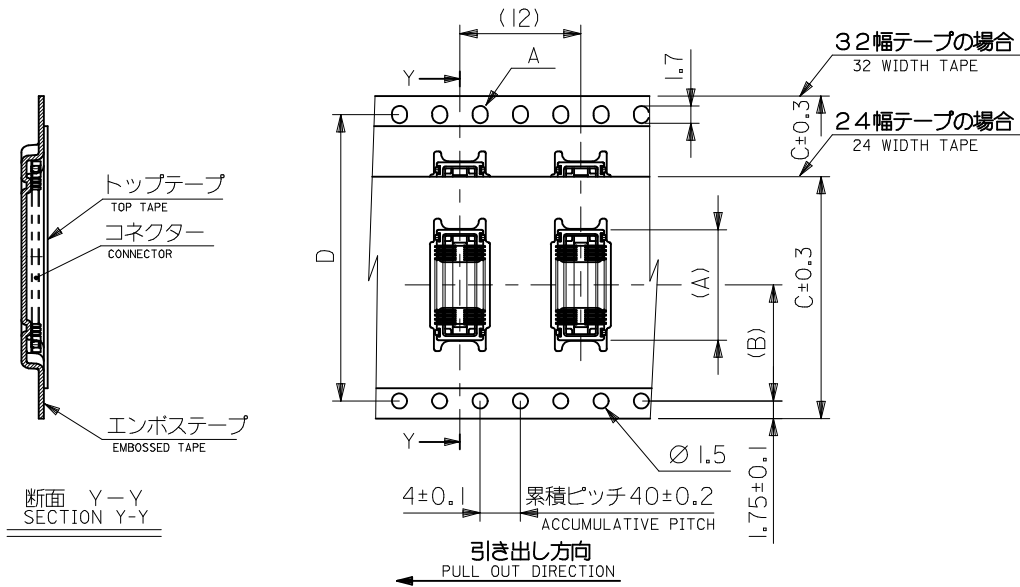
尚、本規格値は、出荷時に適用。
THIS REQUIREMENT SHOULD BE APPLIED AT SHIPMENT.
(但し、輸送時に剥離が発生しない事。)
(PEEL OFF SHOULD NOT BE ALLOWED, DURING TRANSPORTATION.)



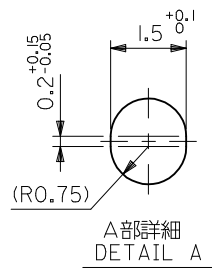
5. 材料
MATERIAL
キャリアテープ：ポリプロピレン (PP)
CARRIER TAPE: POLYPROPYLENE (PP)
トップテープ：PET, PE, PEF
TOP TAPE: PET, PE, PEF
リール：ポリスチレン
REEL : POLYSTYRENE
6. 本製品は 500024-***01 の鉛フリー品である。
THIS PRODUCT IS LEAD FREE OF 500024-***01

MODEL No. 500024-***71

REVISED EC NO: J2014-1542 DRWN: YSATO06 2014/04/10 CHKD: TASAKAWA 2014/04/17 APPR: TASAKAWA 2014/04/18	GENERAL TOLERANCES (UNLESS SPECIFIED)		DIMENSION STYLE MM ONLY	SCALE ---	DESIGN UNITS METRIC	THIRD ANGLE PROJECTION
	10 UNDER	±0.2	DRAWN BY HSHIMABUKURO	DATE 2004/02/18	TITLE 0.4 BB CONN. H=0.95 REC. ASSY. EMBSTP. PKG	
	10 OVER 30 UNDER	±0.25	CHECKED BY TTOJO	DATE 2004/02/18		
	30 OVER	±0.3	APPROVED BY	DATE		
	ANGULAR ±3 °		MATERIAL NO. SEE CHART 2	DOCUMENT NO. SD-500024-019	SHEET NO. 1 OF 2	
	DRAFT WHERE APPLICABLE MUST REMAIN WITHIN DIMENSIONS		SIZE A3	THIS DRAWING CONTAINS INFORMATION THAT IS PROPRIETARY TO MOLEX INCORPORATED AND SHOULD NOT BE USED WITHOUT WRITTEN PERMISSION		



断面 Y-Y
SECTION Y-Y



A部詳細
DETAIL A

37.4	33.4	28.4	32	14.2	14.94	500024-6071	60
29.4	25.4	X	24	11.5	10.94	500024-4071	40
F	E	D	C	B	A	MATERIAL NO.	極数 CIRCUITS

MODEL No. : 500024-**71

REVISED EC NO: J2014-1542 DRWN: YSATO06 2014/04/10 CHKD: TASAKAWA 2014/04/17 APPR: TASAKAWA 2014/04/18	GENERAL TOLERANCES (UNLESS SPECIFIED)		DIMENSION STYLE MM ONLY		SCALE ---		DESIGN UNITS METRIC		THIRD ANGLE PROJECTION		
	10 UNDER	±0.2	DRAWN BY HSHIMABUKURO		DATE 2004/02/18		TITLE 0.4 BB CONN. H=0.95 REC. ASSY. EMBSTP. PKG				
	10 OVER 30 UNDER	±0.25	CHECKED BY KTOJO		DATE 2004/02/18		MATERIAL NO. SEE CHART				
	30 OVER	±0.3	APPROVED BY		DATE						
ANGULAR ±3 °		DRAFT WHERE APPLICABLE MUST REMAIN WITHIN DIMENSIONS		SIZE A3		THIS DRAWING CONTAINS INFORMATION THAT IS PROPRIETARY TO MOLEX INCORPORATED AND SHOULD NOT BE USED WITHOUT WRITTEN PERMISSION					