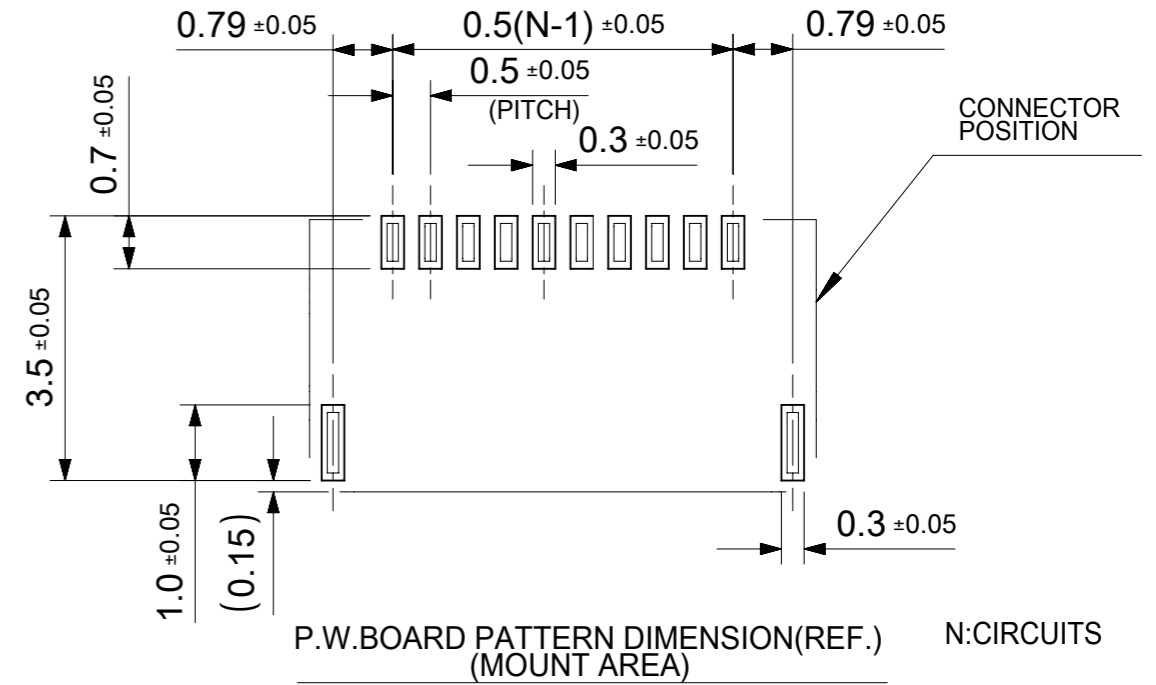
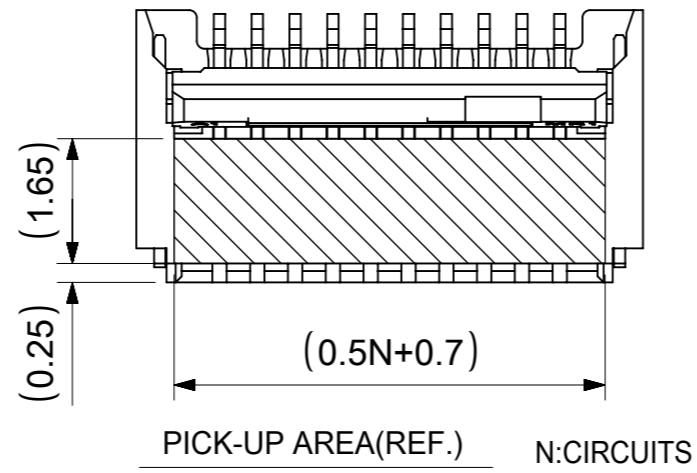
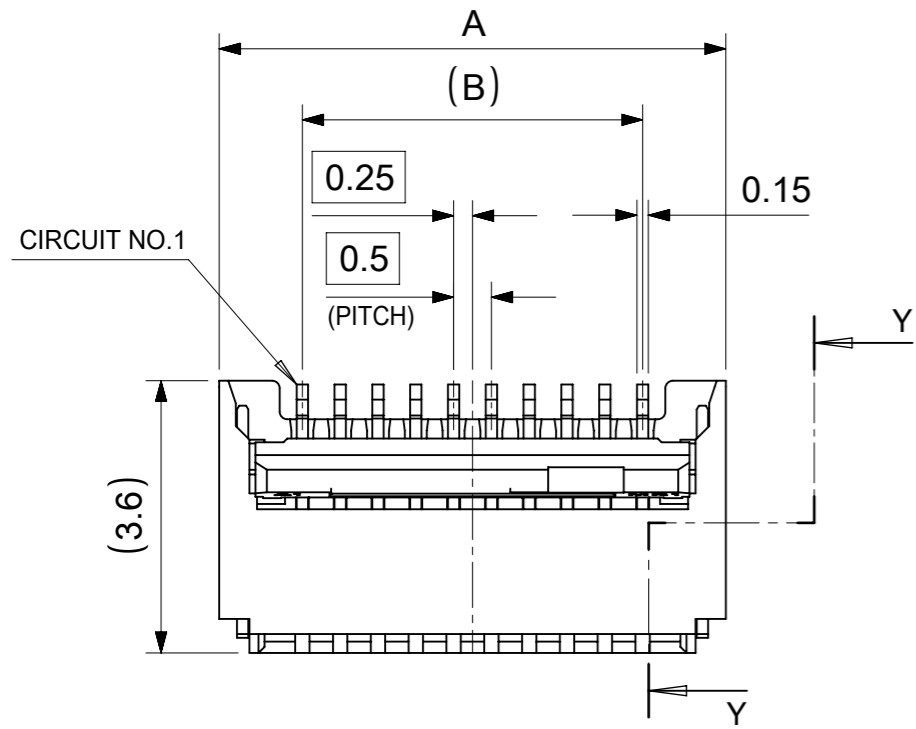
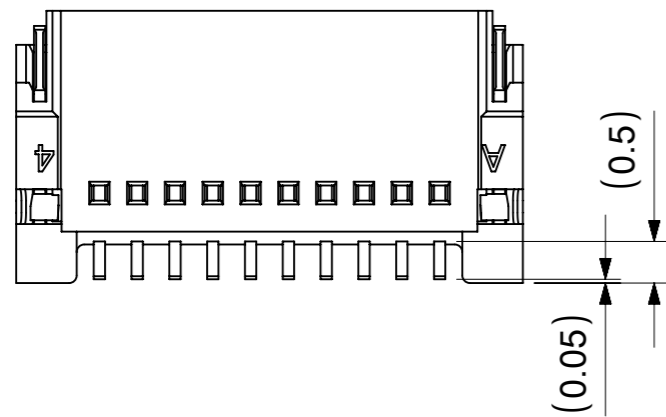
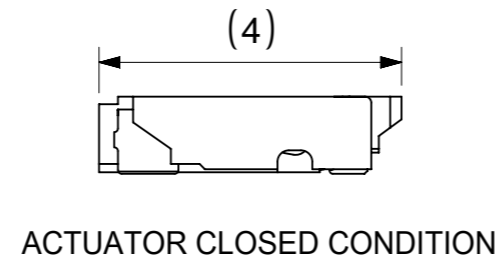
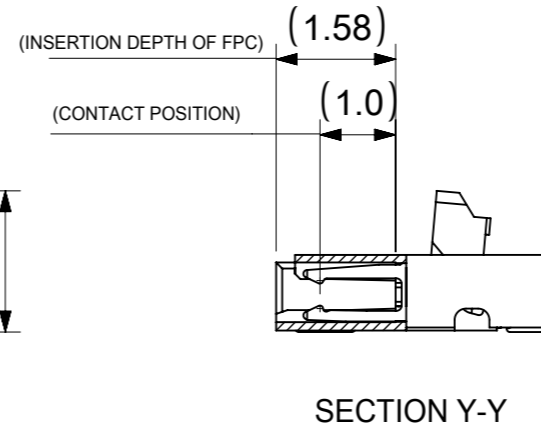
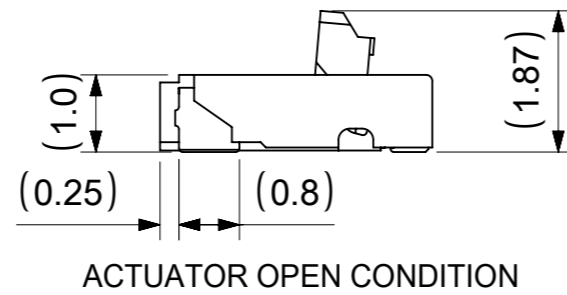
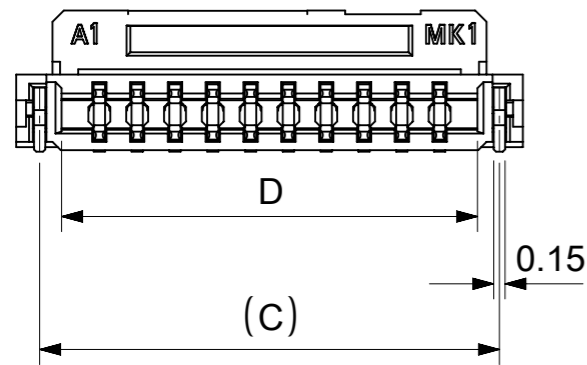


CIRCUIT NO.1



METAL MASK THICKNESS : 0.1mm
 OPENING AREA : TERM.(0.7X0.3)
 NAIL(1.0X0.3)



20.5	21.08	19.5	21.7	503480-4000	40
19.5	20.08	18.5	20.7	503480-3800	38
18.5	19.08	17.5	19.7	503480-3600	36
17.5	18.08	16.5	18.7	503480-3400	34
16.5	17.08	15.5	17.7	503480-3200	32
15.5	16.08	14.5	16.7	503480-3000	30
14.5	15.08	13.5	15.7	503480-2800	28
13.5	14.08	12.5	14.7	503480-2600	26
12.5	13.08	11.5	13.7	503480-2400	24
11.5	12.08	10.5	12.7	503480-2200	22
10.5	11.08	9.5	11.7	503480-2000	20
9.5	10.08	8.5	10.7	503480-1800	18
9.0	9.58	8.0	10.2	503480-1700	17
8.5	9.08	7.5	9.7	503480-1600	16
7.5	8.08	6.5	8.7	503480-1400	14
6.5	7.08	5.5	7.7	503480-1200	12
5.5	6.08	4.5	6.7	503480-1000	10
4.5	5.08	3.5	5.7	503480-0800	8
3.5	4.08	2.5	4.7	503480-0600	6
3.0	3.58	2.0	4.2	503480-0500	5
2.5	3.08	1.5	3.7	503480-0400	4
D	C	B	A	EMBOSSED PACKAGE ORDER NO.	CIRCUIT

CONNECTOR SERIES No. 503480-**09

FUNCTIONAL SYMBOLS	THIS DRAWING CONTAINS INFORMATION THAT IS PROPRIETARY TO MOLEX ELECTRONIC TECHNOLOGIES, LLC AND SHOULD NOT BE USED WITHOUT WRITTEN PERMISSION	CURRENT REV DESC:		molex
	DIMENSION UNITS: mm SCALE: 10:1 GENERAL TOLERANCES (UNLESS SPECIFIED): ANGULAR TOL ± 1.0° 4 PLACES ± 0.2 3 PLACES ± 0.2 2 PLACES ± 0.2 1 PLACE ± 0.2 0 PLACES ± 0.2 DRAFT WHERE APPLICABLE MUST REMAIN WITHIN DIMENSIONS	EC NO: 676145 DRWN: ICYANG CHK'D: SHCHU APPR: SHCHU INITIAL REVISION: DRWN: THIRAYAMA APPR: KMORIKAWA		
DIVISIONAL SYMBOLS	EC NO: 676145 DRWN: ICYANG CHK'D: SHCHU APPR: SHCHU INITIAL REVISION: DRWN: THIRAYAMA APPR: KMORIKAWA			2021/07/21 2021/09/02 2021/09/02 2009/12/11 2009/12/14
DOCUMENT STATUS: P1 RELEASE DATE: 2021/09/02 03:09:44		THIRD ANGLE PROJECTION DRAWING: A3-SIZE SERIES: 503480		PRODUCT CUSTOMER DRAWING DOCUMENT NUMBER: SD-503480-001 DOC TYPE: PSD DOC PART: 001 REVISION: H2 MATERIAL NUMBER: SEE TABLE CUSTOMER: GENERAL MARKET SHEET NUMBER: 1 OF 2

NOTES

1. PART COMPOSITION

HOUSING MATERIAL: LIQUID CRYSTAL POLYMER(LCP), GLASS FILLED, UL94V-0, NATURAL(WHITE)

TERMINAL MATERIAL: PHOSPHOR BRONZE

CONTACT AREA : SEPARATED GOLD PLATING (0.1 MICROMETER MINIMUM)

SOLDER TAIL AREA : SEPARATED GOLD PLATING

UNDERPLATE : NICKEL OVERALL (1.0 MICROMETER MINIMUM)

ACTUATOR MATERIAL : POLYAMIDE(PA), GLASS FILLED, UL94 HB, BLACK

NAIL MATERIAL: PHOSPHOR BRONZE

SOLDER TAIL AREA : TIN OVERALL(1.0 MICROMETER MINIMUM)
UNDERPLATE : NICKEL OVERALL(1.0 MICROMETER MINIMUM)

2 . PLEASE DO NOT OPERATE THE ACTUATOR BEFORE MOUNTING.

3. PLEASE OPERATE THE ACTUATOR AFTER INSERTING THE FPC INTO THE CONNECTOR.

4. ABOUT FPC

RECOMMENDED STIFFENER MATERIAL: POLYIMIDE
RECOMMENDED BASE FILM THICKNESS: 25 MICROMETER
RECOMMENDED ADHESIVE: THERMOSETTING ADHESIVE
NOTE: PLEASE PUT APPROPRIATE AMOUNT OF ADHESIVE ON ADHEREND BECAUSE THERE IS A POSSIBILITY THAT THE EXTRA ADHESIVE CAUSES THE DEFECT IN ELECTRICAL CONTINUITY.

RECOMMENDED PUNCHER DIRECTION:
FROM CONDUCTOR SIDE TO STIFFENER FILM SIDE.
RECOMMENDED CONDUCTOR SPECIFICATION:
THICKNESS OF SOFT COPPER FOIL: 35MICROMETER

5 R0.3 MUST NOT BE OVERLAPPED TO PATTERN OF FPC.

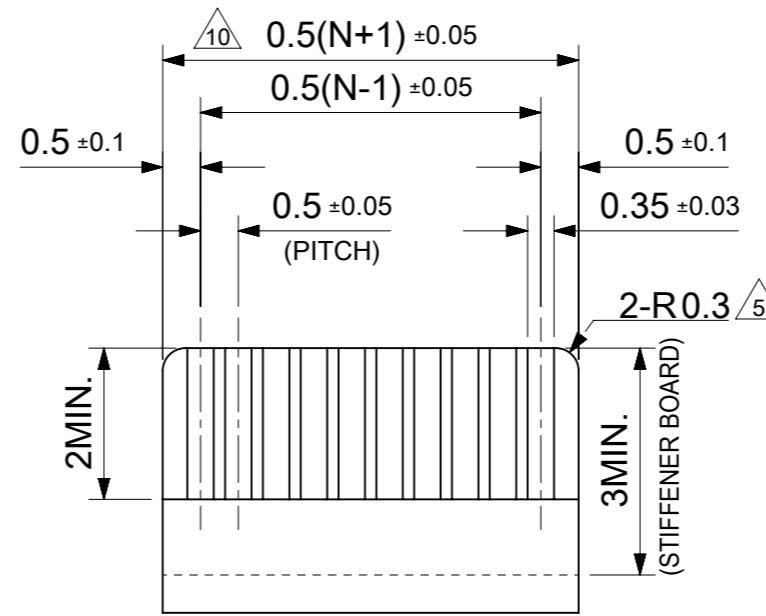
6. COPLANARITY : 0.1 MAXIMUM

7. PLEASE RECOGNIZE A POSSIBILITY TO CHANGE THE SHAPE OF THE PART THAT DOES NOT OBSTRUCT A FUNCTION, BY CIRCUMSTANCES IN OUR PRODUCTION.

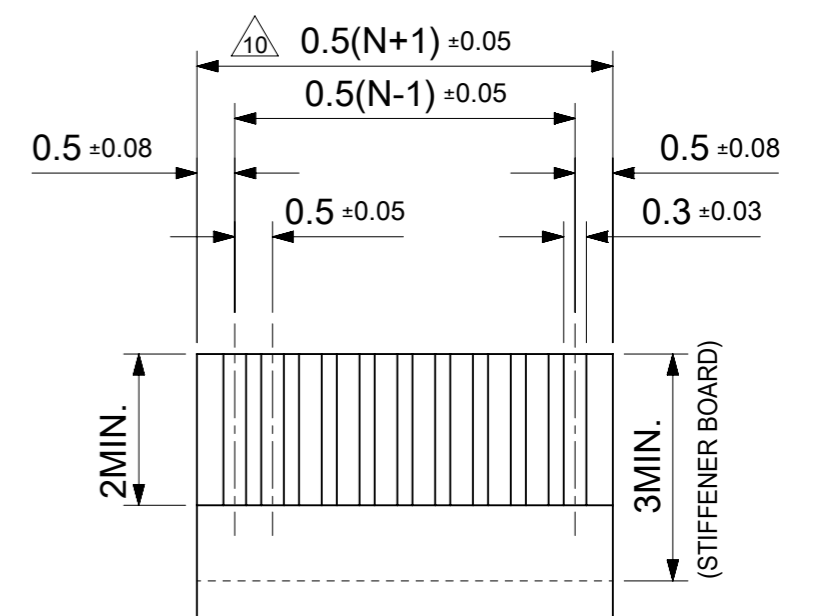
8. THIS PRODUCT IS DELIVERED WITH THE ACTUATOR IN THE OPEN POSITION.

9. THIS PRODUCT IS DUAL-CONTACT (TOP- AND BOTTOM-CONTACTS) TYPE CONNECTOR.

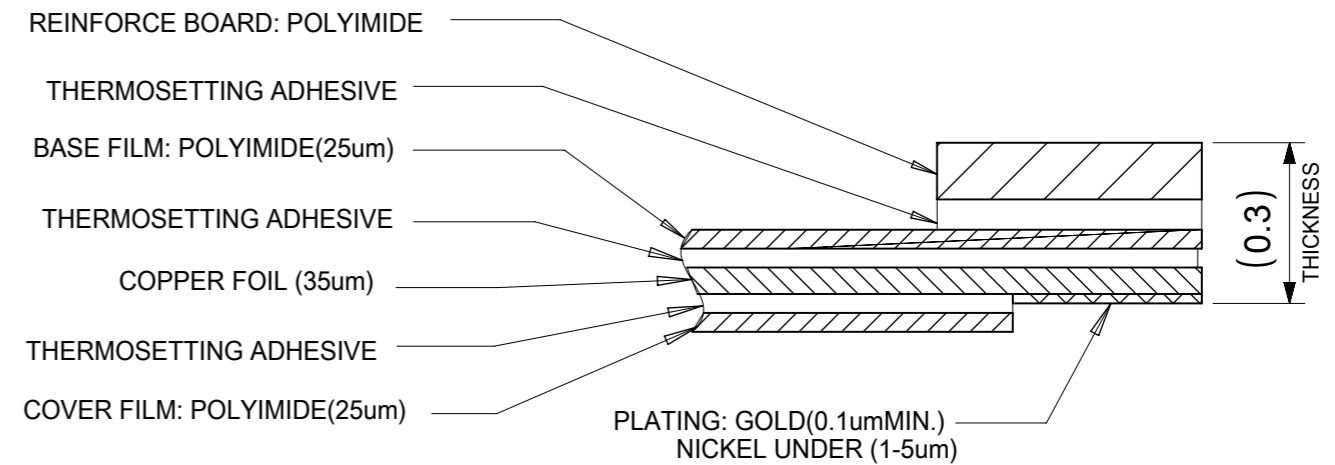
10 PLEASE CONFIRM TO INSERT FPC IN ADVANCE WHEN FPC WIDTH IS OVER $0.5(N+1)+0.02$.



APPLICABLE FPC RECOMMENDED DIMENSION N:CIRCUITS
(THICKNESS : 0.3±0.05) : 30 OR LESS CIRCUITS
(THICKNESS : 0.3±0.03) : 31 OR OVER CIRCUITS

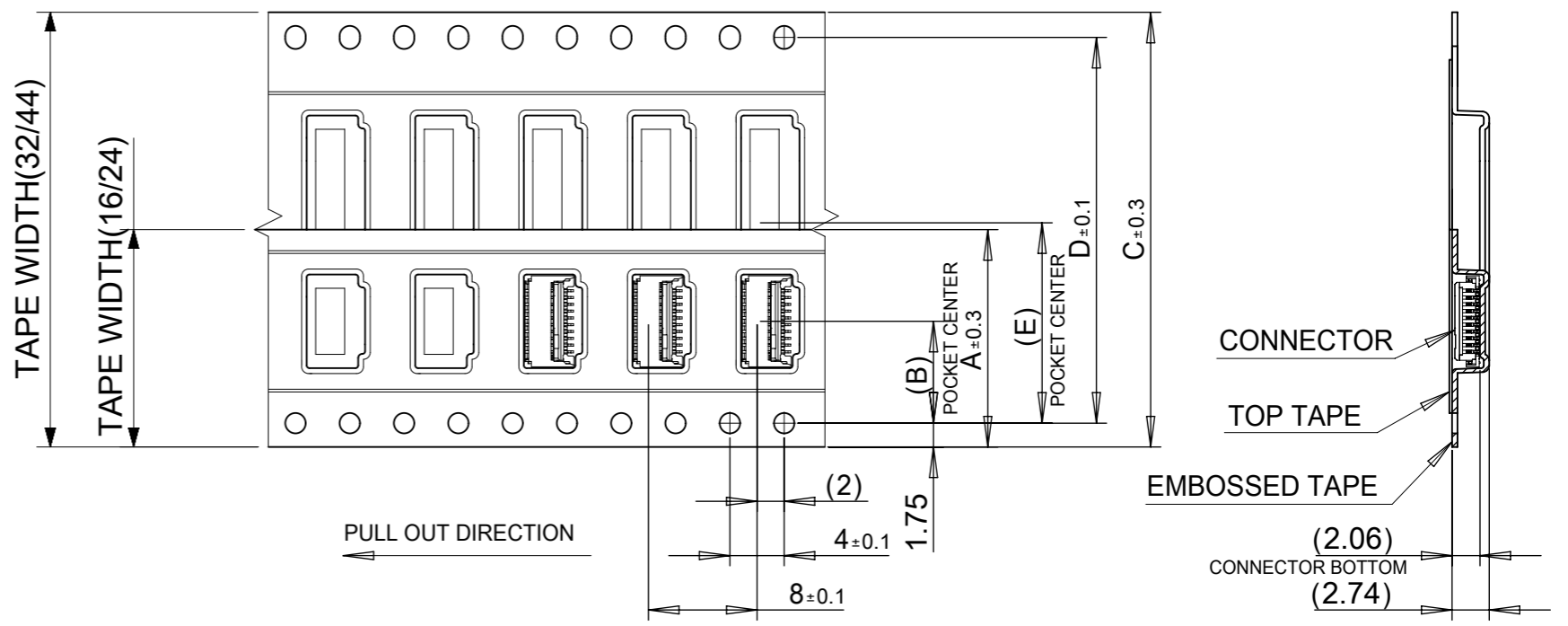
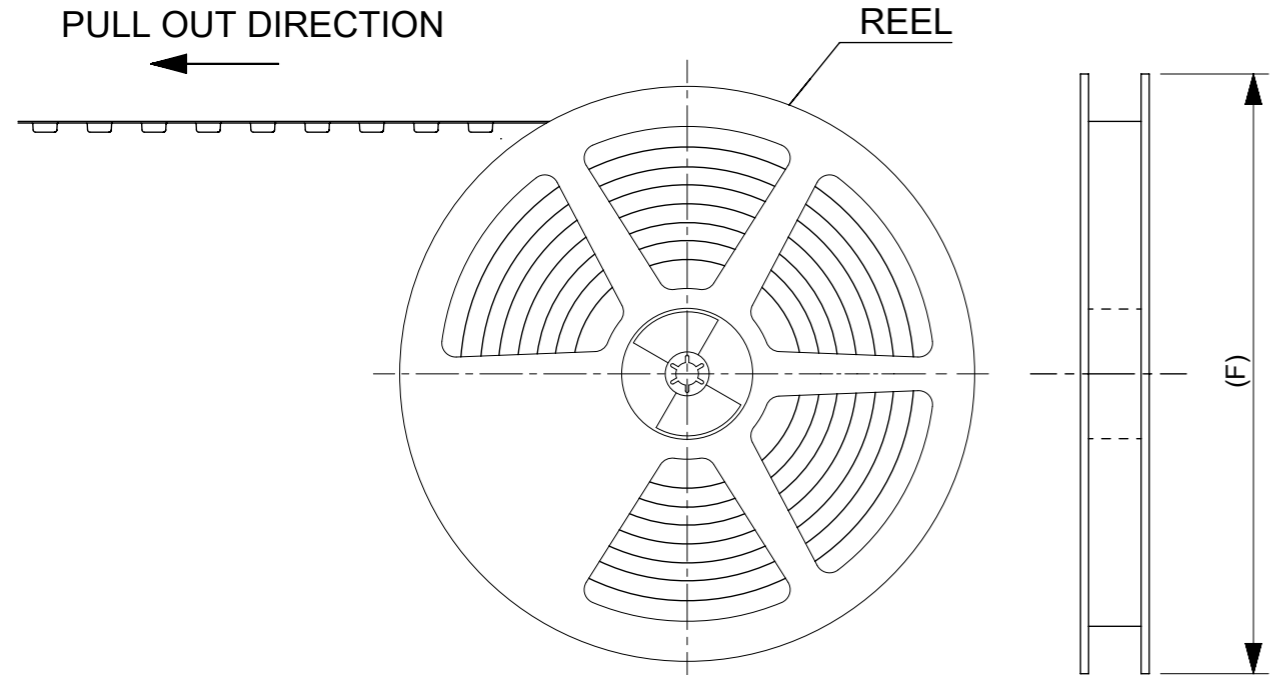


APPLICABLE FFC RECOMMENDED DIMENSION N:CIRCUITS



STRUCTURE OF FPC

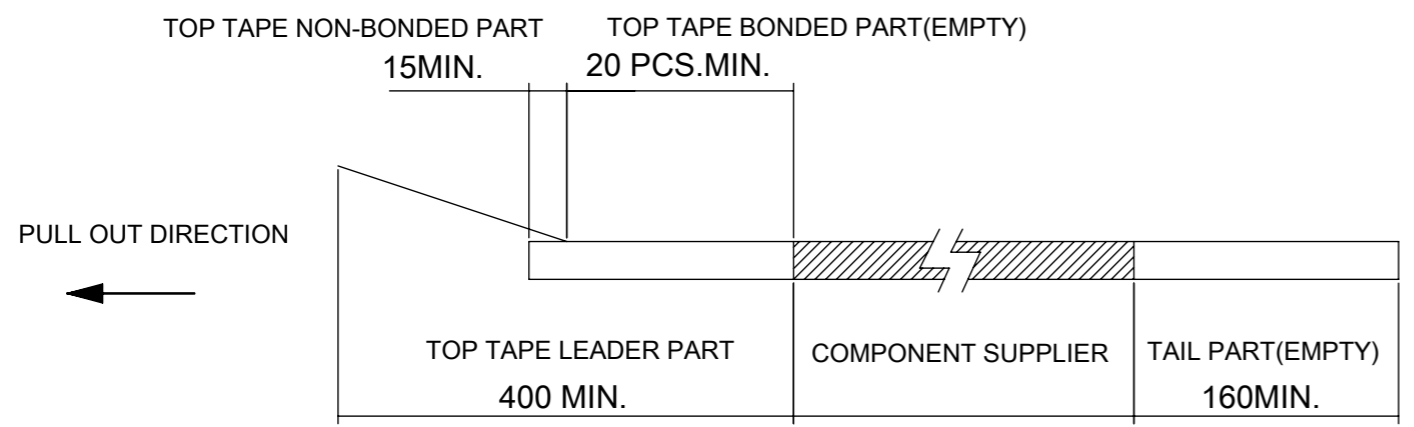
FUNCTIONAL SYMBOLS	THIS DRAWING CONTAINS INFORMATION THAT IS PROPRIETARY TO MOLEX ELECTRONIC TECHNOLOGIES, LLC AND SHOULD NOT BE USED WITHOUT WRITTEN PERMISSION	CURRENT REV DESC:																																																	
	<table border="1"> <tr> <th>DIMENSION UNITS</th> <th>SCALE</th> </tr> <tr> <td>mm</td> <td>10:1</td> </tr> </table>	DIMENSION UNITS	SCALE				mm	10:1	<table border="1"> <tr> <th colspan="3">GENERAL TOLERANCES (UNLESS SPECIFIED)</th> </tr> <tr> <td>ANGULAR TOL</td> <td>±</td> <td>1.0°</td> </tr> <tr> <td>4 PLACES</td> <td>±</td> <td>0.2</td> </tr> <tr> <td>3 PLACES</td> <td>±</td> <td>0.2</td> </tr> <tr> <td>2 PLACES</td> <td>±</td> <td>0.2</td> </tr> <tr> <td>1 PLACE</td> <td>±</td> <td>0.2</td> </tr> <tr> <td>0 PLACES</td> <td>±</td> <td>0.2</td> </tr> </table>		GENERAL TOLERANCES (UNLESS SPECIFIED)			ANGULAR TOL	±	1.0°	4 PLACES	±	0.2	3 PLACES	±	0.2	2 PLACES	±	0.2	1 PLACE	±	0.2	0 PLACES	±	0.2	<table border="1"> <tr> <td>EC NO: 676145</td> <td>2021/07/21</td> </tr> <tr> <td>DRWN: ICYANG</td> <td>2021/09/02</td> </tr> <tr> <td>CHK'D: SHCHU</td> <td>2021/09/02</td> </tr> <tr> <td>APPR: SHCHU</td> <td>2021/09/02</td> </tr> </table>		EC NO: 676145	2021/07/21	DRWN: ICYANG	2021/09/02	CHK'D: SHCHU	2021/09/02	APPR: SHCHU	2021/09/02	<table border="1"> <tr> <th colspan="3">PRODUCT CUSTOMER DRAWING</th> </tr> <tr> <td>DOCUMENT NUMBER</td> <td>DOC TYPE</td> <td>DOC PART</td> <td>REVISION</td> </tr> <tr> <td>SD-503480-001</td> <td>PSD</td> <td>001</td> <td>H2</td> </tr> </table>			PRODUCT CUSTOMER DRAWING			DOCUMENT NUMBER	DOC TYPE	DOC PART	REVISION
DIMENSION UNITS	SCALE																																																		
mm	10:1																																																		
GENERAL TOLERANCES (UNLESS SPECIFIED)																																																			
ANGULAR TOL	±	1.0°																																																	
4 PLACES	±	0.2																																																	
3 PLACES	±	0.2																																																	
2 PLACES	±	0.2																																																	
1 PLACE	±	0.2																																																	
0 PLACES	±	0.2																																																	
EC NO: 676145	2021/07/21																																																		
DRWN: ICYANG	2021/09/02																																																		
CHK'D: SHCHU	2021/09/02																																																		
APPR: SHCHU	2021/09/02																																																		
PRODUCT CUSTOMER DRAWING																																																			
DOCUMENT NUMBER	DOC TYPE	DOC PART	REVISION																																																
SD-503480-001	PSD	001	H2																																																
DIVISIONAL SYMBOLS	<table border="1"> <tr> <th colspan="3">INITIAL REVISION:</th> </tr> <tr> <td>DRWN: THIRAYAMA</td> <td>2009/12/11</td> </tr> <tr> <td>APPR: KMORIKAWA</td> <td>2009/12/14</td> </tr> </table>	INITIAL REVISION:			DRWN: THIRAYAMA	2009/12/11	APPR: KMORIKAWA	2009/12/14	<table border="1"> <tr> <th colspan="3">MATERIAL NUMBER</th> </tr> <tr> <td>SEE TABLE</td> <td>CUSTOMER</td> <td>SHEET NUMBER</td> </tr> <tr> <td>SEE TABLE</td> <td>GENERAL MARKET</td> <td>2 OF 2</td> </tr> </table>		MATERIAL NUMBER			SEE TABLE	CUSTOMER	SHEET NUMBER	SEE TABLE	GENERAL MARKET	2 OF 2	<table border="1"> <tr> <th colspan="3">DRAFT WHERE APPLICABLE MUST REMAIN WITHIN DIMENSIONS</th> </tr> <tr> <td>THIRD ANGLE PROJECTION</td> <td>DRAWING</td> <td>SERIES</td> </tr> <tr> <td></td> <td>A3-SIZE</td> <td>503480</td> </tr> </table>			DRAFT WHERE APPLICABLE MUST REMAIN WITHIN DIMENSIONS			THIRD ANGLE PROJECTION	DRAWING	SERIES		A3-SIZE	503480																				
INITIAL REVISION:																																																			
DRWN: THIRAYAMA	2009/12/11																																																		
APPR: KMORIKAWA	2009/12/14																																																		
MATERIAL NUMBER																																																			
SEE TABLE	CUSTOMER	SHEET NUMBER																																																	
SEE TABLE	GENERAL MARKET	2 OF 2																																																	
DRAFT WHERE APPLICABLE MUST REMAIN WITHIN DIMENSIONS																																																			
THIRD ANGLE PROJECTION	DRAWING	SERIES																																																	
	A3-SIZE	503480																																																	



DIRECTION OF CONNECTOR IN EMBOSSSED TAPE

NOTES

1. IN THE PACKAGE, PART NO.503480-**09 DETAILED DIMENSIONS. REFER TO SD-503480-001
2. NUMBER OF CONNECTORS : 3000PCS/REEL
3. LEAD TAPE LENGTH



4. MATERIAL

CARRIER TAPE : PET
 TOP TAPE : PET,OTHER
 REEL : PS (RECYCLE MATERIAL CONTAINED)

5. COVER TAPE PEEL FORCE IS DEFINED BY IEC60286-3.

F	E	D	C	B	A	TAPE WIDTH	ORDER NO.	CIRCUIT
380	20.2	40.4	44	-	-	44	503480-4000	(E1) 40
							503480-3800	(E1) 38
							503480-3600	(E1) 36
							503480-3400	(E1) 34
330	14.2	28.4	32	-	-	32	503480-3200	32
							503480-3000	(E1) 30
380	-	-	-	11.5	24	24	503480-2800	(E1) 28
							503480-2600	26
							503480-2400	24
							503480-2200	22
							503480-2000	20
							503480-1800	18
							503480-1700	17
							503480-1600	16
							503480-1400	14
							503480-1200	12
330	-	-	-	7.5	16	16	503480-1000	10
							503480-0800	8
							503480-0600	6
							503480-0500	5
							503480-0400	4

FUNCTIONAL SYMBOLS	THIS DRAWING CONTAINS INFORMATION THAT IS PROPRIETARY TO MOLEX ELECTRONIC TECHNOLOGIES, LLC AND SHOULD NOT BE USED WITHOUT WRITTEN PERMISSION	SCALE	CURRENT REV DESC:
△/A = 0	DIMENSION UNITS	mm	EC NO: 676145
△/E = 0	SCALE	NTS	DRWN: ICYANG
△/V = 0	GENERAL TOLERANCES (UNLESS SPECIFIED)		2021/07/21
	ANGULAR TOL	± 3.0°	CHK'D: SHCHU
	4 PLACES	±	2021/09/02
	3 PLACES	±	APPR: SHCHU
	2 PLACES	±	2021/09/02
	1 PLACE	±	INITIAL REVISION:
	0 PLACES	±	DRWN: THIRAYAMA
	DRAFT WHERE APPLICABLE MUST REMAIN WITHIN DIMENSIONS		2009/12/11
	THIRD ANGLE PROJECTION		2009/12/14
	DRAWING	A3-SIZE	SERIES
			503480
			MATERIAL NUMBER
			SEE TABLE
			CUSTOMER
			GENERAL MARKET
			SHEET NUMBER
			1 OF 1

(E2)	10 UNDER : ±0.20
	10 OVER 30 UNDER : ±0.25
	30 OVER : ±0.30