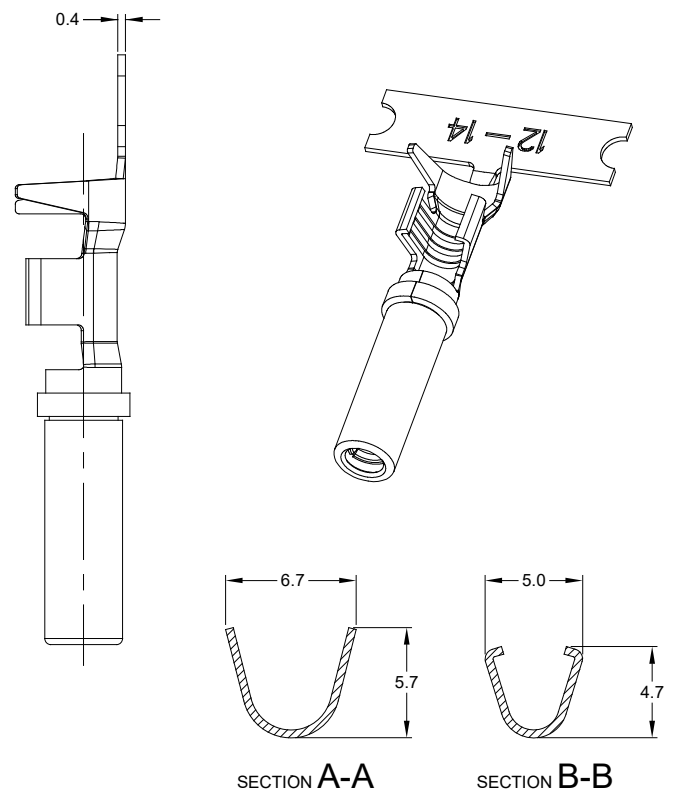
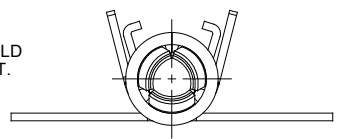


REVISIONS					
REV	ECO	DESCRIPTION	DATE	BY	APPR
A3	-	RELEASE NEW DWG FORMAT	21/OCT/13	DRP	-
A4	C1070S	UPDATE DRAWING	28/JUN/19	JOE	TOMMY



NOTES: UNLESS OTHERWISE SPECIFIED

1. MATERIAL: COPPER ALLOY
2. PLATING: SEE PART NUMBER CHART  
\*FOR GOLD PLATED CONTACTS: SELECTIVE GOLD FLASH IN CONTACT ZONE OR ENTIRE CONTACT.
3. CONTACT SIZE: 12
4. SPECIFICATIONS:
  - 4.1 CURRENT RATING: 25 AMPS
  - 4.2 CONTACT MILLIVOLT DROP: 100 MILLIVOLT DROP @ 25 AMP TEST CURRENT.
  - 4.3 RoHS COMPLIANT
5. RECOMMENDED WIRE RANGE: 12 - 14 AWG
6. PACKAGE: 2000 PCS/REEL
7. AVAILABLE APPLICATORS: MFX-3973-K OR MFX-3973-G
8. ALL DIMENSIONS ARE FOR REFERENCE USE ONLY



PART NUMBER CHART	
PLATING	PART NUMBER
NICKEL	AT62-12-0166
GOLD	AT62-12-0144

SEE PART NUMBER CHART		REF: 1062-12-0144, 1062-12-0166	
PART NUMBER		DESCRIPTION	
QUANTITY	MATERIALS LIST		
UNLESS OTHERWISE SPECIFIED: 1) All dimensions are in metric (mm). 2) Tolerances are as follows: 1 PL DEC ±0.30 2 PL DEC ±0.15 3 PL DEC ±0.08 Fractions ±1/64 Angles ±1°		SIGNATURES      DATE DRAWN: JOE SONG      28/JUN/19 CHECKED: ORION LI      28/JUN/19 ENGINEER: APPROVAL: TOMMY XIE      28/JUN/19	
MATERIAL SPECIFICATIONS:		CUSTOMER:	
PROCESS SPECIFICATIONS:		THIS DRAWING IS SUPPLIED FOR INFORMATION ONLY. DESIGN FEATURES, SPECIFICATIONS AND PERFORMANCE DATA SHOWN HEREON ARE THE PROPERTY OF THE AMPHENOL CORPORATION. NO RIGHTS OF REPRODUCTION ARE IMPLIED. ALL DIMENSIONS ARE SUBJECT TO NORMAL MANUFACTURING VARIATIONS.	
NEXT ASSY:		SIZE: <b>B C-</b>	TYPE: <b>AT62-12-01XX</b>
		SCALE: NONE	REVISION: <b>A4</b>
		SHEET 1 OF 1	

**Amphenol**  
Sine Systems - www.amphenol-sine.com  
44724 Morley Drive  
Clinton Township, MI 48036

TITLE: CONTACT, STAMPED, SIZE 12, 12-14AWG, A SERIES  
DWG NO: AT62-12-01XX  
REV: A4  
SH: 1  
OF: 1