

# EEPROM Serial 256-Kb I<sup>2</sup>C CAT24C256

## Description

The CAT24C256 is a EEPROM Serial 256-Kb I<sup>2</sup>C, internally organized as 32,768 words of 8 bits each.

It features a 64-byte page write buffer and supports the Standard (100 kHz), Fast (400 kHz) and Fast-Plus (1 MHz) I<sup>2</sup>C protocol.

Write operations can be inhibited by taking the WP pin High (this protects the entire memory).

External address pins make it possible to address up to eight CAT24C256 devices on the same bus.

On-Chip ECC (Error Correction Code) makes the device suitable for high reliability applications.

## Features

- Supports Standard, Fast and Fast-Plus I<sup>2</sup>C Protocol
- 1.8 V to 5.5 V Supply Voltage Range
- 64-Byte Page Write Buffer
- Hardware Write Protection for Entire Memory
- Schmitt Triggers and Noise Suppression Filters on I<sup>2</sup>C Bus Inputs (SCL and SDA)
- Low Power CMOS Technology
- 1,000,000 Program/Erase Cycles
- 100 Year Data Retention
- Industrial and Extended Temperature Range
- SOIC, TSSOP and UDFN 8-Pad Packages
- This Device is Pb-Free, Halogen Free/BFR Free, and RoHS Compliant

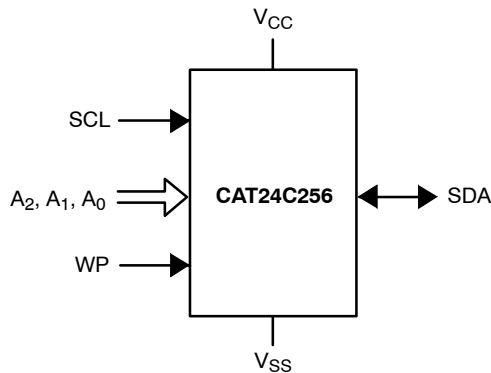
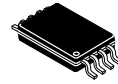


Figure 1. Functional Symbol



TSSOP-8  
Y SUFFIX  
CASE 948AL

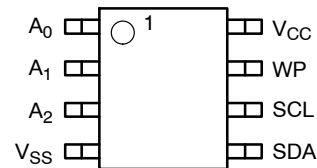


SOIC-8  
W SUFFIX  
CASE 751BD



UDFN-8  
HU4 SUFFIX  
CASE 517AZ

## PIN CONFIGURATION



SOIC (W, X), TSSOP (Y), UDFN (HU4)

For the location of Pin 1, please consult the corresponding package drawing.

## PIN FUNCTION

| Pin Name <sup>†</sup>                            | Function       |
|--|----------------|
| A <sub>0</sub> , A <sub>1</sub> , A <sub>2</sub> | Device Address |
| SDA  | Serial Data    |
| SCL  | Serial Clock   |
| WP   | Write Protect  |
| V <sub>CC</sub>                                  | Power Supply   |
| V <sub>SS</sub>                                  | Ground         |

<sup>†</sup>The exposed pad for the UDFN packages can be left floating or connected to Ground.

## ORDERING INFORMATION

See detailed ordering and shipping information in the package dimensions section on page 9 of this data sheet.

# CAT24C256

**Table 1. ABSOLUTE MAXIMUM RATINGS**

| Parameters   | Ratings      | Units |
|--|--------------|-------|
| Storage Temperature                                | -65 to +150  | °C    |
| Voltage on any Pin with Respect to Ground (Note 1) | -0.5 to +6.5 | V     |

Stresses exceeding those listed in the Maximum Ratings table may damage the device. If any of these limits are exceeded, device functionality should not be assumed, damage may occur and reliability may be affected.

- The DC input voltage on any pin should not be lower than -0.5 V or higher than  $V_{CC} + 0.5$  V. During transitions, the voltage on any pin may undershoot to no less than -1.5 V or overshoot to no more than  $V_{CC} + 1.5$  V, for periods of less than 20 ns.

**Table 2. RELIABILITY CHARACTERISTICS (Note 2)**

| Symbol                 | Parameter      | Min       | Units                |
|------------------------|----------------|-----------|----------------------|
| $N_{END}$ (Notes 3, 4) | Endurance      | 1,000,000 | Program/Erase Cycles |
| $T_{DR}$               | Data Retention | 100       | Years                |

- These parameters are tested initially and after a design or process change that affects the parameter according to appropriate AEC-Q100 and JEDEC test methods.

- Page Mode,  $V_{CC} = 5$  V, 25°C.

- The product uses ECC (Error Correction Code) logic with 6 ECC bits to correct one bit error in 4 data bytes. Therefore, when a single byte has to be written, 4 bytes (including the ECC bits) are re-programmed. It is recommended to write by multiple of 4 bytes in order to benefit from the maximum number of write cycles.

**Table 3. D.C. OPERATING CHARACTERISTICS**

( $V_{CC} = 1.8$  V to 5.5 V,  $T_A = -40$ °C to +85°C and  $V_{CC} = 2.5$  V to 5.5 V,  $T_A = -40$ °C to +125°C, unless otherwise specified.)

| Symbol    | Parameter          | Test Conditions                        | Min                      | Max            | Units   |
|-----------|--------------------|--|--------------------------|----------------|---------|
| $I_{CCR}$ | Read Current       | Read, $f_{SCL} = 400$ kHz/1 MHz        |                          | 1              | mA      |
| $I_{CCW}$ | Write Current      |  |                          | 3              | mA      |
| $I_{SB}$  | Standby Current    | All I/O Pins at GND or $V_{CC}$        | $T_A = -40$ °C to +85°C  | 2              | $\mu$ A |
|           |                    |  | $T_A = -40$ °C to +125°C | 5              |         |
| $I_L$     | I/O Pin Leakage    | Pin at GND or $V_{CC}$                 | $T_A = -40$ °C to +85°C  | 1              | $\mu$ A |
|           |                    |  | $T_A = -40$ °C to +125°C | 2              |         |
| $V_{IL1}$ | Input Low Voltage  | $2.5$ V $\leq V_{CC} \leq 5.5$ V       | -0.5                     | $0.3 V_{CC}$   | V       |
| $V_{IL2}$ | Input Low Voltage  | $1.8$ V $\leq V_{CC} < 2.5$ V          | -0.5                     | $0.25 V_{CC}$  | V       |
| $V_{IH1}$ | Input High Voltage | $2.5$ V $\leq V_{CC} \leq 5.5$ V       | $0.7 V_{CC}$             | $V_{CC} + 0.5$ | V       |
| $V_{IH2}$ | Input High Voltage | $1.8$ V $\leq V_{CC} < 2.5$ V          | $0.75 V_{CC}$            | $V_{CC} + 0.5$ | V       |
| $V_{OL1}$ | Output Low Voltage | $V_{CC} \geq 2.5$ V, $I_{OL} = 3.0$ mA |                          | 0.4            | V       |
| $V_{OL2}$ | Output Low Voltage | $V_{CC} < 2.5$ V, $I_{OL} = 1.0$ mA    |                          | 0.2            | V       |

Product parametric performance is indicated in the Electrical Characteristics for the listed test conditions, unless otherwise noted. Product performance may not be indicated by the Electrical Characteristics if operated under different conditions.

**Table 4. PIN IMPEDANCE CHARACTERISTICS**

( $V_{CC} = 1.8$  V to 5.5 V,  $T_A = -40$ °C to +85°C and  $V_{CC} = 2.5$  V to 5.5 V,  $T_A = -40$ °C to +125°C, unless otherwise specified.)

| Symbol                 | Parameter   | Conditions                        | Max | Units   |
|------------------------|---|-----------------------------------|-----|---------|
| $C_{IN}$ (Note 5)      | SDA I/O Pin Capacitance                                     | $V_{IN} = 0$ V                    | 8   | pF      |
| $C_{IN}$ (Note 5)      | Input Capacitance (other pins)                              | $V_{IN} = 0$ V                    | 6   | pF      |
| $I_{WP}, I_A$ (Note 6) | WP Input Current, Address Input Current ( $A_0, A_1, A_2$ ) | $V_{IN} < V_{IH}, V_{CC} = 5.5$ V | 75  | $\mu$ A |
|                        |   | $V_{IN} < V_{IH}, V_{CC} = 3.3$ V | 50  |         |
|                        |   | $V_{IN} < V_{IH}, V_{CC} = 1.8$ V | 25  |         |
|                        |   | $V_{IN} > V_{IH}$                 | 2   |         |

- These parameters are tested initially and after a design or process change that affects the parameter according to appropriate AEC-Q100 and JEDEC test methods.

- When not driven, the WP,  $A_0, A_1, A_2$  pins are pulled down to GND internally. For improved noise immunity, the internal pull-down is relatively strong; therefore the external driver must be able to supply the pull-down current when attempting to drive the input HIGH. To conserve power, as the input level exceeds the trip point of the CMOS input buffer ( $\sim 0.5 \times V_{CC}$ ), the strong pull-down reverts to a weak current source.

# CAT24C256

**Table 5. A.C. TEST CONDITIONS**

|                           |   |
|---------------------------|---|
| Input Levels              | $0.2 \times V_{CC}$ to $0.8 \times V_{CC}$  |
| Input Rise and Fall Times | $\leq 50$ ns  |
| Input Reference Levels    | $0.3 \times V_{CC}$ , $0.7 \times V_{CC}$   |
| Output Reference Levels   | $0.5 \times V_{CC}$   |
| Output Load               | Current Source: $I_L = 3$ mA ( $V_{CC} \geq 2.5$ V); $I_L = 1$ mA ( $V_{CC} < 2.5$ V); $C_L = 100$ pF |

**Table 6. A.C. CHARACTERISTICS** (Note 7)

( $V_{CC} = 1.8$  V to 5.5 V,  $T_A = -40^\circ\text{C}$  to  $+85^\circ\text{C}$  and  $V_{CC} = 2.5$  V to 5.5 V,  $T_A = -40^\circ\text{C}$  to  $+125^\circ\text{C}$ , unless otherwise specified.)

| Symbol                   | Parameter                                  | Standard<br>$V_{CC} = 1.8$ V – 5.5 V |       | Fast<br>$V_{CC} = 1.8$ V – 5.5 V |     | Fast-Plus<br>$V_{CC} = 2.5$ V – 5.5 V<br>$T_A = -40^\circ\text{C}$ to $+85^\circ\text{C}$ |       | Units         |
|--------------------------|--|--------------------------------------|-------|----------------------------------|-----|---|-------|---------------|
|                          |  | Min                                  | Max   | Min                              | Max | Min   | Max   |               |
| $F_{SCL}$                | Clock Frequency                            |                                      | 100   |                                  | 400 |   | 1,000 | kHz           |
| $t_{HD:STA}$             | START Condition Hold Time                  | 4                                    |       | 0.6                              |     | 0.25  |       | $\mu\text{s}$ |
| $t_{LOW}$                | Low Period of SCL Clock                    | 4.7                                  |       | 1.3                              |     | 0.45  |       | $\mu\text{s}$ |
| $t_{HIGH}$               | High Period of SCL Clock                   | 4                                    |       | 0.6                              |     | 0.40  |       | $\mu\text{s}$ |
| $t_{SU:STA}$             | START Condition Setup Time                 | 4.7                                  |       | 0.6                              |     | 0.25  |       | $\mu\text{s}$ |
| $t_{HD:DAT}$             | Data In Hold Time                          | 0                                    |       | 0                                |     | 0   |       | $\mu\text{s}$ |
| $t_{SU:DAT}$             | Data In Setup Time                         | 250                                  |       | 100                              |     | 50  |       | ns            |
| $t_R$ (Note 8)           | SDA and SCL Rise Time                      |                                      | 1,000 |                                  | 300 |   | 100   | ns            |
| $t_F$ (Note 8)           | SDA and SCL Fall Time                      |                                      | 300   |                                  | 300 |   | 100   | ns            |
| $t_{SU:STO}$             | STOP Condition Setup Time                  | 4                                    |       | 0.6                              |     | 0.25  |       | $\mu\text{s}$ |
| $t_{BUF}$                | Bus Free Time Between STOP and START       | 4.7                                  |       | 1.3                              |     | 0.5   |       | $\mu\text{s}$ |
| $t_{AA}$                 | SCL Low to Data Out Valid                  |                                      | 3.5   |                                  | 0.9 |   | 0.40  | $\mu\text{s}$ |
| $t_{DH}$                 | Data Out Hold Time                         | 50                                   |       | 50                               |     | 50  |       | ns            |
| $T_i$ (Note 8)           | Noise Pulse Filtered at SCL and SDA Inputs |                                      | 50    |                                  | 50  |   | 50    | ns            |
| $t_{SU:WP}$              | WP Setup Time                              | 0                                    |       | 0                                |     | 0   |       | $\mu\text{s}$ |
| $t_{HD:WP}$              | WP Hold Time                               | 2.5                                  |       | 2.5                              |     | 1   |       | $\mu\text{s}$ |
| $t_{WR}$                 | Write Cycle Time                           |                                      | 5     |                                  | 5   |   | 5     | ms            |
| $t_{PU}$<br>(Notes 8, 9) | Power-up to Ready Mode                     |                                      | 1     |                                  | 1   | 0.1   | 1     | ms            |

7. Test conditions according to "A.C. Test Conditions" table.

8. Tested initially and after a design or process change that affects this parameter.

9.  $t_{PU}$  is the delay between the time  $V_{CC}$  is stable and the device is ready to accept commands.

## Power-On Reset (POR)

The device will power up into Standby mode after  $V_{CC}$  exceeds the POR trigger level and will power down into Reset mode when  $V_{CC}$  drops below the POR trigger level.

*This bi-directional POR behavior protects the device against brown-out failure, following a temporary loss of power.*

## Pin Description

**SCL:** The Serial Clock input pin accepts the Serial Clock signal generated by the Master.

**SDA:** The Serial Data I/O pin receives input data and transmits data stored in EEPROM. In transmit mode, this pin is open drain. Data is acquired on the positive edge, and is delivered on the negative edge of SCL.

**A<sub>0</sub>, A<sub>1</sub> and A<sub>2</sub>:** The Address pins accept the device address. These pins have on-chip pull-down resistors.

**WP:** The Write Protect input pin inhibits all write operations, when pulled HIGH. This pin has an on-chip pull-down resistor.

## Functional Description

The CAT24C256 supports the Inter-Integrated Circuit (I<sup>2</sup>C) Bus data transmission protocol, which defines a device that sends data to the bus as a transmitter and a device receiving data as a receiver. Data flow is controlled by a Master device, which generates the serial clock and all START and STOP conditions. The CAT24C256 acts as a Slave device. Master and Slave alternate as either transmitter or receiver. Up to 8 devices may be connected to the bus as determined by the device address inputs A<sub>0</sub>, A<sub>1</sub>, and A<sub>2</sub>.

## I<sup>2</sup>C Bus Protocol

The I<sup>2</sup>C bus consists of two ‘wires’, SCL and SDA. The two wires are connected to the  $V_{CC}$  supply via pull-up resistors. Master and Slave devices connect to the 2-wire bus via their respective SCL and SDA pins. The transmitting device pulls down the SDA line to ‘transmit’ a ‘0’ and releases it to ‘transmit’ a ‘1’.

Data transfer may be initiated only when the bus is not busy (see A.C. Characteristics).

During data transfer, the SDA line must remain stable while the SCL line is HIGH. An SDA transition while SCL is HIGH will be interpreted as a START or STOP condition (Figure 2).

## START

The START condition precedes all commands. It consists of a HIGH to LOW transition on SDA while SCL is HIGH. The START acts as a ‘wake-up’ call to all receivers. Absent a START, a Slave will not respond to commands.

## STOP

The STOP condition completes all commands. It consists of a LOW to HIGH transition on SDA while SCL is HIGH. The STOP starts the internal Write cycle (when following a Write command) or sends the Slave into standby mode (when following a Read command).

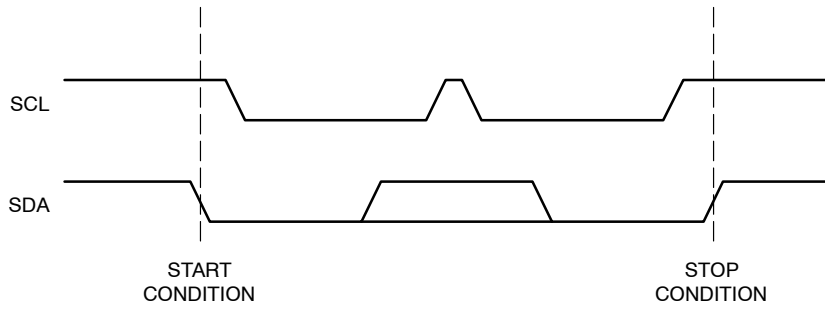
## Device Addressing

The Master initiates data transfer by creating a START condition on the bus. The Master then broadcasts an 8-bit serial Slave address. The first 4 bits of the Slave address are set to 1010, for normal Read/Write operations (Figure 3). The next 3 bits, A<sub>2</sub>, A<sub>1</sub> and A<sub>0</sub>, select one of 8 possible Slave devices. The last bit, R/W, specifies whether a Read (1) or Write (0) operation is to be performed.

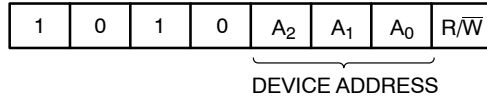
## Acknowledge

After processing the Slave address, the Slave responds with an acknowledge (ACK) by pulling down the SDA line during the 9th clock cycle (Figure 4). The Slave will also acknowledge the byte address and every data byte presented in Write mode. In Read mode the Slave shifts out a data byte, and then releases the SDA line during the 9th clock cycle. If the Master acknowledges the data, then the Slave continues transmitting. The Master terminates the session by not acknowledging the last data byte (NoACK) and by sending a STOP to the Slave. Bus timing is illustrated in Figure 5.

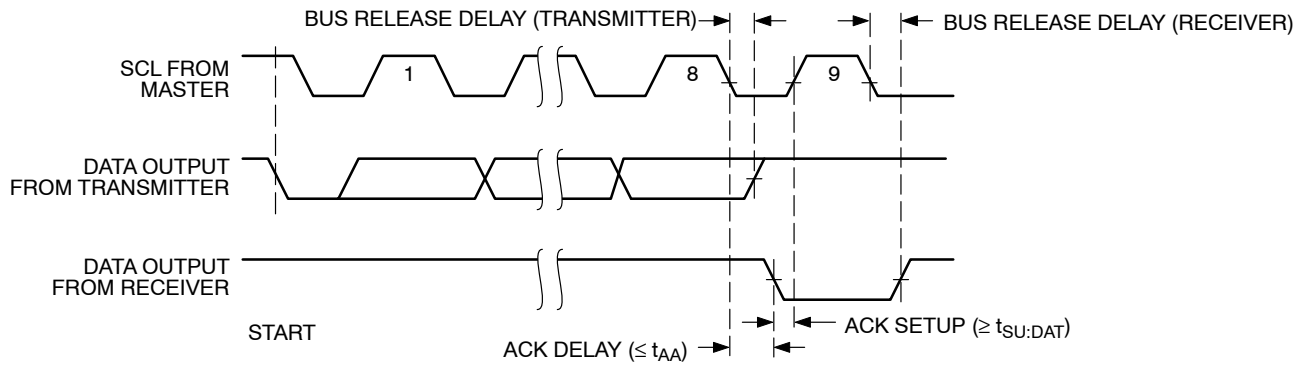
# CAT24C256



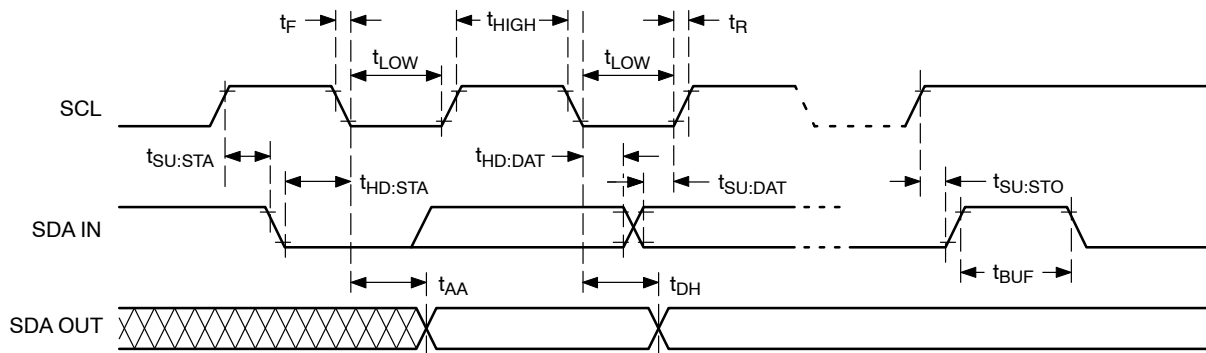
**Figure 2. Start/Stop Timing**



**Figure 3. Slave Address Bits**



**Figure 4. Acknowledge Timing**



**Figure 5. Bus Timing**

# CAT24C256

## WRITE OPERATIONS

### Byte Write

In Byte Write mode the Master sends a START, followed by Slave address, two byte address and data to be written (Figure 6). The Slave acknowledges all 4 bytes, and the Master then follows up with a STOP, which in turn starts the internal Write operation (Figure 7). During internal Write, the Slave will not acknowledge any Read or Write request from the Master.

### Page Write

The CAT24C256 contains 32,768 bytes of data, arranged in 512 pages of 64 bytes each. A two byte address word, following the Slave address, points to the first byte to be written. The most significant bit of the address word is 'don't care', the next 9 bits identify the page and the last 6 bits identify the byte within the page. Up to 64 bytes can be written in one Write cycle (Figure 8).

The internal byte address counter is automatically incremented after each data byte is loaded. If the Master transmits more than 64 data bytes, then earlier bytes will be overwritten by later bytes in a 'wrap-around' fashion

(within the selected page). The internal Write cycle starts immediately following the STOP.

### Acknowledge Polling

Acknowledge polling can be used to determine if the CAT24C256 is busy writing or is ready to accept commands. Polling is implemented by interrogating the device with a 'Selective Read' command (see READ OPERATIONS).

The CAT24C256 will not acknowledge the Slave address, as long as internal Write is in progress.

### Hardware Write Protection

With the WP pin held HIGH, the entire memory is protected against Write operations. If the WP pin is left floating or is grounded, it has no impact on the operation of the CAT24C256. The state of the WP pin is strobed on the last falling edge of SCL immediately preceding the first data byte (Figure 9). If the WP pin is HIGH during the strobe interval, the CAT24C256 will not acknowledge the data byte and the Write request will be rejected.

### Delivery State

The CAT24C256 is shipped erased, i.e., all bytes are FFh.

# CAT24C256

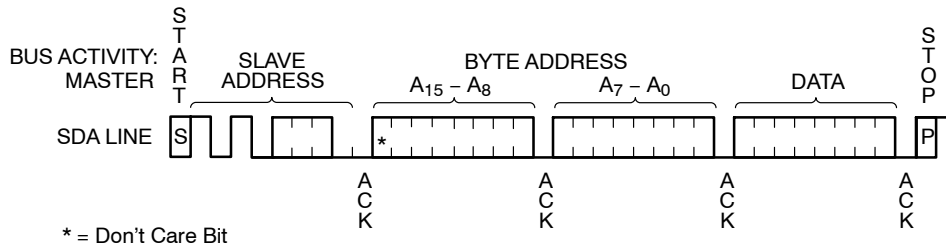


Figure 6. Byte Write Timing

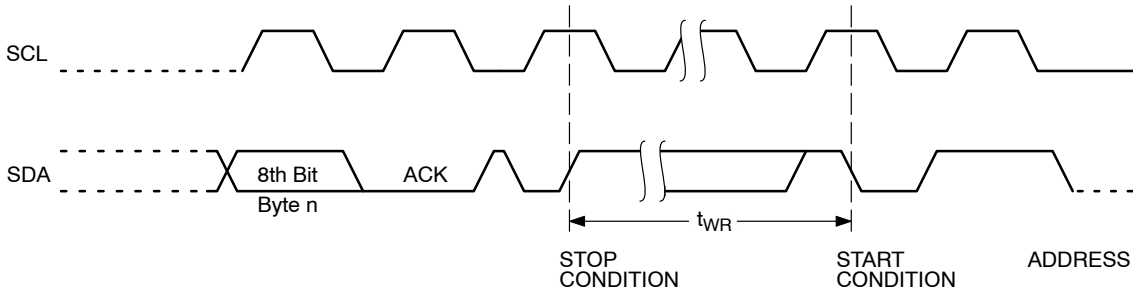


Figure 7. Write Cycle Timing

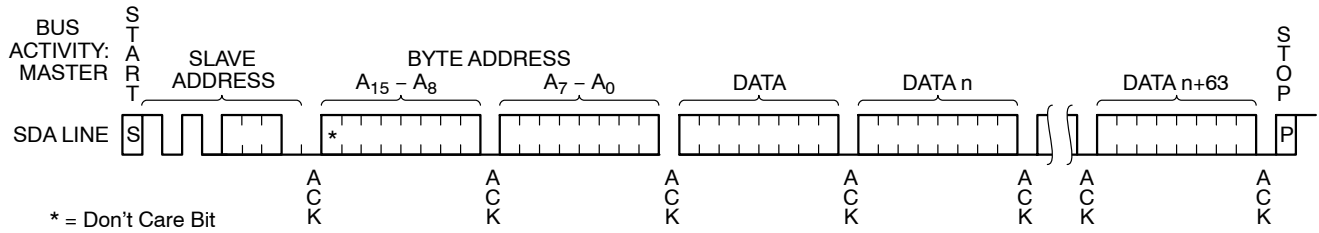


Figure 8. Page Write Timing

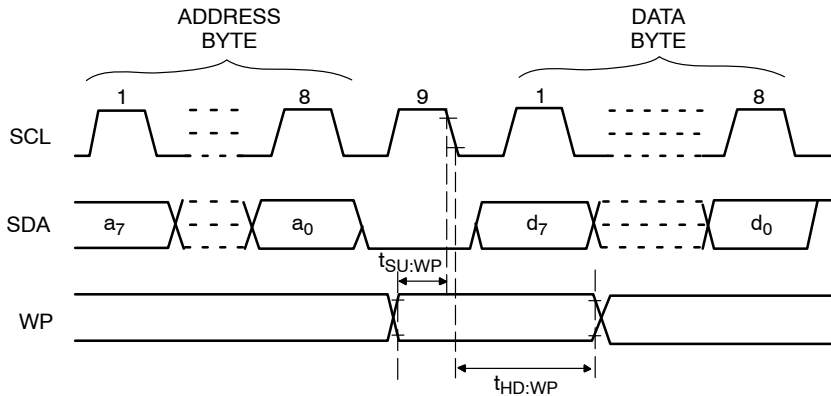


Figure 9. WP Timing

# CAT24C256

## READ OPERATIONS

### Immediate Address Read

In standby mode, the CAT24C256 internal address counter points to the data byte immediately following the last byte accessed by a previous operation. If that 'previous' byte was the last byte in memory, then the address counter will point to the 1st memory byte, etc.

When, following a START, the CAT24C256 is presented with a Slave address containing a '1' in the R/W bit position (Figure 10), it will acknowledge (ACK) in the 9th clock cycle, and will then transmit data being pointed at by the internal address counter. The Master can stop further transmission by issuing a NoACK, followed by a STOP condition.

### Selective Read

The Read operation can also be started at an address different from the one stored in the internal address counter.

The address counter can be initialized by performing a 'dummy' Write operation (Figure 11). Here the START is followed by the Slave address (with the R/W bit set to '0') and the desired two byte address. Instead of following up with data, the Master then issues a 2nd START, followed by the 'Immediate Address Read' sequence, as described earlier.

### Sequential Read

If the Master acknowledges the 1st data byte transmitted by the CAT24C256, then the device will continue transmitting as long as each data byte is acknowledged by the Master (Figure 12). If the end of memory is reached during sequential Read, then the address counter will 'wrap-around' to the beginning of memory, etc. Sequential Read works with either 'Immediate Address Read' or 'Selective Read', the only difference being the starting byte address.

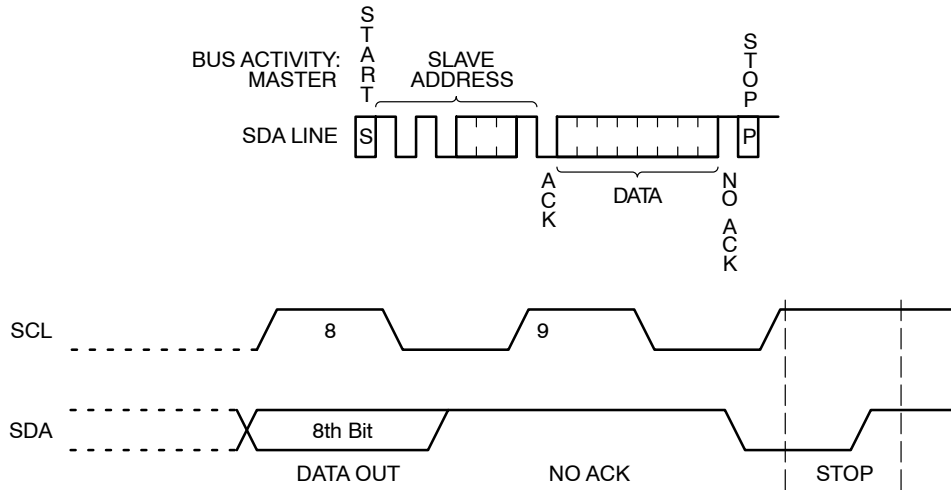


Figure 10. Immediate Address Read Timing

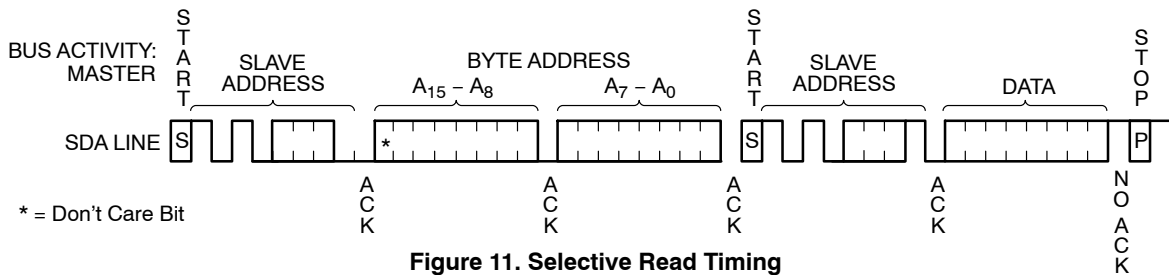


Figure 11. Selective Read Timing

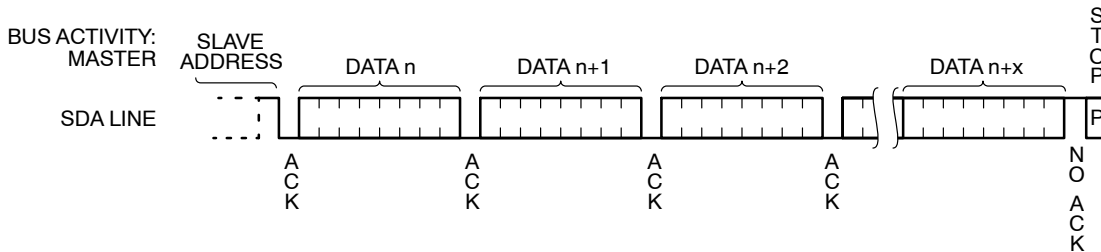


Figure 12. Sequential Read Timing



# CAT24C256

## ORDERING INFORMATION

| Device Order Number | Device Marking | Package Type  | Temperature Range                  | Lead Finish | Shipping <sup>†</sup>              |
|---------------------|----------------|---------------|------------------------------------|-------------|------------------------------------|
| CAT24C256WI-GT3     | 24256E         | SOIC-8, JEDEC | I = Industrial<br>(-40°C to +85°C) | NiPdAu      | Tape & Reel,<br>3,000 Units / Reel |
| CAT24C256YI-GT3     | C56E           | TSSOP-8       | I = Industrial<br>(-40°C to +85°C) | NiPdAu      | Tape & Reel,<br>3,000 Units / Reel |
| CAT24C256HU4IGT3    | C8U            | UDFN-8        | I = Industrial<br>(-40°C to +85°C) | NiPdAu      | Tape & Reel,<br>3,000 Units / Reel |

<sup>†</sup>For information on tape and reel specifications, including part orientation and tape sizes, please refer to our Tape and Reel Packaging Specifications Brochure, BRD8011/D.

10. All packages are RoHS-compliant (Lead-free, Halogen-free).

11. The standard lead finish is NiPdAu.

12. For additional package and temperature options, please contact your nearest **onsemi** Sales office.

13. For information on tape and reel specifications, including part orientation and tape sizes, please refer to our Tape and Reel Packaging Specifications Brochure, BRD8011/D.

14. For detailed information and a breakdown of device nomenclature and numbering systems, please see the **onsemi** Device Nomenclature document, TND310/D, available at [www.onsemi.com](http://www.onsemi.com)

**onsemi** is licensed by Philips Corporation to carry the I<sup>2</sup>C Bus Protocol.

# MECHANICAL CASE OUTLINE

## PACKAGE DIMENSIONS

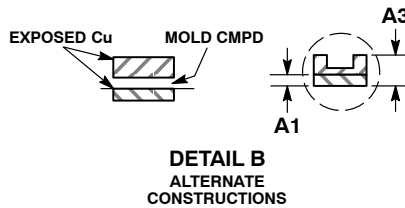
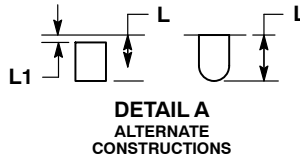
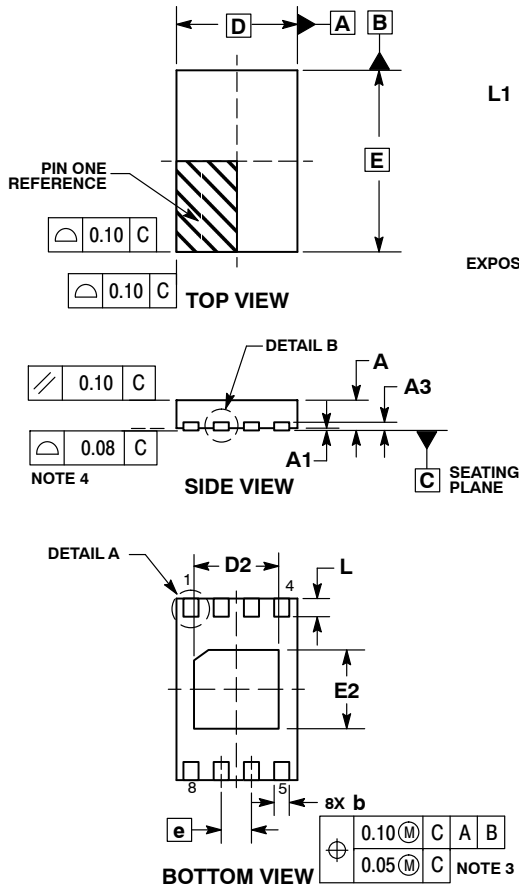
ON Semiconductor®



SCALE 2:1

### UDFN8, 2x3 EXTENDED PAD CASE 517AZ ISSUE A

DATE 23 MAR 2015

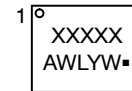


**NOTES:**

1. DIMENSIONING AND TOLERANCING PER ASME Y14.5M, 1994.
2. CONTROLLING DIMENSION: MILLIMETERS.
3. DIMENSION b APPLIES TO PLATED TERMINAL AND IS MEASURED BETWEEN 0.15 AND 0.25MM FROM THE TERMINAL TIP.
4. COPLANARITY APPLIES TO THE EXPOSED PAD AS WELL AS THE TERMINALS.

| DIM | MILLIMETERS |      |
|-----|-------------|------|
|     | MIN         | MAX  |
| A   | 0.45        | 0.55 |
| A1  | 0.00        | 0.05 |
| A3  | 0.13 REF    |      |
| b   | 0.20        | 0.30 |
| D   | 2.00 BSC    |      |
| D2  | 1.35        | 1.45 |
| E   | 3.00 BSC    |      |
| E2  | 1.25        | 1.35 |
| e   | 0.50 BSC    |      |
| L   | 0.25        | 0.35 |
| L1  | ---         | 0.15 |

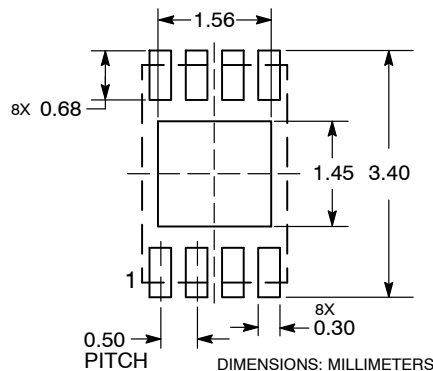
### GENERIC MARKING DIAGRAM\*



- XXXXX = Specific Device Code
- A = Assembly Location
- WL = Wafer Lot
- Y = Year
- W = Work Week
- = Pb-Free Package

\*This information is generic. Please refer to device data sheet for actual part marking. Pb-Free indicator, "G" or microdot "▪", may or may not be present.

### RECOMMENDED SOLDERING FOOTPRINT\*



\*For additional information on our Pb-Free strategy and soldering details, please download the ON Semiconductor Soldering and Mounting Techniques Reference Manual, SOLDERRM/D.

|                         |                                |  |
|-------------------------|--------------------------------|--|
| <b>DOCUMENT NUMBER:</b> | <b>98AON42552E</b>             | Electronic versions are uncontrolled except when accessed directly from the Document Repository. Printed versions are uncontrolled except when stamped "CONTROLLED COPY" in red. |
| <b>DESCRIPTION:</b>     | <b>UDFN8, 2X3 EXTENDED PAD</b> | <b>PAGE 1 OF 1</b>   |

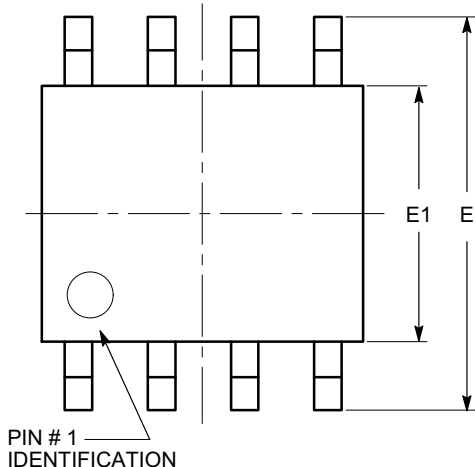
ON Semiconductor and ON are trademarks of Semiconductor Components Industries, LLC dba ON Semiconductor or its subsidiaries in the United States and/or other countries. ON Semiconductor reserves the right to make changes without further notice to any products herein. ON Semiconductor makes no warranty, representation or guarantee regarding the suitability of its products for any particular purpose, nor does ON Semiconductor assume any liability arising out of the application or use of any product or circuit, and specifically disclaims any and all liability, including without limitation special, consequential or incidental damages. ON Semiconductor does not convey any license under its patent rights nor the rights of others.

**MECHANICAL CASE OUTLINE**  
**PACKAGE DIMENSIONS**



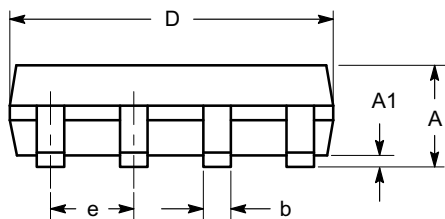
**SOIC-8, 150 mils**  
**CASE 751BD**  
**ISSUE O**

DATE 19 DEC 2008

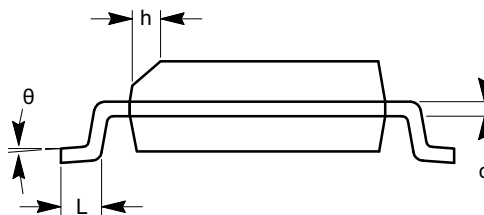


**TOP VIEW**

| SYMBOL   | MIN      | NOM | MAX  |
|----------|----------|-----|------|
| A        | 1.35     |     | 1.75 |
| A1       | 0.10     |     | 0.25 |
| b        | 0.33     |     | 0.51 |
| c        | 0.19     |     | 0.25 |
| D        | 4.80     |     | 5.00 |
| E        | 5.80     |     | 6.20 |
| E1       | 3.80     |     | 4.00 |
| e        | 1.27 BSC |     |      |
| h        | 0.25     |     | 0.50 |
| L        | 0.40     |     | 1.27 |
| $\theta$ | 0°       |     | 8°   |



**SIDE VIEW**



**END VIEW**

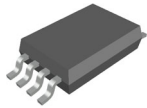
**Notes:**

- (1) All dimensions are in millimeters. Angles in degrees.
- (2) Complies with JEDEC MS-012.

|                         |                         |   |
|-------------------------|-------------------------|---|
| <b>DOCUMENT NUMBER:</b> | <b>98AON34272E</b>      | Electronic versions are uncontrolled except when accessed directly from the Document Repository.<br>Printed versions are uncontrolled except when stamped "CONTROLLED COPY" in red. |
| <b>DESCRIPTION:</b>     | <b>SOIC 8, 150 MILS</b> | <b>PAGE 1 OF 1</b>  |

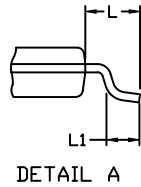
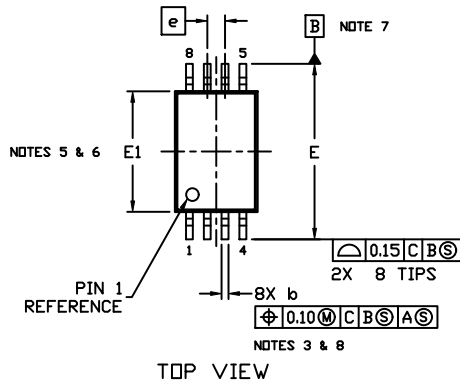
onsemi and onsemi are trademarks of Semiconductor Components Industries, LLC dba onsemi or its subsidiaries in the United States and/or other countries. onsemi reserves the right to make changes without further notice to any products herein. onsemi makes no warranty, representation or guarantee regarding the suitability of its products for any particular purpose, nor does onsemi assume any liability arising out of the application or use of any product or circuit, and specifically disclaims any and all liability, including without limitation special, consequential or incidental damages. onsemi does not convey any license under its patent rights nor the rights of others.

# MECHANICAL CASE OUTLINE PACKAGE DIMENSIONS



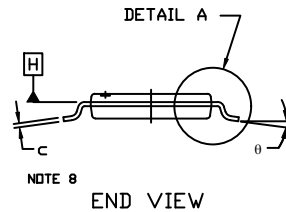
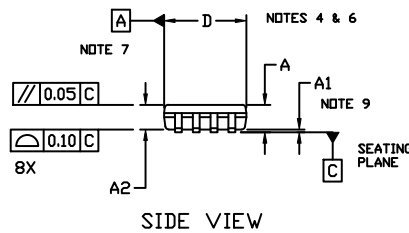
TSSOP8, 4.4x3.0, 0.65P  
CASE 948AL  
ISSUE A

DATE 20 MAY 2022



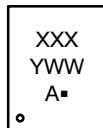
NOTES:

1. DIMENSIONING AND TOLERANCING PER ASME Y14.5, 2009..
2. CONTROLLING DIMENSION: MILLIMETERS
3. DIMENSION *b* DOES NOT INCLUDE DAMBAR PROTRUSION. ALLOWABLE PROTRUSION SHALL NOT BE 0.15 IN EXCESS OF MAXIMUM MATERIAL CONDITION.
4. DIMENSION *D* DOES NOT INCLUDE MOLD FLASH, PROTRUSIONS OR GATE BURRS. MOLD FLASH, PROTRUSIONS OR GATE BURRS SHALL NOT EXCEED 0.15 PER SIDE.
5. DIMENSION *E1* DOES NOT INCLUDE INTERLEAD FLASH OR PROTRUSION. INTERLEAD FLASH OR PROTRUSION SHALL NOT EXCEED 0.25 PER SIDE.
6. THE PACKAGE TOP MAY BE SMALLER THAN THE PACKAGE BOTTOM. DIMENSIONS *D* AND *E1* ARE DETERMINED AT THE OUTERMOST EXTREMES OF THE PLASTIC BODY AT DATUM PLANE *H*.
7. DATUMS *A* AND *B* ARE TO BE DETERMINED AT DATUM *H*.
8. DIMENSIONS *b* AND *c* APPLY TO THE FLAT SECTION OF THE LEAD BETWEEN 0.10 AND 0.25 FROM THE LEAD TIP..
9. *A1* IS DEFINED AS THE LOWEST VERTICAL DISTANCE FROM THE SEATING PLANE TO THE LOWEST POINT ON THE PACKAGE BODY..



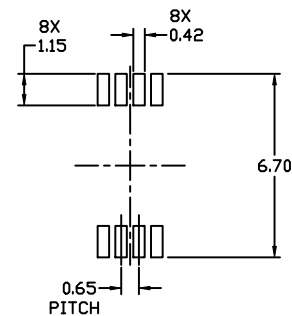
| DIM      | MILLIMETERS |      |      |
|----------|-------------|------|------|
|          | MIN.        | NOM. | MAX. |
| A        | ---         | ---  | 1.20 |
| A1       | 0.05        | ---  | 0.15 |
| A2       | 0.80        | 0.90 | 1.05 |
| <i>b</i> | 0.19        | ---  | 0.30 |
| <i>c</i> | 0.09        | ---  | 0.20 |
| D        | 2.90        | 3.00 | 3.10 |
| E        | 6.30        | 6.40 | 6.50 |
| E1       | 4.30        | 4.40 | 4.50 |
| <i>e</i> | 0.65 BSC    |      |      |
| L        | 1.00 REF    |      |      |
| L1       | 0.50        | 0.60 | 0.70 |
| $\theta$ | 0°          | ---  | 8°   |

GENERIC  
MARKING DIAGRAM\*



- XXX = Specific Device Code
- Y = Year
- WW = Work Week
- A = Assembly Location
- = Pb-Free Package

\*This information is generic. Please refer to device data sheet for actual part marking. Pb-Free indicator, "G" or microdot "▪", may or may not be present. Some products may not follow the Generic Marking.



\* For additional information on our Pb-Free strategy and soldering details, please download the ON Semiconductor Soldering and Mounting Techniques Reference Manual, SOLDERRM/D.

|                  |                        |  |
|------------------|------------------------|--|
| DOCUMENT NUMBER: | 98AON34428E            | Electronic versions are uncontrolled except when accessed directly from the Document Repository. Printed versions are uncontrolled except when stamped "CONTROLLED COPY" in red. |
| DESCRIPTION:     | TSSOP8, 4.4X3.0, 0.65P | PAGE 1 OF 1  |

onsemi and ONSEMI are trademarks of Semiconductor Components Industries, LLC dba onsemi or its subsidiaries in the United States and/or other countries. onsemi reserves the right to make changes without further notice to any products herein. onsemi makes no warranty, representation or guarantee regarding the suitability of its products for any particular purpose, nor does onsemi assume any liability arising out of the application or use of any product or circuit, and specifically disclaims any and all liability, including without limitation special, consequential or incidental damages. onsemi does not convey any license under its patent rights nor the rights of others.

**onsemi**, **Onsemi**, and other names, marks, and brands are registered and/or common law trademarks of Semiconductor Components Industries, LLC dba "**onsemi**" or its affiliates and/or subsidiaries in the United States and/or other countries. **onsemi** owns the rights to a number of patents, trademarks, copyrights, trade secrets, and other intellectual property. A listing of **onsemi**'s product/patent coverage may be accessed at [www.onsemi.com/site/pdf/Patent-Marking.pdf](http://www.onsemi.com/site/pdf/Patent-Marking.pdf). **onsemi** reserves the right to make changes at any time to any products or information herein, without notice. The information herein is provided "as-is" and **onsemi** makes no warranty, representation or guarantee regarding the accuracy of the information, product features, availability, functionality, or suitability of its products for any particular purpose, nor does **onsemi** assume any liability arising out of the application or use of any product or circuit, and specifically disclaims any and all liability, including without limitation special, consequential or incidental damages. Buyer is responsible for its products and applications using **onsemi** products, including compliance with all laws, regulations and safety requirements or standards, regardless of any support or applications information provided by **onsemi**. "Typical" parameters which may be provided in **onsemi** data sheets and/or specifications can and do vary in different applications and actual performance may vary over time. All operating parameters, including "Typicals" must be validated for each customer application by customer's technical experts. **onsemi** does not convey any license under any of its intellectual property rights nor the rights of others. **onsemi** products are not designed, intended, or authorized for use as a critical component in life support systems or any FDA Class 3 medical devices or medical devices with a same or similar classification in a foreign jurisdiction or any devices intended for implantation in the human body. Should Buyer purchase or use **onsemi** products for any such unintended or unauthorized application, Buyer shall indemnify and hold **onsemi** and its officers, employees, subsidiaries, affiliates, and distributors harmless against all claims, costs, damages, and expenses, and reasonable attorney fees arising out of, directly or indirectly, any claim of personal injury or death associated with such unintended or unauthorized use, even if such claim alleges that **onsemi** was negligent regarding the design or manufacture of the part. **onsemi** is an Equal Opportunity/Affirmative Action Employer. This literature is subject to all applicable copyright laws and is not for resale in any manner.

## ADDITIONAL INFORMATION

### TECHNICAL PUBLICATIONS:

Technical Library: [www.onsemi.com/design/resources/technical-documentation](http://www.onsemi.com/design/resources/technical-documentation)  
onsemi Website: [www.onsemi.com](http://www.onsemi.com)

### ONLINE SUPPORT: [www.onsemi.com/support](http://www.onsemi.com/support)

For additional information, please contact your local Sales Representative at [www.onsemi.com/support/sales](http://www.onsemi.com/support/sales)