

## DS92LV1260 Six Channel 10 Bit BLVDS Deserializer

 Check for Samples: [DS92LV1260](#)

### FEATURES

- Deserializes One to Six BusLVDS Input Serial Data Streams with Embedded Clocks
- Seven Selectable Serial Inputs to Support n+1 Redundancy of Deserialized Streams
- Seventh Channel has Single Pin Monitor Output That Reflects Input From Seventh Channel Input
- Parallel Clock Rate up to 40MHz
- On Chip Filtering for PLL
- Absolute Maximum Worst Case Power Dissipation = 1.9W at 3.6V
- High Impedance Inputs Upon Power Off ( $V_{CC} = 0V$ )
- Single Power Supply at +3.3V
- 196-pin NFBGA Package (Low-profile Ball Grid Array) Package
- Industrial Temperature Range Operation:  $-40^{\circ}C$  to  $+85^{\circ}C$

### DESCRIPTION

The DS92LV1260 integrates six deserializer devices into a single chip. The chip uses a 0.25u CMOS process technology. The DS92LV1260 can simultaneously deserialize up to six data streams that have been serialized by the Texas Instruments DS92LV1021 or DS92LV1023 Bus LVDS serializers. The device also includes a seventh serial input channel that serves as a redundant input.

Each deserializer block in the DS92LV1260 operates independently with its own clock recovery circuitry and lock-detect signaling.

The DS92LV1260 uses a single +3.3V power supply with a typical power dissipation of 1.2W at 3.3V with a PRBS-15 pattern. Refer to the Connection Diagrams for packaging information.

### Block Diagram

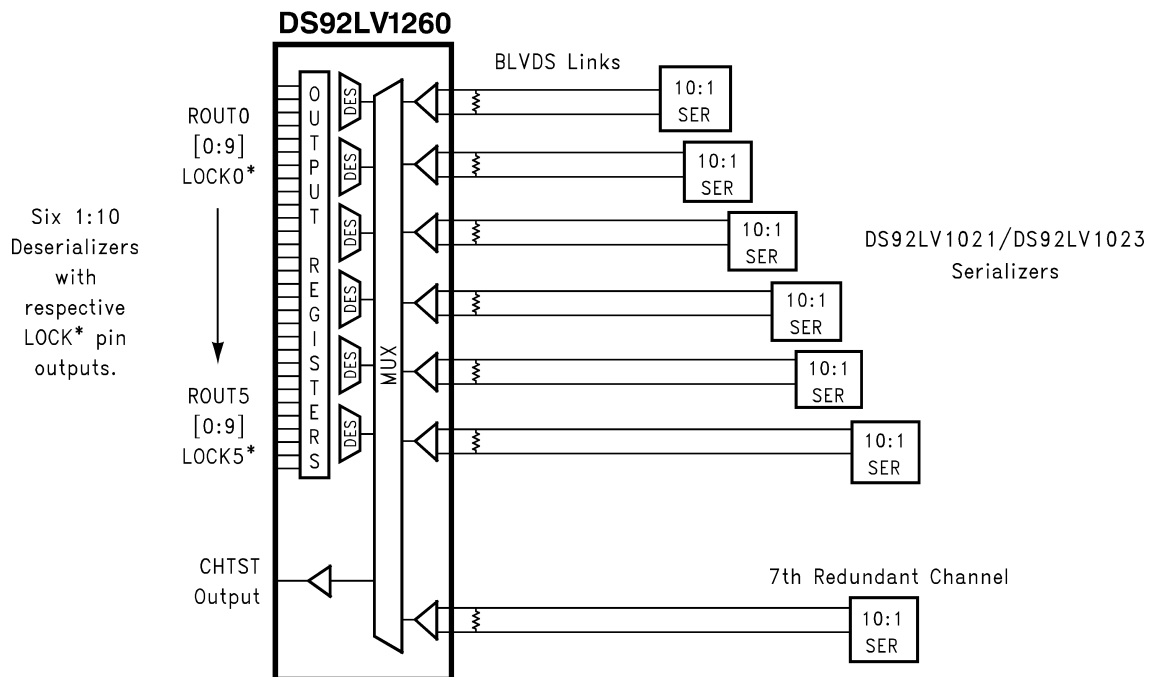


Figure 1. Application



Please be aware that an important notice concerning availability, standard warranty, and use in critical applications of Texas Instruments semiconductor products and disclaimers thereto appears at the end of this data sheet.

All trademarks are the property of their respective owners.



These devices have limited built-in ESD protection. The leads should be shorted together or the device placed in conductive foam during storage or handling to prevent electrostatic damage to the MOS gates.

### Absolute Maximum Ratings <sup>(1)(2)</sup>

|   |                 |
|---|-----------------|
| Supply Voltage ( $V_{CC}$ )             | -0.3 to 4V      |
| Bus LVDS Input Voltage ( $R_{in} +/-$ ) | -0.3V to 3.9V   |
| Maximum Package Power Dissipation @25°C | 3.7W            |
| Package Thermal Resistance              |                 |
| $\theta_{JA}$ 196 NFBGA:                | 34°C/W          |
| $\theta_{JC}$ 196 NFBGA:                | 8°C/W           |
| Storage Temp. Range                     | -65°C to +150°C |
| Junction Temperature                    | +150°C          |
| Lead Temperature (Soldering 10 Sec)     | +225°C          |
| ESD Rating:                             |                 |
| Human Body Model                        | >3KV            |
| Machine Model                           | >750V           |
| Reliability Information                 |                 |
| Transistor Count                        | 35,682          |

- (1) "Absolute Maximum Ratings" are those values beyond which the safety of the device cannot be specified. They are not meant to imply that the devices should be operated at these limits. The table of "Electrical Characteristics" specifies conditions of device operation.  
 (2) If Military/Aerospace specified devices are required, please contact the TI Sales Office/ Distributors for availability and specifications.

### Recommended Operating Conditions

|  |                |
|--|----------------|
| Supply Voltage ( $V_{CC}$ )              | 3.0V to 3.6V   |
| Operating Free Air Temperature ( $T_A$ ) | -40°C to +85°C |
| Operating Frequency                      | 16-40 MHz      |

### Electrical Characteristics <sup>(1)</sup>

Basic functionality and specifications per deserializer channel will be similar to DS92LV1212A. Over recommended operating supply and temperature ranges unless otherwise specified. <sup>(2)</sup>

| Parameter                              |                              | Test Conditions                                  | Pin/Freq.  | Min | Typ    | Max      | Units |
|--|------------------------------|--|--|-----|--------|----------|-------|
| <b>LVCMOS/LVTTL DC Specifications:</b> |                              |  |  |     |        |          |       |
| $V_{IH}$                               | High Level Input Voltage     |  | REN, REFCLK, PWRDWN, SEL (0:2), R <sub>OUT</sub> | 2.0 |        | $V_{CC}$ | V     |
| $V_{IL}$                               | Low Level Input Voltage      |  |  | GND |        | 0.8      | V     |
| $V_{CL}$                               | Input Clamp Voltage          |  |  |     | -0.87  | -1.5     | V     |
| $I_{IN}$                               | Input Current                | $V_{in} = 0$ or 3.6V                             |  | -10 |        | +10      | µA    |
| $V_{OH}$                               | High Level Output Voltage    | $I_{OH} = -6mA$                                  | R <sub>out</sub> , RCLK, LOCK                    | 2   | 3      | $V_{CC}$ | V     |
| $V_{OL}$                               | Low Level Output Voltage     | $I_{OL} = 6mA$                                   |  | GND | 0.18   | 0.4      | V     |
| $I_{OS}$                               | Output short Circuit Current | $V_{out} = 0V$ , <sup>(3)</sup>                  |  | -15 | -46    | -85      | mA    |
| $I_{OZ}$                               | TRI-STATE Output Current     | PWRDWN or REN = 0.8V, $V_{out} = 0V$ or $V_{CC}$ |  | -10 | +/-0.2 | +10      | µA    |

- (1) Current into the device pins is defined as positive. Current out of device pins is defined as negative. Voltage are referenced to ground except  $V_{TH}$  and  $V_{TL}$  which are differential voltages.  
 (2) Typical values are given for  $V_{CC} = 3.3V$  and  $T_A = 25°C$   
 (3) Only one output should be shorted at a time. Do not exceed maximum package power dissipation capacity.

**Electrical Characteristics<sup>(1)</sup> (continued)**

Basic functionality and specifications per deserializer channel will be similar to DS92LV1212A. Over recommended operating supply and temperature ranges unless otherwise specified.<sup>(2)</sup>

| Parameter                                     | Test Conditions   | Pin/Freq.  | Min  | Typ                      | Max                     | Units |    |
|---|---|--|--|--------------------------|-------------------------|-------|----|
| <b>Bus LVDS DC specifications</b>             |   |  |  |                          |                         |       |    |
| $V_{TH}$                                      | Differential Threshold High Voltage                     | RI+, RI-   |  | +3                       | +50                     | mV    |    |
| $V_{TL}$                                      | Differential Threshold Low Voltage                      |  |  | -50                      | -2                      | mV    |    |
| $I_{IN}$                                      | Input Current   |  | $V_{in} = +2.4V$ ,<br>$V_{cc} = 3.6$ or $0V$ | -10                      | +/- 1                   | +10   | uA |
|   |   | $V_{in} = 0V$ ,<br>$V_{cc} = 3.6$ or $0V$          | -10  | +/- 1                    | +10                     | uA    |    |
| <b>Supply Current</b>                         |   |  |  |                          |                         |       |    |
| $I_{CCR}$                                     | Worst Case Supply Current                               | 3.6V, 40 MHz,<br>Checker Board<br>Pattern, CL=15pF |  | 460                      | 530                     | mA    |    |
| $I_{CCXR}$                                    | Supply Current when Powered Down                        | PWRDN= 0.8V<br>REN = 0.8V                          |  | 0.36                     | 1                       | mA    |    |
| <b>Timing Requirements for REFCLK</b>         |   |  |  |                          |                         |       |    |
| $t_{RFCP}$                                    | REFCLK Period   |  | 25   |                          | 62.5                    | ns    |    |
| $t_{RFDC}$                                    | REFCLK Duty Cycle                                       |  | 40   | 50                       | 60                      | %     |    |
| $t_{RFCP}/t_{TCP}$                            | Ratio of REFCLK to TCLK                                 |  | 0.95   |                          | 1.05                    |       |    |
| $t_{RFTT}$                                    | REFCLK Transition Time                                  |  |  |                          | 8                       | ns    |    |
| <b>Deserializer Switching Characteristics</b> |   |  |  |                          |                         |       |    |
| $t_{RCP}$                                     | RCLK Period   | RCLK   | 25   |                          | 62.5                    | ns    |    |
| $t_{RDC}$                                     | RCLK Duty Cycle   |  | 43   | 50                       | 55                      | %     |    |
| $t_{CHTST}$                                   | Period of Bus LVDS signal when CHTST is selected by MUX | See <sup>(4)</sup>                                 | 25   |                          |                         | ns    |    |
| $t_{CLH}$                                     | CMOS/TTL Low-to-High Transition Time                    | Rout,<br>LOCK,<br>RCLK                             |  | 1.7                      | 6                       | ns    |    |
| $t_{CHL}$                                     | CMOS/TTL High-to-Low Transition Time                    |  |  | 1.6                      | 6                       | ns    |    |
| $t_{ROS}$                                     | Rout Data Valid before RCLK                             |  | See Figure 3                                 | $0.4 \cdot t_{RCP}$      |                         |       | ns |
| $t_{ROH}$                                     | Rout Data Valid after RCLK                              |  | See Figure 3                                 | -<br>$0.4 \cdot t_{RCP}$ |                         |       | ns |
| $t_{HZR}$                                     | High to TRI-STATE Delay                                 |  |  |                          |                         | 10    | ns |
| $t_{LZR}$                                     | Low to TRI-STATE Delay                                  |  |  |                          |                         | 10    | ns |
| $t_{ZHR}$                                     | TRI-STATE to High Delay                                 |  |  |                          |                         | 12    | ns |
| $t_{ZLR}$                                     | TRI-STATE to Low Delay                                  |  |  |                          |                         | 12    | ns |
| $t_{DD}$                                      | Deserializer Delay                                      | See Figure 2                                       | $1.75 \cdot t_{CP+5}$                        | $1.75 \cdot t_{RCP+7}$   | $1.75 \cdot t_{RCP+10}$ | ns    |    |
|   |   | Room Temp<br>3.3V<br>40MHz                         | $1.75 \cdot t_{CP+6}$                        | $1.75 \cdot t_{RCP+7}$   | $1.75 \cdot t_{RCP+9}$  | ns    |    |
| $t_{DSR1}$                                    | Deserializer PLL LOCK Time from PWRDN (with SYNCPAT)    | See Figure 4                                       | 40MHz  |                          | 3                       | us    |    |
|   |   | See <sup>(5)</sup>                                 | 20MHz  |                          | 10                      | us    |    |

(4) Because the Bus LVDS serial data stream is not decoded, the maximum frequency of the CHTST output driver could be exceeded if the data stream were switched to CHTST. The maximum frequency of the BUS LVDS input should not exceed the parallel clock rate.

(5) For the purpose of specifying deserializer PLL performance  $t_{DSR1}$  and  $t_{DSR2}$  are specified with the REFCLK running and stable, and specific conditions of the incoming data stream (SYNCPATs).  $t_{DSR1}$  is the time required for the deserializer to indicate lock upon power-up or when leaving the power-down mode.  $t_{DSR2}$  is the time required to indicate lock for the powered-up and enabled deserializer when the input (RI+ and RI-) conditions change from not receiving data to receiving synchronization patterns (SYNCPATs). The time to lock to random data is dependent upon the incoming data.

### Electrical Characteristics<sup>(1)</sup> (continued)

Basic functionality and specifications per deserializer channel will be similar to DS92LV1212A. Over recommended operating supply and temperature ranges unless otherwise specified.<sup>(2)</sup>

| Parameter  | Test Conditions   | Pin/Freq. | Min  | Typ  | Max | Units |
|------------|---|-----------|------|------|-----|-------|
| $t_{DSR2}$ | Deserializer PLL Lock Time from SYNCPAT<br>See <a href="#">Figure 5</a><br>See <sup>(5)</sup> | 40MHz     |      |      | 2   | us    |
|            |   | 20MHz     |      |      | 5   | us    |
| $t_{RNM}$  | Deserializer Noise Margin<br>See <sup>(6)</sup>   | 40MHz     | 450  | 920  |     | ps    |
|            |   | 20MHz     | 1200 | 1960 |     | ps    |

(6)  $t_{RNM}$  is a measure of how much phase noise (jitter) the deserializer can tolerate in the incoming data stream before bit errors occur. The Deserializer Noise Margin is Specified By Design (GBD) using statistical analysis.

### AC Timing Diagrams and Test Circuits

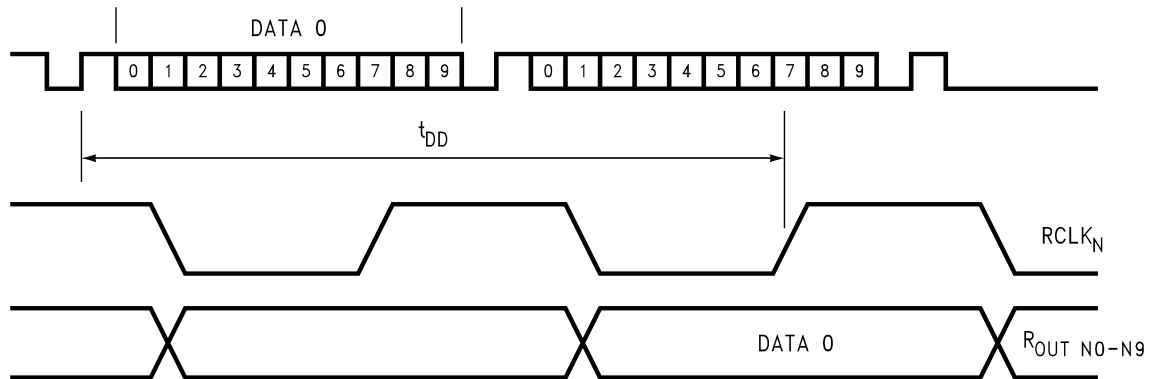


Figure 2. Deserializer Delay  $t_{DD}$

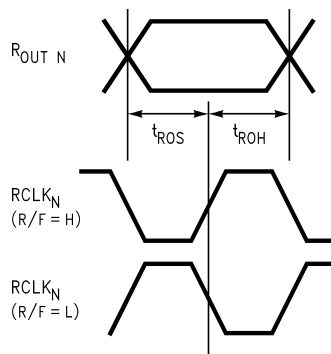


Figure 3. Output Timing  $t_{ROS}$  and  $t_{ROH}$

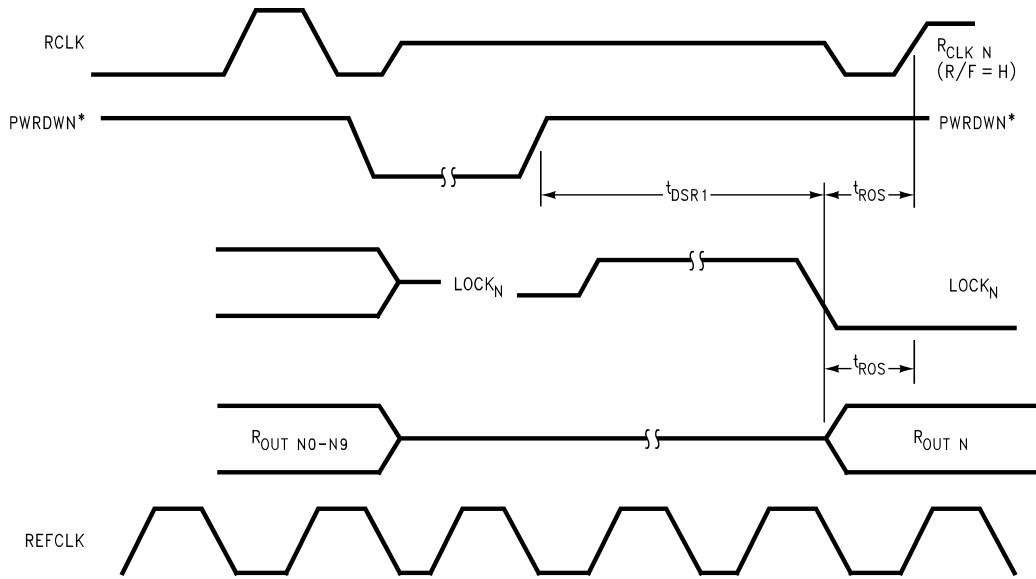


Figure 4. Locktime from PWRDWN\* t<sub>DSR1</sub>

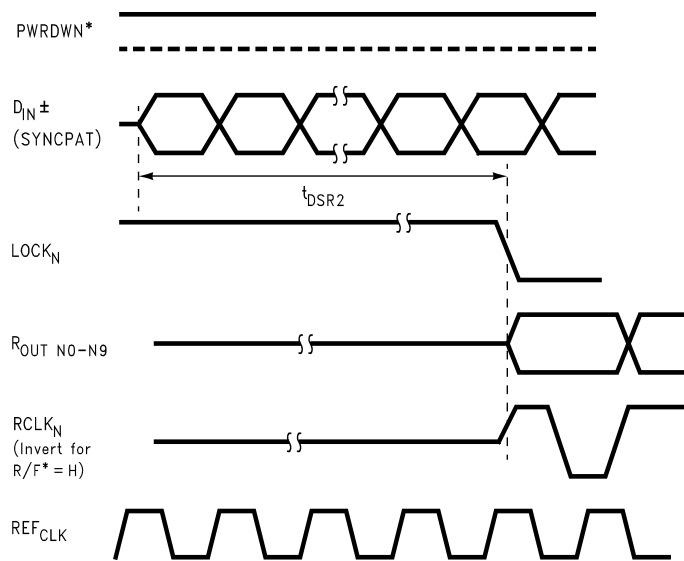


Figure 5. Locktime to SYNCPAT t<sub>DSR2</sub>

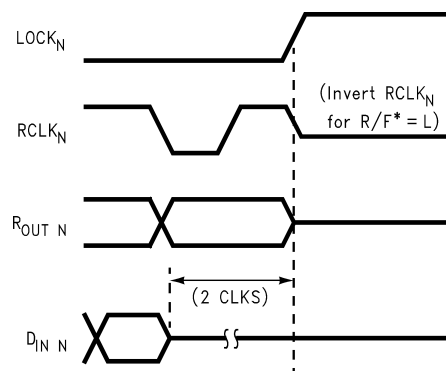
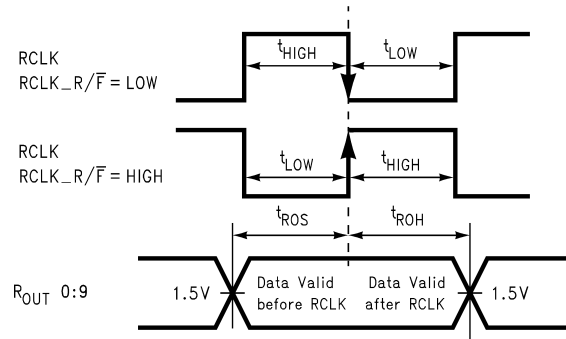
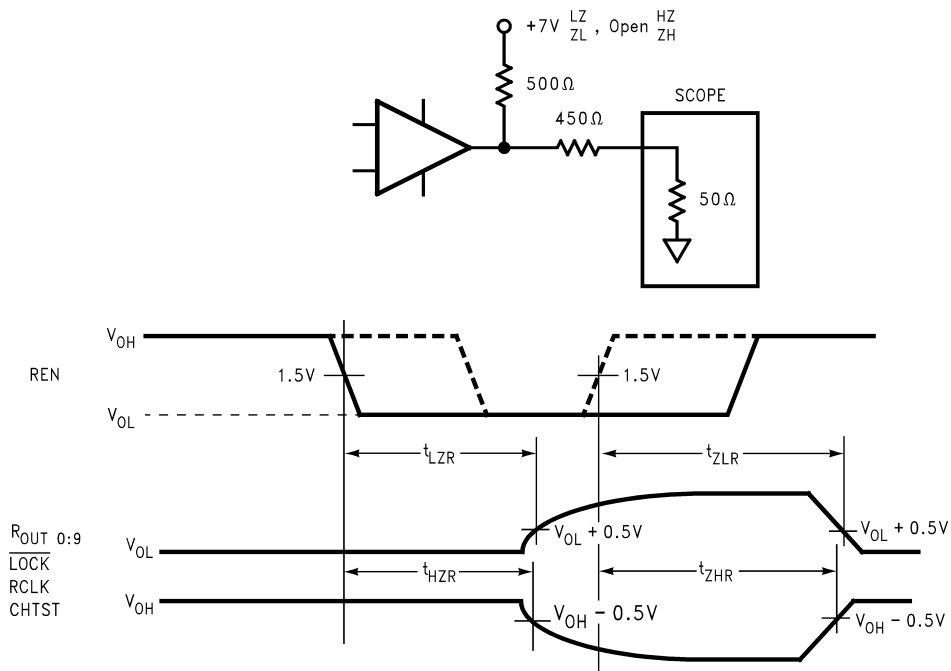


Figure 6. Unlock

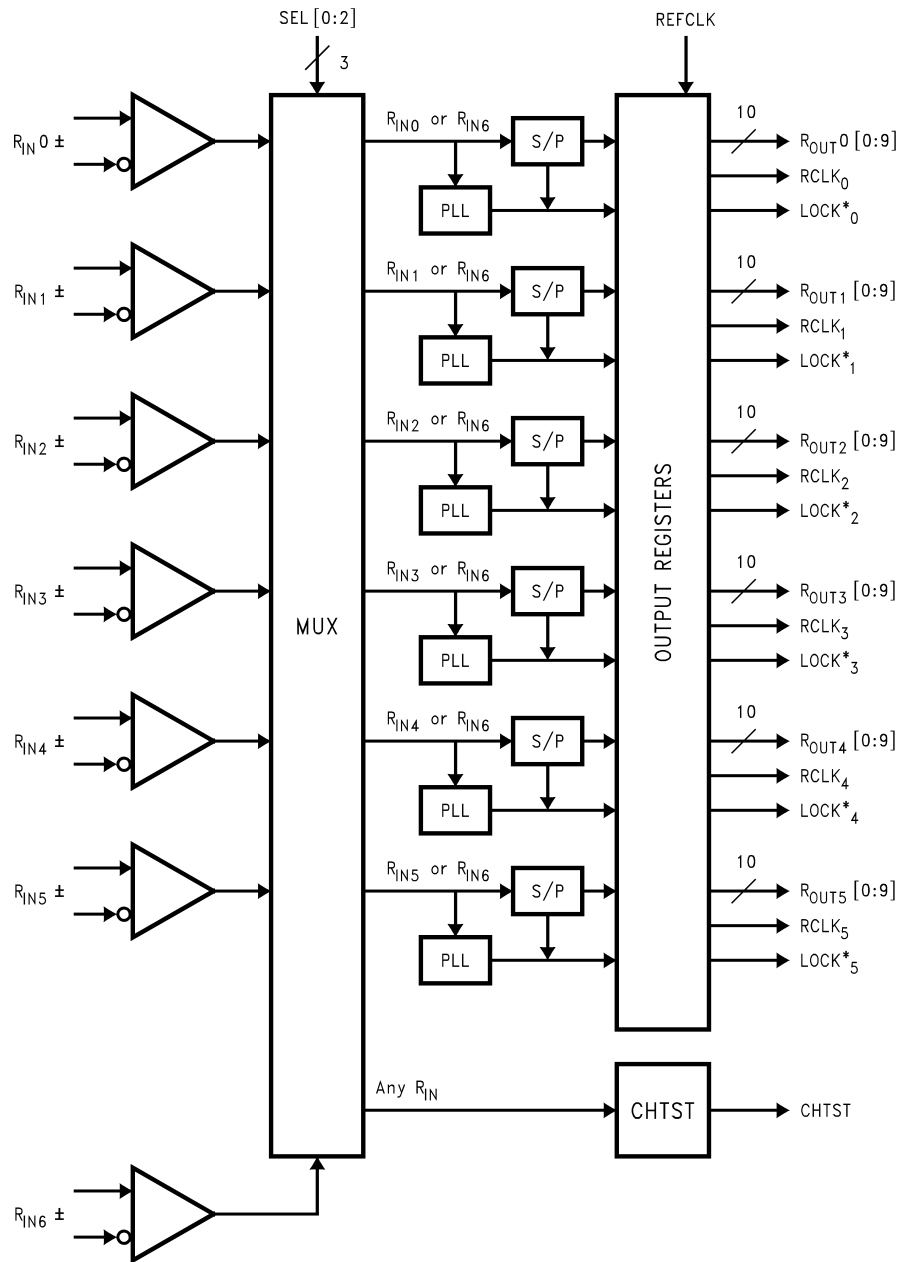


**Figure 7. Deserializer Data Valid Out Times**



**Figure 8. Deserializer TRI-STATE Test Circuit and Timing**

Block Diagram



**Control Pins Truth Table<sup>(1)</sup>**

| PWRDN | REN | SEL2 | SEL1 | SEL0 | Rout  | CHTST              | LOCK[0:5]             | RCLK[0:5]                 |
|-------|-----|------|------|------|---|--------------------|-----------------------|---------------------------|
| H     | H   | L    | L    | L    | Din6 Decoded to Rout 0 (0:9) <sup>(2)</sup> | Din0 (not decoded) | Active <sup>(3)</sup> | Active <sup>(4)</sup> (2) |
| H     | H   | L    | L    | H    | Din6 Decoded to Rout 1 (0:9) <sup>(2)</sup> | Din1 (not decoded) | Active <sup>(3)</sup> | Active <sup>(4)</sup> (2) |
| H     | H   | L    | H    | L    | Din6 Decoded to Rout 2 (0:9) <sup>(2)</sup> | Din2 (not decoded) | Active <sup>(3)</sup> | Active <sup>(4)</sup> (2) |
| H     | H   | L    | H    | H    | Din6 Decoded to Rout 3 (0:9) <sup>(2)</sup> | Din3 (not decoded) | Active <sup>(3)</sup> | Active <sup>(4)</sup> (2) |
| H     | H   | H    | L    | L    | Din6 Decoded to Rout 4 (0:9) <sup>(2)</sup> | Din4 (not decoded) | Active <sup>(3)</sup> | Active <sup>(4)</sup> (2) |
| H     | H   | H    | L    | H    | Din6 Decoded to Rout 5 (0:9) <sup>(2)</sup> | Din5 (not decoded) | Active <sup>(3)</sup> | Active <sup>(4)</sup> (2) |
| H     | H   | H    | H    | L    | Din6 is not Decoded                         | Z                  | Active <sup>(3)</sup> | Active <sup>(4)</sup> (2) |
| H     | H   | H    | H    | H    | Din6 is not Decoded                         | Din6 (not decoded) | Active <sup>(3)</sup> | Active <sup>(4)</sup> (2) |
| L     | X   | X    | X    | X    | Z   | Z                  | Z                     | Z                         |
| H     | L   | X    | X    | X    | Z   | Z                  | Active <sup>(3)</sup> | Z                         |

- (1) The routing of the Din inputs to the Deserializers and to the CHTST outputs are dependent on the states of SEL [0:2].
- (2) Rout n[0:9] and RCLK [0:5] are Tri-Stated when LOCKn[0:5] is High.
- (3) LOCK Active indicates that the LOCK output will reflect the state of it's respective Deserializer with regard to the selected data stream.
- (4) RCLK Active indicates that the RCLK will be running if the Deserializer is locked. The timing of RCLK [0:5] with respect to Rout [0:5][0:9] is determined by RCLK\_R/F [Figure 6](#)

## FUNCTIONAL DESCRIPTION

The DS92LV1260 combines six 1:10 deserializers into a single chip. Each of the six deserializers accepts a BusLVDS data stream from Texas Instruments' DS92LV1021 or DS92LV1023 Serializer. The deserializers then recover the clock and data to deliver the resulting 10-bit wide words to the outputs. A seventh serial data input provides n+1 redundancy capability. The user can program the seventh input to be an alternative input to any of the six deserializers. Whichever input is replaced by the seventh input is then routed to the CHANNEL TEST (CHTST) pin on receiver output port.

Each of the 6 channels acts completely independent of each other. Each independent channel has outputs for a 10-bit wide data word, the recovered clock out, and the lock-detect output.

The DS92LV1260 has three operating states: Initialization, Data Transfer, and Resynchronization. In addition, there are two passive states: Powerdown and TRI-STATE.

The following sections describe each operating mode and passive state.

### Initialization

Before the DS92LV1260 receives and deserializes data, it and the transmitting serializer devices must initialize the link. Initialization refers to synchronizing the Serializer's and the Deserializer's PLL's to local clocks. The local clocks must be the same frequency or within a specified range if from different sources. After all devices synchronize to local clocks, the Deserializers synchronize to the Serializers as the second and final initialization step.



Step 1: After applying power to the Deserializer, the outputs are held in TRI-STATE and the on-chip power-sequencing circuitry disables the internal circuits. When  $V_{cc}$  reaches  $V_{ccOK}$  (2.1V), the PLL in each deserializer begins locking to the local clock (REFCLK). A local on-board oscillator or other source provides the specified clock input to the REFCLK pin.

Step 2: The Deserializer PLL must synchronize to the Serializer to complete the initialization. Refer to the Serializer data sheet for the proper operation during this step of the Initialization State. The Deserializer identifies the rising clock edge in a synchronization pattern or random data and after 80 clock cycles will synchronize to the data stream from the serializer. At the point where the Deserializer's PLL locks to the embedded clock, the LOCKn pin goes low and valid data appears on the output. Note that this differs from previous deserializers where the LOCKn signal was not synchronous to valid data appearing on the outputs.

## Data Transfer

After initialization, the serializer transfers data to the deserializers. The serial data stream includes a start and stop bit appended by the serializer, which frame the ten data bits. The start bit is always high and the stop bit is always low. The start and stop bits also function as clock bits embedded in the serial stream.

The Serializer transmits the data and clock bits (10+2 bits) at 12 times the TCLK frequency. For example, if TCLK is 40 MHz, the serial rate is  $40 \times 12 = 480$  Mbps. Since only 10 bits are from input data, the serial 'payload' rate is 10 times the TCLK frequency. For instance, if TCLK = 40 MHz, the payload data is  $40 \times 10 = 400$  Mbps. TCLK is provided by the data source and must be in the range 20 MHz to 40 MHz nominal.

When one of six Deserializer channels synchronizes to the input from a Serializer, it drives its  $\overline{LOCKn}$  pin low and synchronously delivers valid data on the output. The Deserializer locks to the embedded clock, uses it to generate multiple internal data strobes, and drives the embedded clock to the RCLKn pin. The RCLKn is synchronous to the data on the ROUT[n0:n9] pins. While  $\overline{LOCKn}$  is low, data on ROUT [n0:n9] is valid. Otherwise, ROUT[n0:n9] is invalid.

All ROUT,  $\overline{LOCK}$ , and RCLK signals will drive a minimum of three CMOS input gates (15pF load) with a 40 MHz clock. This amount of drive allows bussing outputs of two Deserializers and a destination ASIC. REN controls TRI-STATE of all the outputs.

The Deserializer input pins are high impedance during Powerdown ( $\overline{PWRDN}$  low) and power-off ( $V_{cc} = 0V$ ).

## Resynchronization

Whenever one of the six Deserializers loses lock, it will automatically try to resynchronize. For example, if the embedded clock edge is not detected two times in succession, the PLL loses lock and the  $\overline{LOCKn}$  pin is driven high. The system must monitor the  $\overline{LOCKn}$  pin to determine when data is valid.

The user has the choice of allowing the deserializer to re-synch to the data stream or to force synchronization by pulsing the Serializer SYNC1 or SYNC2 pin. This scheme is left up to the user discretion. One recommendation is to provide a feedback loop using the  $\overline{LOCKn}$  pin itself to control the sync request of the Serializer (SYNC1 or SYNC2). Dual SYNC pins are given for multiple control in a multi-drop application.

## Powerdown

The Powerdown state is a low power sleep mode that the Serializer and Deserializer typically occupy while waiting for initialization, or to reduce power consumption when no data is transfers. The Deserializer enters Powerdown when  $\overline{PWRDN}$  is driven low. In Powerdown, the PLL stops and the outputs go into TRI-STATE, which reduces supply current to the microamp range. To exit Powerdown, the system drives  $\overline{PWRDN}$  high.

Upon exiting Powerdown, the Deserializer enters the Initialization state. The system must then allow time to Initialize before data transfer can begin.

## TRI-STATE

When the system drives REN pin low, the Deserializer enters TRI-STATE. This will TRI-STATE the receiver output pins (ROUT[00:59]) and RCLK[0:5]. When the system drives REN high, the Deserializer will return to the previous state as long as all other control pins remain static ( $\overline{PWRDN}$ , RCLK\_R/F).

## USING THE DS92LV1021 AND DS92LV1260

The DS92LV1260 combines six 1:10 deserializers into a single chip. Each of the six deserializers accepts a BusLVDS data stream up to 480 Mbps from Texas Instruments' DS92LV1021 or DS92LV1023 Serializer. The deserializers then recover the embedded two clock bits and data to deliver the resulting 10-bit wide words to the output. A seventh serial data input provides n+1 redundancy capability. The user can program the seventh input to be an alternative input to any of the six deserializers. Whichever input is replaced by the seventh input is then routed to the CHANNEL TEST (CHTST) pin on receiver output port. The Deserializer uses a separate reference clock (REFCLK) and an onboard PLL to extract the clock information from the incoming data stream and then deserialize the data. The Deserializer monitors the incoming clock information, determines lock status, and asserts the LOCKn output high when loss of lock occurs.

## POWER CONSIDERATIONS

An all CMOS design of the Deserializer makes it an inherently low power device.

## POWERING UP THE DESERIALIZER

The DS92LV1260 can be powered up at any time by following the proper sequence. The REFCLK input can be running before the Deserializer powers up, and it must be running in order for the Deserializer to lock to incoming data. The Deserializer outputs will remain in TRI-STATE until the Deserializer detects data transmission at its inputs and locks to the incoming data stream.

## TRANSMITTING DATA

Once you power up the Deserializer, it must be phase locked to the transmitter to transmit data. Phase locking occurs when the Deserializer locks to incoming data or when the Serializer sends sync patterns. The Serializer sends SYNC patterns whenever the SYNC1 or SYNC2 inputs are high. The LOCKn output of the Deserializer remains high until it has locked to the incoming data stream. Connecting the LOCKn output of the Deserializer to one of the SYNC inputs of the Serializer will ensure that enough SYNC patterns are sent to achieve Deserializer lock.

The Deserializer can also lock to incoming data by simply powering up the device and allowing the “random lock” circuitry to find and lock to the data stream.

## NOISE MARGIN

While the Deserializer LOCKn output is low, data at the Deserializer outputs (ROUT0-9) are valid, except for the specific case of loss of lock during transmission which is further discussed in the [RECOVERING FROM LOCK LOSS](#) section below.

The Deserializer noise margin is the amount of input jitter (phase noise) that the Deserializer can tolerate and still reliably receive data. Various environmental and systematic factors include:

Serializer: TCLK jitter,  $V_{CC}$  noise (noise bandwidth and out-of-band noise)

Media: ISI, Large  $V_{CM}$  shifts

Deserializer:  $V_{CC}$  noise

## RECOVERING FROM LOCK LOSS

In the case where the Deserializer loses lock during data transmission, up to 1 cycle of data that was previously received can be invalid. This is due to the delay in the lock detection circuit. The lock detect circuit requires that invalid clock information be received 2 times in a row to indicate loss of lock. Since clock information has been lost, it is possible that data was also lost during these cycles. Therefore, after the Deserializer relocks to the incoming data stream and the Deserializer LOCKn pin goes low, at least one previous data cycle should be suspect for bit errors.

The Deserializer can relock to the incoming data stream by making the Serializer resend SYNC patterns, as described above, or by random locking, which can take more time, depending on the data patterns being received.

## HOT INSERTION

All the BusLVDS devices are hot pluggable if you follow a few rules. When inserting, ensure the Ground pin(s) makes contact first, then the VCC pin(s), and then the I/O pins. When removing, the I/O pins should be unplugged first, then the VCC, then the Ground. Random lock hot insertion is illustrated in [Figure 12](#).

## TRANSMISSION MEDIA

The Serializer and Deserializer can also be used in point-to-point configurations, through PCB trace, or through twisted pair cable. In point-to-point configurations, the transmission media need only be terminated at the receiver end. Please note that in point-to-point configurations, the potential of offsetting the ground levels of the Serializer vs. the Deserializer must be considered. Also, Bus LVDS provides a +/- 1V common mode range at the receiver inputs.

## FAILSAFE BIASING FOR THE DS92LV1260

The DS92LV1260 has internal failsafe biasing and an improved input threshold sensitivity of +/- 50mV versus +/- 100mV for the DS92LV1210 or DS92LV1212. This allows for greater differential noise margin in the DS92LV1260. However, in cases where the receiver input is not being actively driven, the increased sensitivity of the DS92LV1260 can pickup noise as a signal and cause unintentional locking. For example, this can occur when the input cable is disconnected.

External resistors can be added to the receiver circuit board to prevent noise pick-up. Typically, the non-inverting receiver input is pulled up and the inverting receiver input is pulled down by high value resistors. The pull-up and pull-down resistors ( $R_1$  and  $R_2$ ) provide a current path through the termination resistor ( $R_L$ ) which biases the receiver inputs when they are not connected to an active driver. The value of the pull-up and pull-down resistors should be chosen so that enough current is drawn to provide a +15mV drop across the termination resistor. Please see [Figure 10](#) for the Failsafe Biasing Setup.

## PCB LAYOUT AND POWER SYSTEM CONSIDERATIONS

Circuit board layout and stack-up for the DS92LV1260 should be designed to provide noise-free power to the device. Good layout practice will separate high frequency or high level inputs and outputs to minimize unwanted stray noise pickup, feedback and interference. There are a few common practices which should be followed when designing PCB's for Bus LVDS Signaling. Recommended layout practices are:

- Use at least 4 PCB board layers (Bus LVDS signals, ground, power, and TTL signals).
  - Power system performance may be greatly improved by using thin dielectrics (4 to 10 mils) for power/ground sandwiches. This increases the intrinsic capacitance of the PCB power system which improves power supply filtering, especially at high frequencies, and makes the value and placement of external bypass capacitors less critical.
- Keep Serializers and Deserializers as close to the (Bus LVDS port side) connector as possible.
  - Longer stubs lower the impedance of the bus, increase the load on the Serializer, and lower the threshold margin at the Deserializers. Deserializer devices should be placed much less than one inch from slot connectors. Because transition times are very fast on the Serializer Bus LVDS outputs, reducing stub lengths as much as possible is the best method to ensure signal integrity.
- Bypass each Bus LVDS device and also use distributed bulk capacitance between power planes.
  - Surface mount capacitors placed close to power and ground pins work best. External bypass capacitors should include both RF ceramic and tantalum electrolytic types. RF capacitors may use values in the

range 0.001  $\mu\text{F}$  to 0.1  $\mu\text{F}$ . Tantalum capacitors may be in the range 2.2  $\mu\text{F}$  to 10  $\mu\text{F}$ . Voltage rating for tantalum capacitors should be at least 5X the power supply voltage being used. Randomly distributed bypass capacitors should also be used.

- Package and pin layout permitting, it is also recommended to use two vias at each power pin as well as all RF bypass capacitor terminals. Dual vias reduce the interconnect inductance between layers by up to half, thereby reducing interconnect inductance and extending the effective frequency range of the bypass components.
- The outer layers of the PCB may be flooded with additional ground planes. These planes will improve shielding and isolation as well as increase the intrinsic capacitance of the power supply plane system. Naturally, to be effective, these planes must be tied to the ground supply plane at frequent intervals with vias. Frequent via placement improves signal integrity on signal transmission lines by providing short paths for image currents, which reduces signal distortion. Depending on which is greater, the planes should be pulled back from all transmission lines and component mounting pads a distance equal to the width of the widest transmission line or the thickness of the dielectric separating the transmission line from the internal power or ground plane(s). Doing so minimizes effects on transmission line impedances and reduces unwanted parasitic capacitances at component mounting pads.
- Use a termination resistor which best matches the differential impedance of your transmission line.
- Leave unused Bus LVDS receiver inputs open (floating).
  - Limit traces on unused inputs to <0.5 inches.
- Isolate TTL signals from Bus LVDS signals.
- Use controlled impedance media.
  - The backplane and connectors should have a matched differential impedance.

For a typical application circuit, please see [Figure 9](#).

There are more common practices which should be followed when designing PCBs for LVDS signaling. General application guidelines and hints may be found in the following application notes: AN-808 ([SNLA028](#)), AN-903 ([SNLA034](#)), AN-971 ([SNLA165](#)), AN-977 ([SNLA166](#)), and AN-1108 ([SNLA008](#)). For packaging information on BGA's, please see AN-1126 ([SNOA021](#)).

### USING $t_{\text{DJIT}}$ AND $t_{\text{RNM}}$ TO VALIDATE SIGNAL QUALITY

The parameter  $t_{\text{RNM}}$  is calculated by first measuring how much of the ideal bit the receiver needs to ensure correct sampling. After determining this amount, what remains of the ideal bit that is available for external sources of noise is called  $t_{\text{RNM}}$ .

The vertical limits of the mask are determined by the DS92LV1260 receiver input threshold of  $\pm 50\text{mV}$ .

Please refer to the eye mask pattern of [Figure 11](#) for a graphic representation of  $t_{\text{DJIT}}$  and  $t_{\text{RNM}}$ .

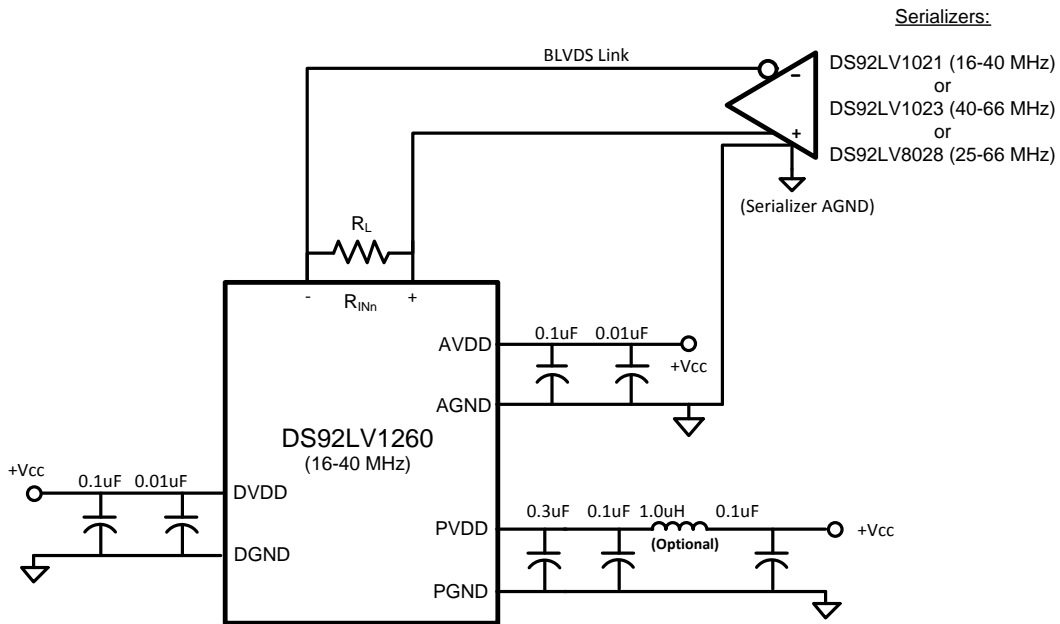


Figure 9. Typical Applications Circuit

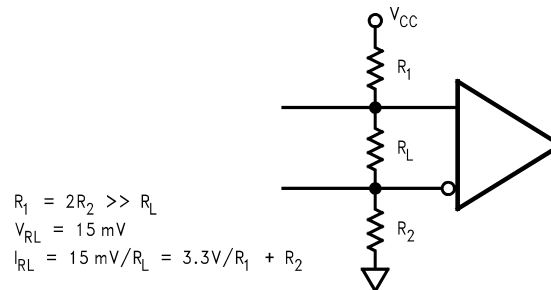


Figure 10. Failsafe Biasing Setup

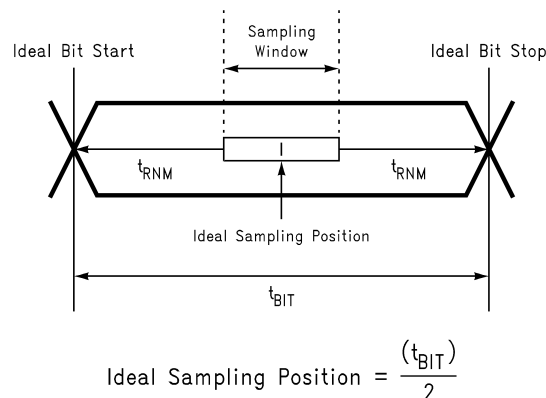


Figure 11. Using  $t_{DJIT}$  and  $t_{RNM}$  to Generate an Eye Pattern Mask and Validate Signal Quality

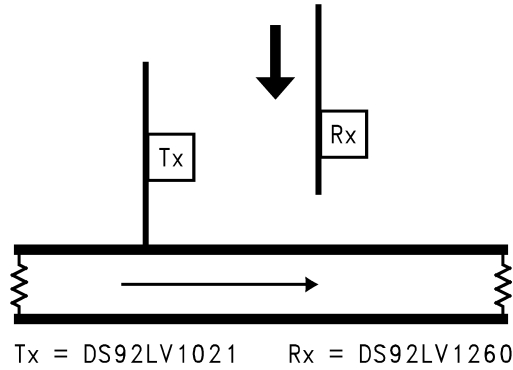


Figure 12. Random Lock Hot Insertion

Pin Diagram

|                     |                    |                               |                               |                               |                               |                               |                               |                               |                               |                               |                               |                               |                    |
|---------------------|--------------------|-------------------------------|-------------------------------|-------------------------------|-------------------------------|-------------------------------|-------------------------------|-------------------------------|-------------------------------|-------------------------------|-------------------------------|-------------------------------|--------------------|
| A1                  | A2                 | A3                            | A4                            | A5                            | A6                            | A7                            | A8                            | A9                            | A10                           | A11                           | A12                           | A13                           | A14                |
| DGND                | REN                | R <sub>IN0</sub> <sup>-</sup> | R <sub>IN0</sub> <sup>+</sup> | AGND                          | R <sub>IN2</sub> <sup>-</sup> | R <sub>IN2</sub> <sup>+</sup> | AGND                          | R <sub>IN4</sub> <sup>-</sup> | R <sub>IN4</sub> <sup>+</sup> | AV <sub>DD</sub>              | R <sub>IN6</sub> <sup>-</sup> | R <sub>IN6</sub> <sup>+</sup> | PGND               |
| B1                  | B2                 | B3                            | B4                            | B5                            | B6                            | B7                            | B8                            | B9                            | B10                           | B11                           | B12                           | B13                           | B14                |
| N/C                 | DGND               | DV <sub>DD</sub>              | REF <sub>CLK</sub>            | PWRDN*                        | AV <sub>DD</sub>              | AGND                          | AGND                          | AV <sub>DD</sub>              | N/C                           | AGND                          | PGND                          | SEL2                          | DGND               |
| C1                  | C2                 | C3                            | C4                            | C5                            | C6                            | C7                            | C8                            | C9                            | C10                           | C11                           | C12                           | C13                           | C14                |
| JTL2                | JTL1               | CHTST                         | RCLK <sub>R/F</sub> *         | R <sub>IN1</sub> <sup>-</sup> | R <sub>IN1</sub> <sup>+</sup> | AV <sub>DD</sub>              | R <sub>IN3</sub> <sup>-</sup> | R <sub>IN3</sub> <sup>+</sup> | R <sub>IN5</sub> <sup>-</sup> | R <sub>IN5</sub> <sup>+</sup> | SELO                          | SEL1                          | N/C                |
| D1                  | D2                 | D3                            | D4                            | D5                            | D6                            | D7                            | D8                            | D9                            | D10                           | D11                           | D12                           | D13                           | D14                |
| JTL3                | JTL4               | JTL5                          | N/C                           | DGND                          | DV <sub>DD</sub>              | DGND                          | N/C                           | N/C                           | PGND                          | N/C                           | PV <sub>DD</sub>              | LOCK <sub>5</sub> *           | N/C                |
| E1                  | E2                 | E3                            | E4                            | E5                            | E6                            | E7                            | E8                            | E9                            | E10                           | E11                           | E12                           | E13                           | E14                |
| PV <sub>DD</sub>    | R <sub>OUT09</sub> | N/C                           | R <sub>OUT08</sub>            | DGND                          | DV <sub>DD</sub>              | DV <sub>DD</sub>              | DGND                          | DV <sub>DD</sub>              | DV <sub>DD</sub>              | N/C                           | R <sub>OUT57</sub>            | R <sub>OUT58</sub>            | R <sub>OUT59</sub> |
| F1                  | F2                 | F3                            | F4                            | F5                            | F6                            | F7                            | F8                            | F9                            | F10                           | F11                           | F12                           | F13                           | F14                |
| PV <sub>DD</sub>    | RCLK <sub>0</sub>  | LOCK <sub>0</sub> *           | R <sub>OUT07</sub>            | DGND                          | DGND                          | DV <sub>DD</sub>              | DGND                          | DGND                          | DV <sub>DD</sub>              | N/C                           | AV <sub>DD</sub>              | RCLK <sub>5</sub>             | PV <sub>DD</sub>   |
| G1                  | G2                 | G3                            | G4                            | G5                            | G6                            | G7                            | G8                            | G9                            | G10                           | G11                           | G12                           | G13                           | G14                |
| PGND                | PGND               | R <sub>OUT06</sub>            | R <sub>OUT05</sub>            | DGND                          | DV <sub>DD</sub>              | DGND                          | DGND                          | DGND                          | DV <sub>DD</sub>              | R <sub>OUT55</sub>            | R <sub>OUT56</sub>            | PGND                          | PV <sub>DD</sub>   |
| H1                  | H2                 | H3                            | H4                            | H5                            | H6                            | H7                            | H8                            | H9                            | H10                           | H11                           | H12                           | H13                           | H14                |
| PGND                | R <sub>OUT04</sub> | R <sub>OUT02</sub>            | R <sub>OUT03</sub>            | DGND                          | DV <sub>DD</sub>              | DGND                          | DGND                          | DGND                          | DV <sub>DD</sub>              | R <sub>OUT54</sub>            | R <sub>OUT53</sub>            | PGND                          | PGND               |
| J1                  | J2                 | J3                            | J4                            | J5                            | J6                            | J7                            | J8                            | J9                            | J10                           | J11                           | J12                           | J13                           | J14                |
| PV <sub>DD</sub>    | R <sub>OUT12</sub> | R <sub>OUT10</sub>            | PGND                          | DV <sub>DD</sub>              | DGND                          | DGND                          | DV <sub>DD</sub>              | DV <sub>DD</sub>              | DV <sub>DD</sub>              | R <sub>OUT52</sub>            | R <sub>OUT51</sub>            | PGND                          | PV <sub>DD</sub>   |
| K1                  | K2                 | K3                            | K4                            | K5                            | K6                            | K7                            | K8                            | K9                            | K10                           | K11                           | K12                           | K13                           | K14                |
| PV <sub>DD</sub>    | R <sub>OUT14</sub> | R <sub>OUT00</sub>            | R <sub>OUT01</sub>            | DV <sub>DD</sub>              | DV <sub>DD</sub>              | DV <sub>DD</sub>              | DGND                          | DGND                          | DV <sub>DD</sub>              | N/C                           | R <sub>OUT50</sub>            | R <sub>OUT40</sub>            | PV <sub>DD</sub>   |
| L1                  | L2                 | L3                            | L4                            | L5                            | L6                            | L7                            | L8                            | L9                            | L10                           | L11                           | L12                           | L13                           | L14                |
| R <sub>OUT13</sub>  | RCLK <sub>1</sub>  | R <sub>OUT11</sub>            | N/C                           | N/C                           | R <sub>OUT21</sub>            | N/C                           | R <sub>OUT31</sub>            | R <sub>OUT34</sub>            | N/C                           | R <sub>OUT45</sub>            | R <sub>OUT41</sub>            | R <sub>OUT44</sub>            | R <sub>OUT42</sub> |
| M1                  | M2                 | M3                            | M4                            | M5                            | M6                            | M7                            | M8                            | M9                            | M10                           | M11                           | M12                           | M13                           | M14                |
| R <sub>OUT15</sub>  | R <sub>OUT18</sub> | R <sub>OUT19</sub>            | R <sub>OUT29</sub>            | R <sub>OUT25</sub>            | R <sub>OUT23</sub>            | R <sub>OUT20</sub>            | R <sub>OUT30</sub>            | R <sub>OUT33</sub>            | R <sub>OUT35</sub>            | R <sub>OUT36</sub>            | R <sub>OUT46</sub>            | RCLK <sub>4</sub>             | R <sub>OUT43</sub> |
| N1                  | N2                 | N3                            | N4                            | N5                            | N6                            | N7                            | N8                            | N9                            | N10                           | N11                           | N12                           | N13                           | N14                |
| R <sub>OUT16</sub>  | R <sub>OUT17</sub> | LOCK <sub>2</sub> *           | R <sub>OUT27</sub>            | RCLK <sub>2</sub>             | R <sub>OUT22</sub>            | PGND                          | PGND                          | R <sub>OUT32</sub>            | RCLK <sub>3</sub>             | R <sub>OUT37</sub>            | R <sub>OUT39</sub>            | R <sub>OUT47</sub>            | R <sub>OUT48</sub> |
| P1                  | P2                 | P3                            | P4                            | P5                            | P6                            | P7                            | P8                            | P9                            | P10                           | P11                           | P12                           | P13                           | P14                |
| LOCK <sub>1</sub> * | R <sub>OUT28</sub> | R <sub>OUT26</sub>            | R <sub>OUT24</sub>            | PV <sub>DD</sub>              | PV <sub>DD</sub>              | PGND                          | PGND                          | PV <sub>DD</sub>              | PV <sub>DD</sub>              | R <sub>OUT38</sub>            | LOCK <sub>3</sub> *           | LOCK <sub>4</sub> *           | R <sub>OUT49</sub> |

Figure 13. Top View of DS92LV1260 (196-pin NFBGA package, see Package Number NZH0196A)

**PIN DESCRIPTIONS**

| Pin No.  | Pin Name                       | Type              | Description   |
|--|--------------------------------|-------------------|---|
| B2,B14   | GND                            | GND               | GND pins for ESD structures   |
| C12,C13,B13  | SEL (0:2)                      | 3.3V<br>CMOS<br>I | These pins control which Bus LVDS input is steered to the CHTST output  |
| A4-A3, C6-C5, A7-A6, C9-C8,<br>A10-A9, C11-C10, A13-A12  | Rin(n) +/-                     | Bus<br>LVDS<br>I  | Bus LVDS differential input pins  |
| D12  | PVdd                           |                   | Supply voltage for PLL circuitry  |
| F12  | AVdd                           |                   | Supply voltage for input buffer circuitry   |
| B12,A14,D10  | PGND                           |                   | GND pin for PLL circuitry   |
| B11  | AGND                           |                   | GND pin for input buffer circuitry  |
| C7   | AVdd                           |                   | Supply voltage for LVDS REC.  |
| B9   | AVdd                           |                   | Supply voltage for LVDS REC.  |
| A11  | AVdd                           |                   | Supply voltage for Band Gap reference.  |
| B7   | AGND                           |                   | GND pin for AVDD.   |
| A8   | AGND                           |                   | GND pin for AVDD1.  |
| B8   | AGND                           |                   | GND pin for BGVDD.  |
| A5   | AGND                           |                   | GND pin for VDDI.   |
| B6   | AVdd                           |                   | Supply voltage for input logic circuitry.   |
| D7   | DGND                           |                   | Tie to digital ground.  |
| B5   | $\overline{\text{PWRDN}}$      | 3.3V<br>CMOS<br>I | Controls whether the device is active or in 'sleep' mode  |
| C4   | RCLK_R/ $\overline{\text{F}}$  | 3.3V<br>CMOS<br>I | Controls the relation of Rout data to RCLK edge: RCLK_R/ $\overline{\text{F}}$ = H setup and hold times are referred to the rising RCLK edge; RCLK_R/ $\overline{\text{F}}$ = L setup and hold times are referenced to the falling RCLK edge. |
| A2   | REN                            | 3.3V<br>CMOS<br>I | Enables the Routn, RCLKn, and SYNCCLK outputs.  |
| B4   | REFCLK                         | 3.3V<br>CMOS<br>I | Frequency reference clock input.  |
| D5   | DGND                           |                   | GND pin for VDDO  |
| A1   | DGND                           |                   | GND for digital section.  |
| B1   | N/C                            |                   | Do not connect.   |
| D6   | DVdd                           |                   | Supply voltage for digital section.   |
| B3   | DVdd                           |                   | Supply voltage for digital section.   |
| C3   | CHTST                          | 3.3V<br>CMOS<br>O | Allows low speed testing of the Rin inputs under control of the SEL (0:2) pins.   |
| F3,P1,N3,P12,P13,D13   | $\overline{\text{LOCK}}$ (0:5) | 3.3V<br>CMOS<br>O | Indicates the status of the PLLs for the individual deserializers: $\overline{\text{LOCK}}$ = L indicates locked, $\overline{\text{LOCK}}$ = H indicates unlocked.  |
| E6,J5,K5,K10,J10,E9  | DVdd                           |                   | Supply voltage for the logic circuitry.   |
| K3, K4, H3, H4, H2, G4, G3,<br>F4, E4, E2, J3, L3, J2 ,L1 ,K2<br>,M1 ,N1 ,N2 ,M2 ,M3 ,M7 ,L6<br>,N6 ,M6 ,P4, M5, P3, N4, P2,<br>M4, M8, L8, N9, M9, L9, M10,<br>M11, N11, P11, N12, K13,<br>L12, L14, M14, L13, L11, M12,<br>N13, N14, P14, K12, J12, J11,<br>H12, H11, G11, G12, E12,<br>E13, E14 | Rout nx                        | 3.3V<br>CMOS<br>O | Outputs for the ten bit deserializers, n = deserializer number, x = bit number  |
| E5,G5,J6,K8,H9,F8  | DGND                           |                   | GND pins for digital section.   |

**PIN DESCRIPTIONS (continued)**

| Pin No.  | Pin Name   | Type              | Description  |
|--|------------|-------------------|--|
| F2,L2,N5,N10,M13,F13   | RCLK (0:5) | 3.3V<br>CMOS<br>O | Recovered clock for each deserializer's output data. |
| D6, F7, E7, G6, H6, K7, K6,<br>J8, J9, G10, H10, F10, E10                | DVdd       |                   | Supply voltage for output buffers.                   |
| D5, F6, F5, G7, H5, J7, H7,<br>H8, K9, G9, G8, F9, E8                    | DGND       |                   | GND pins for output buffers.                         |
| F1, E1, J1, K1, P6, P5, P9,<br>P10, J14, K14, G14, F14                   | PVdd       |                   | Supply voltages for PLL circuitry.                   |
| G2, G1, H1, J4, N7, P7, P8,<br>N8, J13, H14, H13, G13                    | PGND       |                   | GND pins for PLL circuitry.                          |
| C2,C1,D1,D2,D3,  | JTL (1:5)  |                   | Reserved pins for JTAG access port.                  |
| L4, L5, L7, L10, K11, D11,<br>B10, D9, E3, D4, E11, F11,<br>D8, D14, C14 | N/C        |                   | Unused solder ball location. Do not connect.         |



---

**REVISION HISTORY**

| <b>Changes from Revision E (April 2013) to Revision F</b>  | <b>Page</b>              |
|--|--------------------------|
| <hr/> <ul style="list-style-type: none"><li>• Changed layout of National Data Sheet to TI format .....</li></ul> | <hr/> <a href="#">16</a> |

**PACKAGING INFORMATION**

| Orderable Device    | Status<br>(1) | Package Type | Package Drawing | Pins | Package Qty | Eco Plan<br>(2)         | Lead/Ball Finish<br>(6) | MSL Peak Temp<br>(3) | Op Temp (°C) | Device Marking<br>(4/5)  | Samples |
|---------------------|---------------|--------------|-----------------|------|-------------|-------------------------|-------------------------|----------------------|--------------|--------------------------|---------|
| DS92LV1260TUJB/NOPB | ACTIVE        | NFBGA        | NZH             | 196  | 119         | Green (RoHS & no Sb/Br) | SNAGCU                  | Level-3-260C-168 HR  | -40 to 85    | DS92LV1260T<br>UJB<br>>B | Samples |

(1) The marketing status values are defined as follows:

**ACTIVE:** Product device recommended for new designs.

**LIFEBUY:** TI has announced that the device will be discontinued, and a lifetime-buy period is in effect.

**NRND:** Not recommended for new designs. Device is in production to support existing customers, but TI does not recommend using this part in a new design.

**PREVIEW:** Device has been announced but is not in production. Samples may or may not be available.

**OBsolete:** TI has discontinued the production of the device.

(2) **RoHS:** TI defines "RoHS" to mean semiconductor products that are compliant with the current EU RoHS requirements for all 10 RoHS substances, including the requirement that RoHS substance do not exceed 0.1% by weight in homogeneous materials. Where designed to be soldered at high temperatures, "RoHS" products are suitable for use in specified lead-free processes. TI may reference these types of products as "Pb-Free".

**RoHS Exempt:** TI defines "RoHS Exempt" to mean products that contain lead but are compliant with EU RoHS pursuant to a specific EU RoHS exemption.

**Green:** TI defines "Green" to mean the content of Chlorine (Cl) and Bromine (Br) based flame retardants meet JS709B low halogen requirements of <=1000ppm threshold. Antimony trioxide based flame retardants must also meet the <=1000ppm threshold requirement.

(3) MSL, Peak Temp. - The Moisture Sensitivity Level rating according to the JEDEC industry standard classifications, and peak solder temperature.

(4) There may be additional marking, which relates to the logo, the lot trace code information, or the environmental category on the device.

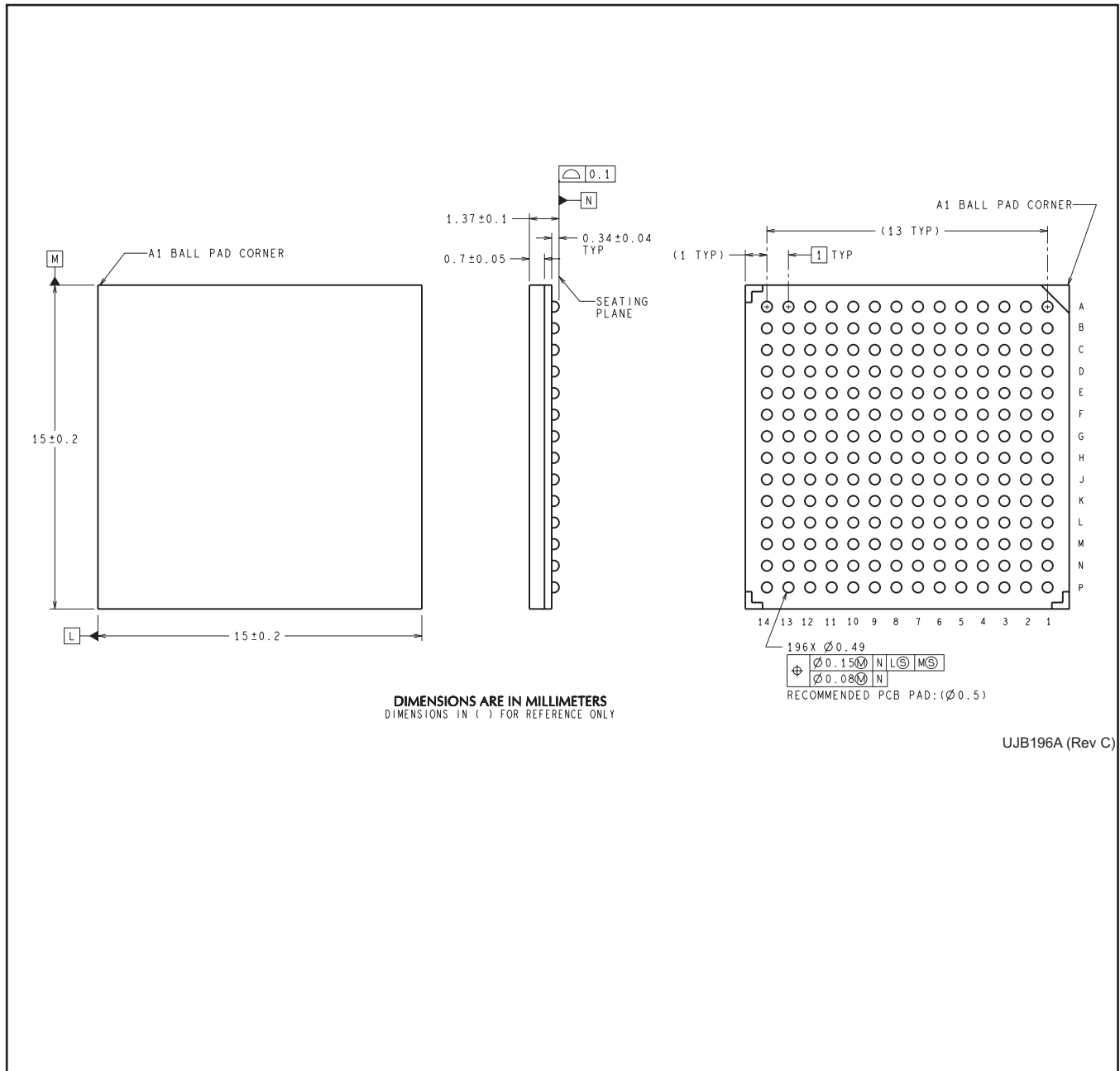
(5) Multiple Device Markings will be inside parentheses. Only one Device Marking contained in parentheses and separated by a "~" will appear on a device. If a line is indented then it is a continuation of the previous line and the two combined represent the entire Device Marking for that device.

(6) Lead/Ball Finish - Orderable Devices may have multiple material finish options. Finish options are separated by a vertical ruled line. Lead/Ball Finish values may wrap to two lines if the finish value exceeds the maximum column width.

**Important Information and Disclaimer:**The information provided on this page represents TI's knowledge and belief as of the date that it is provided. TI bases its knowledge and belief on information provided by third parties, and makes no representation or warranty as to the accuracy of such information. Efforts are underway to better integrate information from third parties. TI has taken and continues to take reasonable steps to provide representative and accurate information but may not have conducted destructive testing or chemical analysis on incoming materials and chemicals. TI and TI suppliers consider certain information to be proprietary, and thus CAS numbers and other limited information may not be available for release.

In no event shall TI's liability arising out of such information exceed the total purchase price of the TI part(s) at issue in this document sold by TI to Customer on an annual basis.

NZH0196A



UJB196A (Rev C)

## IMPORTANT NOTICE

Texas Instruments Incorporated (TI) reserves the right to make corrections, enhancements, improvements and other changes to its semiconductor products and services per JESD46, latest issue, and to discontinue any product or service per JESD48, latest issue. Buyers should obtain the latest relevant information before placing orders and should verify that such information is current and complete.

TI's published terms of sale for semiconductor products (<http://www.ti.com/sc/docs/stdterms.htm>) apply to the sale of packaged integrated circuit products that TI has qualified and released to market. Additional terms may apply to the use or sale of other types of TI products and services.

Reproduction of significant portions of TI information in TI data sheets is permissible only if reproduction is without alteration and is accompanied by all associated warranties, conditions, limitations, and notices. TI is not responsible or liable for such reproduced documentation. Information of third parties may be subject to additional restrictions. Resale of TI products or services with statements different from or beyond the parameters stated by TI for that product or service voids all express and any implied warranties for the associated TI product or service and is an unfair and deceptive business practice. TI is not responsible or liable for any such statements.

Buyers and others who are developing systems that incorporate TI products (collectively, "Designers") understand and agree that Designers remain responsible for using their independent analysis, evaluation and judgment in designing their applications and that Designers have full and exclusive responsibility to assure the safety of Designers' applications and compliance of their applications (and of all TI products used in or for Designers' applications) with all applicable regulations, laws and other applicable requirements. Designer represents that, with respect to their applications, Designer has all the necessary expertise to create and implement safeguards that (1) anticipate dangerous consequences of failures, (2) monitor failures and their consequences, and (3) lessen the likelihood of failures that might cause harm and take appropriate actions. Designer agrees that prior to using or distributing any applications that include TI products, Designer will thoroughly test such applications and the functionality of such TI products as used in such applications.

TI's provision of technical, application or other design advice, quality characterization, reliability data or other services or information, including, but not limited to, reference designs and materials relating to evaluation modules, (collectively, "TI Resources") are intended to assist designers who are developing applications that incorporate TI products; by downloading, accessing or using TI Resources in any way, Designer (individually or, if Designer is acting on behalf of a company, Designer's company) agrees to use any particular TI Resource solely for this purpose and subject to the terms of this Notice.

TI's provision of TI Resources does not expand or otherwise alter TI's applicable published warranties or warranty disclaimers for TI products, and no additional obligations or liabilities arise from TI providing such TI Resources. TI reserves the right to make corrections, enhancements, improvements and other changes to its TI Resources. TI has not conducted any testing other than that specifically described in the published documentation for a particular TI Resource.

Designer is authorized to use, copy and modify any individual TI Resource only in connection with the development of applications that include the TI product(s) identified in such TI Resource. NO OTHER LICENSE, EXPRESS OR IMPLIED, BY ESTOPPEL OR OTHERWISE TO ANY OTHER TI INTELLECTUAL PROPERTY RIGHT, AND NO LICENSE TO ANY TECHNOLOGY OR INTELLECTUAL PROPERTY RIGHT OF TI OR ANY THIRD PARTY IS GRANTED HEREIN, including but not limited to any patent right, copyright, mask work right, or other intellectual property right relating to any combination, machine, or process in which TI products or services are used. Information regarding or referencing third-party products or services does not constitute a license to use such products or services, or a warranty or endorsement thereof. Use of TI Resources may require a license from a third party under the patents or other intellectual property of the third party, or a license from TI under the patents or other intellectual property of TI.

TI RESOURCES ARE PROVIDED "AS IS" AND WITH ALL FAULTS. TI DISCLAIMS ALL OTHER WARRANTIES OR REPRESENTATIONS, EXPRESS OR IMPLIED, REGARDING RESOURCES OR USE THEREOF, INCLUDING BUT NOT LIMITED TO ACCURACY OR COMPLETENESS, TITLE, ANY EPIDEMIC FAILURE WARRANTY AND ANY IMPLIED WARRANTIES OF MERCHANTABILITY, FITNESS FOR A PARTICULAR PURPOSE, AND NON-INFRINGEMENT OF ANY THIRD PARTY INTELLECTUAL PROPERTY RIGHTS. TI SHALL NOT BE LIABLE FOR AND SHALL NOT DEFEND OR INDEMNIFY DESIGNER AGAINST ANY CLAIM, INCLUDING BUT NOT LIMITED TO ANY INFRINGEMENT CLAIM THAT RELATES TO OR IS BASED ON ANY COMBINATION OF PRODUCTS EVEN IF DESCRIBED IN TI RESOURCES OR OTHERWISE. IN NO EVENT SHALL TI BE LIABLE FOR ANY ACTUAL, DIRECT, SPECIAL, COLLATERAL, INDIRECT, PUNITIVE, INCIDENTAL, CONSEQUENTIAL OR EXEMPLARY DAMAGES IN CONNECTION WITH OR ARISING OUT OF TI RESOURCES OR USE THEREOF, AND REGARDLESS OF WHETHER TI HAS BEEN ADVISED OF THE POSSIBILITY OF SUCH DAMAGES.

Unless TI has explicitly designated an individual product as meeting the requirements of a particular industry standard (e.g., ISO/TS 16949 and ISO 26262), TI is not responsible for any failure to meet such industry standard requirements.

Where TI specifically promotes products as facilitating functional safety or as compliant with industry functional safety standards, such products are intended to help enable customers to design and create their own applications that meet applicable functional safety standards and requirements. Using products in an application does not by itself establish any safety features in the application. Designers must ensure compliance with safety-related requirements and standards applicable to their applications. Designer may not use any TI products in life-critical medical equipment unless authorized officers of the parties have executed a special contract specifically governing such use. Life-critical medical equipment is medical equipment where failure of such equipment would cause serious bodily injury or death (e.g., life support, pacemakers, defibrillators, heart pumps, neurostimulators, and implantables). Such equipment includes, without limitation, all medical devices identified by the U.S. Food and Drug Administration as Class III devices and equivalent classifications outside the U.S.

TI may expressly designate certain products as completing a particular qualification (e.g., Q100, Military Grade, or Enhanced Product). Designers agree that it has the necessary expertise to select the product with the appropriate qualification designation for their applications and that proper product selection is at Designers' own risk. Designers are solely responsible for compliance with all legal and regulatory requirements in connection with such selection.

Designer will fully indemnify TI and its representatives against any damages, costs, losses, and/or liabilities arising out of Designer's non-compliance with the terms and provisions of this Notice.