



## GaAs pHEMT MMIC LOW NOISE AMPLIFIER, 24 - 43.5 GHz

### Typical Applications

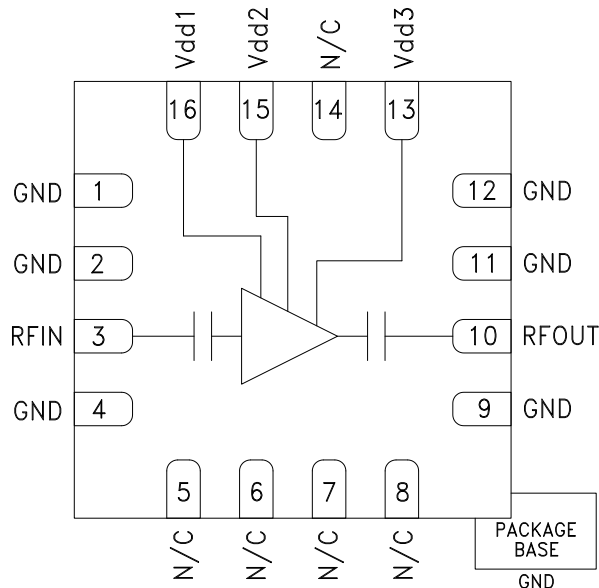
This HMC1040LP3BE is ideal for:

- Point-to-Point Radios
- Test Instrumentation
- SatCom Transponders & VSAT
- Industrial Sensors
- EW & ECM Subsystems

### Features

- Low Noise Figure: 2.2 dB
- High Gain: 23 dB
- P1dB Output Power: +12 dBm
- Single Supply: +2.5V @ 70 mA
- Output IP3: +22 dBm
- 50 Ohm Matched Input/Output
- 16 Lead 3x3 mm SMT Package: 16mm<sup>2</sup>

### Functional Diagram



### General Description

The HMC1040LP3CE is a self-biased GaAs MMIC Low Noise Amplifier housed in a leadless 3x3 mm plastic surface mount package. The amplifier operates between 24 and 43.5 GHz, delivering 23 dB of small signal gain, 2.2 dB noise figure, and output IP3 of +22 dBm, while requiring only 70 mA from a +2.5 V supply. The P1dB output power of +12 dBm enables the LNA to function as a LO driver for many of Hittite's balanced, I/Q and image reject mixers. The HMC1040LP3CE features I/Os that are DC blocked and internally matched to 50 Ohms, and is ideal for high capacity microwave radios and VSAT applications.

### Electrical Specifications, $T_A = +25^\circ\text{C}$ , $V_{dd1} = V_{dd2} = V_{dd3} = +2.5\text{V}$ , $I_{dd} = 70\text{ mA}$

| Parameter  | Min.      | Typ.  | Max. | Min.        | Typ.  | Max. | Min.        | Typ.  | Max. | Units   |
|--|-----------|-------|------|-------------|-------|------|-------------|-------|------|---------|
| Frequency Range  | 24 - 27.5 |       |      | 27.5 - 33.5 |       |      | 33.5 - 43.5 |       |      | GHz     |
| Gain [1]   | 22        | 25    |      | 20          | 23    |      | 17          | 20    |      | dB      |
| Gain Variation over Temperature                            |           | 0.022 |      |             | 0.021 |      |             | 0.021 |      | dB / °C |
| Noise Figure [1]   |           | 2.7   | 3.2  |             | 2.2   | 2.7  |             | 2.7   | 3.2  | dB      |
| Input Return Loss  |           | 11    |      |             | 12    |      |             | 10    |      | dB      |
| Output Return Loss   |           | 16    |      |             | 13    |      |             | 10    |      | dB      |
| Output Power for 1 dB Compression                          |           | 12    |      |             | 12    |      |             | 12    |      | dBm     |
| Saturated Output Power (P <sub>sat</sub> )                 |           | 14    |      |             | 14    |      |             | 14    |      | dBm     |
| Output Third Order Intercept (IP3)                         |           | 22    |      |             | 22    |      |             | 24    |      | dBm     |
| Supply Current (I <sub>dd</sub> ) (V <sub>dd</sub> = 2.5V) |           | 70    | 85   |             | 70    | 85   |             | 70    | 85   | mA      |

[1] Board loss subtracted out.

# HMC1040\* PRODUCT PAGE QUICK LINKS

Last Content Update: 11/29/2017

---

## COMPARABLE PARTS

View a parametric search of comparable parts.

## EVALUATION KITS

- HMC1040LP3C Evaluation Board

## DOCUMENTATION

### Application Notes

- AN-1363: Meeting Biasing Requirements of Externally Biased RF/Microwave Amplifiers with Active Bias Controllers
- Broadband Biasing of Amplifiers General Application Note
- MMIC Amplifier Biasing Procedure Application Note
- Thermal Management for Surface Mount Components General Application Note

### Data Sheet

- HMC1040 Data Sheet

## TOOLS AND SIMULATIONS

- HMC1040 S-Parameters

## REFERENCE MATERIALS

### Product Selection Guide

- RF, Microwave, and Millimeter Wave IC Selection Guide 2017

### Quality Documentation

- Package/Assembly Qualification Test Report: LP3, LP4, LP5 & LP5G (QTR: 2014-00145)
- Semiconductor Qualification Test Report: PHEMT-L (QTR: 2013-00266)

## DESIGN RESOURCES

- HMC1040 Material Declaration
- PCN-PDN Information
- Quality And Reliability
- Symbols and Footprints

## DISCUSSIONS

View all HMC1040 EngineerZone Discussions.

## SAMPLE AND BUY

Visit the product page to see pricing options.

## TECHNICAL SUPPORT

Submit a technical question or find your regional support number.

## DOCUMENT FEEDBACK

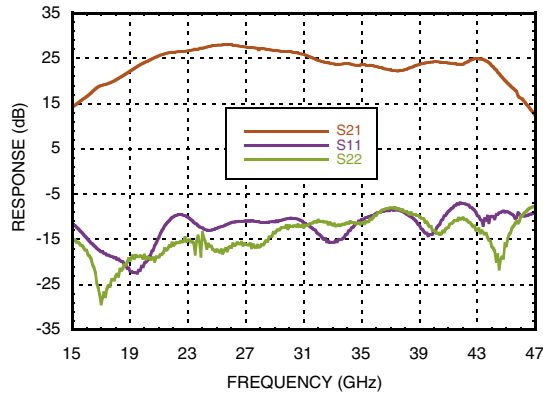
Submit feedback for this data sheet.

---

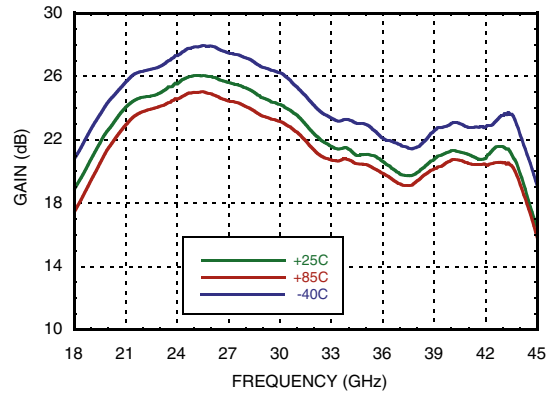


**GaAs pHEMT MMIC LOW NOISE AMPLIFIER, 24 - 43.5 GHz**

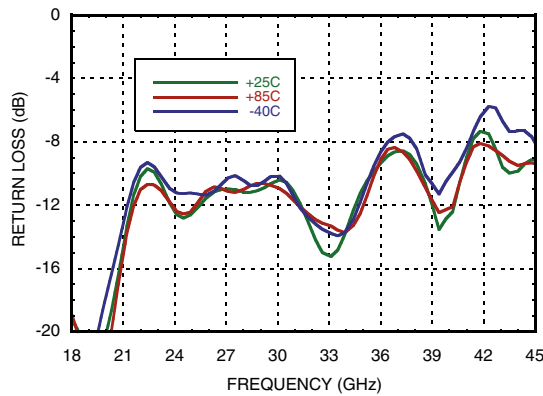
**Broadband Gain & Return Loss [1]**



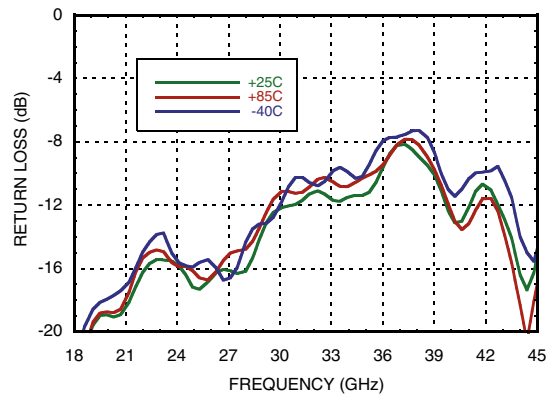
**Gain vs. Temperature [1]**



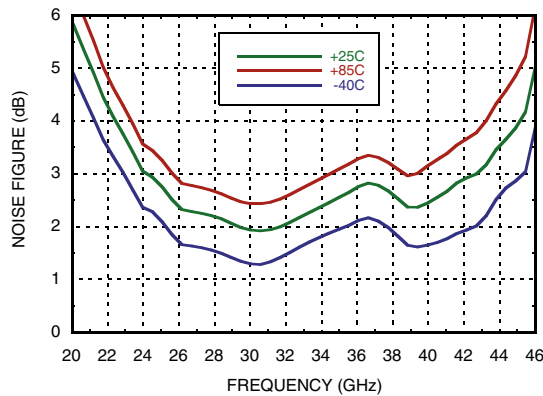
**Input Return Loss vs. Temperature**



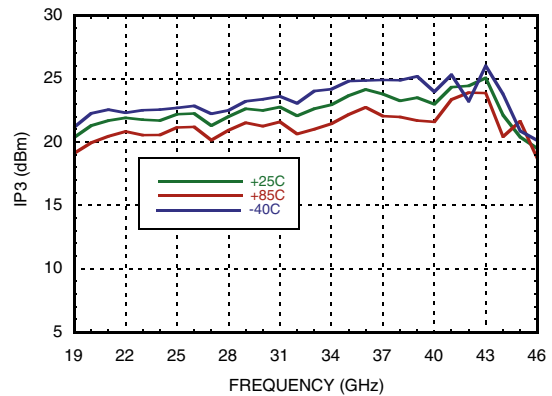
**Output Return Loss vs. Temperature**



**Noise Figure vs. Temperature [1]**



**Output IP3 vs. Temperature**

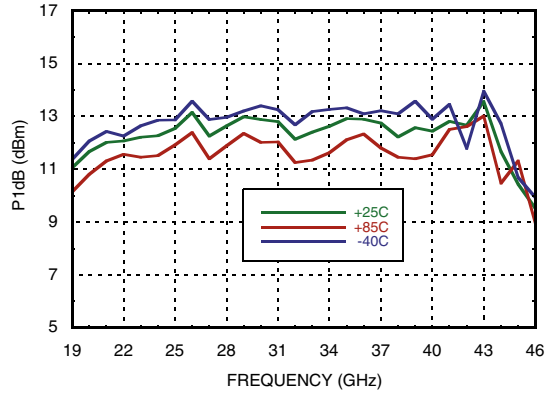


[1] Board loss subtracted out, gain only.

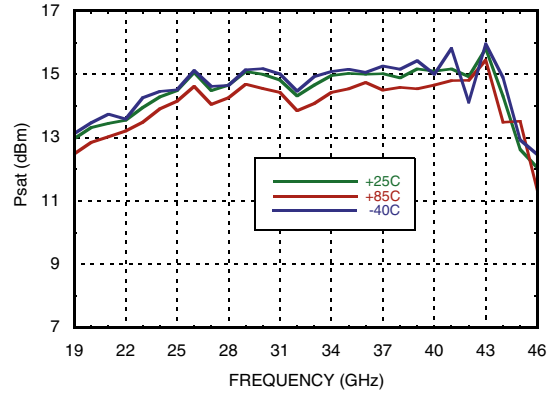


**GaAs pHEMT MMIC LOW NOISE  
AMPLIFIER, 24 - 43.5 GHz**

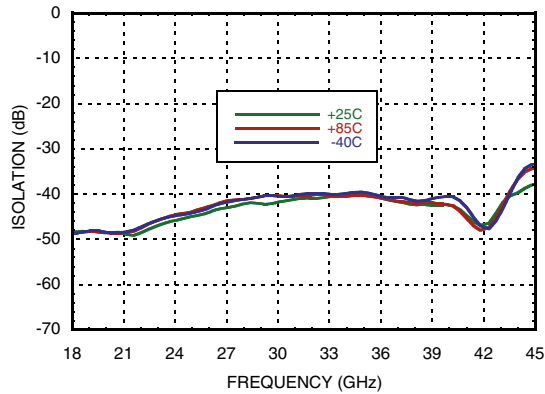
**P1dB vs. Temperature**



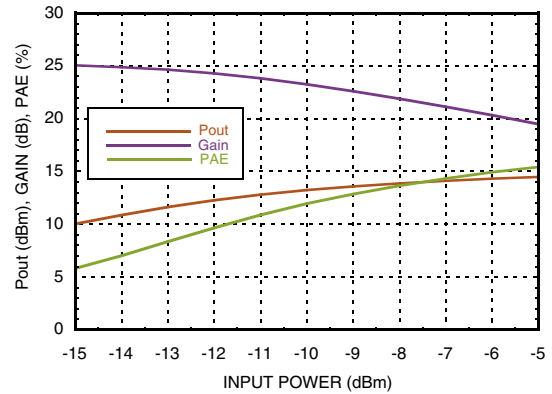
**Psat vs. Temperature**



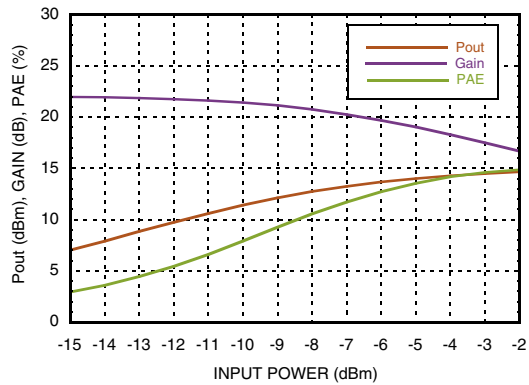
**Reverse Isolation vs. Temperature**



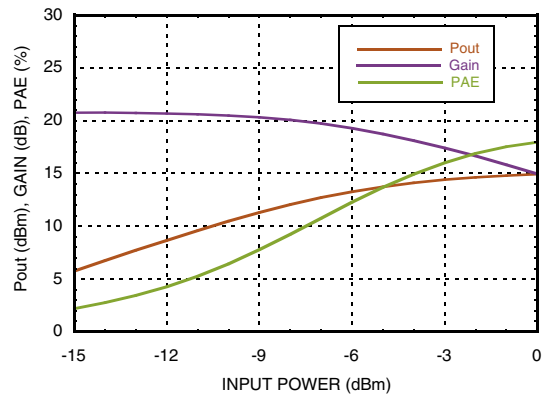
**Power Compression @ 25 GHz**



**Power Compression @ 33 GHz**



**Power Compression @ 42 GHz**



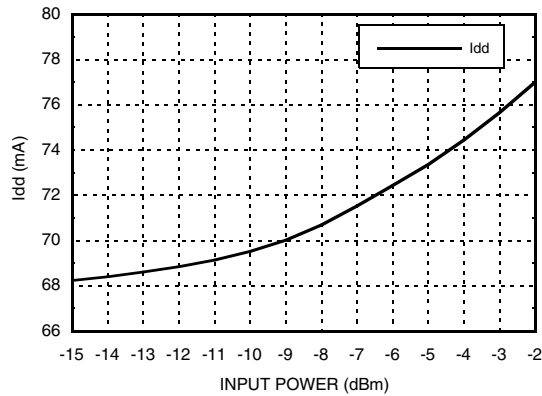
Information furnished by Analog Devices is believed to be accurate and reliable. However, no responsibility is assumed by Analog Devices for its use, nor for any infringements of patents or other rights of third parties that may result from its use. Specifications subject to change without notice. No license is granted by implication or otherwise under any patent or patent rights of Analog Devices. Trademarks and registered trademarks are the property of their respective owners.

For price, delivery, and to place orders: Analog Devices, Inc., One Technology Way, P.O. Box 9106, Norwood, MA 02062-9106 Phone: 781-329-4700 • Order online at [www.analog.com](http://www.analog.com) Application Support: Phone: 1-800-ANALOG-D



## GaAs pHEMT MMIC LOW NOISE AMPLIFIER, 24 - 43.5 GHz

### Current vs. Input Power @ 33 GHz



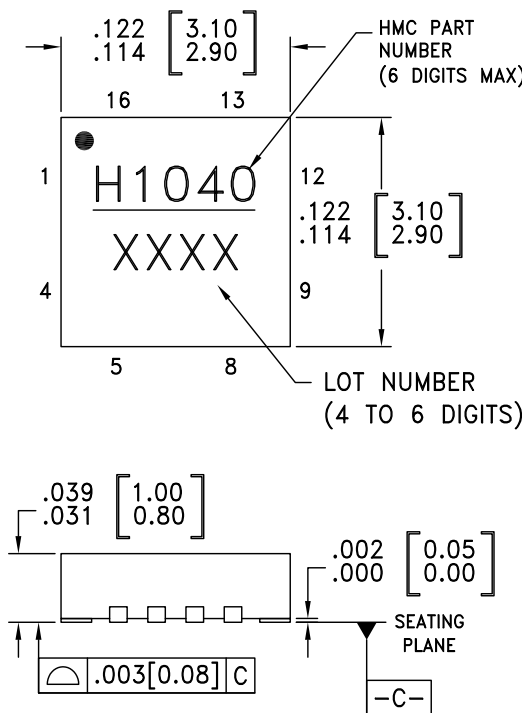
### Absolute Maximum Ratings

|   |                |
|---|----------------|
| Drain Bias Voltage  | +4V            |
| RF Input Power  | +5 dBm         |
| Channel Temperature   | 175 °C         |
| Continuous P <sub>diss</sub> (T = 85 °C)<br>(derate 5.46 mW/°C above 85 °C) | 0.49 W         |
| Thermal Resistance<br>(Channel to ground paddle)                            | 183 °C/W       |
| Storage Temperature   | -65 to +150 °C |
| Operating Temperature   | -40 to +85 °C  |
| ESD Sensitivity (HBM)   | Class 0, 100 V |

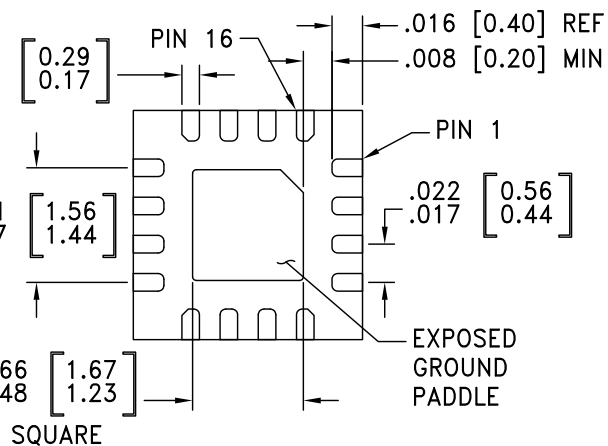


ELECTROSTATIC SENSITIVE DEVICE  
OBSERVE HANDLING PRECAUTIONS

### Outline Drawing



### BOTTOM VIEW



#### NOTES:

- PACKAGE BODY MATERIAL: LOW STRESS INJECTION MOLDED PLASTIC SILICA AND SILICON IMPREGNATED.
- LEAD AND GROUND PADDLE MATERIAL: COPPER ALLOY.
- LEAD AND GROUND PADDLE PLATING: 100% MATTE TIN
- DIMENSIONS ARE IN INCHES [MILLIMETERS].
- LEAD SPACING TOLERANCE IS NON-CUMULATIVE.
- PAD BURR LENGTH SHALL BE 0.15mm MAX. PAD BURR HEIGHT SHALL BE 0.05mm MAX.
- PACKAGE WARP SHALL NOT EXCEED 0.05mm
- ALL GROUND LEADS AND GROUND PADDLE MUST BE SOLDERED TO PCB RF GROUND.
- REFER TO HITTITE APPLICATION NOTE FOR SUGGESTED PCB LAND PATTERN.

### Package Information

| Part Number  | Package Body Material                              | Lead Finish   | MSL Rating          | Package Marking <sup>[2]</sup> |
|--------------|--|---------------|---------------------|--------------------------------|
| HMC1040LP3CE | RoHS-compliant Low Stress Injection Molded Plastic | 100% matte Sn | MSL1 <sup>[1]</sup> | H1040<br>XXXX                  |

[1] Max peak reflow temperature of 260 °C

[2] 4-Digit lot number XXXX

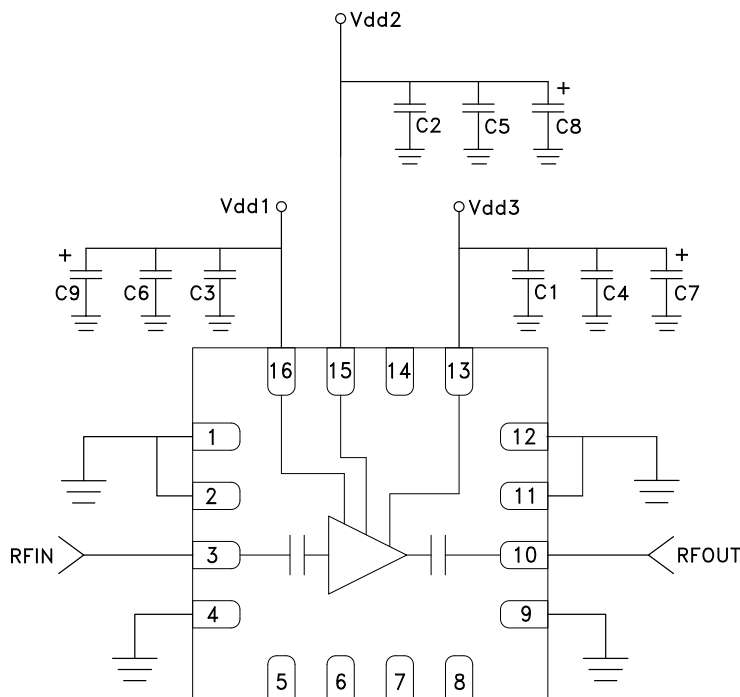


## GaAs pHEMT MMIC LOW NOISE AMPLIFIER, 24 - 43.5 GHz

### Pin Descriptions

| Pin Number         | Function         | Description  | Interface Schematic |
|--------------------|------------------|--|---------------------|
| 1, 2, 4, 9, 11, 12 | GND              | These pins and package bottom must be connected to RF/DC ground.   |                     |
| 3                  | RFIN             | This pin AC coupled and matched to 50 Ohms   |                     |
| 5-8, 14            | N/C              | The pins are not connected internally; however, all data shown herein was measured with these pins connected to RF/DC ground externally. |                     |
| 10                 | RFOUT            | This pin AC coupled and matched to 50 Ohms   |                     |
| 13, 15, 16         | Vdd3, Vdd2, Vdd1 | Drain bias voltages for the amplifier. See Application Circuit for required external components.   |                     |

### Application Circuit



| Capacitor | Value  |
|-----------|--------|
| C1 - C3   | 100 pF |
| C4 - C6   | 10 nF  |
| C7 - C9   | 4.7 μF |

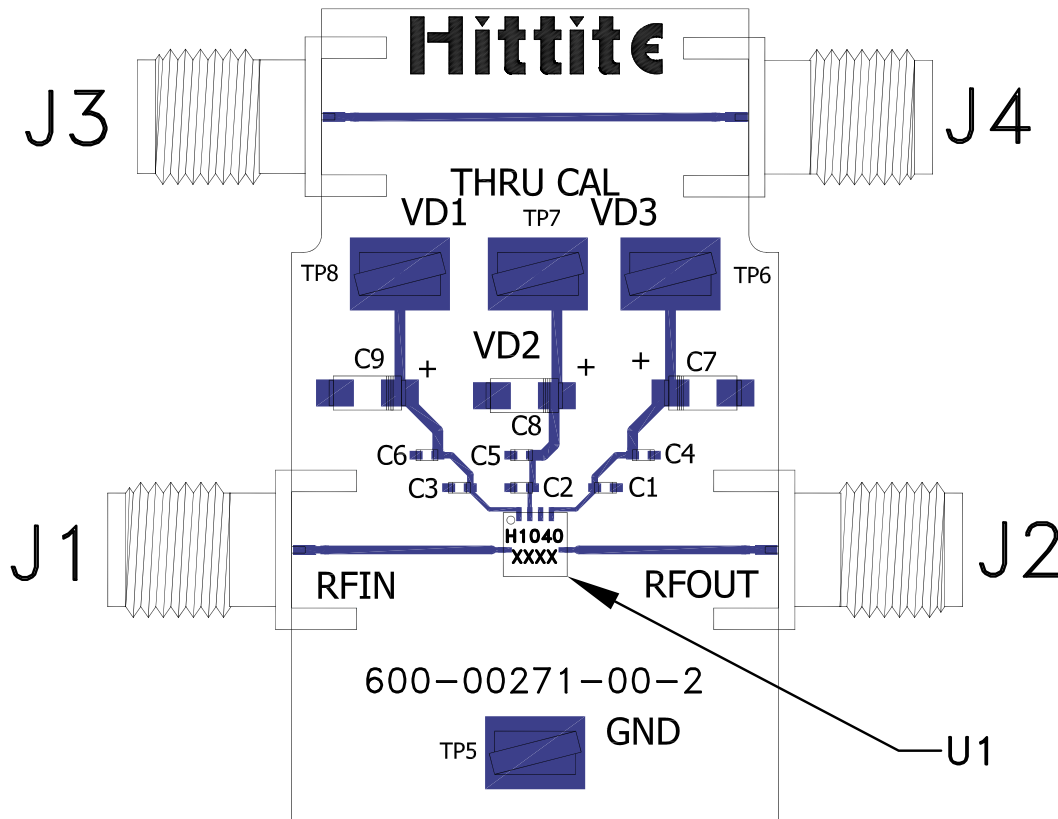
Information furnished by Analog Devices is believed to be accurate and reliable. However, no responsibility is assumed by Analog Devices for its use, nor for any infringements of patents or other rights of third parties that may result from its use. Specifications subject to change without notice. No license is granted by implication or otherwise under any patent or patent rights of Analog Devices. Trademarks and registered trademarks are the property of their respective owners.

For price, delivery, and to place orders: Analog Devices, Inc., One Technology Way, P.O. Box 9106, Norwood, MA 02062-9106 Phone: 781-329-4700 • Order online at [www.analog.com](http://www.analog.com) Application Support: Phone: 1-800-ANALOG-D



**GaAs pHEMT MMIC LOW NOISE AMPLIFIER, 24 - 43.5 GHz**

**Evaluation PCB**



**List of Material for Evaluation PCB EVAL01-HMC1040LP3CE [1]**

| Item    | Description                   |
|---------|-------------------------------|
| J1-J4   | 2.92 mm Connectors            |
| TP5-TP8 | Test Points DC Pin            |
| C1 - C3 | 100 pF Capacitor, 0402 Pkg.   |
| C4 - C6 | 10 nF Capacitor, 0402 Pkg.    |
| C7 - C9 | 4.7 μF Capacitor, Tantalum    |
| U1      | HMC1040LP3CE Amplifier        |
| PCB [2] | 600-00271-00-2 Evaluation PCB |

[1] Reference this number when ordering complete evaluation PCB

[2] Circuit Board Material: Rogers 4350 or Arlon 25FR

The circuit board used in this application should use RF circuit design techniques. Signal lines should have 50 Ohm impedance while the package ground leads and exposed paddle should be connected directly to the ground plane similar to that shown. A sufficient number of via holes should be used to connect the top and bottom ground planes. The evaluation board should be mounted to an appropriate heat sink. The evaluation circuit board shown is available from Hittite upon request.