



## GaAs MMIC SP4T NON-REFLECTIVE SWITCH, DC - 20 GHz

### Typical Applications

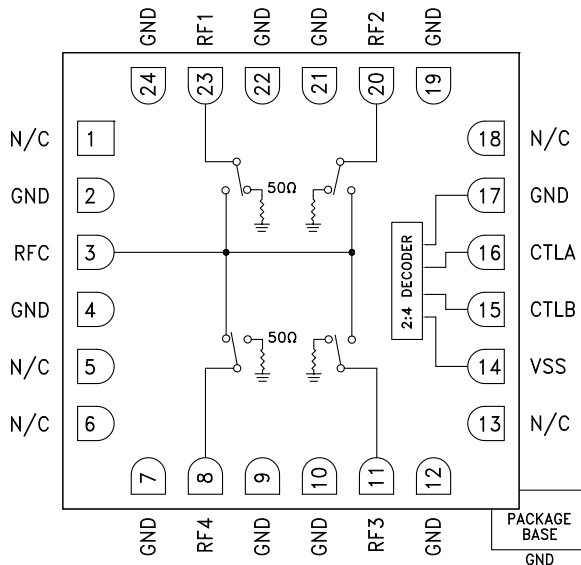
The HMC641ALC4 is ideal for:

- Telecom Infrastructure
- Microwave Radio & VSAT
- Military & Space Hybrids
- Test Instrumentation
- SATCOM & Sensors

### Features

- Broadband Performance: DC - 20 GHz
- High Isolation: 42 dB @ 12 GHz
- Low Insertion Loss: 2.1 dB @ 12 GHz
- Integrated 2:4 TTL Decoder
- 24 Lead 4x4mm SMT Package: 16mm<sup>2</sup>

### Functional Diagram



### General Description

The HMC641ALC4 is a broadband non-reflective GaAs pHEMT SP4T switch in a compact 4x4 mm ceramic package. Covering DC to 20 GHz, this switch offers high isolation, low insertion loss and on-chip termination of isolated ports. This switch also includes an on board binary decoder circuit which reduces the number of required logic control lines from four to two. The HMC641ALC4 is controlled with 0/ -5V logic, exhibits fast switching speed and consumes much less DC current than pin diode based solutions.

### Electrical Specifications, $T_A = +25^\circ C$ , With 0/-5V Control, $V_{SS} = -5V$ , 50 Ohm System

| Parameter  | Frequency       | Min.                             | Typ. | Max. | Units |
|--|-----------------|----------------------------------|------|------|-------|
| Insertion Loss   | DC - 12 GHz     |                                  | 1.8  | 2.8  | dB    |
|  | DC - 20 GHz     |                                  | 2.3  | 3.5  | dB    |
| Isolation (RFC to RF1 - RF4)   | DC - 12 GHz     | 30                               | 42   |      | dB    |
|  | DC - 20 GHz     | 30                               | 40   |      | dB    |
| Return Loss  | "On State"      | DC - 12 GHz                      | 18   |      | dB    |
|  |                 | DC - 20 GHz                      | 17   |      | dB    |
| Return Loss  | "Off State"     | DC - 20 GHz                      | 19   |      | dB    |
| Input Power for 1 dB Compression   | 0.05 - 0.25 GHz | 10                               | 15   |      | dBm   |
|  | 0.25 - 20 GHz   | 20                               | 25   |      | dBm   |
| Input Third Order Intercept<br>(Two-Tone Input Power= +10 dBm Each Tone) | 0.05 - 0.25 GHz |                                  | 32   |      | dBm   |
|  | 0.25 - 20 GHz   |                                  | 41   |      | dBm   |
| Switching Characteristics  | DC - 20 GHz     | tRISE, tFALL (10/90% RF)         | 30   |      | ns    |
|  |                 | tON, tOFF (50% CTL to 10/90% RF) | 100  |      | ns    |
|  |                 |                                  |      |      |       |

# HMC641ALC4\* PRODUCT PAGE QUICK LINKS

Last Content Update: 12/18/2017

---

## COMPARABLE PARTS

View a parametric search of comparable parts.

## EVALUATION KITS

- HMC641A Evaluation Board

## DOCUMENTATION

### Data Sheet

- HMC641ALC4 Data Sheet

## TOOLS AND SIMULATIONS

- HMC641ALC4 S-Parameters

## REFERENCE MATERIALS

### Product Selection Guide

- RF, Microwave, and Millimeter Wave IC Selection Guide 2017

### Quality Documentation

- Semiconductor Qualification Test Report: PHEMT-J (QTR: 2013-00285)

## DESIGN RESOURCES

- HMC641ALC4 Material Declaration
- PCN-PDN Information
- Quality And Reliability
- Symbols and Footprints

## DISCUSSIONS

View all HMC641ALC4 EngineerZone Discussions.

## SAMPLE AND BUY

Visit the product page to see pricing options.

## TECHNICAL SUPPORT

Submit a technical question or find your regional support number.

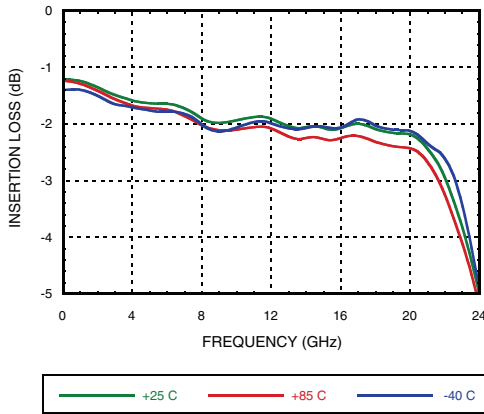
## DOCUMENT FEEDBACK

Submit feedback for this data sheet.

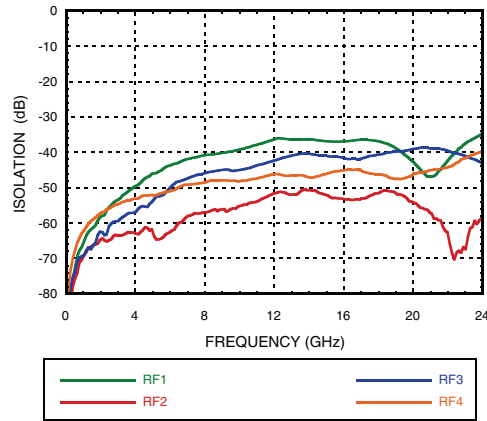


**GaAs MMIC SP4T NON-REFLECTIVE SWITCH, DC - 20 GHz**

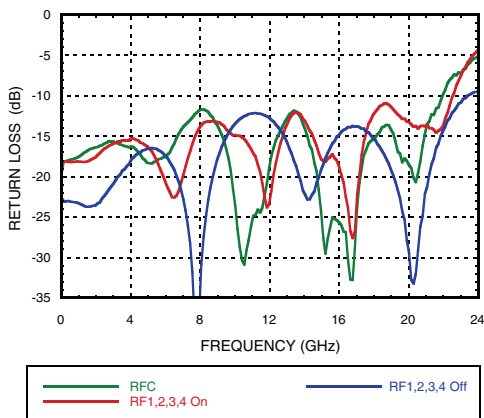
**Insertion Loss vs. Temperature**



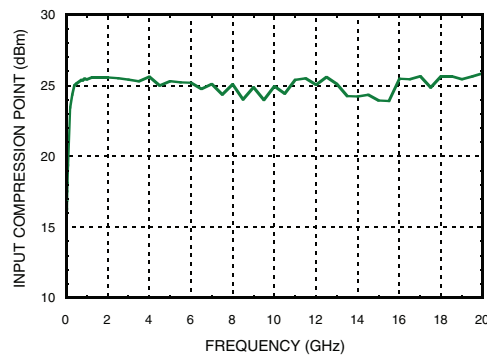
**Isolation**



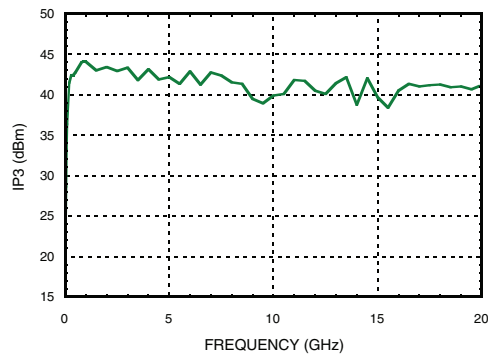
**Return Loss**



**1 dB Input Compression Point**



**Input Third Order Intercept Point @ 10 dBm Tone Power**




**GaAs MMIC SP4T NON-REFLECTIVE  
SWITCH, DC - 20 GHz**
**Absolute Maximum Ratings**

|                               |                  |
|-------------------------------|------------------|
| Bias Voltage (Vss)            | -7V              |
| Control Voltage Range (A & B) | Vss -0.5V to +1V |
| Maximum Input Power           |                  |
| Insertion Loss Path           | +26.5 dBm        |
| Terminated Path               | +23 dBm          |
| Channel Temperature           | 150 °C           |
| Thermal Resistance            |                  |
| Channel to die bottom         |                  |
| Insertion Loss Path           | 201 °C/W         |
| Terminated Path               | 321 °C/W         |
| Storage Temperature           | -65 to +150 °C   |
| Operating Temperature         | -40 to +85 °C    |



**ELECTROSTATIC SENSITIVE DEVICE  
OBSERVE HANDLING PRECAUTIONS**

**Truth Table**

| Control Input |      | Signal Path State |
|---------------|------|-------------------|
| A             | B    | RFC to:           |
| High          | High | RF1               |
| Low           | High | RF2               |
| High          | Low  | RF3               |
| Low           | Low  | RF4               |

**Bias Voltage & Current**

| Vss Range= -5.0 Vdc ±10% |                |                |
|--------------------------|----------------|----------------|
| Vss (Vdc)                | Iss (Typ) (mA) | Iss (Max) (mA) |
| -5                       | 1.8            | 5.0            |

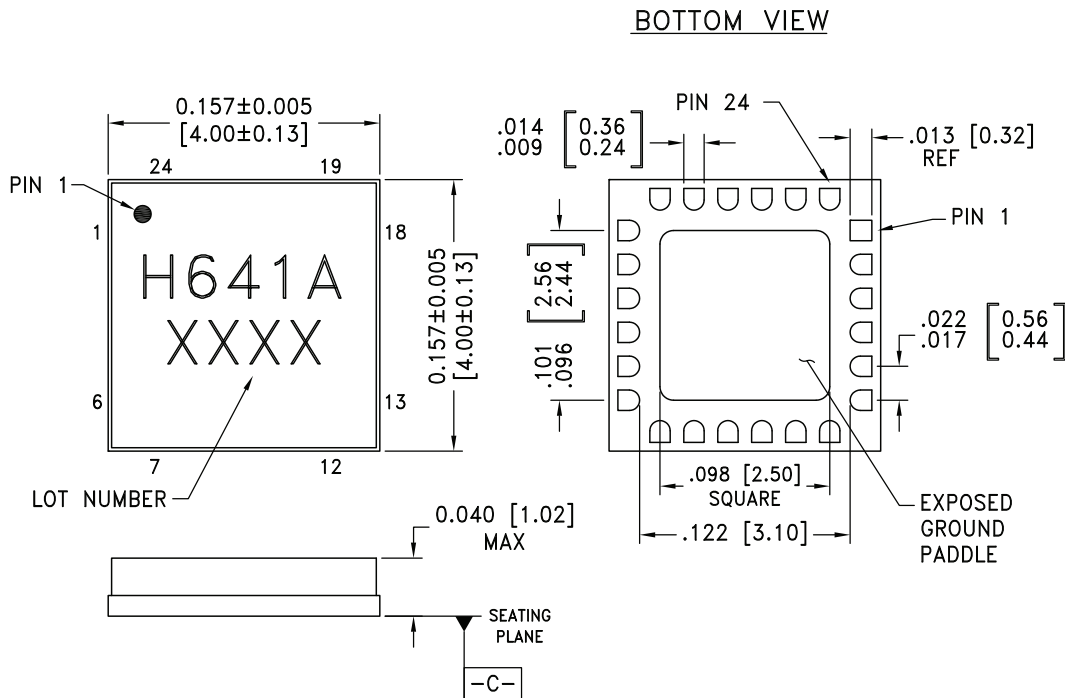
**TTL/CMOS Control Voltages**

| State | Bias Condition             |
|-------|----------------------------|
| Low   | -2.5V to 0V @ 30 µA Typ.   |
| High  | -5V to -3.8V @ 0.5 µA Typ. |

## GaAs MMIC SP4T NON-REFLECTIVE SWITCH, DC - 20 GHz



### Outline Drawing



**NOTES:**

1. PACKAGE BODY MATERIAL: ALUMINA
2. LEAD AND GROUND PADDLE PLATING: 30-80 MICROINCHES GOLD OVER 50 MICROINCHES MINIMUM NICKEL.
3. DIMENSIONS ARE IN INCHES [MILLIMETERS].
4. LEAD SPACING TOLERANCE IS NON-CUMULATIVE
5. PACKAGE WARP SHALL NOT EXCEED 0.05mm DATUM **-C-**
6. ALL GROUND LEADS AND GROUND PADDLE MUST BE SOLDERED TO PCB RF GROUND.


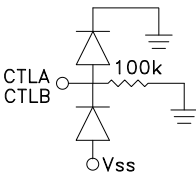
### Package Information

| Part Number | Package Body Material | Lead Finish      | MSL Rating          | Package Marking <sup>[2]</sup> |
|-------------|-----------------------|------------------|---------------------|--------------------------------|
| HMC641ALC4  | Alumina, White        | Gold over Nickel | MSL3 <sup>[1]</sup> | H641A<br>XXXX                  |

[1] Max peak reflow temperature of 260 °C

[2] 4-Digit lot number XXXX

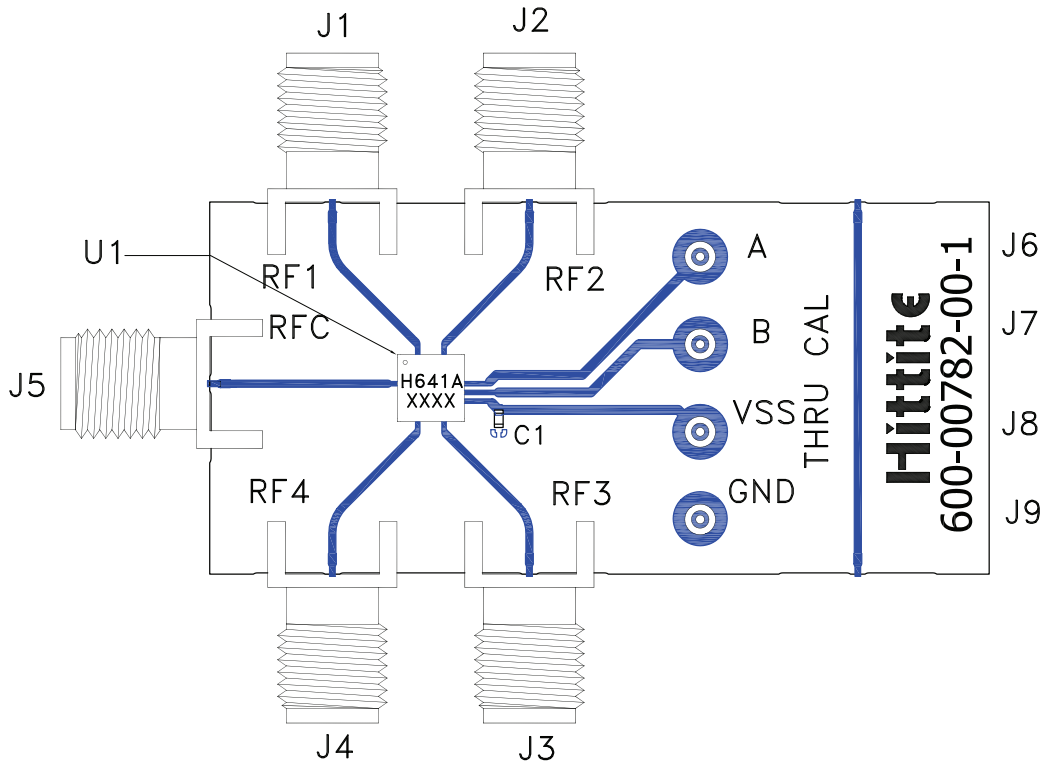

**GaAs MMIC SP4T NON-REFLECTIVE  
SWITCH, DC - 20 GHz**
**Pin Descriptions**

| Pin Number  | Function                | Description  | Interface Schematic  |
|---|-------------------------|--|--|
| 1, 5, 6, 13, 18   | N/C                     | These pins are not connected internally; however, all data shown herein was measured with these pins connected to RF/DC ground externally. |  |
| 2, 4, 7, 9, 10, 12, 17, 19, 21, 22, 24<br>Ground Paddle | GND                     | These pins and the exposed ground paddle must be connected to RF/DC ground.  |   |
| 3, 8, 11, 20, 23  | RFC, RF1, RF2, RF3, RF4 | These pads are DC coupled and matched to 50 Ohms. Blocking capacitors are required if RF line potential is not equal to 0V.                |  |
| 14  | Vss                     | Supply Voltage -5 Vdc ± 10%.   |  |
| 15  | CTLB                    | See Truth Table and Control Voltage Table.   |  |
| 16  | CTLA                    | See Truth Table and Control Voltage Table.   |  |



**GaAs MMIC SP4T NON-REFLECTIVE  
SWITCH, DC - 20 GHz**

**Evaluation PCB**



**List of Materials for Evaluation PCB EVAL01 - HMC641ALC4 [1]**

| Item    | Description                   |
|---------|-------------------------------|
| J1 - J5 | PCB Mount SMA Connector       |
| J6 - J9 | DC Pin                        |
| C1      | 1000 pF Capacitor, 0402 Pkg.  |
| U1      | HMC641ALC4 Switch             |
| PCB [2] | 600-00782-00-1 Evaluation PCB |

[1] Reference this number when ordering complete evaluation PCB

[2] Circuit Board Material: Rogers 4350 or Arlon FR4

The circuit board used in the application should use RF circuit design techniques. Signal lines should have 50 Ohm impedance while the package ground leads and exposed paddle should be connected directly to the ground plane similar to that shown. A sufficient number of via holes should be used to connect the top and bottom ground planes. The evaluation board should be mounted to an appropriate heat sink. The evaluation circuit board shown is available from Hittite upon request.