

μHVIC™

SOT-23 Single Low-Side Driver IC

Features

- CMOS Schmitt-triggered inputs
- Under voltage lockout
- Wide VCC range (5 to 20V)
- 3.3V logic compatible
- Output in phase with inputs
- Lead free, RoHS compliant

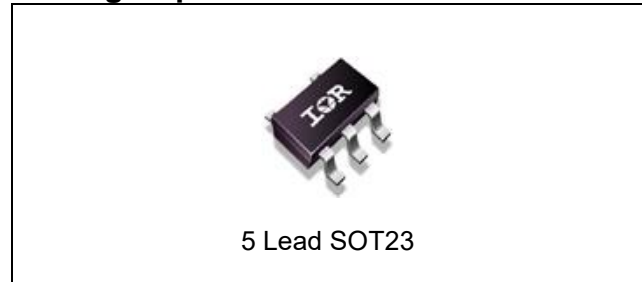
Applications

- General purpose gate driver
- Complimentary to IRS25752L single high side driver

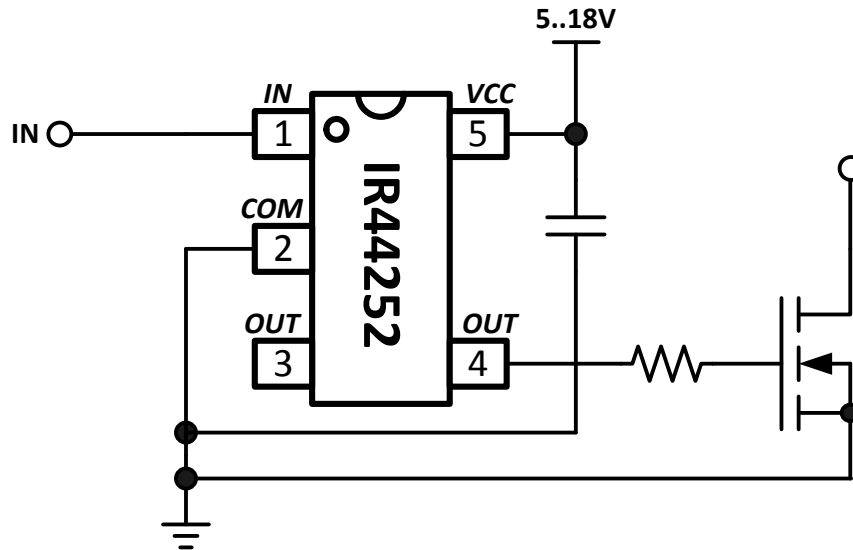
Product Summary

Topology	General Driver
IO+/- (typical)	300mA / 550mA

Package Options



Typical Connection Diagram



Ordering Information

Base Part Number	Package Type	Standard Pack		Orderable Part Number
		Form	Quantity	
IR44252LPBF	SOT-23-5L	Tape and Reel	3000	IR44252LTRPBF

Table of Contents	Page
Typical connection diagram	1
Description	3
Qualification Information	4
Absolute Maximum Ratings	5
Recommended Operating Conditions	5
Static Electrical Characteristics	6
Dynamic Electrical Characteristics	6
Functional Block Diagram	7
Input/Output Pin Equivalent Circuit Diagram	8
Lead Definitions	9
Lead Assignments	9
Timing Diagrams	10
Package Details: 5-Lead SOT23	11
Tape and Reel Details: 5-Lead SOT23	12
Part Marking Information	14
Ordering Information	15

Description

The IR44252L is a low voltage, power MOSFET and IGBT non-inverting gate driver. Proprietary latch immune CMOS technologies enable ruggedized monolithic construction. The logic input is compatible with standard CMOS or LSTTL output. The output driver features a wide VCC range, under-voltage lockout with hysteresis, and output current buffer stage. Also, the IR44252L is complimentary to the popular IRS25752 SOT-23 single high-side driver IC.

Qualification Information[†]

Qualification Level		Industrial ^{††}
		Comments: This family of ICs has passed JEDEC's Industrial qualification. IR's Consumer qualification level is granted by extension of the higher Industrial level.
Moisture Sensitivity Level		MSL1 ^{†††} 260°C (per IPC/JEDEC J-STD-020)
ESD	Machine Model	Class B (per JEDEC standard JESD22-A115)
	Human Body Model	Class 2 (per EIA/JEDEC standard EIA/JESD22-A114)
IC Latch-Up Test		Class 1 Level A (per JESD78)
RoHS Compliant		Yes

- † Qualification standards can be found at International Rectifier's web site <http://www.irf.com/>
- †† Higher qualification ratings may be available should the user have such requirements. Please contact your International Rectifier sales representative for further information.
- ††† Higher MSL ratings may be available for the specific package types listed here. Please contact your International Rectifier sales representative for further information.

Absolute Maximum Ratings

Absolute maximum ratings indicate sustained limits beyond which damage to the device may occur. The device may not function or not be operable above the recommended operating conditions and stressing the parts to these levels is not recommended. In addition, extended exposure to stresses above the recommended operating conditions may affect device reliability. All voltage parameters are absolute voltages referenced to COM. The thermal resistance and power dissipation ratings are measured under board mounted and still air conditions.

Symbol	Definition	Min	Max	Units
V_{CC}	Fixed supply voltage	-0.3	20	V
V_O	Output voltage	-0.3	$V_{CC} + 0.3$	
V_{IN}	Logic input voltage	-0.3	$V_{CC} + 0.3$	
R_{thJA}	Thermal resistance, junction to ambient	—	151	°C/W
T_J	Junction temperature	—	150	°C
T_S	Storage temperature	-55	150	
T_L	Lead temperature (soldering, 10 seconds)	—	300	

Recommended Operating Conditions

For proper operation, the device should be used within the recommended conditions. All voltage parameters are absolute voltages referenced to COM unless otherwise stated in the table. The offset rating is tested with supply of $V_{CC} = 15V$.

Symbol	Definition	Min	Max	Units
V_{CC}	Fixed supply voltage	5	18	V
V_O	Output voltage	0	V_{CC}	
V_{IN}	Logic input voltage	0	V_{CC}	
T_A	Ambient temperature	-40	125	°C

Static Electrical Characteristics

$V_{CC} = 15V$, $T_A = 25^\circ C$ unless otherwise specified. The V_{IN} and I_{IN} parameters are referenced to COM and are applicable to input leads: IN. The V_O and I_O parameters are referenced to COM and are applicable to the output leads: OUT.

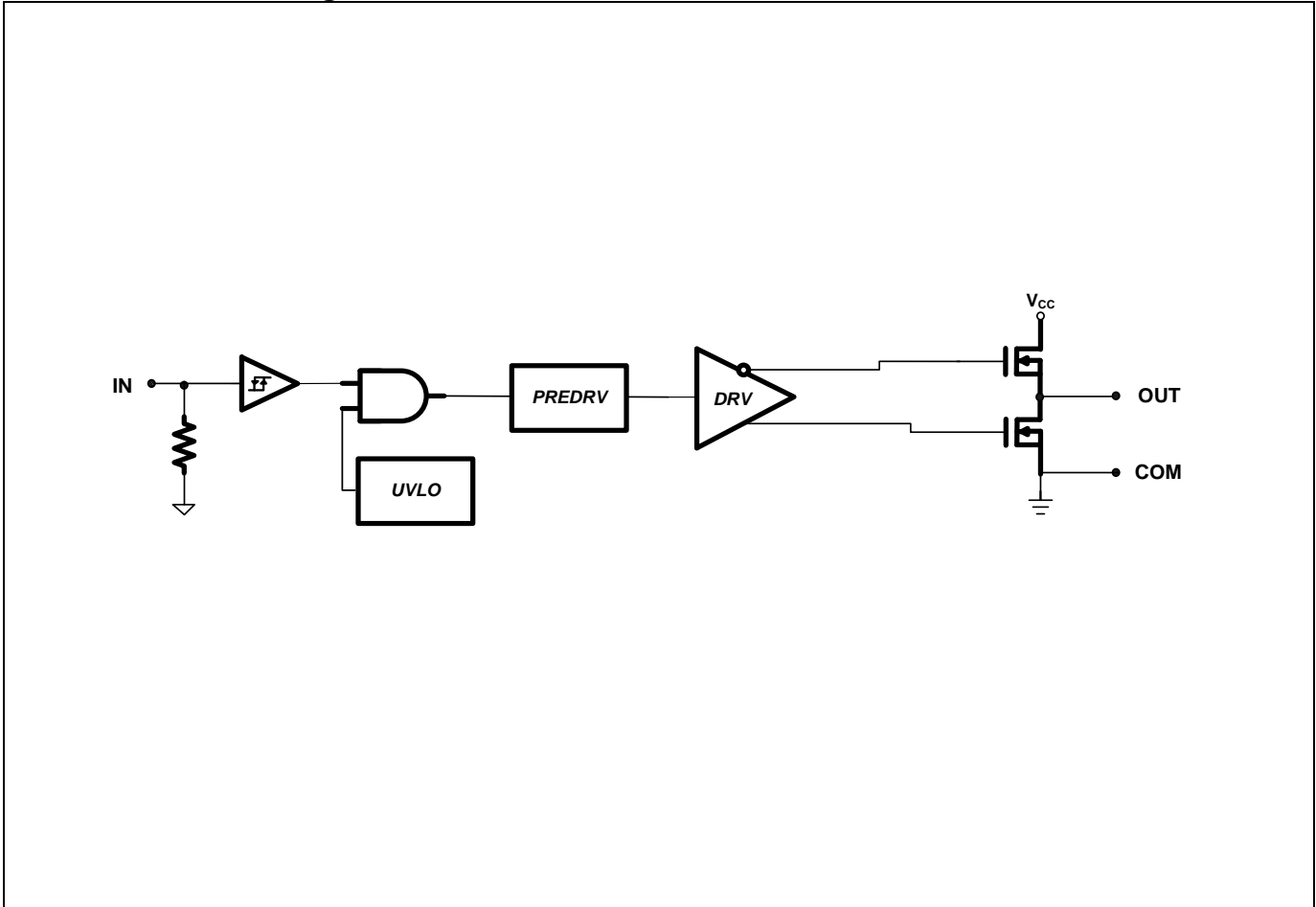
Symbol	Definition	Min	Typ	Max	Units	Test Conditions
V_{CCUV+}	Vcc supply UVLO positive going threshold	—	—	5.0	V	
V_{CCUV-}	Vcc supply UVLO negative going threshold	4.15	—	—		
V_{CCUVH}	Vcc supply UVLO hysteresis	—	0.3	—		
V_{IL}	Logic "0" input voltage (OUT = LO)	—	—	0.6		
V_{IH}	Logic "1" input voltage (OUT = HI)	2.7	—	—		
V_{OH}	High level output voltage, $V_{BIAS} - V_{OH}$	—	—	2.0		
V_{OL}	Low level output voltage, V_O	—	—	0.35		$I_O = 20 \text{ mA}$
I_{IN+}	Logic "1" input bias current	—	5	15	μA	$V_{IN} = 5V$
I_{IN-}	Logic "0" input bias current	-30	-10	—		$V_{IN} = 0V$
I_{QCC}	Quiescent V_{CC} supply current	—	—	400		$V_{IN} = 0V \text{ or } 5V$
I_{O+}	Output high short circuit pulsed current	—	0.30	—	A	$V_O = 0V, V_{IN} = 5V$
I_{O-}	Output low short circuit pulsed current	—	0.55	—		$V_O = 15V, V_{IN} = 0V$

Dynamic Electrical Characteristics

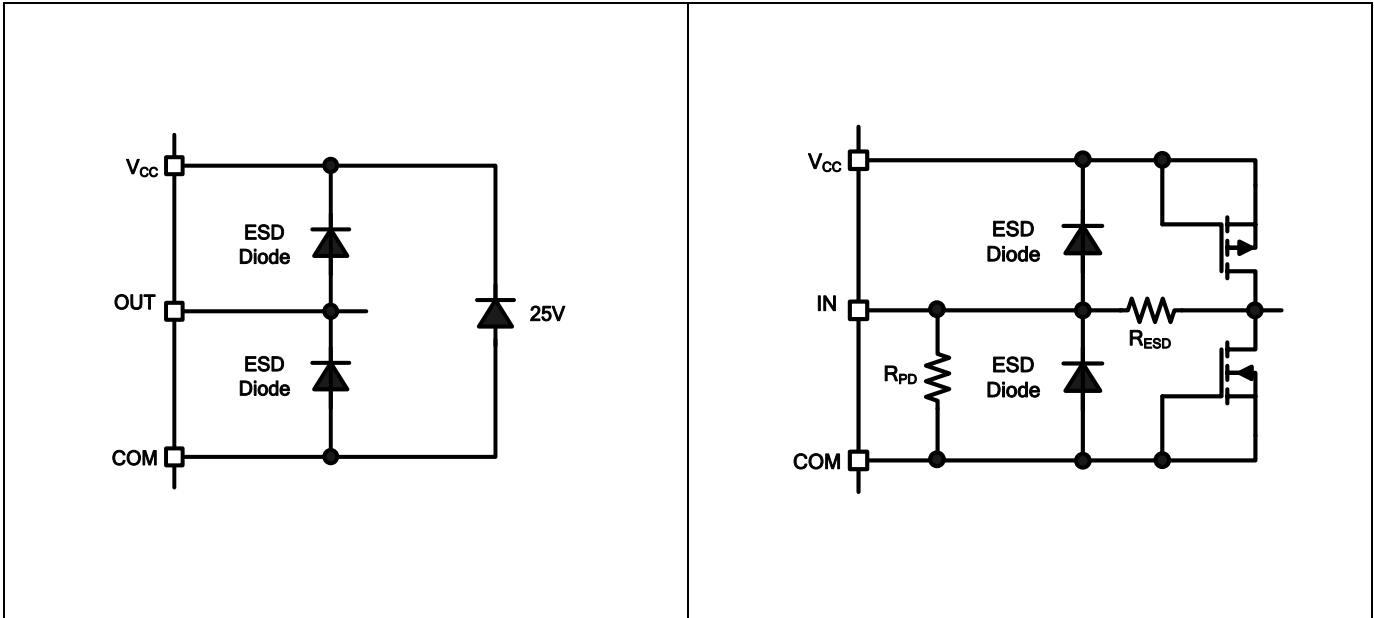
$V_{CC} = 15V$, $T_A = 25^\circ C$, and $C_L = 1000pF$ unless otherwise specified.

Symbol	Definition	Min	Typ	Max	Units	Test Conditions
t_{on}	Turn-on propagation delay	—	50	—	ns	Figure 2
t_{off}	Turn-off propagation delay	—	50	—		
t_r	Turn-on rise time	—	85	—		
t_f	Turn-off fall time	—	40	—		

Functional Block Diagram



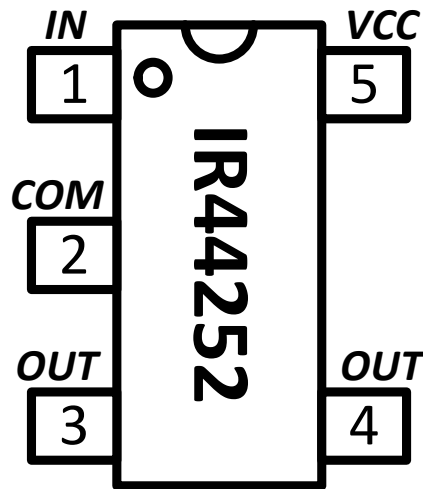
Input/Output Pin Equivalent Circuit Diagrams



Pin Definitions

Pin	Symbol	Description
1	IN	Logic input for gate driver output (OUT), in phase
2	COM	Ground
3	OUT	Gate drive output
4	OUT	Gate drive output
5	VCC	Supply Voltage

Pin Assignments



Timing Diagrams

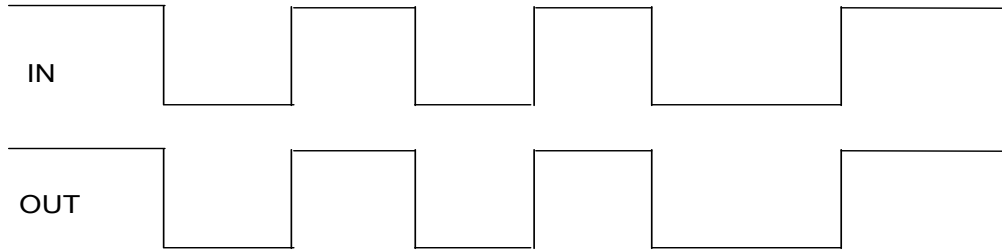


Figure 1: Input/output Timing Diagram

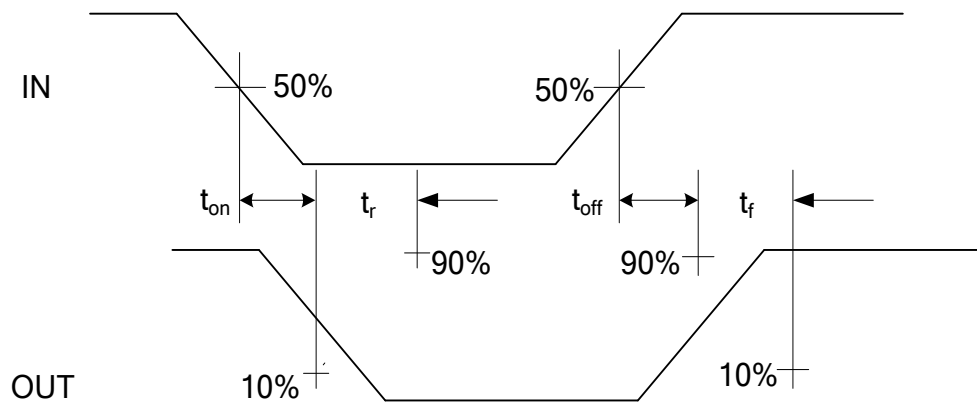
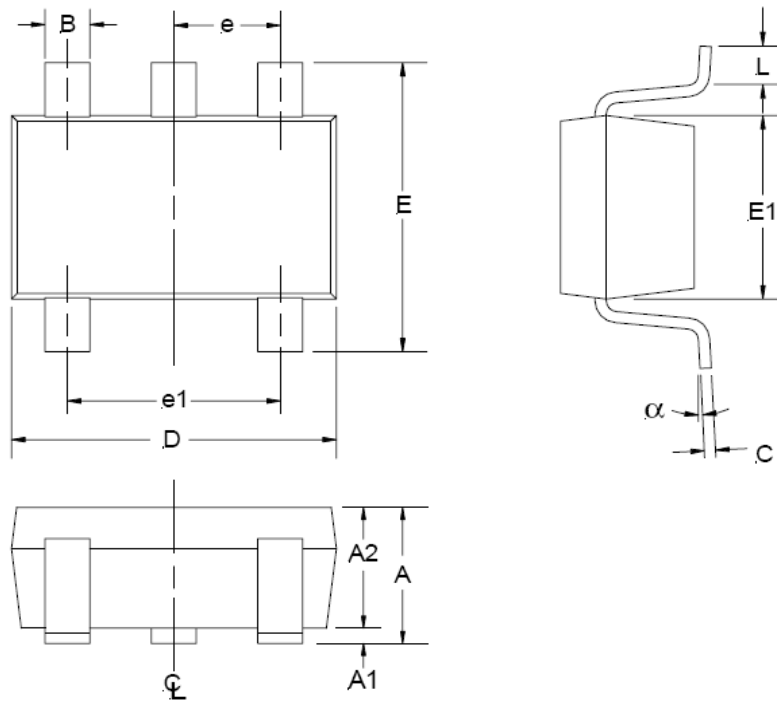


Figure 2: Switching Time Waveform Definitions

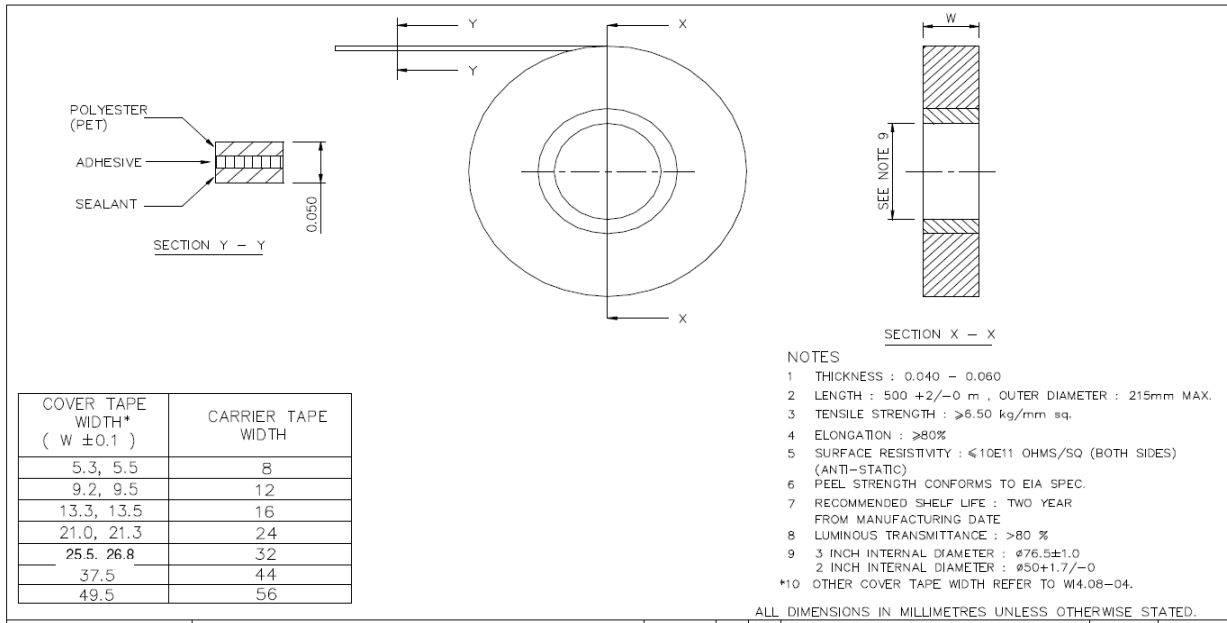
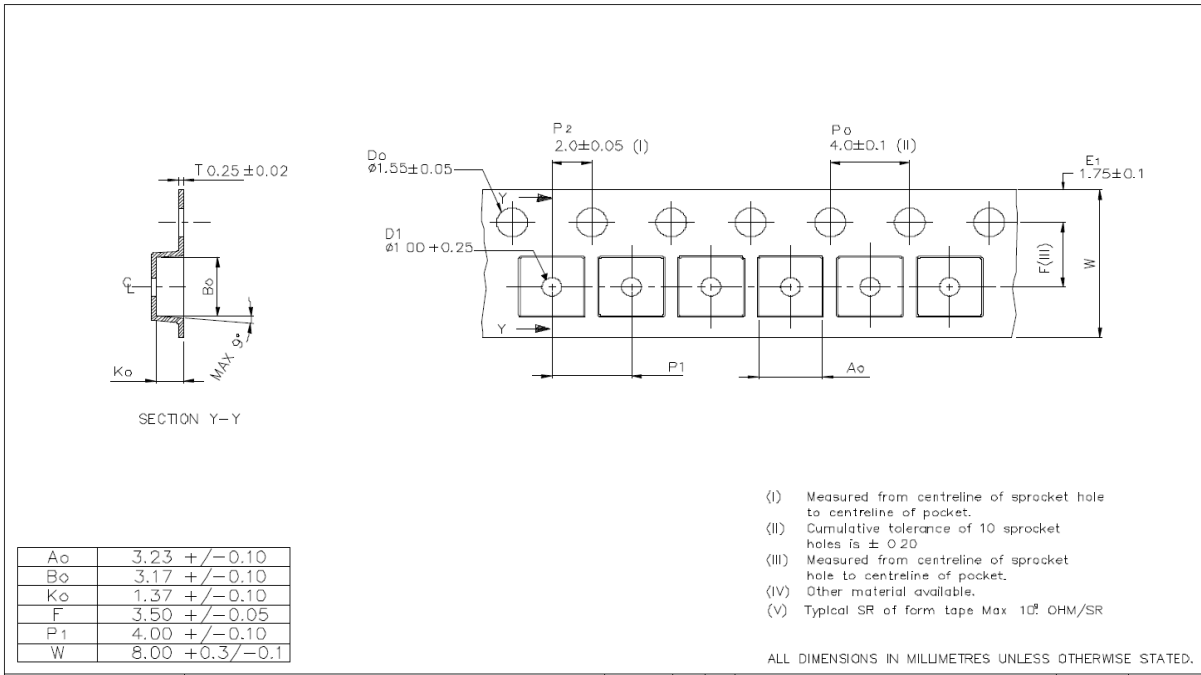
Package Details: 5-Lead SOT23



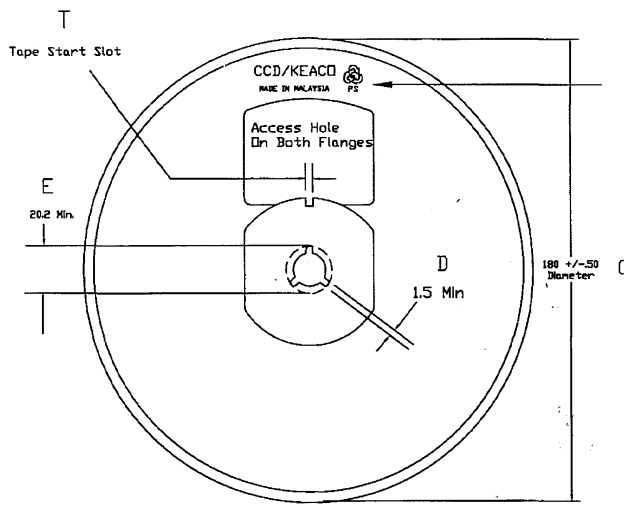
SYMBOL	MIN	MAX
A	0.90	1.45
A1	0.00	0.15
A2	0.90	1.30
B	0.25	0.50
C	0.09	0.20
D	2.80	3.00
E	2.60	3.00
E1	1.50	1.75
e	0.95 REF	
e1	1.90 REF	
L	0.35	0.55
α	0°	10°

NOTE: ALL MEASUREMENTS ARE IN MILLIMETERS.

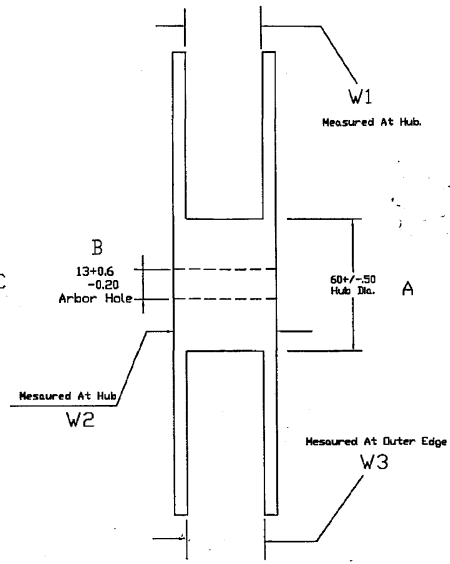
Tape and Reel Details: 5-Lead SOT23



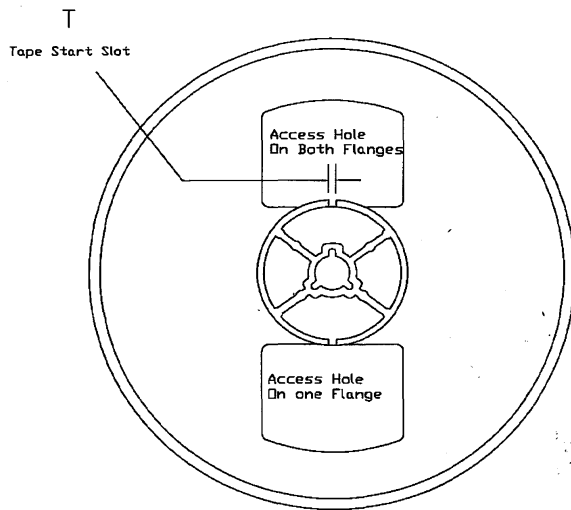
Tape and Reel Details: 5-Lead SOT23



FRONT VIEW



SIDE VIEW

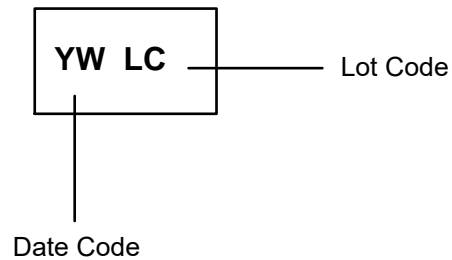


BACK VIEW

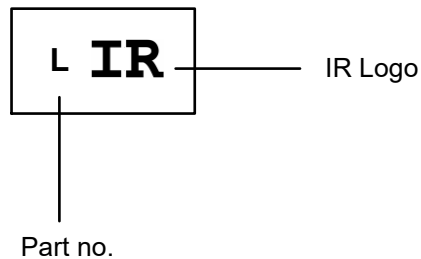
- NOTE:
1. MATERIAL : POLYSTRENE
 2. SURFACE RESISTIVITY : $\leq 10E11$ OHMS/SQ (EXTERNAL OR DIPPED)
 3. STATIC DECAY : < 2 SEC. AT 50%RH

Part Marking Information

Top Marking



Bottom Marking



The information provided in this document is believed to be accurate and reliable. However, International Rectifier assumes no responsibility for the consequences of the use of this information. International Rectifier assumes no responsibility for any infringement of patents or of other rights of third parties which may result from the use of this information. No license is granted by implication or otherwise under any patent or patent rights of International Rectifier. The specifications mentioned in this document are subject to change without notice. This document supersedes and replaces all information previously supplied.

For technical support, please contact IR's Technical Assistance Center
<http://www.irf.com/technical-info/>

WORLD HEADQUARTERS:
101N Sepulveda Blvd., El Segundo, California 90245
Tel: (310) 252-7105