

# LM556 Dual Timer

## 1 Features

- Direct Replacement for SE556/NE556
- Timing From Microseconds Through Hours
- Operates in Both Astable and Monostable Modes
- Replaces Two 555 Timers
- Adjustable Duty Cycle
- Output Can Source or Sink 200 mA
- Output and Supply TTL-Compatible
- Temperature Stability Better Than 0.005% per °C
- Normally On and Normally Off Output

## 2 Applications

- Precision Timing
- Pulse Generation
- Sequential Timing
- Time Delay Generation
- Pulse Width Modulation
- Pulse Position Modulation
- Linear Ramp Generator

## 3 Description

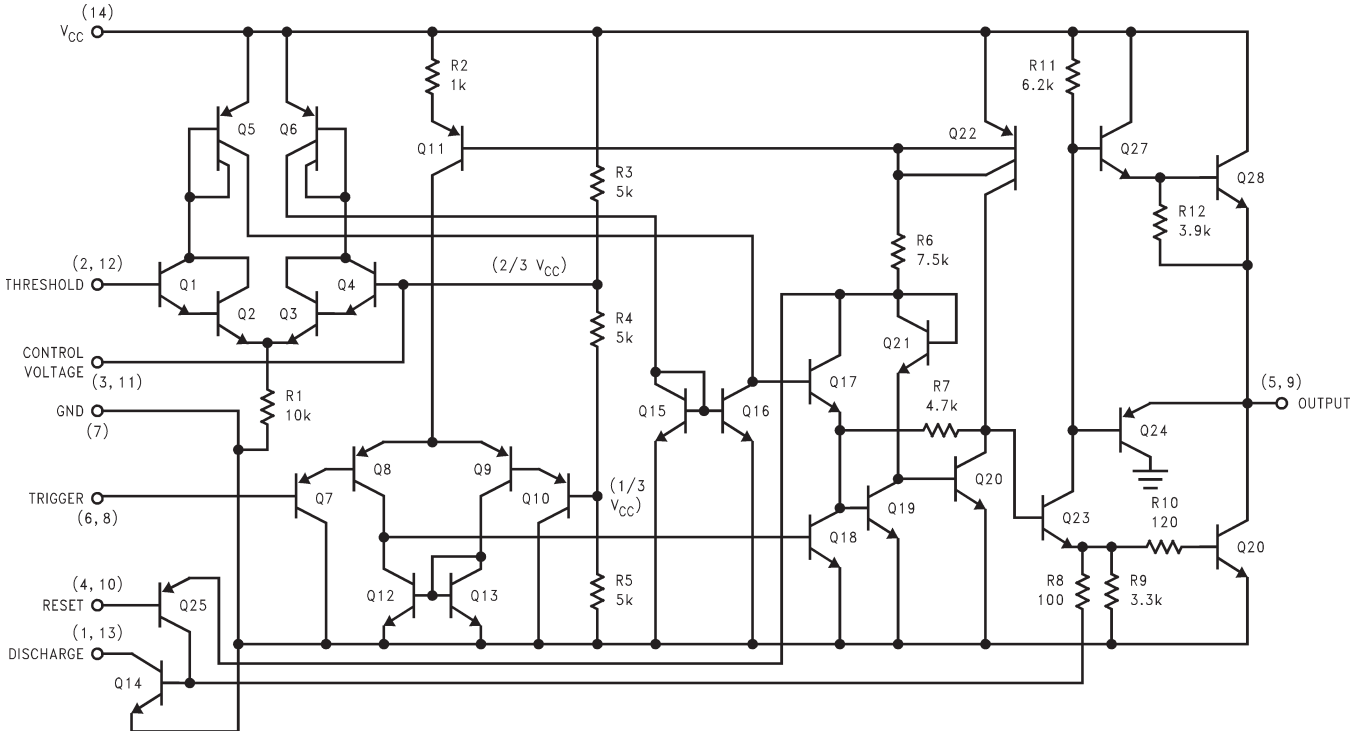
The LM556 dual-timing circuit is a highly-stable controller capable of producing accurate time delays or oscillation. The LM556 device is a dual-timing version of the LM555 device. Timing is provided by an external resistor and capacitor for each timing function. The two timers operate independently of each other, sharing only  $V_{CC}$  and ground. The circuits may be triggered and reset on falling waveforms. The output structures may sink or source 200 mA.

### Device Information<sup>(1)</sup>

PART NUMBER	PACKAGE	BODY SIZE (NOM)
LM556	SOIC (14)	3.91 mm x 8.65 mm
	PDIP (14)	6.35 mm x 19.177 mm

(1) For all available packages, see the orderable addendum at the end of the data sheet.

## Schematic Diagram



## Table of Contents

<b>1 Features</b> .....	<b>1</b>	7.4 Device Functional Modes.....	<b>8</b>
<b>2 Applications</b> .....	<b>1</b>	<b>8 Application and Implementation</b> .....	<b>10</b>
<b>3 Description</b> .....	<b>1</b>	8.1 Application Information.....	<b>10</b>
<b>4 Revision History</b> .....	<b>2</b>	8.2 Typical Application .....	<b>10</b>
<b>5 Pin Configuration and Functions</b> .....	<b>3</b>	<b>9 Power Supply Recommendations</b> .....	<b>12</b>
<b>6 Specifications</b> .....	<b>4</b>	<b>10 Layout</b> .....	<b>12</b>
6.1 Absolute Maximum Ratings .....	4	10.1 Layout Guidelines .....	12
6.2 ESD Ratings.....	4	10.2 Layout Example .....	12
6.3 Recommended Operating Conditions.....	4	<b>11 Device and Documentation Support</b> .....	<b>13</b>
6.4 Thermal Information .....	4	11.1 Documentation Support .....	13
6.5 Electrical Characteristics.....	5	11.2 Community Resources.....	13
6.6 Typical Characteristics .....	6	11.3 Trademarks .....	13
<b>7 Detailed Description</b> .....	<b>8</b>	11.4 Electrostatic Discharge Caution.....	13
7.1 Overview .....	8	11.5 Glossary .....	13
7.2 Functional Block Diagram .....	8	<b>12 Mechanical, Packaging, and Orderable</b>	
7.3 Feature Description.....	8	<b>Information</b> .....	<b>13</b>

## 4 Revision History

NOTE: Page numbers for previous revisions may differ from page numbers in the current version.

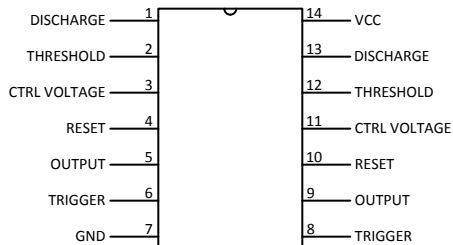
### Changes from Original (March 2000) to Revision A

Page

- Added *ESD Ratings* table, *Feature Description* section, *Device Functional Modes*, *Application and Implementation* section, *Power Supply Recommendations* section, *Layout* section, *Device and Documentation Support* section, and *Mechanical, Packaging, and Orderable Information* section. .... **1**
- Deleted the  $V_{CC} = 5\text{ V}$  and  $I_{SINK} = 8\text{ mA}$  test condition row for the Output voltage drop parameter in the *Electrical Characteristics* table .....

## 5 Pin Configuration and Functions

**D or NFF Package  
14-Pin SOIC or PDIP  
Top View**



**Pin Functions**

PIN		I/O	DESCRIPTION
NAME	NO.		
CONTROL VOLTAGE (Timer 0)	3	I	Controls the threshold and trigger levels. It determines the pulse width of the output waveform. An external voltage applied to this pin can also be used to modulate the output waveform.
CONTROL VOLTAGE (Timer 1)	11	I	Controls the threshold and trigger levels. It determines the pulse width of the output waveform. An external voltage applied to this pin can also be used to modulate the output waveform.
DISCHARGE (Timer 0)	1	I	Open collector output which discharges a capacitor between intervals (in phase with output). It toggles the output from high to low when voltage reaches 2/3 of supply voltage.
DISCHARGE (Timer 1)	13	I	Open collector output which discharges a capacitor between intervals (in phase with output). It toggles the output from high to low when voltage reaches 2/3 of supply voltage.
GND	7	O	Ground reference voltage
OUTPUT (Timer 0)	5	O	Output driven waveform
OUTPUT (Timer 1)	9	O	Output driven waveform
RESET (Timer 0)	4	I	Negative pulse applied to this pin to disable or reset the timer. When not used for reset purposes, it should be connected to V <sub>CC</sub> to avoid false triggering.
RESET (Timer 1)	10	I	Negative pulse applied to this pin to disable or reset the timer. When not used for reset purposes, it should be connected to V <sub>CC</sub> to avoid false triggering.
THRESHOLD (Timer 0)	2	I	Compares the voltage applied to the terminal with a reference voltage of 2/3 V <sub>CC</sub> . The amplitude of voltage applied to this terminal is responsible for the set state of the flip-flop.
TRIGGER (Timer 0)	6	I	Responsible for transition of the flip-flop from set to reset. The output of the timer depends on the amplitude of the external trigger pulse applied to this pin.
THRESHOLD (Timer 1)	12	I	Compares the voltage applied to the terminal with a reference voltage of 2/3 V <sub>CC</sub> . The amplitude of voltage applied to this terminal is responsible for the set state of the flip-flop.
TRIGGER (Timer 1)	8	I	Responsible for transition of the flip-flop from set to reset. The output of the timer depends on the amplitude of the external trigger pulse applied to this pin.
VCC	14	I	Supply voltage with respect to GND

## 6 Specifications

### 6.1 Absolute Maximum Ratings

 over operating free-air temperature range (unless otherwise noted)<sup>(1)(2)</sup>

		MIN	MAX	UNIT
Supply voltage			18	V
Power dissipation <sup>(3)</sup>	LM556CM		410	mW
	LM556CN		1620	
Operating temperature, LM556C		0	70	°C
Soldering information	PDIP package soldering (10 seconds)		260	°C
	SOIC package vapor phase (60 seconds)		215	
	SOIC package infrared (15 seconds)		220	
Storage temperature, T <sub>stg</sub>		-65	150	°C

- (1) Stresses beyond those listed under *Absolute Maximum Ratings* may cause permanent damage to the device. These are stress ratings only, which do not imply functional operation of the device at these or any other conditions beyond those indicated under *Recommended Operating Conditions*. Exposure to absolute-maximum-rated conditions for extended periods may affect device reliability.
- (2) If Military/Aerospace specified devices are required, please contact the National Semiconductor Sales Office/ Distributors for availability and specifications.
- (3) For operating at elevated temperatures the device must be derated based on a 150°C maximum junction temperature and a thermal resistance of 77°C/W (Plastic Dip), and 110°C/W (SO-14 Narrow).

### 6.2 ESD Ratings

		VALUE	UNIT
V <sub>(ESD)</sub>	Electrostatic discharge Human body model (HBM), per ANSI/ESDA/JEDEC JS-001 <sup>(1)</sup>	±500	V

- (1) JEDEC document JEP155 states that 500-V HBM allows safe manufacturing with a standard ESD control process.

### 6.3 Recommended Operating Conditions

over operating free-air temperature range (unless otherwise noted)

		MIN	MAX	UNIT
V <sub>CC</sub>	Supply voltage	4.5	16	V
T <sub>A</sub>	Operating temperature	0	70	°C

### 6.4 Thermal Information

THERMAL METRIC <sup>(1)</sup>	LM556		UNIT	
	D (SOIC)	NFF (PDIP)		
	14 PINS	14 PINS		
R <sub>θJA</sub>	Junction-to-ambient thermal resistance	85.3	48.0	°C/W
R <sub>θJC(top)</sub>	Junction-to-case (top) thermal resistance	45.8	34.9	°C/W
R <sub>θJB</sub>	Junction-to-board thermal resistance	39.6	27.9	°C/W
ψ <sub>JT</sub>	Junction-to-top characterization parameter	11.7	19.3	°C/W
ψ <sub>JB</sub>	Junction-to-board characterization parameter	39.4	27.8	°C/W
R <sub>θJC(bot)</sub>	Junction-to-case (bottom) thermal resistance	—	—	°C/W

- (1) For more information about traditional and new thermal metrics, see the *Semiconductor and IC Package Thermal Metrics* application report, [SPRA953](#).

## 6.5 Electrical Characteristics

 $T_A = 25^\circ\text{C}$ ,  $V_{CC} = 5\text{ V}$  to  $15\text{ V}$ , unless otherwise specified

PARAMETER		TEST CONDITIONS	MIN	TYP	MAX	UNIT
Supply voltage			4.5		16	V
Supply current (each timer section)		$V_{CC} = 5\text{ V}$ , $R_L = \infty$		3	6	mA
		$V_{CC} = 15\text{ V}$ , $R_L = \infty$ (low state) <sup>(1)</sup>		10	14	
Timing error, monostable	Initial accuracy	$R_A = 1\text{ k}$ to $100\text{ k}\Omega$ , $C = 0.1\ \mu\text{F}$ <sup>(2)</sup>		0.75%		ppm/ $^\circ\text{C}$
	Drift with temperature			50		
	Accuracy over temperature			1.5%		
	Drift with supply			0.1		
Timing error, astable	Initial accuracy	$R_A, R_B = 1\text{ k}$ to $100\text{ k}\Omega$ , $C = 0.1\ \mu\text{F}$ <sup>(2)</sup>		2.25%		ppm/ $^\circ\text{C}$
	Drift with temperature			150		
	Accuracy over temperature			3%		
	Drift with supply			0.30		
Trigger voltage	$V_{CC} = 15\text{ V}$		4.5	5	5.5	V
	$V_{CC} = 5\text{ V}$		1.25	1.67	2	
Trigger current				0.2	1	$\mu\text{A}$
Reset voltage			0.4	0.5	1	V
Reset current				0.1	0.6	mA
Threshold current	$V_{TH} = V\text{-control}$ <sup>(3)</sup>			0.03	0.1	$\mu\text{A}$
	$V_{TH} = 11.2\text{ V}$				250	nA
Control voltage level and threshold voltage	$V_{CC} = 15\text{ V}$		9	10	11	V
	$V_{CC} = 5\text{ V}$		2.6	3.33	4	
Pin 1, 13 leakage output high				1	100	nA
Pin 1, 13 sat output low <sup>(4)</sup>	$V_{CC} = 15\text{ V}$ , $I = 15\text{ mA}$			180	300	mV
	$V_{CC} = 4.5\text{ V}$ , $I = 4.5\text{ mA}$			80	200	
Output voltage drop (low)	$V_{CC} = 15\text{ V}$	$I_{SINK} = 10\text{ mA}$		0.1	0.25	V
		$I_{SINK} = 50\text{ mA}$		0.4	0.75	
		$I_{SINK} = 100\text{ mA}$		2	2.75	
		$I_{SINK} = 200\text{ mA}$		2.5		
	$V_{CC} = 5\text{ V}$ , $I_{SINK} = 5\text{ mA}$			0.25	0.35	
Output voltage drop (high)	$I_{SOURCE} = 200\text{ mA}$ , $V_{CC} = 15\text{ V}$			12.5		V
	$I_{SOURCE} = 100\text{ mA}$ , $V_{CC} = 15\text{ V}$		12.75	13.3		
	$V_{CC} = 5\text{ V}$		2.75	3.3		
Rise time of output				100		ns
Fall time of output				100		ns
Matching characteristics	Initial timing accuracy	See <sup>(5)</sup>		0.1%	2%	ppm/ $^\circ\text{C}$
	Timing drift with temperature			$\pm 10$		
	Drift with supply voltage				0.2	0.5

(1) Supply current when output high typically 1 mA less at  $V_{CC} = 5\text{ V}$ .

(2) Tested at  $V_{CC} = 5\text{ V}$  and  $V_{CC} = 15\text{ V}$ .

(3) This will determine the maximum value of  $R_A + R_B$  for 15-V operation. The maximum total ( $R_A + R_B$ ) is 20 M $\Omega$ .

(4) No protection against excessive pin 1, 13 current is necessary providing the package dissipation rating will not be exceeded.

(5) Matching characteristics refer to the difference between performance characteristics of each timer section.

## 6.6 Typical Characteristics

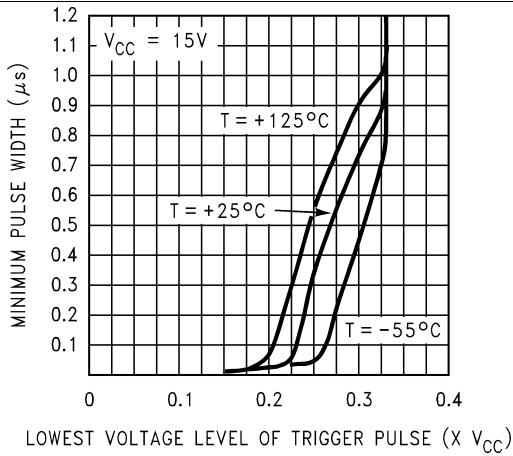


Figure 1. Minimum Pulse Width Required for Triggering

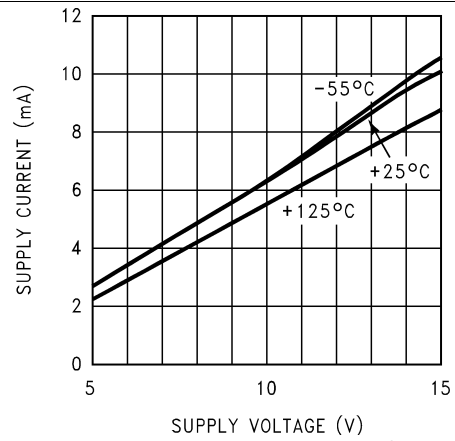


Figure 2. Supply Current vs Supply Voltage (Each Section)

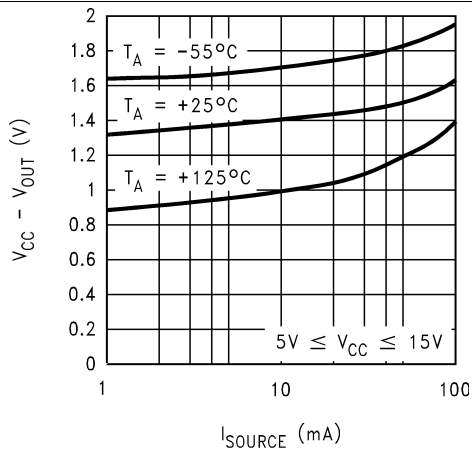


Figure 3. High Output Voltage vs Output Source Current

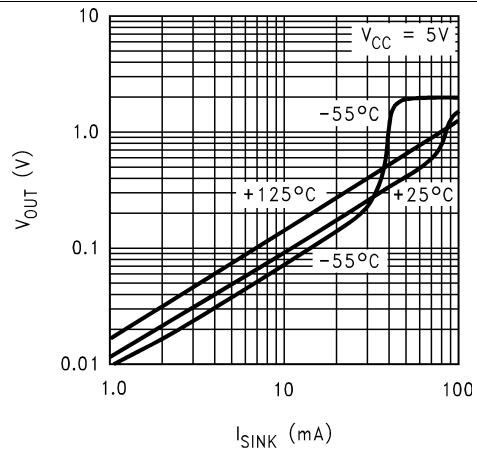


Figure 4. Low Output Voltage vs Output Sink Current

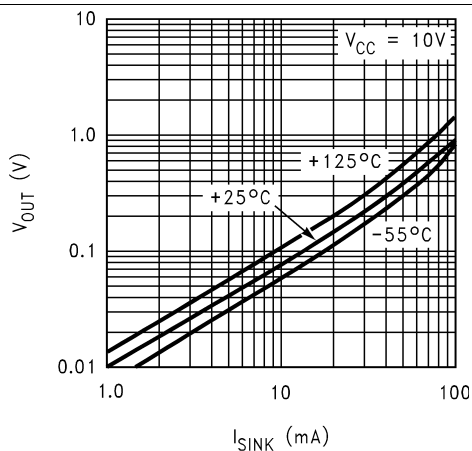


Figure 5. Low Output Voltage vs Output Sink Current

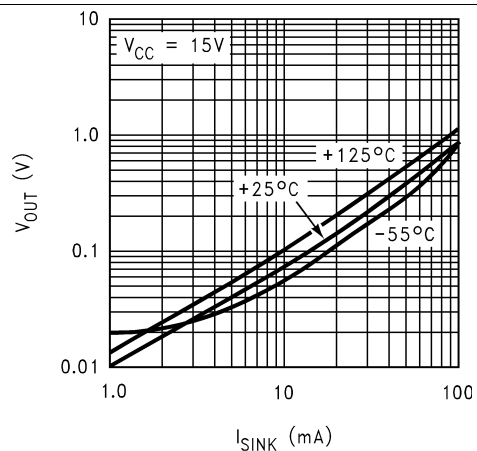


Figure 6. Low Output Voltage vs Output Sink Current

Typical Characteristics (continued)

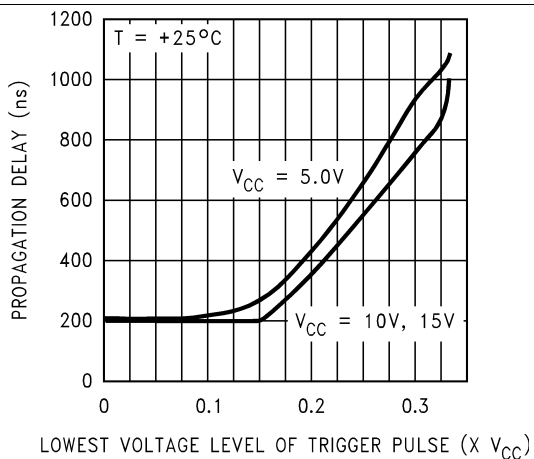


Figure 7. Output Propagation Delay vs Voltage Level of Trigger Pulse

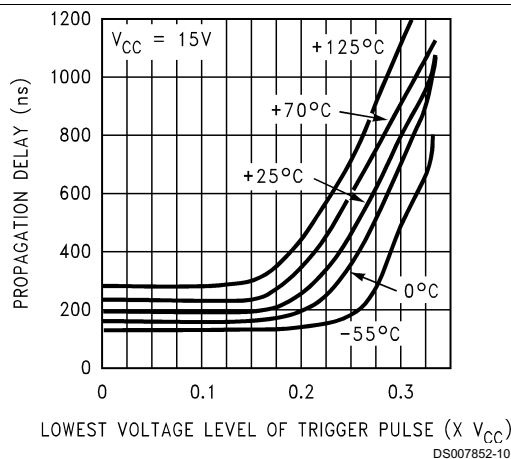


Figure 8. Output Propagation Delay vs Voltage Level of Trigger Pulse

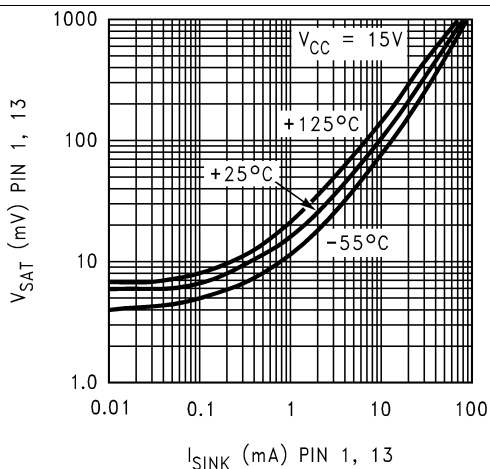


Figure 9. Discharge Transistor (Pin 1, 13) Voltage vs Sink Current

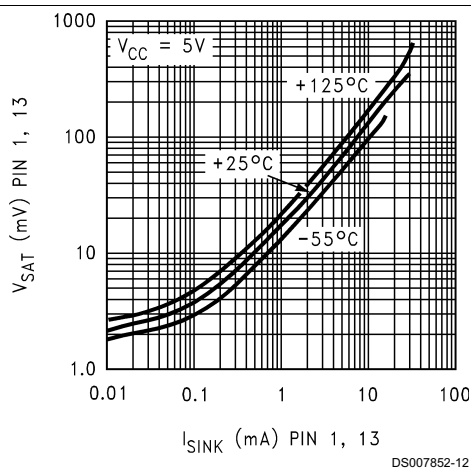


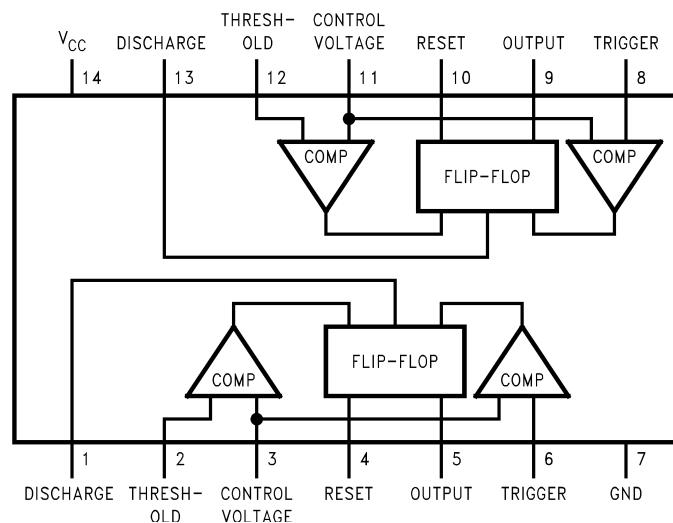
Figure 10. Discharge Transistor (Pin 1, 13) Voltage vs Sink Current

## 7 Detailed Description

### 7.1 Overview

The LM556 dual-timing circuit is a highly stable device for generating accurate time delays or oscillations. The two timers operate independently from one another, only sharing  $V_{CC}$  and ground. For each individual timer, additional terminals are provided for triggering or resetting. In the monostable mode of operation, the time is precisely controlled by one external resistor and capacitor. For astable mode operation as an oscillator, the free running frequency and duty cycle are accurately controlled with two external resistors and one capacitor. The circuit may be triggered and reset on falling waveforms and the output circuit can source or sink up to 200 mA.

### 7.2 Functional Block Diagram



### 7.3 Feature Description

#### 7.3.1 Operating Characteristics

The LM556 is specified for operation from 4.5 V to 16 V. Many of the specifications apply from 0°C to 70°C. Parameters that can exhibit significant variance with regard to operating voltage or temperature are presented [Electrical Characteristics](#) section and in [Typical Characteristics](#).

#### 7.3.2 Timing from Microseconds Through Hours

The LM556 has the ability to have timing parameters from the microseconds range to hours. The time delay of the system can be determined by the time constant of the R and C values used for either the monostable or astable configuration. A nomograph is available for easy determination of R and C values for various time delays.

### 7.4 Device Functional Modes

The LM556 can operate in both astable and monostable mode depending on the application requirements.

#### 7.4.1 Monostable Mode

The LM556 timer acts as a one-shot pulse generator. The pulse begins when the LM556 timer receives a signal at the trigger input that falls below 1/3 of the voltage supply. The width of the output pulse is determined by the time constant of an RC network. The output pulse ends when the voltage on the capacitor equals 2/3 of the supply voltage. The output pulse width can be extended or shortened depending on the application by adjusting the R and C values. More details are given in the LM555 datasheet ([SNAS548](#)).



Device Functional Modes (continued)

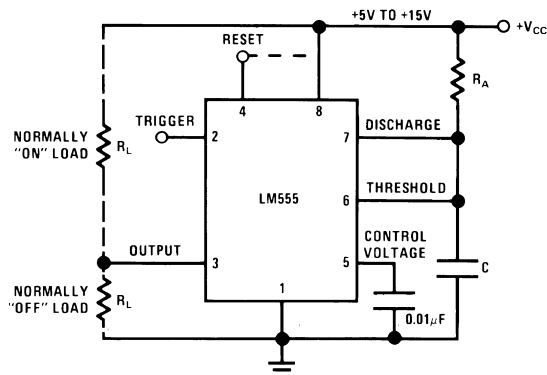


Figure 11. Monostable

7.4.2 Astable (Free-Running) Mode

The LM556 timer can operate as an oscillator and puts out a continuous stream of rectangular pulses having a specified frequency. The frequency of the pulse stream depends on the values of RA, RB, and C. Again, more details are given in the LM555 datasheet ([SNAS548](#)).

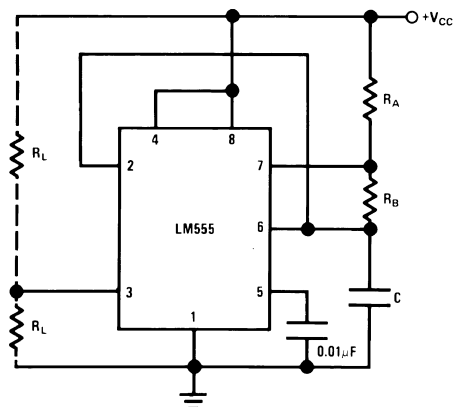


Figure 12. Astable

## 8 Application and Implementation

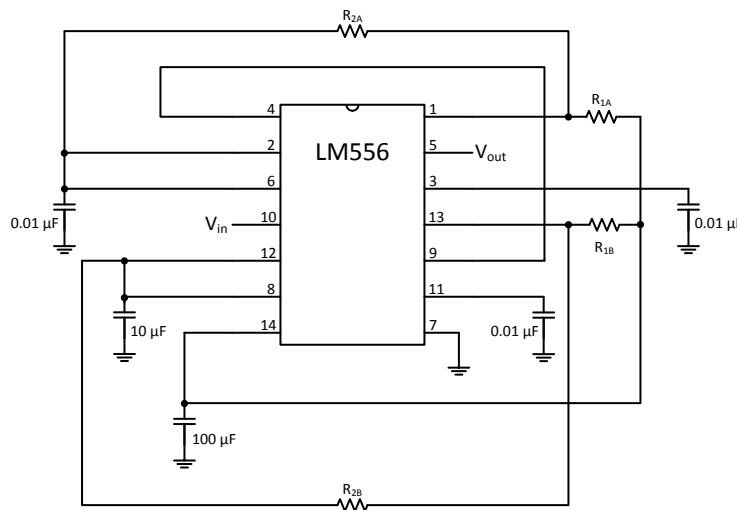
### NOTE

Information in the following applications sections is not part of the TI component specification, and TI does not warrant its accuracy or completeness. TI's customers are responsible for determining suitability of components for their purposes. Customers should validate and test their design implementation to confirm system functionality.

### 8.1 Application Information

The LM556 timer can be used in various configurations. A typical application for the LM556 timer in astable mode is to drive an audio device (such as a beeper) to provide a pulsed sound. This simple application can be modified to fit any application requirement.

### 8.2 Typical Application



**Figure 13. Typical Application**

#### 8.2.1 Design Requirements

The main design requirements for this application require setting one of the timers (Timer A in this case) to the same resonant frequency as the piezo transducer which can be set by choosing  $R_{1A}$ ,  $R_{2A}$ , and  $C_A$  with [Equation 1](#):

$$f_o = \frac{1.44}{((R_{1A} + 2R_{2A})C)} \quad (1)$$

The other design choice is to decide how often and long to produce the bleeping sound. This can be set by choosing  $R_{1B}$  and  $R_{2B}$  of Timer B (acts as the reset button for Timer A) with [Equation 2](#):

$$D = \frac{R_{2B}}{R_{1B} + R_{2B}} \quad (2)$$

Other useful design equations like [Equation 3](#) and [Equation 4](#) are given below where  $t_h$  represents the time it takes to charge the capacitor of each individual timer and  $t_l$  represents the time it takes to discharge the capacitor.

**Typical Application (continued)**

$$t_h = 0.693(R_1 + R_2)C$$

where

- $t_h$  represents the time it takes to charge the capacitor of each individual timer (3)

$$t_l = 0.693R_2C$$

where

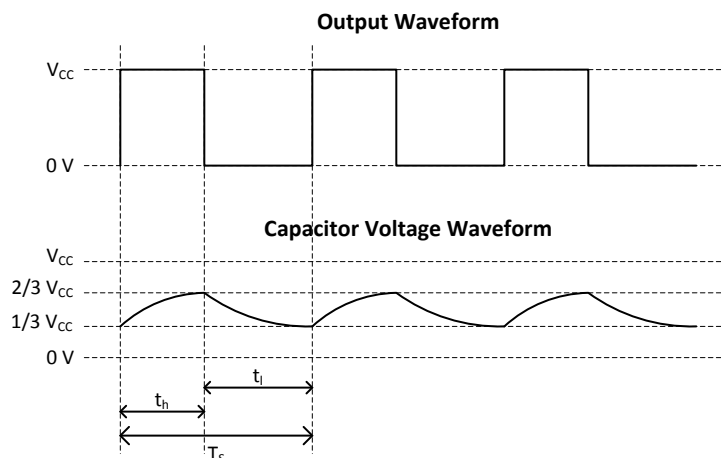
- $t_l$  represents the time it takes to discharge the capacitor. (4)

**8.2.2 Detailed Design Procedure**

Given that the resonant frequency of the piezo transducer is about 3 kHz, by choosing  $R_1$ ,  $C$  and using Equation 1,  $R_2$  can be determined to be 23.5 kΩ.

In order to have the sound be audible for half the period, the duty cycle for the triggering timer should be 50%. However, this is difficult to achieve because the recommended minimum value for  $R_1$  is 1 kΩ. Therefore, a duty cycle of 49% was chosen for this application. By choosing  $R_1$  to be 1 kΩ and using Equation 2,  $R_2$  is found to be 24.5 kΩ.

**8.2.3 Application Curve**



**Figure 14. Capacitor Voltage and Output Waveforms in Astable Mode**

## 9 Power Supply Recommendations

The LM556 requires a voltage supply within 4.5 V to 16 V. Adequate power supply bypassing is necessary to protect associated circuitry. The minimum recommended capacitor value is 0.1  $\mu$ F in parallel with a 1- $\mu$ F electrolytic capacitor. Place the bypass capacitors as close as possible to the LM556 and minimize the trace length.

### CAUTION

Supply voltages larger than 18 V can permanently damage the device; see the [Absolute Maximum Ratings](#) table.

## 10 Layout

### 10.1 Layout Guidelines

Standard PCB rules apply to routing the LM556. The parallel combination of a 0.1- $\mu$ F capacitor and a 1- $\mu$ F electrolytic capacitor should be as close as possible to the LM556. The capacitor used for the time delay should also be placed as close as possible to the discharge pin. A ground plane on the bottom layer can be used to provide better noise immunity and signal integrity.

### 10.2 Layout Example

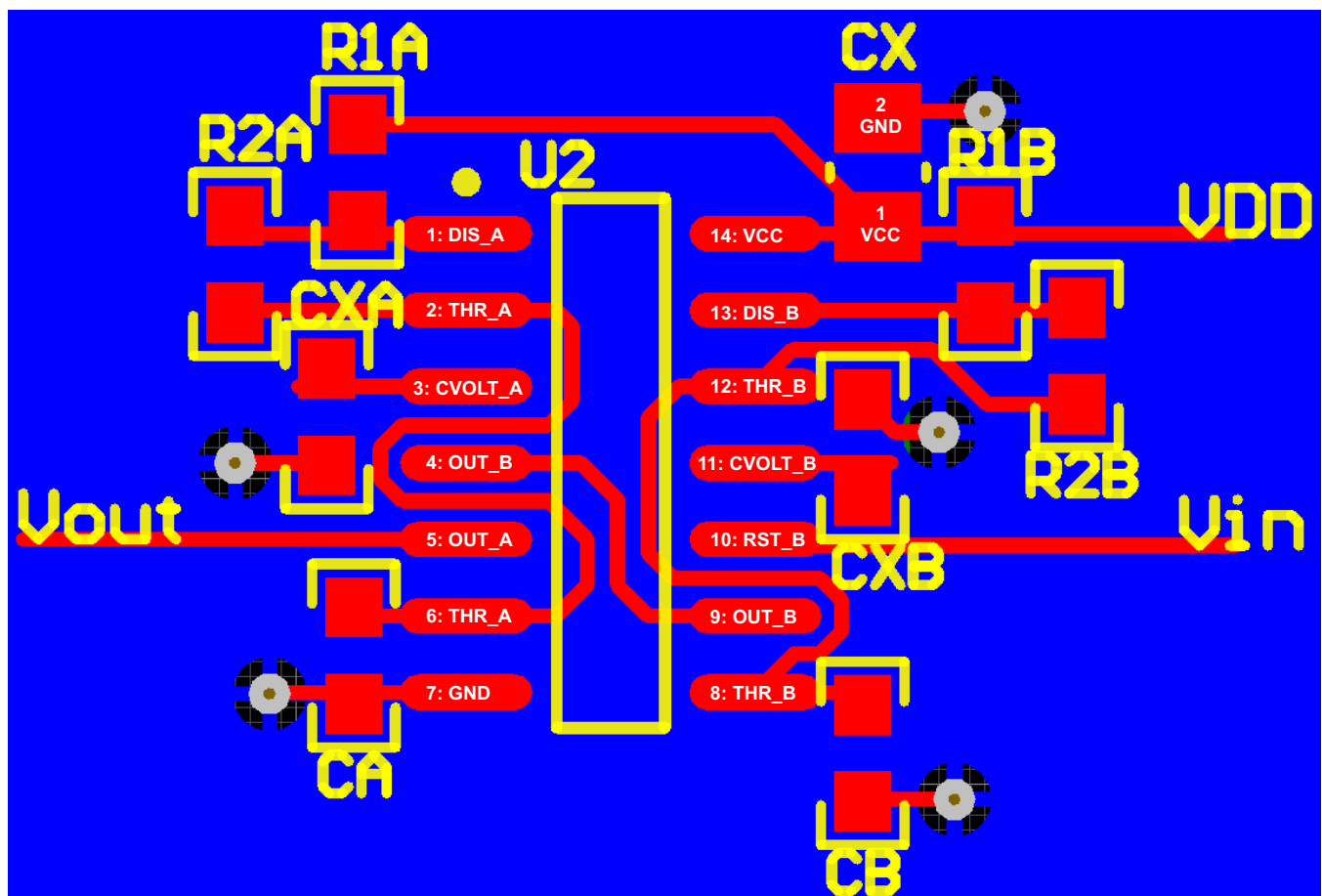


Figure 15. Layout Example

## 11 Device and Documentation Support

### 11.1 Documentation Support

#### 11.1.1 Related Documentation

For related documentation, see the following:

*LM555 Timer*, [SNAS548](#)

### 11.2 Community Resources

The following links connect to TI community resources. Linked contents are provided "AS IS" by the respective contributors. They do not constitute TI specifications and do not necessarily reflect TI's views; see TI's [Terms of Use](#).

**TI E2E™ Online Community** *TI's Engineer-to-Engineer (E2E) Community*. Created to foster collaboration among engineers. At [e2e.ti.com](#), you can ask questions, share knowledge, explore ideas and help solve problems with fellow engineers.

**Design Support** *TI's Design Support* Quickly find helpful E2E forums along with design support tools and contact information for technical support.

### 11.3 Trademarks

E2E is a trademark of Texas Instruments.  
All other trademarks are the property of their respective owners.

### 11.4 Electrostatic Discharge Caution



These devices have limited built-in ESD protection. The leads should be shorted together or the device placed in conductive foam during storage or handling to prevent electrostatic damage to the MOS gates.

### 11.5 Glossary

[SLYZ022](#) — *TI Glossary*.

This glossary lists and explains terms, acronyms, and definitions.

## 12 Mechanical, Packaging, and Orderable Information

The following pages include mechanical, packaging, and orderable information. This information is the most current data available for the designated devices. This data is subject to change without notice and revision of this document. For browser-based versions of this data sheet, refer to the left-hand navigation.

**PACKAGING INFORMATION**

Orderable Device	Status (1)	Package Type	Package Drawing	Pins	Package Qty	Eco Plan (2)	Lead/Ball Finish (6)	MSL Peak Temp (3)	Op Temp (°C)	Device Marking (4/5)	Samples
LM556 MWC	LIFEBUY	WAFERSALE	YS	0	1	Green (RoHS & no Sb/Br)	Call TI	Level-1-NA-UNLIM	-40 to 85		
LM556CM/NOPB	LIFEBUY	SOIC	D	14	55	Green (RoHS & no Sb/Br)	CU SN	Level-1-260C-UNLIM	0 to 70	LM556CM	
LM556CMX/NOPB	LIFEBUY	SOIC	D	14	2500	Green (RoHS & no Sb/Br)	CU SN	Level-1-260C-UNLIM	0 to 70	LM556CM	
LM556CN/NOPB	LIFEBUY	PDIP	NFF	14	25	Green (RoHS & no Sb/Br)	CU SN	Level-1-NA-UNLIM	0 to 70	LM556CN	

(1) The marketing status values are defined as follows:

**ACTIVE:** Product device recommended for new designs.

**LIFEBUY:** TI has announced that the device will be discontinued, and a lifetime-buy period is in effect.

**NRND:** Not recommended for new designs. Device is in production to support existing customers, but TI does not recommend using this part in a new design.

**PREVIEW:** Device has been announced but is not in production. Samples may or may not be available.

**OBSOLETE:** TI has discontinued the production of the device.

(2) **RoHS:** TI defines "RoHS" to mean semiconductor products that are compliant with the current EU RoHS requirements for all 10 RoHS substances, including the requirement that RoHS substance do not exceed 0.1% by weight in homogeneous materials. Where designed to be soldered at high temperatures, "RoHS" products are suitable for use in specified lead-free processes. TI may reference these types of products as "Pb-Free".

**RoHS Exempt:** TI defines "RoHS Exempt" to mean products that contain lead but are compliant with EU RoHS pursuant to a specific EU RoHS exemption.

**Green:** TI defines "Green" to mean the content of Chlorine (Cl) and Bromine (Br) based flame retardants meet JS709B low halogen requirements of <=1000ppm threshold. Antimony trioxide based flame retardants must also meet the <=1000ppm threshold requirement.

(3) MSL, Peak Temp. - The Moisture Sensitivity Level rating according to the JEDEC industry standard classifications, and peak solder temperature.

(4) There may be additional marking, which relates to the logo, the lot trace code information, or the environmental category on the device.

(5) Multiple Device Markings will be inside parentheses. Only one Device Marking contained in parentheses and separated by a "-" will appear on a device. If a line is indented then it is a continuation of the previous line and the two combined represent the entire Device Marking for that device.

(6) Lead/Ball Finish - Orderable Devices may have multiple material finish options. Finish options are separated by a vertical ruled line. Lead/Ball Finish values may wrap to two lines if the finish value exceeds the maximum column width.

**Important Information and Disclaimer:**The information provided on this page represents TI's knowledge and belief as of the date that it is provided. TI bases its knowledge and belief on information provided by third parties, and makes no representation or warranty as to the accuracy of such information. Efforts are underway to better integrate information from third parties. TI has taken and

continues to take reasonable steps to provide representative and accurate information but may not have conducted destructive testing or chemical analysis on incoming materials and chemicals. TI and TI suppliers consider certain information to be proprietary, and thus CAS numbers and other limited information may not be available for release.

In no event shall TI's liability arising out of such information exceed the total purchase price of the TI part(s) at issue in this document sold by TI to Customer on an annual basis.

## TAPE AND REEL INFORMATION



### QUADRANT ASSIGNMENTS FOR PIN 1 ORIENTATION IN TAPE



\*All dimensions are nominal

Device	Package Type	Package Drawing	Pins	SPQ	Reel Diameter (mm)	Reel Width W1 (mm)	A0 (mm)	B0 (mm)	K0 (mm)	P1 (mm)	W (mm)	Pin1 Quadrant
LM556CMX/NOPB	SOIC	D	14	2500	330.0	16.4	6.5	9.35	2.3	8.0	16.0	Q1



TAPE AND REEL BOX DIMENSIONS

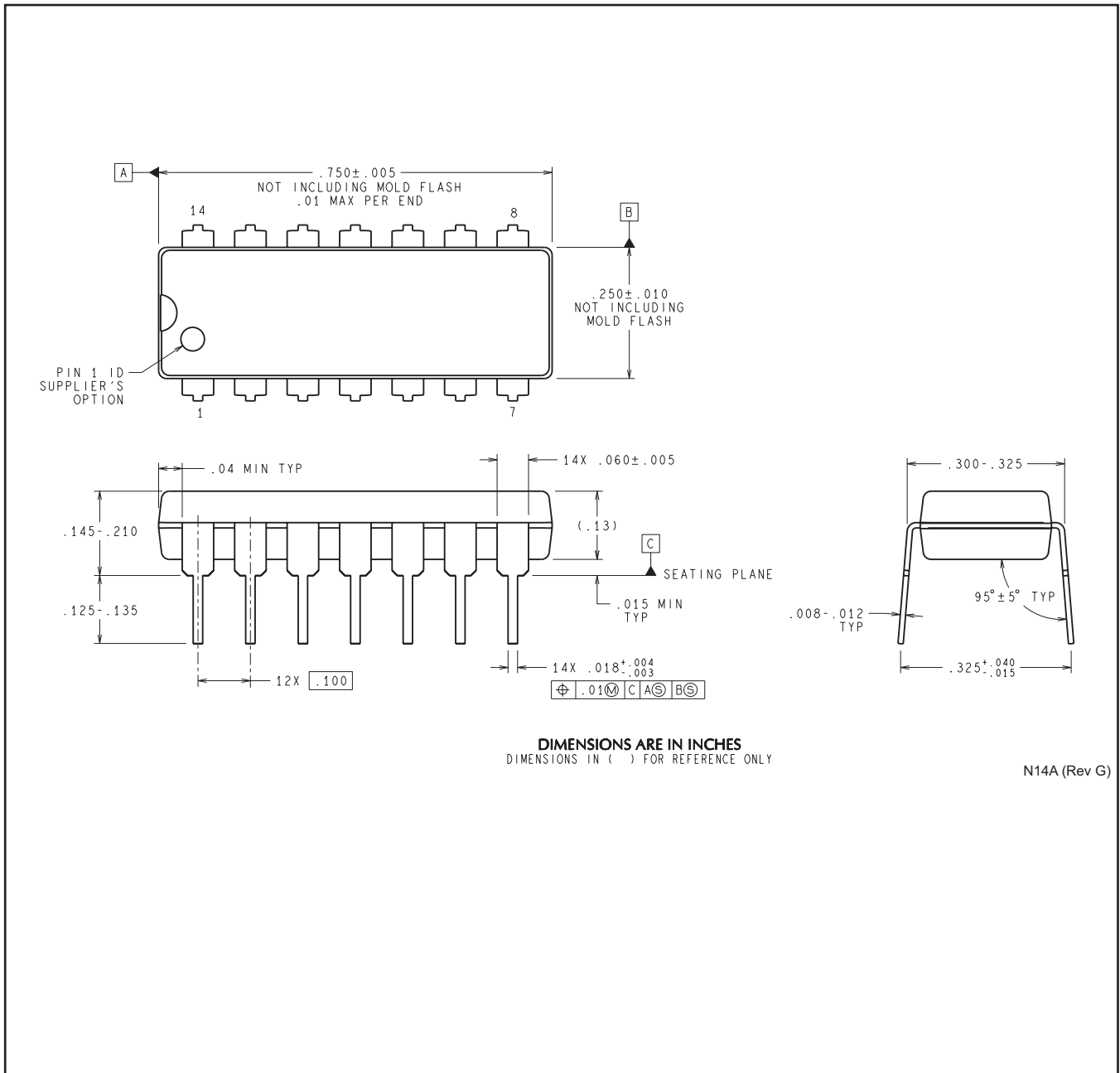


\*All dimensions are nominal

Device	Package Type	Package Drawing	Pins	SPQ	Length (mm)	Width (mm)	Height (mm)
LM556CMX/NOPB	SOIC	D	14	2500	367.0	367.0	35.0



NFF0014A



**DIMENSIONS ARE IN INCHES**  
 DIMENSIONS IN ( ) FOR REFERENCE ONLY

N14A (Rev G)

## IMPORTANT NOTICE

Texas Instruments Incorporated (TI) reserves the right to make corrections, enhancements, improvements and other changes to its semiconductor products and services per JESD46, latest issue, and to discontinue any product or service per JESD48, latest issue. Buyers should obtain the latest relevant information before placing orders and should verify that such information is current and complete.

TI's published terms of sale for semiconductor products (<http://www.ti.com/sc/docs/stdterms.htm>) apply to the sale of packaged integrated circuit products that TI has qualified and released to market. Additional terms may apply to the use or sale of other types of TI products and services.

Reproduction of significant portions of TI information in TI data sheets is permissible only if reproduction is without alteration and is accompanied by all associated warranties, conditions, limitations, and notices. TI is not responsible or liable for such reproduced documentation. Information of third parties may be subject to additional restrictions. Resale of TI products or services with statements different from or beyond the parameters stated by TI for that product or service voids all express and any implied warranties for the associated TI product or service and is an unfair and deceptive business practice. TI is not responsible or liable for any such statements.

Buyers and others who are developing systems that incorporate TI products (collectively, "Designers") understand and agree that Designers remain responsible for using their independent analysis, evaluation and judgment in designing their applications and that Designers have full and exclusive responsibility to assure the safety of Designers' applications and compliance of their applications (and of all TI products used in or for Designers' applications) with all applicable regulations, laws and other applicable requirements. Designer represents that, with respect to their applications, Designer has all the necessary expertise to create and implement safeguards that (1) anticipate dangerous consequences of failures, (2) monitor failures and their consequences, and (3) lessen the likelihood of failures that might cause harm and take appropriate actions. Designer agrees that prior to using or distributing any applications that include TI products, Designer will thoroughly test such applications and the functionality of such TI products as used in such applications.

TI's provision of technical, application or other design advice, quality characterization, reliability data or other services or information, including, but not limited to, reference designs and materials relating to evaluation modules, (collectively, "TI Resources") are intended to assist designers who are developing applications that incorporate TI products; by downloading, accessing or using TI Resources in any way, Designer (individually or, if Designer is acting on behalf of a company, Designer's company) agrees to use any particular TI Resource solely for this purpose and subject to the terms of this Notice.

TI's provision of TI Resources does not expand or otherwise alter TI's applicable published warranties or warranty disclaimers for TI products, and no additional obligations or liabilities arise from TI providing such TI Resources. TI reserves the right to make corrections, enhancements, improvements and other changes to its TI Resources. TI has not conducted any testing other than that specifically described in the published documentation for a particular TI Resource.

Designer is authorized to use, copy and modify any individual TI Resource only in connection with the development of applications that include the TI product(s) identified in such TI Resource. NO OTHER LICENSE, EXPRESS OR IMPLIED, BY ESTOPPEL OR OTHERWISE TO ANY OTHER TI INTELLECTUAL PROPERTY RIGHT, AND NO LICENSE TO ANY TECHNOLOGY OR INTELLECTUAL PROPERTY RIGHT OF TI OR ANY THIRD PARTY IS GRANTED HEREIN, including but not limited to any patent right, copyright, mask work right, or other intellectual property right relating to any combination, machine, or process in which TI products or services are used. Information regarding or referencing third-party products or services does not constitute a license to use such products or services, or a warranty or endorsement thereof. Use of TI Resources may require a license from a third party under the patents or other intellectual property of the third party, or a license from TI under the patents or other intellectual property of TI.

TI RESOURCES ARE PROVIDED "AS IS" AND WITH ALL FAULTS. TI DISCLAIMS ALL OTHER WARRANTIES OR REPRESENTATIONS, EXPRESS OR IMPLIED, REGARDING RESOURCES OR USE THEREOF, INCLUDING BUT NOT LIMITED TO ACCURACY OR COMPLETENESS, TITLE, ANY EPIDEMIC FAILURE WARRANTY AND ANY IMPLIED WARRANTIES OF MERCHANTABILITY, FITNESS FOR A PARTICULAR PURPOSE, AND NON-INFRINGEMENT OF ANY THIRD PARTY INTELLECTUAL PROPERTY RIGHTS. TI SHALL NOT BE LIABLE FOR AND SHALL NOT DEFEND OR INDEMNIFY DESIGNER AGAINST ANY CLAIM, INCLUDING BUT NOT LIMITED TO ANY INFRINGEMENT CLAIM THAT RELATES TO OR IS BASED ON ANY COMBINATION OF PRODUCTS EVEN IF DESCRIBED IN TI RESOURCES OR OTHERWISE. IN NO EVENT SHALL TI BE LIABLE FOR ANY ACTUAL, DIRECT, SPECIAL, COLLATERAL, INDIRECT, PUNITIVE, INCIDENTAL, CONSEQUENTIAL OR EXEMPLARY DAMAGES IN CONNECTION WITH OR ARISING OUT OF TI RESOURCES OR USE THEREOF, AND REGARDLESS OF WHETHER TI HAS BEEN ADVISED OF THE POSSIBILITY OF SUCH DAMAGES.

Unless TI has explicitly designated an individual product as meeting the requirements of a particular industry standard (e.g., ISO/TS 16949 and ISO 26262), TI is not responsible for any failure to meet such industry standard requirements.

Where TI specifically promotes products as facilitating functional safety or as compliant with industry functional safety standards, such products are intended to help enable customers to design and create their own applications that meet applicable functional safety standards and requirements. Using products in an application does not by itself establish any safety features in the application. Designers must ensure compliance with safety-related requirements and standards applicable to their applications. Designer may not use any TI products in life-critical medical equipment unless authorized officers of the parties have executed a special contract specifically governing such use. Life-critical medical equipment is medical equipment where failure of such equipment would cause serious bodily injury or death (e.g., life support, pacemakers, defibrillators, heart pumps, neurostimulators, and implantables). Such equipment includes, without limitation, all medical devices identified by the U.S. Food and Drug Administration as Class III devices and equivalent classifications outside the U.S.

TI may expressly designate certain products as completing a particular qualification (e.g., Q100, Military Grade, or Enhanced Product). Designers agree that it has the necessary expertise to select the product with the appropriate qualification designation for their applications and that proper product selection is at Designers' own risk. Designers are solely responsible for compliance with all legal and regulatory requirements in connection with such selection.

Designer will fully indemnify TI and its representatives against any damages, costs, losses, and/or liabilities arising out of Designer's non-compliance with the terms and provisions of this Notice.