

GaAs SPDT Switch DC - 3.0 GHz

Rev. V1

Features

- Low Insertion Loss: < 0.3 dB @ 900 MHz
- Low Power Consumption: < 15 μ A @ -2.3 Volts
- Positive or Negative 2.3 to 8 Volt Control
- Lead-Free SC-70 (SOT-363) Package
- 100% Matte Tin Plating over Copper
- Halogen-Free “Green” Mold Compound
- 260°C Reflow Compatible
- RoHS* Compliant version of SW-456

Description

M/A-COM’s MASW-007221 is a GaAs monolithic switch in a lead-free SC-70 (SOT-363) surface mount plastic package. The MASW-007221 is ideally suited for applications where very low power consumption, low insertion loss, very small size, and low cost are required. Typical applications are in dual band systems where switching between small signal components is required, i.e. filter banks, single-band LNA’s, converters, etc.

The MASW-007221 can be used in applications up to 0.25 watts in systems such as cellular, PCS, DCS1800, GSM, CDMA, W-CDMA and other analog / digital wireless communication systems.

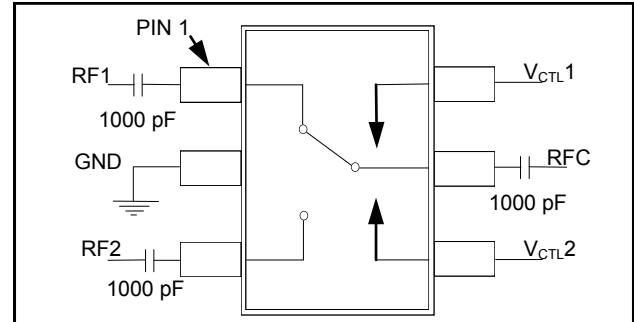
The MASW-007221 is fabricated using a mature 0.5 micron PHEMT process. The process features full passivation for performance and reliability.

Ordering Information ¹

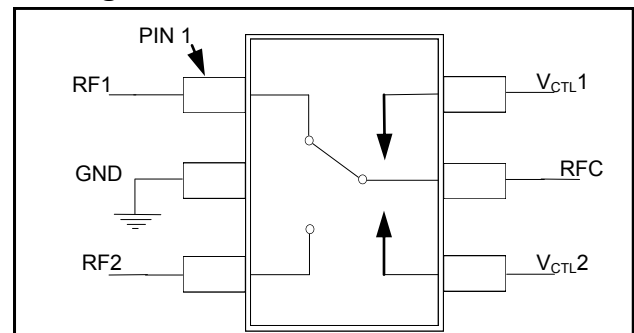
| Part Number | Package |
|--------------------|-----------------|
| MASW-007221-000000 | Bulk Packaging |
| MASW-007221-TR3000 | 3000 piece reel |

1. Reference Application Note M513 for reel size information.

Functional Schematic: Positive Control Voltage



Functional Schematic: Negative Control Voltage



Pin Configuration

| PIN | Function | Description |
|-----|----------|-------------------|
| 1 | RF1 | RF In/Out |
| 2 | GND | RF Ground |
| 3 | RF2 | RF In/Out |
| 4 | V_CTL2 | Voltage Control 2 |
| 5 | RFC | RF Common |
| 6 | V_CTL1 | Voltage Control 1 |

Absolute Maximum Ratings ^{2,3}

| Parameter | Absolute Maximum |
|---|--------------------|
| Input Power (0.5 - 3.0 GHz) 3 V Control 5 V Control | +30 dBm +33 dBm |
| Operating Voltage | +8.5 volts |
| Operating Temperature | -40°C to +85°C |
| Storage Temperature | -65°C to +150°C |

2. Exceeding any one or combination of these limits may cause permanent damage to this device.

3. M/A-COM does not recommend sustained operation near these survivability limits.

* Restrictions on Hazardous Substances, European Union Directive 2002/95/EC.

GaAs SPDT Switch DC - 3.0 GHz

Rev. V1

Electrical Specifications: $T_A = 25^\circ\text{C}$, $V_{CTL} = 0, -2.3$ volts (unless otherwise specified), $Z_0 = 50$

| Parameter | Test Conditions | Units | Min. | Typ. | Max. |
|-----------------------------|--|---------------|------|-------|-------|
| Insertion Loss ⁵ | DC - 1 GHz | dB | — | 0.35 | 0.5 |
| | 1 - 2 GHz | dB | — | 0.45 | 0.6 |
| | 2 - 3 GHz | dB | — | 0.56 | 0.8 |
| Isolation | DC - 1 GHz | dB | 20 | 22 | — |
| | 1 - 2 GHz | dB | 15 | 17 | — |
| | 2 - 3 GHz | dB | 10 | 12 | — |
| V_{SWR} | DC - 3 GHz | Ratio | — | 1.2:1 | 1.4:1 |
| P_{1dB} (2.3V supply) | 500 MHz - 3 GHz | dBm | — | 21 | — |
| P_{1dB} (3V supply) | 500 MHz - 3 GHz | dBm | — | 27 | — |
| Input IP_2 | 2-Tone 900 MHz, 5 MHz spacing (3.0 V) | dBm | — | 81 | — |
| Input IP_3 | 2-Tone 900 MHz, 5 MHz spacing (3.0 V) | dBm | — | 52 | — |
| Trise, Tfall | 10% to 90% RF, 90% to 10% RF | ns | — | 25 | — |
| Ton, Toff | 50% Control to 90% RF, Control to 10% RF | ns | — | 25 | — |
| Transients | In-Band | mV | — | 25 | — |
| Control Current | $V_{CTL} = -2.3$ V | μA | — | 4 | 15 |

4. External DC blocking capacitors are required on all RF ports when using positive voltage control.

5. Insertion loss can be optimized by varying the DC blocking capacitor value, e.g. 1000 pF for 100 MHz - 1 GHz, 39 pF for 0.5 GHz - 3 GHz.

Truth Table

| Mode (Control) | V1 | V2 | RFC - RF1 | RFC - RF2 |
|-----------------------|----------------|----------------|-----------|-----------|
| Positive ⁶ | 0 ± 0.2 V | +2.3 to +8 V | Off | On |
| | +2.3 to +8 V | 0 ± 0.2 V | On | Off |
| Negative ⁷ | 0 ± 0.2 V | -2.3 V to -8 V | On | Off |
| | -2.3 V to -8 V | 0 ± 0.2 V | Off | On |

6. External DC blocking capacitors are required on all RF ports. 1000 pF capacitors used for positive control voltage. For higher frequency operation, smaller value DC blocking capacitors can be substituted.

7. If negative control is used, DC blocking capacitors are not required on RF ports.

Qualification

Qualified to M/A-COM specification REL-201, Process Flow -2.

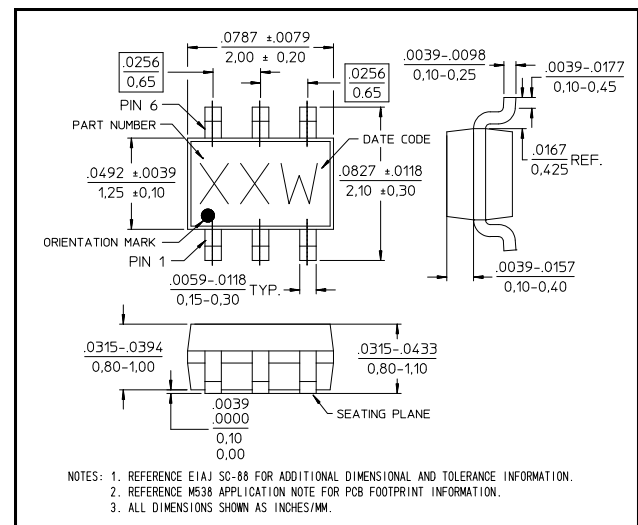
Handling Procedures

Please observe the following precautions to avoid damage:

Static Sensitivity

Gallium Arsenide Integrated Circuits are sensitive to electrostatic discharge (ESD) and can be damaged by static electricity. Proper ESD control techniques should be used when handling these devices.

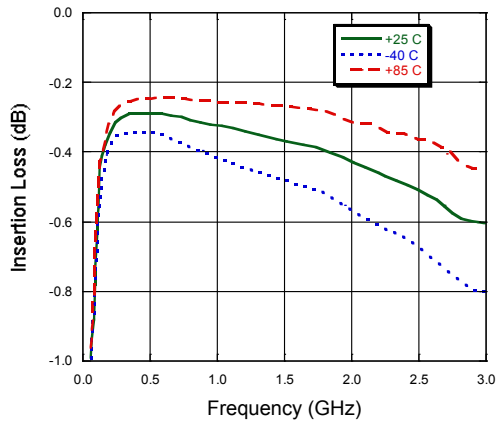
Lead-Free SC-70 (SOT-363) [†]



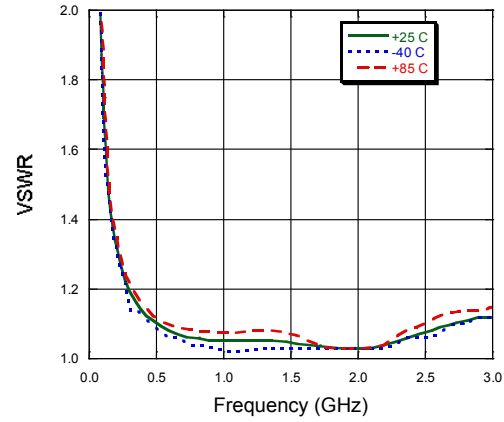
[†] Reference Application Note M538 for lead-free solder reflow recommendations.

Typical Performance Curves

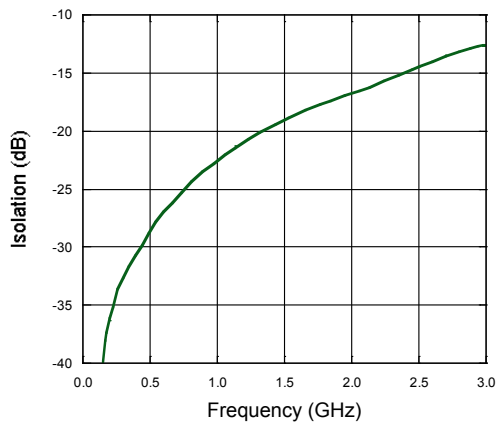
Insertion Loss vs. Frequency Over Temperature



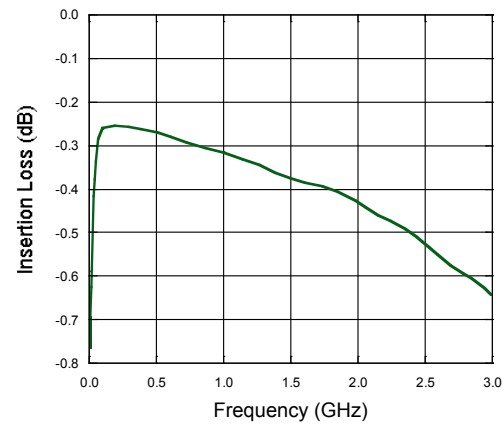
VSWR Over Temperature



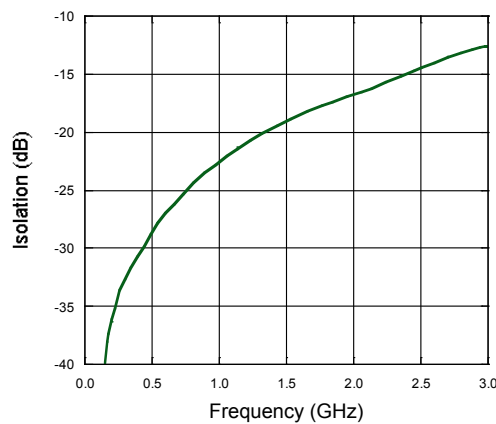
Isolation vs. Frequency Over Temperature



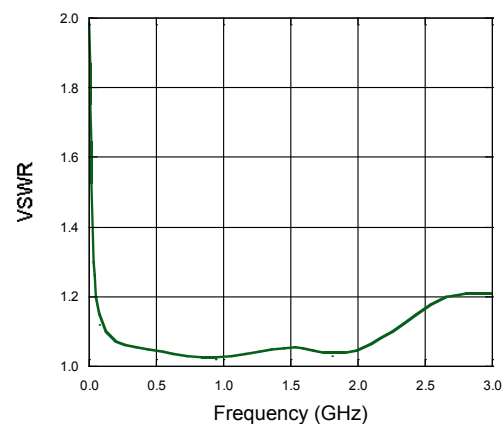
**Insertion Loss vs. Frequency
(+2.3 V Control, 1000 pF Capacitor on RF Ports)**



**Isolation vs. Frequency
(+2.3 V Control, 1000 pF Capacitor on RF Ports)**



**VSWR vs. Frequency
(+2.3 V Control, 1000 pF Capacitor on RF Ports)**



M/A-COM Technology Solutions Inc. All rights reserved.

Information in this document is provided in connection with M/A-COM Technology Solutions Inc ("MACOM") products. These materials are provided by MACOM as a service to its customers and may be used for informational purposes only. Except as provided in MACOM's Terms and Conditions of Sale for such products or in any separate agreement related to this document, MACOM assumes no liability whatsoever. MACOM assumes no responsibility for errors or omissions in these materials. MACOM may make changes to specifications and product descriptions at any time, without notice. MACOM makes no commitment to update the information and shall have no responsibility whatsoever for conflicts or incompatibilities arising from future changes to its specifications and product descriptions. No license, express or implied, by estoppel or otherwise, to any intellectual property rights is granted by this document.

THESE MATERIALS ARE PROVIDED "AS IS" WITHOUT WARRANTY OF ANY KIND, EITHER EXPRESS OR IMPLIED, RELATING TO SALE AND/OR USE OF MACOM PRODUCTS INCLUDING LIABILITY OR WARRANTIES RELATING TO FITNESS FOR A PARTICULAR PURPOSE, CONSEQUENTIAL OR INCIDENTAL DAMAGES, MERCHANTABILITY, OR INFRINGEMENT OF ANY PATENT, COPYRIGHT OR OTHER INTELLECTUAL PROPERTY RIGHT. MACOM FURTHER DOES NOT WARRANT THE ACCURACY OR COMPLETENESS OF THE INFORMATION, TEXT, GRAPHICS OR OTHER ITEMS CONTAINED WITHIN THESE MATERIALS. MACOM SHALL NOT BE LIABLE FOR ANY SPECIAL, INDIRECT, INCIDENTAL, OR CONSEQUENTIAL DAMAGES, INCLUDING WITHOUT LIMITATION, LOST REVENUES OR LOST PROFITS, WHICH MAY RESULT FROM THE USE OF THESE MATERIALS.

MACOM products are not intended for use in medical, lifesaving or life sustaining applications. MACOM customers using or selling MACOM products for use in such applications do so at their own risk and agree to fully indemnify MACOM for any damages resulting from such improper use or sale.

4

M/A-COM Technology Solutions Inc. (MACOM) and its affiliates reserve the right to make changes to the product(s) or information contained herein without notice.
Visit www.macom.com for additional data sheets and product information.