

SM320VC5507-EP

Fixed-Point Digital Signal Processor

Data Manual



PRODUCTION DATA information is current as of publication date. Products conform to specifications per the terms of the Texas Instruments standard warranty. Production processing does not necessarily include testing of all parameters.

Literature Number: SPRS613
September 2009

Contents

1	Features	9
1.1	SUPPORTS DEFENSE, AEROSPACE, AND MEDICAL APPLICATIONS	9
2	Introduction	10
2.1	Description	10
2.2	Pin Assignments	11
2.3	Signal Descriptions	13
3	Functional Overview	23
3.1	Functional Block Diagram	23
3.2	Memory	24
3.2.1	On-Chip Dual-Access RAM (DARAM)	24
3.2.2	On-Chip Single-Access RAM (SARAM)	24
3.2.3	On-Chip Read-Only Memory (ROM)	24
3.2.4	Memory Maps	25
3.2.4.1	PGE Package Memory Map	25
3.2.5	Boot Configuration	26
3.3	Peripherals	26
3.4	Direct Memory Access (DMA) Controller	27
3.4.1	DMA Channel Control Register (DMA_CCR)	27
3.5	I ² C Interface	28
3.6	Configurable External Buses	28
3.6.1	External Bus Selection Register (EBSR)	29
3.6.2	Parallel Port	30
3.6.3	Parallel Port Signal Routing	31
3.7	General-Purpose Input/Output (GPIO) Ports	33
3.7.1	Dedicated General-Purpose I/O	33
3.7.2	Address Bus General-Purpose I/O	34
3.7.3	EHPI General-Purpose I/O	36
3.8	System Register	37
3.9	USB Clock Generation	38
3.10	Memory-Mapped Registers	40
3.11	Peripheral Register Description	42
3.12	Interrupts	52
3.12.1	IFR and IER Registers	53
3.12.2	Interrupt Timing	55
3.12.3	Waking Up From IDLE Condition	55
3.12.3.1	Waking Up From IDLE With Oscillator Disabled	55
3.12.4	Idling Clock Domain When External Parallel Bus Operating in EHPI Mode	55
4	Support	56
4.1	Notices Concerning JTAG (IEEE 1149.1) Boundary Scan Test Capability	56
4.1.1	Initialization Requirements for Boundary Scan Test	56
4.1.2	Boundary Scan Description Language (BSDL) Model	56
4.2	Documentation Support	56
4.3	TMS320VC5507 Device Nomenclature	57
5	Electrical Specifications	58
5.1	ABSOLUTE MAXIMUM RATINGS	58
5.2	RECOMMENDED OPERATING CONDITIONS	59

5.2.1	Recommended Operating Conditions for $CV_{DD} = 1.2$ V (108 MHz)	59
5.2.2	Recommended Operating Conditions for $CV_{DD} = 1.35$ V (144 MHz)	60
5.2.3	Recommended Operating Conditions for $CV_{DD} = 1.6$ V (200 MHz)	61
5.3	ELECTRICAL CHARACTERISTICS	62
5.3.1	Electrical Characteristics Over Recommended Operating Case Temperature Range for $CV_{DD} = 1.2$ V (108 MHz) (Unless Otherwise Noted)	62
5.3.2	Electrical Characteristics Over Recommended Operating Case Temperature Range for $CV_{DD} = 1.35$ V (144 MHz) (Unless Otherwise Noted)	63
5.3.3	Electrical Characteristics Over Recommended Operating Case Temperature Range for $CV_{DD} = 1.6$ V (200 MHz) (Unless Otherwise Noted)	64
5.4	ESD Performance	65
5.5	Timing Parameter Symbology	65
5.6	Clock Options	66
5.6.1	Internal System Oscillator With External Crystal	66
5.6.2	Layout Considerations	66
5.6.3	Clock Generation in Bypass Mode (DPLL Disabled)	67
5.6.4	Clock Generation in Lock Mode (DPLL Synthesis Enabled)	68
5.6.5	Real-Time Clock Oscillator With External Crystal	69
5.7	Memory Interface Timings	70
5.7.1	Asynchronous Memory Timings	70
5.7.2	Synchronous DRAM (SDRAM) Timings	72
5.8	Reset Timings	79
5.8.1	Power-Up Reset (On-Chip Oscillator Active)	79
5.8.2	Power-Up Reset (On-Chip Oscillator Inactive)	80
5.8.3	Warm Reset	80
5.9	External Interrupt Timings	81
5.10	Wake-Up From IDLE	82
5.11	XF Timings	82
5.12	General-Purpose Input/Output (GPIOx) Timings	83
5.13	TIN/TOUT Timings (Timer0 Only)	84
5.14	Multichannel Buffered Serial Port (McBSP) Timings	85
5.14.1	McBSP0 Timings	85
5.14.2	McBSP1 and McBSP2 Timings	86
5.14.3	McBSP as SPI Master or Slave Timings	89
5.14.4	McBSP General-Purpose I/O Timings	94
5.15	Enhanced Host-Port Interface (EHPI) Timings	95
5.16	I ² C Timings	101
5.17	Universal Serial Bus (USB) Timings	103
5.18	ADC Timings	104
6	Mechanical Data	105
6.1	Package Thermal Resistance Characteristics	105
6.2	Packaging Information	105

List of Figures

2-1	144-Pin PGE Low-Profile Quad Flatpack (Top View)	11
3-1	Block Diagram of the SM320VC5507	24
3-2	SM320VC5507 Memory Map	25
3-3	DMA_CCR Bit Locations	27
3-4	External Bus Selection Register.....	29
3-5	Parallel Port Signal Routing.....	33
3-6	Parallel Port (EMIF) Signal Interface	33
3-7	I/O Direction Register (IODIR) Bit Layout	34
3-8	I/O Data Register (IOWDATA) Bit Layout	34
3-9	Address/GPIO Enable Register (AGPIOEN) Bit Layout.....	35
3-10	Address/GPIO Direction Register (AGPIODIR) Bit Layout	35
3-11	Address/GPIO Data Register (AGPIOWDATA) Bit Layout.....	35
3-12	EHPI GPIO Enable Register (EHPIGPIOEN) Bit Layout.....	36
3-13	EHPI GPIO Direction Register (EHPIGPIODIR) Bit Layout	36
3-14	EHPI GPIO Data Register (EHPIGPIOOWDATA) Bit Layout.....	37
3-15	System Register Bit Locations.....	37
3-16	USB Clock Generation.....	38
3-17	USB PLL Selection and Status Register Bit Layout	38
3-18	USB APLL Clock Mode Register Bit Layout	39
3-19	IFR0 and IER0 Bit Locations.....	53
3-20	IFR1 and IER1 Bit Locations.....	54
4-1	Device Nomenclature for the TMS320VC5507	57
5-1	3.3-V Test Load Circuit	65
5-2	Internal System Oscillator With External Crystal	66
5-3	Bypass Mode Clock Timings.....	68
5-4	External Multiply-by-N Clock Timings.....	69
5-5	Real-Time Clock Oscillator With External Crystal.....	70
5-6	Asynchronous Memory Read Timings.....	72
5-7	Asynchronous Memory Write Timings.....	72
5-8	Three SDRAM Read Commands	74
5-9	Three SDRAM WRT Commands.....	75
5-10	SDRAM ACTV Command.....	76
5-11	SDRAM DCAB Command	77
5-12	SDRAM REFR Command.....	78
5-13	SDRAM MRS Command	79
5-14	SDRAM Self-Refresh Command	79
5-15	Power-Up Reset (On-Chip Oscillator Active) Timings	80
5-16	Power-Up Reset (On-Chip Oscillator Inactive) Timings	80
5-17	Reset Timings	81
5-18	External Interrupt Timings.....	82
5-19	Wake-Up From IDLE Timings	82
5-20	XF Timings	82
5-21	General-Purpose Input/Output (IOx) Signal Timings	83
5-22	TIN/TOUT Timings When Configured as Inputs	84
5-23	TIN/TOUT Timings When Configured as Outputs	84
5-24	McBSP Receive Timings	89

5-25	McBSP Transmit Timings	89
5-26	McBSP Timings as SPI Master or Slave: CLKSTP = 10b, CLKXP = 0	90
5-27	McBSP Timings as SPI Master or Slave: CLKSTP = 11b, CLKXP = 0	92
5-28	McBSP Timings as SPI Master or Slave: CLKSTP = 10b, CLKXP = 1	93
5-29	McBSP Timings as SPI Master or Slave: CLKSTP = 11b, CLKXP = 1	94
5-30	McBSP General-Purpose I/O Timings	94
5-31	HINT Timings	96
5-32	EHPI Nonmultiplexed Read/Write Timings.....	97
5-33	EHPI Multiplexed Memory (HPID) Read/Write Timings Without Autoincrement.....	98
5-34	EHPI Multiplexed Memory (HPID) Read Timings With Autoincrement.....	99
5-35	EHPI Multiplexed Memory (HPID) Write Timings With Autoincrement	100
5-36	EHPI Multiplexed Register Read/Write Timings	100
5-37	I ² C Receive Timings	102
5-38	I ² C Transmit Timings	103
5-39	USB Timings	104
5-40	Full-Speed Loads	104

List of Tables

2-1	Pin Assignments for the PGE Package	12
2-2	Signal Descriptions.....	13
3-1	DARAM Blocks	24
3-2	SARAM Blocks	24
3-3	Boot Configuration Summary	26
3-4	Synchronization Control Function	28
3-5	External Bus Selection Register Bit Field Description.....	29
3-6	SM320VC5507 Parallel Port Signal Routing.....	31
3-7	I/O Direction Register (IODIR) Bit Functions	34
3-8	I/O Data Register (IOWDATA) Bit Functions.....	34
3-9	Address/GPIO Enable Register (AGPIOEN) Bit Functions	35
3-10	Address/GPIO Direction Register (AGPIODIR) Bit Functions	35
3-11	Address/GPIO Data Register (AGPIODATA) Bit Functions	35
3-12	EHPI GPIO Enable Register (EHPIGPIOEN) Bit Functions	36
3-13	EHPI GPIO Direction Register (EHPIGPIODIR) Bit Functions	36
3-14	EHPI GPIO Data Register (EHPIGPIODATA) Bit Functions	37
3-15	System Register Bit Fields	37
3-16	USB PLL Selection and Status Register Bit Functions.....	38
3-17	USB APLL Clock Mode Register Bit Functions	39
3-18	M and D Values Based on MODE, DIV, and K.....	39
3-19	CPU Memory-Mapped Registers.....	40
3-20	Idle Control, Status, and System Registers.....	42
3-21	External Memory Interface Registers	42
3-22	DMA Configuration Registers	43
3-23	Real-Time Clock Registers.....	45
3-24	Clock Generator	46
3-25	Timers.....	46
3-26	Multichannel Serial Port #0	46
3-27	Multichannel Serial Port #1	47
3-28	Multichannel Serial Port #2	48
3-29	GPIO	49
3-30	Device Revision ID.....	49
3-31	I ² C Module Registers	49
3-32	Watchdog Timer Registers.....	50
3-33	USB Module Registers	50
3-34	Analog-to-Digital Controller (ADC) Registers	52
3-35	External Bus Selection Register.....	52
3-36	Interrupt Table	52
3-37	IFR0 and IER0 Register Bit Fields	53
3-38	IFR1 and IER1 Register Bit Fields	54
5-1	Recommended Crystal Parameters.....	66
5-2	CLKIN Timing Requirements	67
5-3	CLKOUT Switching Characteristics.....	67
5-4	CLKIN Timing Requirements	68
5-5	Multiply-By-N Clock Option Switching Characteristics	69
5-6	Recommended RTC Crystal Parameters	70

5-7	Asynchronous Memory Cycle Timing Requirements	70
5-8	Asynchronous Memory Cycle Switching Characteristics.....	70
5-9	Synchronous DRAM Cycle Timing Requirements	72
5-10	Synchronous DRAM Cycle Switching Characteristics.....	72
5-11	Power-Up Reset (On-Chip Oscillator Active) Timing Requirements.....	79
5-12	Power-Up Reset (On-Chip Oscillator Inactive) Timing Requirements.....	80
5-13	Power-Up Reset (On-Chip Oscillator Inactive) Switching Characteristics	80
5-14	Reset Timing Requirements	80
5-15	Reset Switching Characteristics	81
5-16	External Interrupt Timing Requirements	81
5-17	Wake-Up From IDLE Switching Characteristics	82
5-18	XF Switching Characteristics	82
5-19	GPIO Pins Configured as Inputs Timing Requirements.....	83
5-20	GPIO Pins Configured as Outputs Switching Characteristics	83
5-21	TIN/TOUT Pins Configured as Inputs Timing Requirements	84
5-22	TIN/TOUT Pins Configured as Outputs Switching Characteristics	84
5-23	McBSP0 Timing Requirements	85
5-24	McBSP0 Switching Characteristics	85
5-25	McBSP1 and McBSP2 Timing Requirements	86
5-26	McBSP0 Switching Characteristics	87
5-27	McBSP as SPI Master or Slave Timing Requirements (CLKSTP = 10b, CLKXP = 0)	89
5-28	McBSP as SPI Master or Slave Switching Characteristics (CLKSTP = 10b, CLKXP = 0)	90
5-29	McBSP as SPI Master or Slave Timing Requirements (CLKSTP = 11b, CLKXP = 0)	91
5-30	McBSP as SPI Master or Slave Switching Characteristics (CLKSTP = 11b, CLKXP = 0)	91
5-31	McBSP as SPI Master or Slave Timing Requirements (CLKSTP = 10b, CLKXP = 1)	92
5-32	McBSP as SPI Master or Slave Switching Characteristics (CLKSTP = 10b, CLKXP = 1)	92
5-33	McBSP as SPI Master or Slave Timing Requirements (CLKSTP = 11b, CLKXP = 1)	93
5-34	McBSP as SPI Master or Slave Switching Characteristics (CLKSTP = 11b, CLKXP = 1)	93
5-35	McBSP General-Purpose I/O Timing Requirements.....	94
5-36	McBSP General-Purpose I/O Switching Characteristics	94
5-37	EHPI Timing Requirements	95
5-38	EHPI Switching Characteristics	95
5-39	I ² C Signals (SDA and SCL) Timing Requirements.....	101
5-40	I ² C Signals (SDA and SCL) Timing Requirements.....	102
5-41	Universal Serial Bus (USB) Characteristics	103
5-42	ADC Characteristics	104
6-1	Thermal Resistance Characteristics (Ambient)	105
6-2	Thermal Resistance Characteristics (Case).....	105

Fixed-Point Digital Signal Processor

Check for Samples: [SM320VC5507-EP](#)

1 Features

- **High-Performance, Low-Power, Fixed-Point SMS320C5507 Digital Signal Processor**
 - 9.26-, 6.95-, 5-ns Instruction Cycle Time
 - 108-, 144-, 200-MHz Clock Rate
 - One/Two Instruction(s) Executed per Cycle
 - Dual Multipliers (Up to 400 Million Multiply-Accumulates per Second (MMACS))
 - Two Arithmetic/Logic Units (ALUs)
 - Three Internal Data/Operand Read Buses and Two Internal Data/Operand Write Buses
- **64K x 16-Bit On-Chip RAM, Composed of:**
 - 64K Bytes of Dual-Access RAM (DARAM) 8 Blocks of 4K x 16-Bit
 - 64K Bytes of Single-Access RAM (SARAM) 8 Blocks of 4K x 16-Bit
- **64K Bytes of One-Wait-State On-Chip ROM (32K x 16-Bit)**
- **8M x 16-Bit Maximum Addressable External Memory Space (Synchronous DRAM)**
- **16-Bit External Parallel Bus Memory Supporting Either:**
 - **External Memory Interface (EMIF) With GPIO Capabilities and Glueless Interface to:**
 - Asynchronous Static RAM (SRAM)
 - Asynchronous EPROM
 - Synchronous DRAM (SDRAM)
 - **16-Bit Parallel Enhanced Host-Port Interface (EHPI) With GPIO Capabilities**
- **Programmable Low-Power Control of Six Device Functional Domains**
- **On-Chip Scan-Based Emulation Logic**
- **On-Chip Peripherals**
 - Two 20-Bit Timers
 - Watchdog Timer
 - Six-Channel Direct Memory Access (DMA) Controller
 - Three Multichannel Buffered Serial Ports (McBSPs)
 - Programmable Phase-Locked Loop Clock Generator
 - Seven (LQFP) or Eight (BGA) General-Purpose I/O (GPIO) Pins and a General-Purpose Output Pin (XF)
 - USB Full-Speed (12 Mbps) Slave Port Supporting Bulk, Interrupt and Isochronous Transfers
 - Inter-Integrated Circuit (I²C) Multi-Master and Slave Interface
 - Real-Time Clock (RTC) With Crystal Input, Separate Clock Domain, Separate Power Supply
 - 4-Channel (BGA) or 2-Channel (LQFP) 10-Bit Successive Approximation A/D
- **IEEE Std 1149.1⁽¹⁾ (JTAG) Boundary Scan Logic**
- **Packages:**
 - 144-Terminal Low-Profile Quad Flatpack (LQFP) (PGE Suffix)
- **1.2-V Core (108 MHz), 2.7-V – 3.6-V I/Os**
- **1.35-V Core (144 MHz), 2.7-V – 3.6-V I/Os**
- **1.6-V Core (200 MHz), 2.7-V – 3.6-V I/Os**

(1) IEEE Standard 1149.1-1990 Standard-Test-Access Port and Boundary Scan Architecture.

1.1 SUPPORTS DEFENSE, AEROSPACE, AND MEDICAL APPLICATIONS

- **Controlled Baseline**
- **One Assembly/Test Site**
- **One Fabrication Site**
- **Available in Military (–55°C/125°C) Temperature Range⁽²⁾**
- **Extended Product Life Cycle**
- **Extended Product-Change Notification**
- **Product Traceability**

(2) Additional temperature ranges are available - contact factory

2 Introduction

This section describes the main features of the SM320VC5507, lists the pin assignments, and describes the function of each pin. This data manual also provides a detailed description section, electrical specifications, parameter measurement information, and mechanical data about the available packaging.

NOTE

This data manual is designed to be used in conjunction with the TMS320C55x DSP Functional Overview (literature number [SPRU312](#)), the TMS320C55x DSP CPU Reference Guide (literature number [SPRU371](#)), and the TMS320C55x DSP Peripherals Overview Reference Guide (literature number [SPRU317](#)).

2.1 Description

The SM320VC5507 fixed-point digital signal processor (DSP) is based on the SMS320C55x DSP generation CPU processor core. The C55x™ DSP architecture achieves high performance and low power through increased parallelism and total focus on reduction in power dissipation. The CPU supports an internal bus structure that is composed of one program bus, three data read buses, two data write buses, and additional buses dedicated to peripheral and DMA activity. These buses provide the ability to perform up to three data reads and two data writes in a single cycle. In parallel, the DMA controller can perform up to two data transfers per cycle independent of the CPU activity.

The C55x CPU provides two multiply-accumulate (MAC) units, each capable of 17-bit x 17-bit multiplication in a single cycle. A central 40-bit arithmetic/logic unit (ALU) is supported by an additional 16-bit ALU. Use of the ALUs is under instruction set control, providing the ability to optimize parallel activity and power consumption. These resources are managed in the Address Unit (AU) and Data Unit (DU) of the C55x CPU.

The C55x DSP generation supports a variable byte width instruction set for improved code density. The Instruction Unit (IU) performs 32-bit program fetches from internal or external memory and queues instructions for the Program Unit (PU). The Program Unit decodes the instructions, directs tasks to AU and DU resources, and manages the fully protected pipeline. Predictive branching capability avoids pipeline flushes on execution of conditional instructions.

The 128K bytes of on-chip memory on 5507 is sufficient for many hand-held appliances, portable GPS systems, wireless speaker phones, portable PDAs, and gaming devices. Many of these appliances typically require 64K bytes or more on-chip memory but less than 128K bytes of memory, and need to operate in standby mode for more than 60% to 70% of time. For the applications which require more than 128K bytes of on-chip memory but less than 256K bytes of on-chip memory, Texas Instruments (TI) offers the TMS320VC5509A device, which is based on the TMS320C55x DSP core.

The general-purpose input and output functions and the 10-bit A/D provide sufficient pins for status, interrupts, and bit I/O for LCDs, keyboards, and media interfaces. The parallel interface operates in two modes, either as a slave to a microcontroller using the HPI port or as a parallel media interface using the asynchronous EMIF. Serial media is supported through three McBSPs.

The 5507 peripheral set includes an external memory interface (EMIF) that provides glueless access to asynchronous memories like EPROM and SRAM, as well as to high-speed, high-density memories such as synchronous DRAM. Additional peripherals include Universal Serial Bus (USB), real-time clock, watchdog timer, and I²C multi-master and slave interface. Three full-duplex multichannel buffered serial ports (McBSPs) provide glueless interface to a variety of industry-standard serial devices, and multichannel communication with up to 128 separately enabled channels. The enhanced host-port interface (HPI) is a 16-bit parallel interface used to provide host processor access to 32K bytes of internal



Please be aware that an important notice concerning availability, standard warranty, and use in critical applications of Texas Instruments semiconductor products and disclaimers thereto appears at the end of this data sheet.

memory on the 5507. The HPI can be configured in either multiplexed or non-multiplexed mode to provide glueless interface to a wide variety of host processors. The DMA controller provides data movement for six independent channel contexts without CPU intervention, providing DMA throughput of up to two 16-bit words per cycle. Two general-purpose timers, up to eight dedicated general-purpose I/O (GPIO) pins, and digital phase-locked loop (DPLL) clock generation are also included.

The 5507 is supported by the industry's award-winning eXpressDSP™, Code Composer Studio™ Integrated Development Environment (IDE), DSP/BIOS™, Texas Instruments' algorithm standard, and the industry's largest third-party network. The Code Composer Studio IDE features code generation tools including a C Compiler and Visual Linker, simulator, RTDX™, XDS510™ emulation device drivers, and evaluation modules. The 5507 is also supported by the C55x DSP Library which features more than 50 foundational software kernels (FIR filters, IIR filters, FFTs, and various math functions) as well as chip and board support libraries.

2.2 Pin Assignments

The SM320VC5507PGE 144-pin low-profile quad flatpack (LQFP) pin assignments are shown in [Figure 2-1](#) and is used in conjunction with [Table 2-1](#) to locate signal names and pin numbers.

DV_{DD} is the power supply for the I/O pins while CV_{DD} is the power supply for the core. V_{SS} is the ground for both the I/O pins and the core. RCV_{DD} and RDV_{DD} are RTC module core and I/O supply, respectively. USBV_{DD} is the USB module I/O (DP, DN, and PU) supply. ADV_{DD} is the power supply for the digital portion of the ADC. AV_{DD} is the power supply for the analog part of the ADC. ADV_{SS} is the ground pin for the digital portion of the ADC. AV_{SS} is the ground pin for the analog part of the ADC. USBPLL_{V_{DD}} and USBPLL_{V_{SS}} are the dedicated supply and ground pins for the USB PLL, respectively.

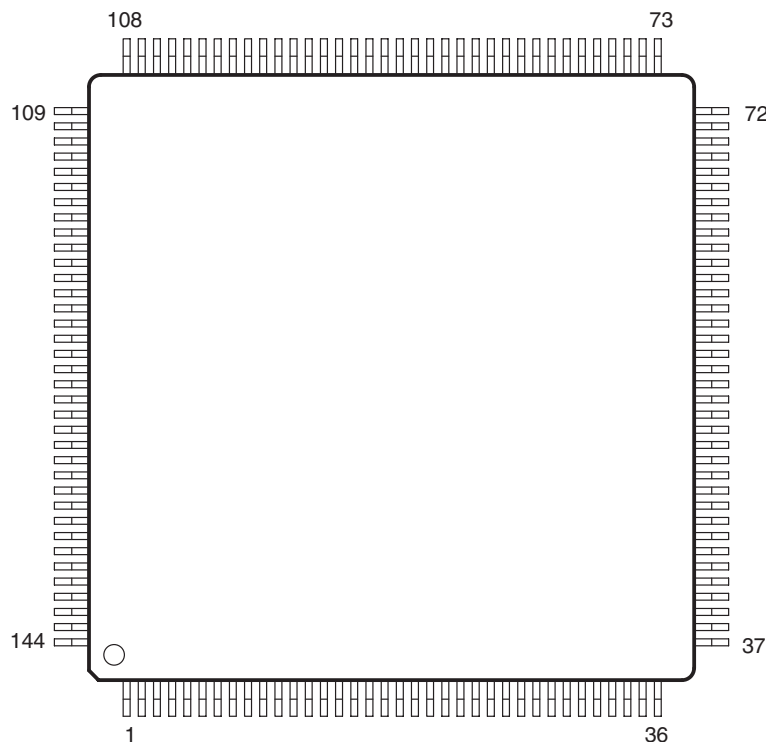


Figure 2-1. 144-Pin PGE Low-Profile Quad Flatpack (Top View)

Table 2-1. Pin Assignments for the PGE Package

PIN NO.	SIGNAL NAME	PIN NO.	SIGNAL NAME	PIN NO.	SIGNAL NAME	PIN NO.	SIGNAL NAME
1	V _{SS}	37	V _{SS}	73	V _{SS}	109	RDV _{DD}
2	PU	38	A13	74	D12	110	RCV _{DD}
3	DP	39	A12	75	D13	111	RTCINX2
4	DN	40	A11	76	D14	112	RTCINX1
5	USBV _{DD}	41	CV _{DD}	77	D15	113	V _{SS}
6	GPIO7	42	A10	78	CV _{DD}	114	V _{SS}
7	V _{SS}	43	A9	79	EMU0	115	V _{SS}
8	DV _{DD}	44	A8	80	EMU1/ $\overline{\text{OFF}}$	116	DX2
9	GPIO2	45	V _{SS}	81	TDO	117	FSX2
10	GPIO1	46	A7	82	TDI	118	CV _{DD}
11	V _{SS}	47	A6	83	CV _{DD}	119	CLKX2
12	GPIO0	48	A5	84	$\overline{\text{TRST}}$	120	DR2
13	X2/CLKIN	49	DV _{DD}	85	TCK	121	FSR2
14	X1	50	A4	86	TMS	122	V _{SS}
15	CLKOUT	51	A3	87	CV _{DD}	123	CLKR2
16	C0	52	A2	88	DV _{DD}	124	DX1
17	C1	53	CV _{DD}	89	SDA	125	FSX1
18	CV _{DD}	54	A1	90	SCL	126	DV _{DD}
19	C2	55	A0	91	$\overline{\text{RESET}}$	127	CLKX1
20	C3	56	DV _{DD}	92	USBPLL _{VSS}	128	DR1
21	C4	57	D0	93	$\overline{\text{INT0}}$	129	FSR1
22	C5	58	D1	94	$\overline{\text{INT1}}$	130	CLKR1
23	C6	59	D2	95	USBPLL _{VDD}	131	DX0
24	DV _{DD}	60	V _{SS}	96	$\overline{\text{INT2}}$	132	CV _{DD}
25	C7	61	D3	97	$\overline{\text{INT3}}$	133	FSX0
26	C8	62	D4	98	DV _{DD}	134	CLKX0
27	C9	63	D5	99	$\overline{\text{INT4}}$	135	DR0
28	C11	64	V _{SS}	100	V _{SS}	136	FSR0
29	CV _{DD}	65	D6	101	XF	137	CLKR0
30	CV _{DD}	66	D7	102	V _{SS}	138	V _{SS}
31	C14	67	D8	103	ADV _{SS}	139	DV _{DD}
32	C12	68	CV _{DD}	104	ADV _{DD}	140	TIN/TOUT0
33	V _{SS}	69	D9	105	AIN0	141	GPIO6
34	C10	70	D10	106	AIN1	142	GPIO4
35	C13	71	D11	107	AV _{DD}	143	GPIO3
36	V _{SS}	72	DV _{DD}	108	AV _{SS}	144	V _{SS}

2.3 Signal Descriptions

Table 2-2 lists each signal, function, and operating mode(s) grouped by function. See Section 2.2 for pin locations.

Table 2-2. Signal Descriptions

TERMINAL NAME	MULTIPLEXED SIGNAL NAME	I/O/Z ⁽¹⁾	FUNCTION	BK ⁽²⁾	RESET CONDITION
PARALLEL BUS					
A[13:0]		I/O/Z	A subset of the parallel address bus A13–A0 of the C55x DSP core bonded to external pins. These pins serve in one of three functions: HPI address bus (HPI.HA[13:0]), EMIF address bus (EMIF.A[13:0]), or general-purpose I/O (GPIO.A[13:0]). The initial state of these pins depends on the GPIO0 pin. See Section 3.6.1 for more information. The address bus has a bus holder feature that eliminates passive component requirement and the power dissipation associated with them. The bus holders keep the address bus at the previous logic level when the bus goes into a high-impedance state.		
	HPI.HA[13:0]	I	HPI address bus. HPI.HA[13:0] is selected when the Parallel Port Mode bit field of the External Bus Selection Register is 10. This setting enables the HPI in non-multiplexed mode. HPI.HA[13:0] provides DSP internal memory access to host. In non-multiplexed mode, these signals are driven by an external host as address lines.	BK	GPIO0 = 1: Output, EMIF.A[13:0] GPIO0 = 0: Input, HPI.HA[13:0]
	EMIF.A[13:0]	O/Z	EMIF address bus. EMIF.A[13:0] is selected when the Parallel Port Mode bit field of the External Bus Selection Register is 01. This setting enables the full EMIF mode and the EMIF drives the parallel port address bus. The internal A[14] address is exclusive-ORed with internal A[0] address and the result is routed to the A[0] pin.		
	GPIO.A[13:0]	I/O/Z	General-purpose I/O address bus. GPIO.A[13:0] is selected when the Parallel Port Mode bit field of the External Bus Selection Register is 11. This setting enables the HPI in multiplexed mode with the Parallel Port GPIO register controlling the parallel port address bus. GPIO is also selected when the Parallel Port Mode bit field is 00, enabling the Data EMIF mode.		

(1) I = Input, O = Output, S = Supply, Hi-Z = High-impedance

(2) BK = bus keeper (the bus keeper maintains the previous voltage level during reset or while the output pin is not driven), PU = pullup, PD = pulldown, H = hysteresis input buffer, FS = fail-safe buffer

Table 2-2. Signal Descriptions (continued)

TERMINAL NAME	MULTIPLEXED SIGNAL NAME	I/O/Z ⁽¹⁾	FUNCTION	BK ⁽²⁾	RESET CONDITION
D[15:0]		I/O/Z	A subset of the parallel bidirectional data bus D31–D0 of the C55x DSP core. These pins serve in one of two functions: EMIF data bus (EMIF.D[15:0]) or HPI data bus (HPI.HD[15:0]). The initial state of these pins depends on the GPIO0 pin. See Section 3.6.1 for more information. The data bus includes bus keepers to reduce the static power dissipation caused by floating, unused pins. This eliminates the need for external bias resistors on unused pins. When the data bus is not being driven by the CPU, the bus keepers keep the pins at the logic level that was most recently driven. (The data bus keepers are enabled at reset, and can be enabled/disabled under software control.)	BK	GPIO0 = 1: Input, EMIF.D[15:0] GPIO0 = 0: Input, HPI.HD[15:0]
	EMIF.D[15:0]	I/O/Z	EMIF data bus. EMIF.D[15:0] is selected when the Parallel Port Mode bit field of the External Bus Selection Register is 00 or 01.		
	HPI.HD[15:0]	I/O/Z	HPI data bus. HPI.HD[15:0] is selected when the Parallel Port Mode bit field of the External Bus Selection Register is 10 or 11.		
C0		I/O/Z	EMIF asynchronous memory read enable or general-purpose IO8. This pin serves in one of two functions: EMIF asynchronous memory read enable (EMIF.ARE) or general-purpose IO8 (GPIO8). The initial state of this pin depends on the GPIO0 pin. See Section 3.6.1 for more information.	BK	GPIO0 = 1: Output, EMIF.ARE GPIO0 = 0: Input, GPIO8
	EMIF.ARE	O/Z	Active-low EMIF asynchronous memory read enable. EMIF.ARE is selected when the Parallel Port Mode bit field of the External Bus Selection Register is 00 or 01.		
	GPIO8	I/O/Z	General-purpose IO8. GPIO8 is selected when the Parallel Port Mode bit field of the External Bus Selection Register is set to 10 or 11.		
C1		O/Z	EMIF asynchronous memory output enable or HPI interrupt output. This pin serves in one of two functions: EMIF asynchronous memory output enable (EMIF.AOE) or HPI interrupt output (HPI.HINT). The initial state of this pin depends on the GPIO0 pin. See Section 3.6.1 for more information.	BK	GPIO0 = 1: Output, EMIF.AOE GPIO0 = 0: Input, HPI.HINT
	EMIF.AOE	O/Z	Active-low asynchronous memory output enable. EMIF.AOE is selected when the Parallel Port Mode bit field of the External Bus Selection Register is 00 or 01.		
	HPI.HINT	O/Z	Active-low HPI interrupt output. HPI.HINT is selected when the Parallel Port Mode bit field of the External Bus Selection Register is 10 or 11.		

Table 2-2. Signal Descriptions (continued)

TERMINAL NAME	MULTIPLEXED SIGNAL NAME	I/O/Z ⁽¹⁾	FUNCTION	BK ⁽²⁾	RESET CONDITION
C2		I/O/Z	EMIF asynchronous memory write enable or HPI read/write. This pin serves in one of two functions: EMIF asynchronous memory write enable (EMIF. $\overline{\text{AWE}}$) or HPI read/write (HPI.HR $\overline{\text{W}}$). The initial state of this pin depends on the GPIO0 pin. See Section 3.6.1 for more information.	BK	GPIO0 = 1: Output, EMIF. $\overline{\text{AWE}}$ GPIO0 = 0: Input, HPI.HR $\overline{\text{W}}$
	EMIF. $\overline{\text{AWE}}$	O/Z	Active-low EMIF asynchronous memory write enable. EMIF. $\overline{\text{AWE}}$ is selected when the Parallel Port Mode bit field of the External Bus Selection Register is 00 or 01.		
	HPI.HR $\overline{\text{W}}$	I	HPI read/write. HPI.HR $\overline{\text{W}}$ is selected when the Parallel Port Mode bit field of the External Bus Selection Register is 10 or 11. HPI.HR/W controls the direction of the HPI transfer.		
C3		I/O/Z	EMIF data ready input or HPI ready output. This pin serves in one of two functions: EMIF data ready input (EMIF.ARDY) or HPI ready output (HPI.HRDY). The initial state of this pin depends on the GPIO0 pin. See Section 3.6.1 for more information.	H	GPIO0 = 1: Input, EMIF.ARDY GPIO0 = 0: Output, HPI.HRDY
	EMIF.ARDY	I	EMIF data ready input. Used to insert wait states for slow memories. EMIF.ARDY is selected when the Parallel Port Mode bit field of the External Bus Selection Register is 00 or 01. When this pin is used as ARDY, an external 2.2 k Ω		
	HPI.HRDY	O	HPI ready output. HPI.HRDY is selected when the Parallel Port Mode bit field of the External Bus Selection Register is 10 or 11.		
C4		I/O/Z	EMIF chip select for memory space CE0 or general-purpose IO9. This pin serves in one of two functions: EMIF chip select for memory space CE0 (EMIF. $\overline{\text{CE0}}$) or general-purpose IO9 (GPIO9). The initial state of this pin depends on the GPIO0 pin. See Section 3.6.1 for more information.	BK	GPIO0 = 1: Output, EMIF. $\overline{\text{CE0}}$ GPIO0 = 0: Input, GPIO9
	EMIF. $\overline{\text{CE0}}$	O/Z	Active-low EMIF chip select for memory space CE0. EMIF. $\overline{\text{CE0}}$ is selected when the Parallel Port Mode bit field of the External Bus Selection Register is set to 00 or 01.		
	GPIO9	I/O/Z	General-purpose IO9. GPIO9 is selected when the Parallel Port Mode bit field of the External Bus Selection Register is set to 10 or 11.		
C5		I/O/Z	EMIF chip select for memory space CE1 or general-purpose IO10. This pin serves in one of two functions: EMIF chip-select for memory space CE1 (EMIF. $\overline{\text{CE1}}$) or general-purpose IO10 (GPIO10). The initial state of this pin depends on the GPIO0 pin. See Section 3.6.1 for more information.	BK	GPIO0 = 1: Output, EMIF. $\overline{\text{CE1}}$ GPIO0 = 0: Input, GPIO10
	EMIF. $\overline{\text{CE1}}$	O/Z	Active-low EMIF chip select for memory space CE1. EMIF. $\overline{\text{CE1}}$ is selected when the Parallel Port Mode bit field of the External Bus Selection Register is set to 00 or 01.		
	GPIO10	I/O/Z	General-purpose IO10. GPIO10 is selected when the Parallel Port Mode bit field of the External Bus Selection Register is set to 10 or 11.		

Table 2-2. Signal Descriptions (continued)

TERMINAL NAME	MULTIPLEXED SIGNAL NAME	I/O/Z ⁽¹⁾	FUNCTION	BK ⁽²⁾	RESET CONDITION
C6		I/O/Z	EMIF chip select for memory space CE2 or HPI control input 0. This pin serves in one of two functions: EMIF chip-select for memory space CE2 (EMIF. $\overline{CE2}$) or HPI control input 0 (HPI.HCNTL0). The initial state of this pin depends on the GPIO0 pin. See Section 3.6.1 for more information.	BK	GPIO0 = 1: Output, EMIF. $\overline{CE2}$ GPIO0 = 0: Input, HPI.HCNTL0
	EMIF. $\overline{CE2}$	O/Z	Active-low EMIF chip select for memory space CE2. EMIF. $\overline{CE2}$ is selected when the Parallel Port Mode bit field of the External Bus Selection Register is set to 00 or 01.		
	HPI.HCNTL0	I	HPI control input 0. This pin, in conjunction with HPI.HCNTL1, selects a host access to one of the three HPI registers. HPI.HCNTL0 is selected when the Parallel Port Mode bit field of the External Bus Selection Register is set to 10 or 11.		
C7		I/O/Z	EMIF chip select for memory space CE3, general-purpose IO11, or HPI control input 1. This pin serves in one of three functions: EMIF chip-select for memory space CE3 (EMIF. $\overline{CE3}$), general-purpose IO11 (GPIO11), or HPI control input 1 (HPI.HCNTL1). The initial state of this pin depends on the GPIO0 pin. See Section 3.6.1 for more information.	BK	GPIO0 = 1: Output, EMIF. $\overline{CE3}$ GPIO0 = 0: Input, HPI.HCNTL1
	EMIF. $\overline{CE3}$	O/Z	Active-low EMIF chip select for memory space CE3. EMIF. $\overline{CE3}$ is selected when the Parallel Port Mode bit field is of the External Bus Selection Register set to 00 or 01.		
	GPIO11	I/O/Z	General-purpose IO11. GPIO11 is selected when the Parallel Port Mode bit field is set to 10.		
	HPI.HCNTL1	I	HPI control input 1. This pin, in conjunction with HPI.HCNTL0, selects a host access to one of the three HPI registers. The HPI.HCNTL1 mode is selected when the Parallel Port Mode bit field is set to 11.		
C8		I/O/Z	EMIF byte enable 0 control or HPI byte identification. This pin serves in one of two functions: EMIF byte enable 0 control (EMIF. $\overline{BE0}$) or HPI byte identification (HPI.HBE0). The initial state of this pin depends on the GPIO0 pin. See Section 3.6.1 for more information.	BK	GPIO0 = 1: Output, EMIF. $\overline{BE0}$ GPIO0 = 0: Input, HPI.HBE0
	EMIF. $\overline{BE0}$	O/Z	Active-low EMIF byte enable 0 control. EMIF. $\overline{BE0}$ is selected when the Parallel Port Mode bit field of the External Bus Selection Register is set to 00 or 01.		
	HPI.HBE0	I	HPI byte identification. This pin, in conjunction with HPI.HBE1, identifies the first or second byte of the transfer. HPI.HBE0 is selected when the Parallel Port Mode bit field is set to 10 or 11.		

Table 2-2. Signal Descriptions (continued)

TERMINAL NAME	MULTIPLEXED SIGNAL NAME	I/O/Z ⁽¹⁾	FUNCTION	BK ⁽²⁾	RESET CONDITION
C9		I/O/Z	EMIF byte enable 1 control or HPI byte identification. This pin serves in one of two functions: EMIF byte enable 1 control (EMIF.BE1) or HPI byte identification (HPI.HBE1). The initial state of this pin depends on the GPIO0 pin. See Section 3.6.1 for more information.	BK	GPIO0 = 1: Output, EMIF.BE1 GPIO0 = 0: Input, HPI.HBE1
	EMIF.BE1	O/Z	Active-low EMIF byte enable 1 control. EMIF.BE1 is selected when the Parallel Port Mode bit field of the External Bus Selection Register is set to 00 or 01.		
	HPI.HBE1	I	HPI byte identification. This pin, in conjunction with HPI.HBE0, identifies the first or second byte of the transfer. HPI.HBE1 is selected when the Parallel Port Mode bit field is set to 10 or 11.		
C10		I/O/Z	EMIF SDRAM row strobe, HPI address strobe, or general-purpose IO12. This pin serves in one of three functions: EMIF SDRAM row strobe (EMIF.SDRAS), HPI address strobe (HPI.HAS), or general-purpose IO12 (GPIO12). The initial state of this pin depends on the GPIO0 pin. See Section 3.6.1 for more information.	BK	GPIO0 = 1: Output, EMIF.SDRAS GPIO0 = 0: Input, HPI.HAS
	EMIF.SDRAS	O/Z	Active-low EMIF SDRAM row strobe. EMIF.SDRAS is selected when the Parallel Port Mode bit field of the External Bus Selection Register is set to 00 or 01.		
	HPI.HAS	I	Active-low HPI address strobe. This signal latches the address in the HPIA register in the HPI Multiplexed mode. HPI.HAS is selected when the Parallel Port Mode bit field is set to 11.		
	GPIO12	I/O/Z	General-purpose IO12. GPIO12 is selected when the Parallel Port Mode bit field is set to 10.		
C11		I/O/Z	EMIF SDRAM column strobe or HPI chip select input. This pin serves in one of two functions: EMIF SDRAM column strobe (EMIF.SDCAS) or HPI chip select input (HPI.HCS). The initial state of this pin depends on the GPIO0 pin. See Section 3.6.1 for more information.	BK	GPIO0 = 1: Output, EMIF.SDCAS GPIO0 = 0: Input, HPI.HCS
	EMIF.SDCAS	O/Z	Active-low EMIF SDRAM column strobe. EMIF.SDCAS is selected when the Parallel Port Mode bit field of the External Bus Selection Register is set to 00 or 01.		
	HPI.HCS	I	HPI Chip Select Input. HPI.HCS is the select input for the HPI and must be driven low during accesses. HPI.HCS is selected when the Parallel Port Mode bit field is set to 10 or 11.		
C12		I/O/Z	EMIF SDRAM write enable or HPI Data Strobe 1 input. This pin serves in one of two functions: EMIF SDRAM write enable (EMIF.SDWE) or HPI data strobe 1 (HPI.HDS1). The initial state of this pin depends on the GPIO0 pin. See Section 3.6.1 for more information.	BK	GPIO0 = 1: Output, EMIF.SDWE GPIO0 = 0: Input, HPI.HDS1
	EMIF.SDWE	O/Z	EMIF SDRAM write enable. EMIF.SDWE is selected when the Parallel Port Mode bit field of the External Bus Selection Register is set to 00 or 01.		
	HPI.HDS1	I	HPI Data Strobe 1 Input. HPI.HDS1 is driven by the host read or write strobes to control the transfer. HPI.HDS1 is selected when the Parallel Port Mode bit field is set to 10 or 11.		

Table 2-2. Signal Descriptions (continued)

TERMINAL NAME	MULTIPLEXED SIGNAL NAME	I/O/Z ⁽¹⁾	FUNCTION	BK ⁽²⁾	RESET CONDITION
C13		I/O/Z	SDRAM A10 address line or general-purpose IO13. This pin serves in one of two functions: SDRAM A10 address line (EMIF.SDA10) or general-purpose IO13 (GPIO13). The initial state of this pin depends on the GPIO0 pin. See Section 3.6.1 for more information.	BK	GPIO0 = 1: Output, EMIF.SDA10 GPIO0 = 0: Input, GPIO13
	EMIF.SDA10	O/Z	SDRAM A10 address line. Address line/autoprecharge disable for SDRAM memory. Serves as a row address bit (logically equivalent to A12) during ACTV commands and also disables the autoprecharging function of SDRAM during read or write operations. EMIF.SDA10 is selected when the Parallel Port Mode bit field of the External Bus Selection Register is set to 00 or 01.		
	GPIO13	I/O/Z	General-purpose IO13. GPIO13 is selected when the Parallel Port Mode bit field is set to 10 or 11.		
C14		I/O/Z	Memory interface clock for SDRAM, HPI Data Strobe 2 input, or general-purpose IO14. This pin serves in one of two functions: memory interface clock for SDRAM (EMIF.CLKMEM) or HPI data strobe 2 (HPI.HDS2). The initial state of this pin depends on the GPIO0 pin. See Section 3.6.1 for more information.	BK	GPIO0 = 1: Output, EMIF.CLKMEM GPIO0 = 0: Input, HPI.HDS2
	EMIF.CLKMEM	O/Z	Memory interface clock for SDRAM. EMIF.CLKMEM is selected when the Parallel Port Mode bit field of the External Bus Selection Register is set to 00 or 01.		
	HPI.HDS2	I	HPI Data Strobe 2 Input. HPI.HDS2 is driven by the host read or write strobes to control the transfer. HPI.HDS2 is selected when the Parallel Port Mode bit field is set to 10 or 11.		
INTERRUPT AND RESET PINS					
	$\overline{\text{INT}}[4:0]$	I	Active-low external user interrupt inputs. $\overline{\text{INT}}[4:0]$ are maskable and are prioritized by the interrupt enable register (IER) and the interrupt mode bit.	H, FS	Input
	$\overline{\text{RESET}}$	I	Active-low reset. $\overline{\text{RESET}}$ causes the digital signal processor (DSP) to terminate execution and forces the program counter to FF8000h. When $\overline{\text{RESET}}$ is brought to a high level, execution begins at location FF8000h of program memory. $\overline{\text{RESET}}$ affects various registers and status bits. Use an external pullup resistor on this pin.	H, FS	Input
BIT I/O SIGNALS					
GPIO[7:6, 4:0]		I/O/Z	7-bit Input/Output lines that can be individually configured as inputs or outputs, and also individually set or reset when configured as outputs. At reset, these pins are configured as inputs. After reset, the on-chip bootloader samples GPIO[3:0] to determine the boot mode selected.	BK (GPIO5 only) H (except GPIO5)	Input
	EMIF.CKE (GPIO4)	O/Z	SDRAM CKE signal. The GPIO4 pin can be configured to serve as SDRAM CKE pin by setting the following bits in the External Bus Selection Register: CKE SEL = 1 and CKE EN = 1. In default mode, this pin serves as GPIO4.		Input (GPIO4)

Table 2-2. Signal Descriptions (continued)

TERMINAL NAME	MULTIPLEXED SIGNAL NAME	I/O/Z ⁽¹⁾	FUNCTION	BK ⁽²⁾	RESET CONDITION
XF		O/Z	External flag. XF is set high by the BSET XF instruction, set low by BCLR XF instruction or by loading ST1. XF is used for signaling other processors in multiprocessor configurations or used as a general-purpose output pin. XF goes into the high-impedance state when $\overline{\text{OFF}}$ is low, and is set high following reset.		Output
	EMIF.CKE	O/Z	SDRAM CKE signal. The XF pin can be configured to serve as SDRAM CKE pin by setting the following bits in the External Bus Selection Register: CKE SEL = 0 and CKE EN = 1. In default mode, this pin serves as XF.		Output (XF)
OSCILLATOR/CLOCK SIGNALS					
CLKOUT		O/Z	DSP clock output signal. CLKOUT cycles at the machine-cycle rate of the CPU. $\overline{\text{CLKOUT}}$ goes into high-impedance state when $\overline{\text{OFF}}$ is low.		Output
X2/CLKIN		I/O	System clock/oscillator input. If the internal oscillator is not being used, X2/CLKIN functions as the clock input. NOTE: The USB module requires a 48-MHz clock. Since this input clock is used by both the CPU PLL and the USB module PLL, it must be a factor of 48 MHz in order for the programmable PLL to produce the required 48-MHz USB module clock. In CLKGEN domain idle (OSC IDLE) mode, this pin becomes output and is driven low to stop external crystals (if used) from oscillating or an external clock source from driving the DSP's internal logic.		Oscillator Input
X1		O	Output pin from the internal system oscillator for the crystal. If the internal oscillator is not used, X1 should be left unconnected. X1 does not go into the high-impedance state when $\overline{\text{OFF}}$ is low.		Oscillator Output
TIMER SIGNALS					
TIN/TOUT0		I/O/Z	Timer0 Input/Output. When output, TIN/TOUT0 signals a pulse or a change of state when the on-chip timer counts down past zero. When input, TIN/TOUT0 provides the clock source for the internal timer module. At reset, this pin is configured as an input. NOTE: Only the Timer0 signal is brought out. The Timer1 signal is terminated internally and is not available for external use.	H	Input
REAL-TIME CLOCK					
RTCINX1		I	Real-Time Clock Oscillator input		Input
RCINX2		O	Real-Time Clock Oscillator output		Output
I²C					
SDA		I/O/Z	I ² C (bidirectional) data. At reset, this pin is in high-impedance mode.	H	Hi-Z
SCL		I/O/Z	I ² C (bidirectional) clock. At reset, this pin is in high-impedance mode.	H	Hi-Z
MULTICHANNEL BUFFERED SERIAL PORTS SIGNALS					
CLKR0		I/O/Z	McBSP0 receive clock. CLKR0 serves as the serial shift clock for the serial port receiver. At reset, this pin is in high-impedance mode.	H	Hi-Z

Table 2-2. Signal Descriptions (continued)

TERMINAL NAME	MULTIPLEXED SIGNAL NAME	I/O/Z ⁽¹⁾	FUNCTION	BK ⁽²⁾	RESET CONDITION
DR0		I	McBSP0 receive data	FS	Input
FSR0		I/O/Z	McBSP0 receive frame synchronization. The FSR0 pulse initiates the data receive process over DR0. At reset, this pin is in high-impedance mode.		Hi-Z
CLKX0		I/O/Z	McBSP0 transmit clock. CLKX0 serves as the serial shift clock for the serial port transmitter. The CLKX0 pin is configured as input after reset.	H	Input
DX0		O/Z	McBSP0 transmit data. DX0 is placed in the high-impedance state when <u>not</u> transmitting, when RESET is asserted, or when OFF is low.		Hi-Z
FSX0		I/O/Z	McBSP0 transmit frame synchronization. The FSX0 pulse initiates the data transmit process over DX0. Configured as an input following reset.		Input
CLKR1		I/O/Z	McBSP1 receive clock. CLKR1 serves as the serial shift clock for the serial port receiver.	H	Input
DR1		I/Z	McBSP1 serial data receive		Input
FSR1		I/Z	McBSP1 receive frame synchronization. The FSR1 pulse initiates the data receive process over DR1.		Input
DX1		O/Z	McBSP1 serial data transmit. DX1 is placed in the high-impedance state when <u>not</u> transmitting, when RESET is asserted, or when OFF is low.	BK	Hi-Z
CLKX1		I/O/Z	McBSP1 transmit clock. CLKX1 serves as the serial shift clock for the serial port transmitter. The CLKX1 pin is configured as input after reset.	H	Input
CLKR2		I/O/Z	McBSP2 receive clock. CLKR2 serves as the serial shift clock for the serial port receiver.	H	Input
DR2		I	McBSP2 serial data receive		Input
FSR2		I	McBSP2 receive frame synchronization. The FSR2 pulse initiates the data receive process over DR2.		Input
DX2		O/Z	McBSP2 serial data transmit. DX2 is placed in the high-impedance state when <u>not</u> transmitting, when RESET is asserted, or when OFF is low.	BK	Hi-Z
CLKX2		I/O/Z	McBSP2 transmit clock. CLKX2 serves as the serial shift clock for the serial port transmitter. The CLKX2 pin is configured as input after reset.	H	Input
FSX2		I/O/Z	McBSP2 frame synchronization. The FSX2 pulse initiates the data transmit process over DX2. FSX2 is configured as an input following reset.		Input
USB					
DP		I/O/Z	Differential (positive) receive/transmit. At reset, this pin is configured as input.		Input
DN		I/O/Z	Differential (negative) receive/transmit. At reset, this pin is configured as input.		Input
PU		O/Z	Pullup output. This pin is used to pull up the detection resistor required by the USB specification. The pin is internally connected to USBVDD via a software controllable switch (CONN bit of the USBCTL register).		Hi-Z
A/D					
AIN0		I	Analog Input Channel 0		Input
AIN1		I	Analog Input Channel 1		Input

Table 2-2. Signal Descriptions (continued)

TERMINAL NAME	MULTIPLEXED SIGNAL NAME	I/O/Z ⁽¹⁾	FUNCTION	BK ⁽²⁾	RESET CONDITION
TEST/EMULATION PINS					
TCK		I	IEEE standard 1149.1 test clock. TCK is normally a free-running clock signal with a 50% duty cycle. The changes on test access port (TAP) of input signals TMS and TDI are clocked into the TAP controller, instruction register, or selected test data register on the rising edge of TCK. Changes at the TAP output signal (TDO) occur on the falling edge of TCK.	PU H	Input
TDI		I	IEEE standard 1149.1 test data input. Pin with internal pullup device. TDI is clocked into the selected register (instruction or data) on a rising edge of TCK.	PU	Input
TDO		O/Z	IEEE standard 1149.1 test data output. The contents of the selected register (instruction or data) are shifted out of TDO on the falling edge of TCK. TDO is in the high-impedance state except when the scanning of data is in progress.		Hi-Z
TMS		I	IEEE standard 1149.1 test mode select. Pin with internal pullup device. This serial control input is clocked into the TAP controller on the rising edge of TCK.	PU	Input
$\overline{\text{TRST}}$		I	IEEE standard 1149.1 test reset. $\overline{\text{TRST}}$, when high, gives the IEEE standard 1149.1 scan system control of the operations of the device. If $\overline{\text{TRST}}$ is not connected or driven low, the device operates in its functional mode, and the IEEE standard 1149.1 signals are ignored. This pin has an internal pulldown.	PD FS	Input
EMU0		I/O/Z	Emulator 0 pin. When $\overline{\text{TRST}}$ is driven low, EMU0 must be high for activation of the $\overline{\text{OFF}}$ condition. When $\overline{\text{TRST}}$ is driven high, EMU0 is used as an interrupt to or from the emulator system and is defined as I/O by way of the IEEE standard 1149.1 scan system.	PU	Input
EMU1/ $\overline{\text{OFF}}$		I/O/Z	Emulator 1 pin/disable all outputs. When $\overline{\text{TRST}}$ is driven high, EMU1/ $\overline{\text{OFF}}$ is used as an interrupt to or from the emulator system and is defined as I/O by way of IEEE standard 1149.1 scan system. When $\overline{\text{TRST}}$ is driven low, EMU1/ $\overline{\text{OFF}}$ is configured as $\overline{\text{OFF}}$. The EMU1/ $\overline{\text{OFF}}$ signal, when active-low, puts all output drivers into the high-impedance state. Note that $\overline{\text{OFF}}$ is used exclusively for testing and emulation purposes (not for multiprocessing applications). Therefore, for the $\overline{\text{OFF}}$ condition, the following apply: $\overline{\text{TRST}}$ = low, EMU0 = high, EMU1/ $\overline{\text{OFF}}$ = low.	PU	Input
SUPPLY PINS					
CV _{DD}		S	Digital Power, + VDD. Dedicated power supply for the core CPU.		
DV _{DD}		S	Digital Power, + VDD. Dedicated power supply for the I/O pins.		
USBV _{DD}		S	Digital Power, + VDD. Dedicated power supply for the I/O of the USB module (DP, DN, and PU).		
RDV _{DD}		S	Digital Power, + VDD. Dedicated power supply for the I/O pins of the RTC module.		
RCV _{DD}		S	Digital Power, + VDD. Dedicated power supply for the RTC module.		
AV _{DD}		S	Analog Power, + VDD. Dedicated power supply for the 10-bit A/D.		

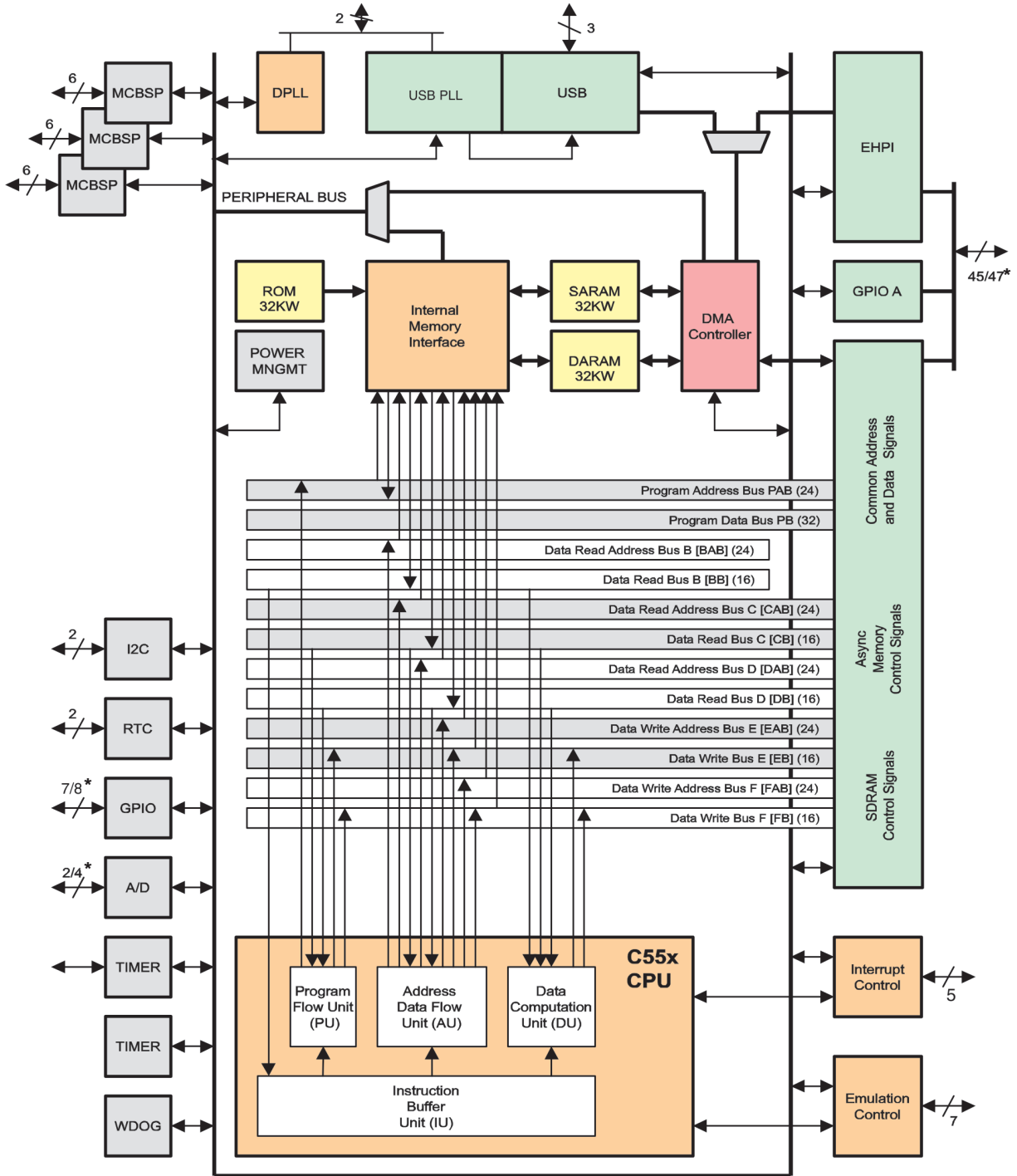
Table 2-2. Signal Descriptions (continued)

TERMINAL NAME	MULTIPLEXED SIGNAL NAME	I/O/Z ⁽¹⁾	FUNCTION	BK ⁽²⁾	RESET CONDITION
ADV _{DD}		S	Analog Digital Power, + VDD. Dedicated power supply for the digital portion of the 10-bit A/D.		
USBPLL _{V_{DD}}		S	Digital Power, + VDD. Dedicated power supply pin for the USB PLL.		
V _{SS}		S	Digital Ground. Dedicated ground for the I/O and core pins.		
AV _{SS}		S	Analog Ground. Dedicated ground for the 10-bit A/D.		
ADV _{SS}		S	Analog Digital Ground. Dedicated ground for the digital portion of the 10-bit A/D.		
USBPLL _{V_{SS}}		S	Digital Ground. Dedicated ground for the USB PLL.		
MISCELLANEOUS					
NC			No connection		

3 Functional Overview

3.1 Functional Block Diagram

The following functional overview is based on the block diagram in Figure 3-1.



* Number of pins determined by package type.

Figure 3-1. Block Diagram of the SM320VC5507

3.2 Memory

The 5507 supports a unified memory map (program and data accesses are made to the same physical space). The total on-chip memory is 192K bytes (64K 16-bit words of RAM and 32K 16-bit words of ROM).

3.2.1 On-Chip Dual-Access RAM (DARAM)

The DARAM is located in the byte address range 000000h–00FFFFh and is composed of eight blocks of 8K bytes each (see [Table 3-1](#)). Each DARAM block can perform two accesses per cycle (two reads, two writes, or a read and a write). DARAM can be accessed by the internal program, data, or DMA buses. The HPI can only access the first four (32K bytes) DARAM blocks.

Table 3-1. DARAM Blocks

BYTE ADDRESS RANGE	MEMORY BLOCK
000000h – 001FFFh	DARAM 0 (HPI accessible) ⁽¹⁾
002000h – 003FFFh	DARAM 1 (HPI accessible)
004000h – 005FFFh	DARAM 2 (HPI accessible)
006000h – 007FFFh	DARAM 3 (HPI accessible)
008000h – 009FFFh	DARAM 4
00A000h – 00BFFFh	DARAM 5
00C000h – 00DFFFh	DARAM 6
00E000h – 00FFFFh	DARAM 7

(1) First 192 bytes are reserved for Memory-Mapped Registers (MMRs).

3.2.2 On-Chip Single-Access RAM (SARAM)

The SARAM is located at the byte address range 010000h–01FFFFh and is composed of 8 blocks of 8K bytes each (see [Table 3-2](#)). Each SARAM block can perform one access per cycle (one read or one write). SARAM can be accessed by the internal program, data, or DMA buses.

Table 3-2. SARAM Blocks

BYTE ADDRESS RANGE	MEMORY BLOCK
010000h – 011FFFh	SARAM 0
012000h – 013FFFh	SARAM 1
014000h – 015FFFh	SARAM 2
016000h – 017FFFh	SARAM 3
018000h – 019FFFh	SARAM 4
01A000h – 01BFFFh	SARAM 5
01C000h – 01DFFFh	SARAM 6
01E000h – 01FFFFh	SARAM 7

3.2.3 On-Chip Read-Only Memory (ROM)

The one-wait-state ROM is located at the byte address range FF0000h–FFFFFFh, for a total of 64K bytes of ROM. The ROM address space can be mapped by software to the external memory or to the internal ROM.

The standard 5507 device includes a bootloader program resident in the ROM. When the MPNMC bit field of the ST3 status register is set through software, the on-chip ROM is disabled and not present in the memory map, and byte address range FF0000h–FFFFFFh is directed to external memory space. A hardware reset always clears the MPNMC bit, so it is not possible to disable the ROM at reset. However, the software reset instruction does not affect the MPNMC bit. The on-chip ROM can be accessed by the program, data, or DMA buses. The first 16-bit word access to ROM requires three cycles. Subsequent accesses require two cycles per 16-bit word.

3.2.4 Memory Maps

3.2.4.1 PGE Package Memory Map

The PGE package features 14 address bits representing 32K-/16K-byte linear address for asynchronous memories per CE space. Due to address row/column multiplexing, address reach for SDRAM devices is 4M bytes for each CE space. The largest SDRAM device that can be used with the 5507 in a PGE package is 128M-bit SDRAM.

Byte Address (Hex) [†]	Memory Blocks	Block Size
000000	MMR (Reserved)	
0000C0	DARAM / HPI Access	(32K- 192) Bytes
008000	DARAM‡	32K Bytes
010000	SARAM§	64K Bytes
020000	Reserved	
040000	External ¶-CE0	32K/16K Bytes - Asynchronous* 4M Bytes - 128K Bytes SDRAM#
400000	External ¶-CE1	32K/16K Bytes - Asynchronous* 4M Bytes - SDRAM
800000	External ¶-CE2	32K/16K Bytes - Asynchronous* 4M Bytes - SDRAM
C00000	External ¶-CE3	32K/16K Bytes - Asynchronous* 4M Bytes -SDRAM (MPNMC = 1) 4M Bytes - 64K Bytes if internal ROM selected (MPNMC = 0)
FF0000	ROM (if MPNMC=0) External ¶-CE3 (if MPNMC=1)	64K Bytes
FFFFFF		

† Address shown represents the first byte address in each block.

‡ Dual-access RAM (DARAM): two accesses per cycle per block, 8 blocks of 8K bytes.

§ Single-access RAM (SARAM): one access per cycle per block, 8 blocks of 8K bytes.

¶ External memory spaces are selected by the chip-enable signal shown (CE[0:3]). Supported memory types include: asynchronous static RAM (SRAM) and synchronous DRAM (SDRAM).

The minus 128K bytes consists of 32K-byte DARAM/HPI access, 32K-byte DARAM, and 64K-byte SARAM.

|| Read-only memory (ROM): one access every two cycles.

* 32K bytes for 16-bit-wide memory. 16K bytes for 8-bit-wide memory.

Figure 3-2. SM320VC5507 Memory Map

3.2.5 Boot Configuration

The on-chip bootloader provides a method to transfer application code and tables from an external source to the on-chip RAM memory at power up. These options include:

- Enhanced host-port interface (HPI) in multiplexed or nonmultiplexed mode
- External asynchronous memory boot (via the EMIF) from 8-bit-wide or 16-bit-wide memory
- Serial port boot (from McBSP0) with 8-bit or 16-bit data length
- Serial EPROM boot (from McBSP0) supporting EPROMs with 16-bit or 24-bit address
- USB boot
- I²C EEPROM
- Direct execution from external 16-bit-wide asynchronous memory

External pins select the boot configuration. The values of GPIO[3:0] are sampled, following reset, upon execution of the on-chip bootloader code. It is not possible to disable the bootloader at reset because the 5507 always starts execution from the on-chip ROM following a hardware reset. A summary of boot configurations is shown in [Table 3-3](#). For more information on using the bootloader, see the Using the TMS320VC5503/VC5507/VC5509/VC5509A Bootloader application report (literature number [SPRA375](#)).

Table 3-3. Boot Configuration Summary

GPIO0	GPIO3	GPIO2	GPIO1	BOOT MODE PROCESS
0	0	0	0	Reserved
0	0	0	1	Serial (SPI) EPROM Boot (24-bit address) via McBSP0
0	0	1	0	USB
0	0	1	1	I ² C EEPROM (7-bit address)
0	1	0	0	Reserved
0	1	0	1	HPI – multiplexed mode
0	1	1	0	HPI – nonmultiplexed mode
0	1	1	1	Reserved
1	0	0	0	Execute from 16-bit-wide asynchronous memory (on $\overline{CE1}$ space)
1	0	0	1	Serial (SPI) EPROM Boot (16-bit address) via McBSP0
1	0	1	0	8-bit asynchronous memory (on $\overline{CE1}$ space)
1	0	1	1	16-bit asynchronous memory (on $\overline{CE1}$ space)
1	1	0	0	Reserved
1	1	0	1	Reserved
1	1	1	0	Standard serial boot via McBSP0 (16-bit data)
1	1	1	1	Standard serial boot via McBSP0 (8-bit data)

3.3 Peripherals

The 5507 supports the following peripherals:

- A configurable parallel external interface supporting either:
 - 16-bit external memory interface (EMIF) for asynchronous memory and/or SDRAM
 - 16-bit enhanced host-port interface (HPI)
- A six-channel direct memory access (DMA) controller
- A programmable phase-locked loop clock generator
- Two 20-bit timers
- Watchdog timer
- Three multichannel buffered serial ports (McBSPs)
- Eight configurable general-purpose I/O pins

- USB full-speed slave interface supporting:
 - Bulk
 - Interrupt
 - Isochronous
- I²C multi-master and slave interface (I²C compatible except, no fail-safe I/O buffers)
- Real-time clock with crystal input, separate clock domain and supply pins
- 4-channel 10-bit Successive Approximation A/D

For detailed information on the C55x DSP peripherals, see the following documents:

- TMS320C55x DSP Functional Overview (literature number [SPRU312](#))
- TMS320C55x DSP Peripherals Overview Reference Guide (literature number [SPRU317](#))

3.4 Direct Memory Access (DMA) Controller

The 5507 DMA provides the following features:

- Four standard ports, one for each of the following data resources: DARAM, SARAM, peripherals and external memory
- Six channels, which allow the DMA controller to track the context of six independent DMA channels
- Programmable low/high priority for each DMA channel
- One interrupt for each DMA channel
- Event synchronization. DMA transfers in each channel can be dependent on the occurrence of selected events.
- Programmable address modification for source and destination addresses
- Dedicated idle domain allows the DMA controller to be placed in a low-power (idle) state under software control.
- Dedicated DMA channel used by the HPI to access internal memory (DARAM)

The 5507 DMA controller allows transfers to be synchronized to selected events. The 5507 supports 15 separate sync events and each channel can be tied to separate sync events independent of the other channels. Sync events are selected by programming the SYNC field in the channel-specific DMA channel control register (DMA_CCR).

3.4.1 DMA Channel Control Register (DMA_CCR)

The channel control register (DMA_CCR) bit layouts are shown in [Figure 3-3](#).

15	14	13	12	11	10	9	8		
DST AMODE		SRC AMODE		END PROG	Reserved	REPEAT	AUTO INIT		
R/W, 00		R/W, 00		R/W, 0	R, 0	R/W, 0	R/W, 0		
7		6		5		4		0	
EN		PRIO		FS		SYNC			
R/W, 0		R/W, 0		R/W, 0		R/W, 00000			

LEGEND: R = Read, W = Write, n = value after reset

Figure 3-3. DMA_CCR Bit Locations

The SYNC[4:0] bits specify the event that can initiate the DMA transfer for the corresponding DMA channel. The five bits allow several configurations as listed in [Table 3-4](#). The bits are set to zero upon reset. For those synchronization modes with more than one peripheral listed, the Serial Port Mode bit field of the External Bus Selection Register dictates which peripheral event is actually connected to the DMA input.

Table 3-4. Synchronization Control Function

SYNC FIELD IN DMA_CCR	SYNCHRONIZATION MODE
00000b	No event synchronized
00001b	McBSP 0 receive event (REVT0)
00010b	McBSP 0 transmit event (XEVT0)
00011b	Reserved. These bits should always be written with 0.
00100b	Reserved. These bits should always be written with 0.
00101b	McBSP1 receive event (REVT1)
00110b	McBSP1 transmit event (XEVT1)
00111b	Reserved. These bits should always be written with 0.
01000b	Reserved. These bits should always be written with 0.
01001b	McBSP2 receive event (REVT2)
01010b	McBSP2 transmit event (XEVT2)
01011b	Reserved. These bits should always be written with 0.
01100b	Reserved. These bits should always be written with 0.
01101b	Timer 0 interrupt event
01110b	Timer 1 interrupt event
01111b	External interrupt 0
10000b	External interrupt 1
10001b	External interrupt 2
10010b	External interrupt 3
10011b	External interrupt 4 / I ² C receive event (REVTI2C) ⁽¹⁾
10100b	I ² C transmit event (XEVTI2C)
Other values	Reserved (do not use these values)

(1) The I²C receive event (REVTI2C) and external interrupt 4 (INT4) share a synchronization input to the DMA. When the SYNC field of the DMA_CCR is set to 10011b, the logical OR of these two sources is used for DMA synchronization.

3.5 I²C Interface

The SM320VC5507 includes an I²C serial port. The I²C port supports:

- Compatibility with Philips I²C Specification Revision 2.1 (January 2000)
- Operation at 100 Kbps or 400 Kbps
- 7-bit addressing mode
- Master (transmit/receive) and slave (transmit/receive) modes of operation
- Events: DMA, interrupt, or polling

The I²C module clock must be in the range from 7 MHz to 12 MHz. This is necessary for proper operation of the I²C module. With the I²C module clock in this range, the noise filters on the SDA and SCL pins suppress noise that has a duration of 50 ns or shorter. The I²C module clock is derived from the DSP clock divided by a programmable prescaler.

NOTE

I/O buffers are not fail-safe. The SDA and SCL pins could potentially draw current if the device is powered down and SDA and SCL are driven by other devices connected to the I²C bus.

3.6 Configurable External Buses

The 5507 offers combinations of configurations for its external parallel port. This allows the system designer to choose the appropriate media interface for its application without the need of a large-pin-count package. The External Bus Selection Register controls the routing of the parallel port signals.

3.6.1 External Bus Selection Register (EBSR)

The External Bus Selection Register determines the mapping of the 21 address signals, 16 data signals, and 15 control signals of the external parallel port. The External Bus Selection Register is memory-mapped at port address 0x6C00. Once the bit fields of this register are changed, the routing of the signals takes place on the next CPU clock cycle.

The reset value of the parallel port mode bit field is determined by the state of the GPIO0 pin at reset. If GPIO0 is high at reset, the full EMIF mode is enabled and the parallel port mode bit field is set to 01. If GPIO0 is low at reset, the HPI multiplexed mode is enabled and the parallel port mode bit field is set to 11. After reset, the parallel port should be selected to function in either EMIF mode or HPI mode. Dynamic switching of the parallel port, once configured, is not recommended.

15	14	13	12	11	10	9	8
CLKOUT Disable	OSC Disable	HIDL	$\overline{\text{BKE}}$	SR STAT	HOLD	HOLDA	CKE SEL
R/W, 0	R/W, 0	R/W, 0	R/W, 0	R/W, 0	R/W, 0	R/W, 1	R/W, 0
7	6	5	2			1	0
CKE EN	SR CMD	Reserved (see NOTE)				Parallel Port Mode	
R/W, 0	R/W, 0	R, 0000				R/W, 01 if GPIO0 = 1 11 if GPIO0 = 0	

LEGEND: R = Read, W = Write, n = value after reset

NOTE: These bits are Reserved and must be kept as 0000 during any writes to EBSR.

Figure 3-4. External Bus Selection Register

Table 3-5. External Bus Selection Register Bit Field Description

BITS	DESCRIPTION
15	CLKOUT disable CLKOUT disable = 0: CLKOUT enabled CLKOUT disable = 1: CLKOUT disabled
14	Oscillator disable. Works with IDLE instruction to put the clock generation domain into IDLE mode. OSC disable = 0: Oscillator enabled OSC disable = 1: Oscillator disabled
13	Host mode idle bit (applicable only if the parallel bus is configured as EHPI) When the parallel bus is set to EHPI mode, the clock domain is not allowed to go to idle, so a host processor can access the DSP internal memory. The HIDL bit works around this restriction and allows the DSP to idle the clock domain and the EHPI. When the clock domain is in idle, a host processor will not be able to access the DSP memory. HIDL = 0: Host access to DSP enabled. Idling EHPI and clock domain is not allowed. HIDL = 1: Idles the HPI and the clock domain upon execution of the IDLE instruction when the parallel port mode is set to 10 or 11 selecting HPI mode. In addition, bit 4 of the Idle Control Register must be set to 1 prior to the execution of the IDLE instruction.
12	Bus keeper enable ⁽¹⁾ $\overline{\text{BKE}}$ = 0: Bus keeper, pullups/pulldowns enabled $\overline{\text{BKE}}$ = 1: Bus keeper, pullups/pulldowns disabled
11	SDRAM self-refresh status bit SR STAT = 0: SDRAM self-refresh signal is not asserted. SR STAT = 1: SDRAM self-refresh signal is asserted.

(1) Function available when the port or pins configured as input.

Table 3-5. External Bus Selection Register Bit Field Description (continued)

BITS	DESCRIPTION
10	EMIF hold HOLD = 0: DSP drives the external memory bus HOLD = 1: Request the external memory bus to be placed in high-impedance so that another device can drive the memory bus
9	EMIF hold acknowledge HOLDA = 0: DSP indicates that a hold request on the external memory bus has occurred, the EMIF completed any pending external bus activity, and placed the external memory bus signals in high-impedance state (address bus, data bus, CE[3:0], AOE, AWE, ARE, SDRAS, SDCAS, SDWE, SDA10, CLKMEN). Once this bit is cleared, an external device can drive the bus. HOLDA = 1: No hold acknowledge
8	SDRAM CKE pin selection bit CKE SEL = 0: Use XF for SDRAM CKE signal CKE SEL = 1: Use GPIO.4 for SDRAM CKE signal
7	SDRAM CKE enable bit CKE EN = 0: XF or GPIO.4 operates in normal mode CKE EN = 1: Based on the CKE SEL bit, either XF or GPIO.4 drives the SDRAM CKE pin
6	SDRAM self-refresh command SR CMD = 0: EMIF will not issue a SDRAM self-refresh command SR CMD = 1: EMIF will issue a SDRAM self-refresh command
5-2	Reserved. Must be kept as 0000 during any writes to EBSR.
1-0	Parallel port mode. EMIF/HPI/GPIO Mode. Determines the mode of the parallel port. Parallel Port Mode = 00: Data EMIF mode. The 16 EMIF data signals and 13 EMIF control signals are routed to the corresponding external parallel bus data and control signals. The 16 address bus signals can be used as general-purpose I/O only. Parallel Port Mode = 01: Full EMIF mode. The 21 address signals, 16 data signals, and 15 control signals are routed to the corresponding external parallel bus address, data, and control signals. Parallel Port Mode = 10: Non-multiplexed HPI mode. The HPI is enabled and its 14 address signals, 16 data signals, and 7 control signals are routed to the corresponding address, data, control signals of the external parallel bus. Moreover, 8 control signals of the external parallel bus are used as general-purpose I/O. Parallel Port Mode = 11: Multiplexed HPI mode. The HPI is enabled and its 16 data signals and 10 control signals are routed to the external parallel bus. In addition, 3 control signals of the external parallel bus are used as general-purpose I/O. The 16 external parallel port address bus signals are used as general-purpose I/O.

3.6.2 Parallel Port

The parallel port of the 5507 consists of 21 address signals, 16 data signals, and 15 control signals. Its 14 bits for address allow it to access 2M bytes of external memory when using the asynchronous SRAM interface. On the other hand, the SDRAM interface can access the whole external memory space of 16M bytes. The parallel bus supports four different modes:

- **Full EMIF mode:** the EMIF with its 21 address signals, 16 data signals, and 15 control signals routed to the corresponding external parallel bus address, data, and control signals.
- **Data EMIF mode:** the EMIF with its 16 data signals, and 15 control signals routed to the corresponding external parallel bus data and control signals. The 16 address bus signals can be used as general-purpose I/O signals only.
- **Non-multiplexed HPI mode:** the HPI is enabled with its 14 address signals, 16 data signals, and 8 control signals routed to the corresponding address, data, and control signals of the external parallel bus. Moreover, 7 control signals of the external parallel bus are used as general-purpose I/O.
- **Multiplexed HPI mode:** the HPI is enabled with its 16 data signals and 10 control signals routed to the external parallel bus. In addition, 5 control signals of the external parallel bus are used as general-purpose I/O. The external parallel port's 16 address signals are used as general-purpose I/O.

Table 3-6. SM320VC5507 Parallel Port Signal Routing

PIN SIGNAL	DATA EMIF (00) ⁽¹⁾	FULL EMIF (01) ⁽¹⁾	NON-MULTIPLEX HPI (10) ⁽¹⁾	MULTIPLEX HPI (11) ⁽¹⁾
ADDRESS BUS				
A'[0]	N/A	EMIF.A[0]	N/A	N/A
A[0]	GPIO.A[0]	N/A	HPI.HA[0]	GPIO.A[0]
A[13:1]	GPIO.A[13:1]	EMIF.A[13:1]	HPI.HA[13:1]	GPIO.A[13:1]
A[15:14]	GPIO.A[15:14]	EMIF.A[15:14]	N/A	GPIO.A[15:14]
A[20:16] ⁽²⁾	N/A	EMIF.A[20:16]	N/A	N/A
DATA BUS				
D[15:0]	EMIF.D[15:0]	EMIF.D[15:0]	HPI.HD[15:0]	HPI.HD[15:0]
CONTROL BUS				
C0	EMIF. $\overline{\text{ARE}}$	EMIF.ARE	GPIO8	GPIO8
C1	EMIF. $\overline{\text{AOE}}$	EMIF.AOE	HPI. $\overline{\text{HINT}}$	HPI. $\overline{\text{HINT}}$
C2	EMIF. $\overline{\text{AWE}}$	EMIF.AWE	HPI.HR/W	HPI.HR/W
C3	EMIF.ARDY	EMIF.ARDY	HPI.HRDY	HPI.HRDY
C4	EMIF. $\overline{\text{CE0}}$	EMIF. $\overline{\text{CE0}}$	GPIO9	GPIO9
C5	EMIF. $\overline{\text{CE1}}$	EMIF. $\overline{\text{CE1}}$	GPIO10	GPIO10
C6	EMIF. $\overline{\text{CE2}}$	EMIF. $\overline{\text{CE2}}$	HPI.HCNTL0	HPI.HCNTL0
C7	EMIF. $\overline{\text{CE3}}$	EMIF. $\overline{\text{CE3}}$	GPIO11	HPI.HCNTL1
C8	EMIF. $\overline{\text{BE0}}$	EMIF. $\overline{\text{BE0}}$	HPI. $\overline{\text{HBE0}}$	HPI. $\overline{\text{HBE0}}$
C9	EMIF. $\overline{\text{BE1}}$	EMIF. $\overline{\text{BE1}}$	HPI. $\overline{\text{HBE1}}$	HPI. $\overline{\text{HBE1}}$
C10	EMIF. $\overline{\text{SDRAS}}$	EMIF. $\overline{\text{SDRAS}}$	GPIO12	HPI. $\overline{\text{HAS}}$
C11	EMIF. $\overline{\text{SDCAS}}$	EMIF. $\overline{\text{SDCAS}}$	HPI.HCS	HPI.HCS
C12	EMIF. $\overline{\text{SDWE}}$	EMIF. $\overline{\text{SDWE}}$	HPI.HDS1	HPI.HDS1
C13	EMIF.SDA10	EMIF.SDA10	GPIO13	GPIO13
C14	EMIF.CLKMEM	EMIF.CLKMEM	HPI.HDS2	HPI.HDS2

(1) Represents the Parallel Port Mode bits of the External Bus Selection Register.

(2) A[20:16] of the BGA package always functions as EMIF address pins and they cannot be reconfigured for any other function.

3.6.3 Parallel Port Signal Routing

The 5507 allows access to 16-bit-wide (read and write) or 8-bit-wide (read only) asynchronous memory and 16-bit-wide SDRAM. For 16-bit-wide memories, EMIF.A[0] is kept low and is not used. To provide as many address pins as possible, the 5507 routes the parallel port signals as shown in [Figure 3-5](#).

[Figure 3-5](#) shows the addition of the A'[0] signal in the BGA package. This pin is used for asynchronous memory interface only, while the A[0] pin is used with HPI or GPIO. [Figure 3-6](#) summarizes the use of the parallel port signals for memory interfacing.

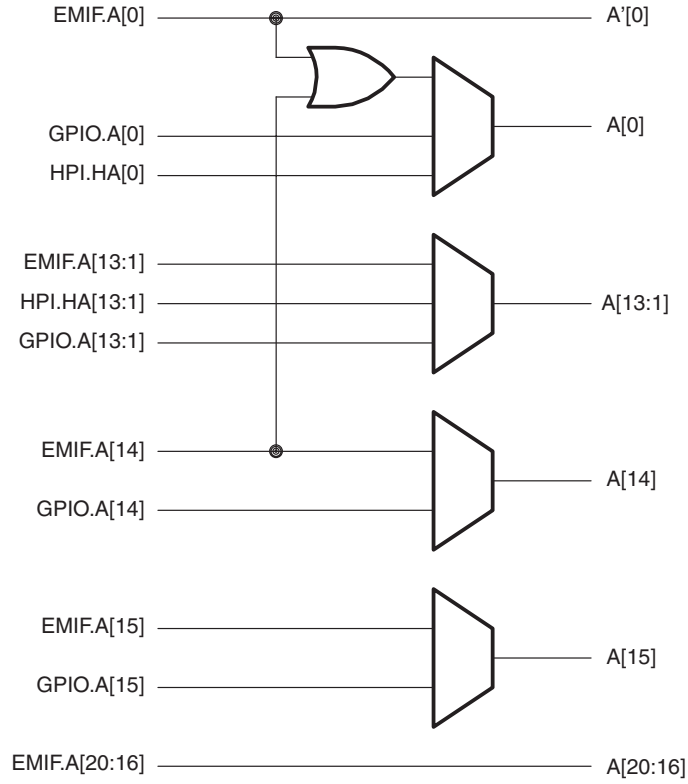
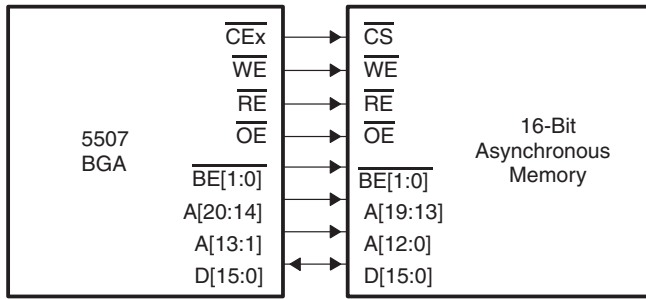
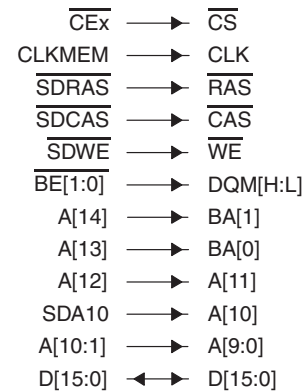


Figure 3-5. Parallel Port Signal Routing

16-Bit-Wide Asynchronous Memory



16-Bit-Wide SDRAM



8-Bit-Wide Asynchronous Memory

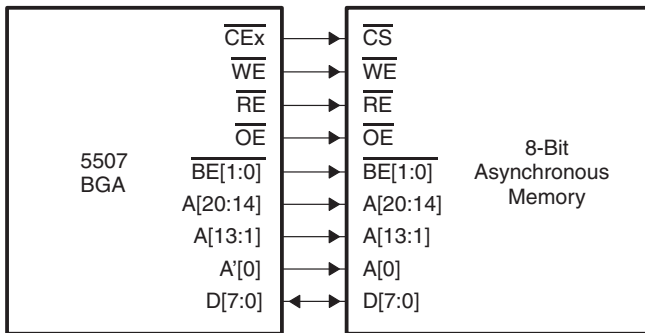


Figure 3-6. Parallel Port (EMIF) Signal Interface

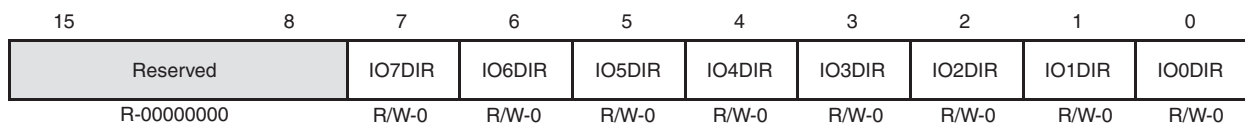
3.7 General-Purpose Input/Output (GPIO) Ports

3.7.1 Dedicated General-Purpose I/O

The 5507 provides eight dedicated general-purpose input/output pins, GPIO0–GPIO7. Each pin can be independently configured as an input or an output using the I/O Direction Register (IODIR). The I/O Data Register (IODATA) is used to monitor the logic state of pins configured as inputs and control the logic state of pins configured as outputs. See Table 3-29 for address information. The description of the IODIR is shown in Figure 3-7 and Table 3-7. The description of IODATA is shown in Figure 3-8 and Table 3-8.

To configure a GPIO pin as an input, clear the direction bit that corresponds to the pin in IODIR to 0. To read the logic state of the input pin, read the corresponding bit in IODATA.

To configure a GPIO pin as an output, set the direction bit that corresponds to the pin in IODIR to 1. To control the logic state of the output pin, write to the corresponding bit in IODATA.

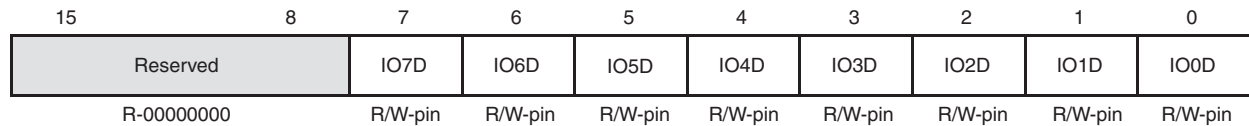


LEGEND: R = Read, W = Write, n = value after reset

Figure 3-7. I/O Direction Register (IODIR) Bit Layout

Table 3-7. I/O Direction Register (IODIR) Bit Functions

BIT NO.	BIT NAME	RESET VALUE	FUNCTION
15–8	Reserved	0	These bits are reserved and are unaffected by writes.
7–0	IOxDIR	0	IOx Direction Control Bit. Controls whether IOx operates as an input or an output. IOxDIR = 0; IOx is configured as an input. IOxDIR = 1; IOx is configured as an output.



LEGEND: R = Read, W = Write, pin = value present on the pin (IO7–IO0 default to inputs after reset)

Figure 3-8. I/O Data Register (IODATA) Bit Layout

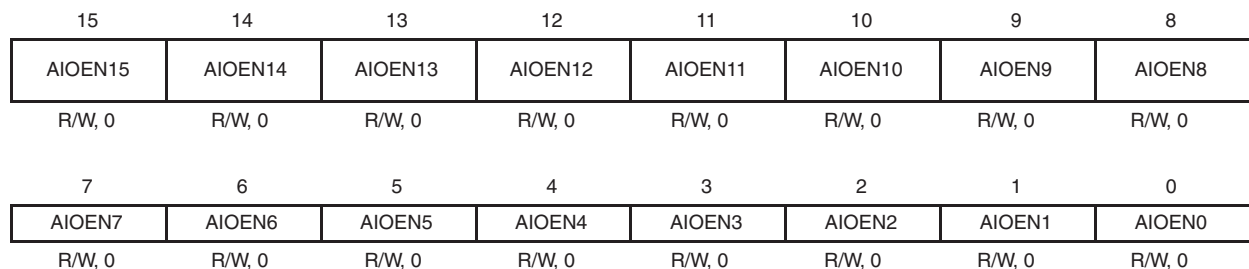
Table 3-8. I/O Data Register (IODATA) Bit Functions

BIT NO.	BIT NAME	RESET VALUE	FUNCTION
15–8	Reserved	0	These bits are reserved and are unaffected by writes.
7–0	IOxD	pin ⁽¹⁾	IOx Data Bit. IOxD = 0; The signal on the IOx pin is low. IOxD = 1; The signal on the IOx pin is high. If IOx is configured as an output (IOxDIR = 1 in IODIR): IOxD = 0; Drive the signal on the IOx pin low. IOxD = 1; Drive the signal on the IOx pin high.

(1) pin = value present on the pin (IO7–IO0 default to inputs after reset)

3.7.2 Address Bus General-Purpose I/O

The 16 address signals, EMIF.A[15–0], can also be individually enabled as GPIO when the Parallel Port Mode bit field of the External Bus Selection Register is set for Data EMIF (00) or Multiplexed EHPI mode (11). These pins are controlled by three registers: the enable register, AGPIOEN, determines if the pins serve as GPIO or address (see Figure 3-9); the direction register, AGPIODIR, determines if the GPIO enabled pin is an input or output (see Figure 3-10); and the data register, AGPIODATA, determines the logic states of the pins in general-purpose I/O mode (see Figure 3-11).



LEGEND: R = Read, W = Write, n = value after reset

Figure 3-9. Address/GPIO Enable Register (AGPIOEN) Bit Layout

Table 3-9. Address/GPIO Enable Register (AGPIOEN) Bit Functions

BIT NO.	BIT NAME	RESET VALUE	FUNCTION
15-0	AIOENx	0	Enable or disable GPIO function of Address Bus of EMIF. AIOENx = 0; GPIO function of Ax line is disabled; i.e., Ax has address function. AIOENx = 1; GPIO function of Ax line is enabled; i.e., Ax has GPIO function.

15	14	13	12	11	10	9	8
AIODIR15	AIODIR14	AIODIR13	AIODIR12	AIODIR11	AIODIR10	AIODIR9	AIODIR8
R/W, 0	R/W, 0	R/W, 0	R/W, 0	R/W, 0	R/W, 0	R/W, 0	R/W, 0

7	6	5	4	3	2	1	0
AIODIR7	AIODIR6	AIODIR5	AIODIR4	AIODIR3	AIODIR2	AIODIR1	AIODIR0
R/W, 0	R/W, 0	R/W, 0	R/W, 0	R/W, 0	R/W, 0	R/W, 0	R/W, 0

LEGEND: R = Read, W = Write, n = value after reset

Figure 3-10. Address/GPIO Direction Register (AGPIODIR) Bit Layout

Table 3-10. Address/GPIO Direction Register (AGPIODIR) Bit Functions

BIT NO.	BIT NAME	RESET VALUE	FUNCTION
15-0	AIODIRx	0	Data direction bits that configure the Address Bus configured as I/O pins as either input or output pins. AIODIRx = 0; Configure corresponding pin as an input. AIODIRx = 1; Configure corresponding pin as an output.

15	14	13	12	11	10	9	8
AIOD15	AIOD14	AIOD13	AIOD12	AIOD11	AIOD10	AIOD9	AIOD8
R/W, 0	R/W, 0	R/W, 0	R/W, 0	R/W, 0	R/W, 0	R/W, 0	R/W, 0

7	6	5	4	3	2	1	0
AIOD7	AIOD6	AIOD5	AIOD4	AIOD3	AIOD2	AIOD1	AIOD0
R/W, 0	R/W, 0	R/W, 0	R/W, 0	R/W, 0	R/W, 0	R/W, 0	R/W, 0

LEGEND: R = Read, W = Write, n = value after reset

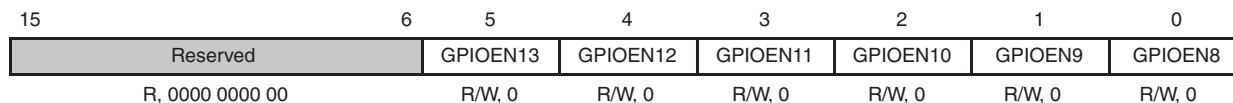
Figure 3-11. Address/GPIO Data Register (AGPIODATA) Bit Layout

Table 3-11. Address/GPIO Data Register (AGPIODATA) Bit Functions

BIT NO.	BIT NAME	RESET VALUE	FUNCTION
15-0	AIODx	0	Data bits that are used to control the level of the Address Bus configured as I/O output pins, and to monitor the level of the Address Bus configured as I/O input pins. If AIODIRn = 0, then: AIODx = 0; Corresponding I/O pin is read as a low. AIODx = 1; Corresponding I/O pin is read as a high. If AIODIRn = 1, then: AIODx = 0; Set corresponding I/O pin to low. AIODx = 1; Set corresponding I/O pin to high.

3.7.3 EHPI General-Purpose I/O

Six control lines of the External Parallel Bus can also be set as general-purpose I/O when the Parallel Port Mode bit field of the External Bus Selection Register is set to Nonmultiplexed EHPI (10) or Multiplexed EHPI mode (11). These pins are controlled by three registers: the enable register, EHPIGPIOEN, determines if the pins serve as GPIO or address (see Figure 3-12); the direction register, EHPIGPIODIR, determines if the GPIO enabled pin is an input or output (see Figure 3-13); and the data register, EHPIGPIODATA, determines the logic states of the pins in GPIO mode (see Figure 3-14).

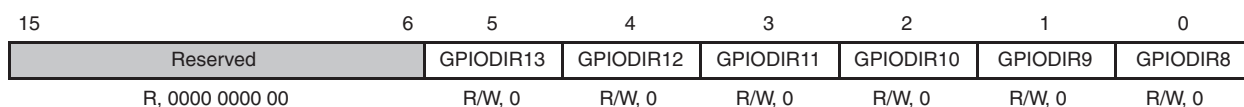


LEGEND: R = Read, W = Write, n = value after reset

Figure 3-12. EHPI GPIO Enable Register (EHPIGPIOEN) Bit Layout

Table 3-12. EHPI GPIO Enable Register (EHPIGPIOEN) Bit Functions

BIT NO.	BIT NAME	RESET VALUE	FUNCTION
15-6	Reserved	0	Reserved
5-0	GPIOEN13- GPIOEN8	0	Enable or disable GPIO function of EHPI Control Bus. GPIOENx = 0; GPIO function of GPIOx line is disabled. GPIOENx = 1; GPIO function of GPIOx line is enabled.

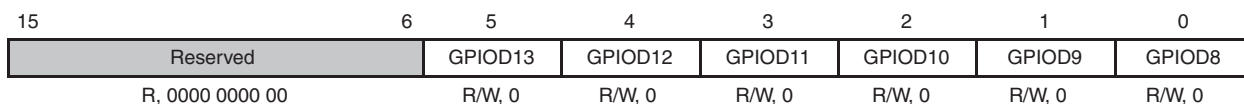


LEGEND: R = Read, W = Write, n = value after reset

Figure 3-13. EHPI GPIO Direction Register (EHPIGPIODIR) Bit Layout

Table 3-13. EHPI GPIO Direction Register (EHPIGPIODIR) Bit Functions

BIT NO.	BIT NAME	RESET VALUE	FUNCTION
15-6	Reserved	0	Reserved
5-0	GPIODIR13- GPIODIR8	0	Data direction bits that configure the EHPI Control Bus configured as I/O pins as either input or output pins. GPIODIRx = 0; Configure corresponding pin as an input. GPIODIRx = 1; Configure corresponding pin as an output.



LEGEND: R = Read, W = Write, n = value after reset

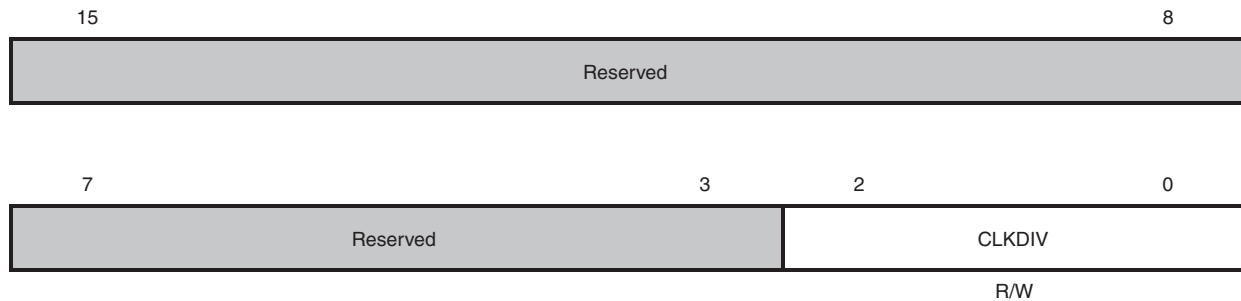
Figure 3-14. EHPI GPIO Data Register (EHPIGPIODATA) Bit Layout

Table 3-14. EHPI GPIO Data Register (EHPIGPIODATA) Bit Functions

BIT NO.	BIT NAME	RESET VALUE	FUNCTION
15-6	Reserved	0	Reserved
5-0	GPIOD13- GPIOD8	0	Data bits that are used to control the level of the EHPI Control Bus configured as I/O output pins, and to monitor the level of the EHPI Control Bus configured as I/O input pins. If GPIODIRn = 0, then: GPIODx = 0; Corresponding I/O pin is read as a low. GPIODx = 1; Corresponding I/O pin is read as a high. If GPIODIRn = 1, then: GPIODx = 0; Set corresponding I/O pin to low. GPIODx = 1; Set corresponding I/O pin to high.

3.8 System Register

The system register (SYSR) provides control over certain device-specific functions. The register is located at port address 07FDh.



LEGEND: R = Read, W = Write, n = value after reset

Figure 3-15. System Register Bit Locations

Table 3-15. System Register Bit Fields

BIT		FUNCTION
NUMBER	NAME	
15-3	Reserved	These bits are reserved and are unaffected by writes.
2-0	CLKDIV	CLKOUT Divide Factor. Allows the clock present on the CLKOUT pin to be a divided-down version of the internal CPU clock. This field does not affect the programming of the PLL. CLKDIV 000 = CLKOUT represents the CPU clock divided by 1 CLKDIV 001 = CLKOUT represents the CPU clock divided by 2 CLKDIV 010 = CLKOUT represents the CPU clock divided by 4 CLKDIV 011 = CLKOUT represents the CPU clock divided by 6 CLKDIV 100 = CLKOUT represents the CPU clock divided by 8 CLKDIV 101 = CLKOUT represents the CPU clock divided by 10 CLKDIV 110 = CLKOUT represents the CPU clock divided by 12 CLKDIV 111 = CLKOUT represents the CPU clock divided by 14

3.9 USB Clock Generation

The USB module can be clocked from either an Analog Phase-Locked Loop (APLL) or a Digital Phase-Locked Loop (DPLL). The APLL is the recommended USB clock source due to better noise tolerance and less long-term jitter than the DPLL. To maintain the backward compatibility, the DPLL is the power-up default clock source for the USB module.

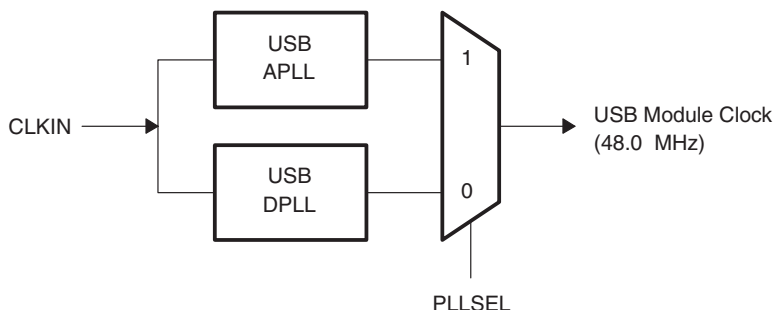


Figure 3-16. USB Clock Generation

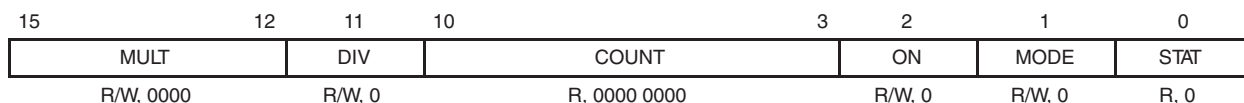


LEGEND: R = Read, W = Write, n = value after reset

Figure 3-17. USB PLL Selection and Status Register Bit Layout

Table 3-16. USB PLL Selection and Status Register Bit Functions

BIT NO.	BIT NAME	RESET VALUE	FUNCTION
15-3	Reserved	0	Reserved bits. Always write 0.
2	DPLLSTAT	1	Status bit indicating if the DPLL is the source for the USB module clock. DPLLSTAT = 0; The DPLL is not the USB module clock source. DPLLSTAT = 1; The DPLL is the USB module clock source.
1	APLLSTAT	0	Status bit indicating if the APLL is the source for the USB module clock. APLLSTAT = 0; The APLL is not the USB module clock source. APLLSTAT = 1; The APLL is the USB module clock source.
0	PLLSEL	0	USB module clock source selection bit. PLLSEL = 0; DPLL is selected as USB module clock source. PLLSEL = 1; APLL is selected as USB module clock source.



LEGEND: R = Read, W = Write, n = value after reset

Figure 3-18. USB APLL Clock Mode Register Bit Layout

Table 3-17. USB APLL Clock Mode Register Bit Functions

BIT NO.	BIT NAME	RESET VALUE	FUNCTION												
15-12	MULT	0	PLL Multiply Factor K. Multiply Factor K, combined with DIV and MODE, determines the final PLL output clock frequency. $K = \text{MULT}[3:0] + 1$												
11	DIV	0	PLL Divide Factor (D) selection bit for PLL multiply mode operation. DIV, combined with K and MODE, determines the final PLL output clock frequency. When the PLL is operating in multiply mode: DIV = 0; PLL Divide Factor D = 1 DIV = 1; PLL Divide Factor D = 2 if K is odd PLL Divide Factor D = 4 if K is even												
10-3	COUNT	0	Status bit indicating if the APLL is the source for the USB module clock. 8-bit counter for PLL lock timer. When the MODE bit is set to 1, the COUNT field starts decrementing by 1 at the rate of CLKIN/16. When COUNT decrements to 0, the STAT bit is set to 1 and the PLL enabled clock is sourced to the USB module.												
2	ON	0	PLL Voltage Controlled Oscillator (VCO) enable bit. This bit works in conjunction with MODE to enable or disable the VCO. <table border="1" style="margin-left: auto; margin-right: auto;"> <thead> <tr> <th>ON</th> <th>MODE</th> <th>VCO</th> </tr> </thead> <tbody> <tr> <td>0</td> <td>0</td> <td>OFF</td> </tr> <tr> <td>1</td> <td>X</td> <td>ON</td> </tr> <tr> <td>X</td> <td>1</td> <td>ON</td> </tr> </tbody> </table> X = Don't care	ON	MODE	VCO	0	0	OFF	1	X	ON	X	1	ON
ON	MODE	VCO													
0	0	OFF													
1	X	ON													
X	1	ON													
1	MODE	0	PLL mode selection bit MODE = 0; PLL operating in divide mode (VCO bypassed). When the PLL is operating in DIV mode, the PLL Divide Factor (D) is determined by the factor K. D = 2 if K = 1 to 15 D = 4 if K = 16 MODE = 1; PLL operating in multiply mode (VCO on). The PLL multiply and divide factors are determined by DIV and K.												
0	STAT	0	PLL lock status bit STAT = 0; PLL operating in DIV mode (VCO bypassed) STAT = 1; PLL operating in multiply mode (VCO on)												

DIV, combined with MODE and K, defines the final PLL multiplication ratio M/D as indicated below. The USB APLL clock frequency can be simply expressed by [Equation 1](#).

$$F_{\text{USB APLL CLK}} = F_{\text{CLKIN}} \times (M/D)$$

The multiplication factor M and the dividing factor D are defined in [Table 3-18](#).

Table 3-18. M and D Values Based on MODE, DIV, and K

MODE	DIV	K	M	D
0	X	1 to 15	1	2
0	X	16	1	4
1	0	1 to 15	K	1
1	0	16	1	1
1	1	Odd	K	2
1	1	Even	K-1	4

The USB clock generation and the PLL switching scheme are discussed in detail in the TMS320VC5507/5509 DSP Universal Serial Bus (USB) Module Reference Guide (literature number [SPRU596](#)) and in the Using the USB APLL on the TMS320VC5507/5509A Application Report (literature number [SPRA997](#)).

3.10 Memory-Mapped Registers

The 5507 has 78 memory-mapped CPU registers that are mapped in data memory space address 0h to 4Fh. [Table 3-19](#) provides a list of the CPU memory-mapped registers (MMRs) available.

Table 3-19. CPU Memory-Mapped Registers

REGISTER	WORD ADDRESS (HEX)	DESCRIPTION	BIT FIELD
IER0	00	Interrupt enable register 0	[15-0]
IFR0	01	Interrupt flag register 0	[15-0]
ST0_55	02	Status register 0 for C55x	[15-0]
ST1_55	03	Status register 1 for C55x	[15-0]
ST3_55	04	Status register 3 for C55x	[15-0]
–	05	Reserved	[15-0]
ST0	06	Status register ST0	[15-0]
ST1	07	Status register ST1	[15-0]
AC0L	08	Accumulator 0	[15-0]
AC0H	09		[31-16]
AC0G	0A		[39-32]
AC1L	0B	Accumulator 1	[15-0]
AC1H	0C		[31-16]
AC1G	0D		[39-32]
T3	0E	Temporary register	[15-0]
TRN0	0F	Transition register	[15-0]
AR0	10	Auxiliary register 0	[15-0]
AR1	11	Auxiliary register 1	[15-0]
AR2	12	Auxiliary register 2	[15-0]
AR3	13	Auxiliary register 3	[15-0]
AR4	14	Auxiliary register 4	[15-0]
AR5	15	Auxiliary register 5	[15-0]
AR6	16	Auxiliary register 6	[15-0]
AR7	17	Auxiliary register 7	[15-0]
SP	18	Stack pointer register	[15-0]
BK03	19	Circular buffer size register	[15-0]
BRC0	1A	Block repeat counter	[15-0]
RSA0L	1B	Block repeat start address	[15-0]
REA0L	1C	Block repeat end address	[15-0]
PMST	1D	Processor mode status register	[15-0]
XPC	1E	Program counter extension register	[7-0]
–	1F	Reserved	[15-0]
T0	20	Temporary data register 0	[15-0]
T1	21	Temporary data register 1	[15-0]
T2	22	Temporary data register 2	[15-0]
T3	23	Temporary data register 3	[15-0]
AC2L	24	Accumulator 2	[15-0]

Table 3-19. CPU Memory-Mapped Registers (continued)

REGISTER	WORD ADDRESS (HEX)	DESCRIPTION	BIT FIELD
AC2H	25		[31–16]
AC2G	26		[39–32]
CDP	27	Coefficient data pointer	[15–0]
AC3L	28	Accumulator 3	[15–0]
AC3H	29		[31–16]
AC3G	2A		[39–32]
DPH	2B	Extended data page pointer	[6–0]
MDP05	2C	Reserved	[6–0]
MDP67	2D	Reserved	[6–0]
DP	2E	Memory data page start address	[15–0]
PDP	2F	Peripheral data page start address	[8–0]
BK47	30	Circular buffer size register for AR[4–7]	[15–0]
BKC	31	Circular buffer size register for CDP	[15–0]
BSA01	32	Circular buffer start address register for AR[0–1]	[15–0]
BSA23	33	Circular buffer start address register for AR[2–3]	[15–0]
BSA45	34	Circular buffer start address register for AR[4–5]	[15–0]
BSA67	35	Circular buffer start address register for AR[6–7]	[15–0]
BSAC	36	Circular buffer coefficient start address register	[15–0]
BIOS	37	Data page pointer storage location for 128-word data table	[15–0]
TRN1	38	Transition register 1	[15–0]
BRC1	39	Block repeat counter 1	[15–0]
BRS1	3A	Block repeat save 1	[15–0]
CSR	3B	Computed single repeat	[15–0]
RSA0H	3C	Repeat start address 0	[23–16]
RSA0L	3D		[15–0]
REA0H	3E	Repeat end address 0	[23–16]
REA0L	3F		[15–0]
RSA1H	40	Repeat start address 1	[23–16]
RSA1L	41		[15–0]
REA1H	42	Repeat end address 1	[23–16]
REA1L	43		[15–0]
RPTC	44	Repeat counter	[15–0]
IER1	45	Interrupt enable register 1	[15–0]
IFR1	46	Interrupt flag register 1	[15–0]
DBIER0	47	Debug IER0	[15–0]
DBIER1	48	Debug IER1	[15–0]
IVPD	49	Interrupt vector pointer DSP	[15–0]
IVPH	4A	Interrupt vector pointer HOST	[15–0]
ST2_55	4B	Status register 2 for C55x	[15–0]
SSP	4C	System stack pointer	[15–0]
SP	4D	User stack pointer	[15–0]
SPH	4E	Extended data page pointer for the SP and the SSP	[6–0]
CDPH	4F	Main data page pointer for the CDP	[6–0]

3.11 Peripheral Register Description

Each 5507 device has a set of memory-mapped registers associated with peripherals as listed in [Table 3-20](#) through [Table 3-35](#). Some registers use less than 16 bits. When reading these registers, unused bits are always read as 0.

NOTE

The CPU access latency to the peripheral memory-mapped registers is 6 CPU cycles. Following peripheral register update(s), the CPU must wait at least 6 CPU cycles before attempting to use that peripheral. When more than one peripheral register is updated in a sequence, the CPU only needs to wait following the final register write. For example, if the EMIF is being reconfigured, the CPU must wait until the very last EMIF register update takes effect before trying to access the external memory. The users should consult the respective peripheral user's guide to determine if a peripheral requires additional time to initialize itself to the new configuration after the register updates take effect.

Before reading or writing to the USB register, the USB module has to be brought out of reset by setting bit 2 of the USB Idle Control and Status Register.

Table 3-20. Idle Control, Status, and System Registers

WORD ADDRESS	REGISTER NAME	DESCRIPTION	RESET VALUE ⁽¹⁾
0x0001	ICR[7:0]	Idle control register	xxxx xxxx 0000 0100
0x0002	ISTR[7:0]	Idle status register	xxxx xxxx 0000 0000
0x07FD	SYSR[15:0]	System register	0000 0000 0000 0000

(1) Hardware reset; x denotes a "don't care".

Table 3-21. External Memory Interface Registers

WORD ADDRESS	REGISTER NAME	DESCRIPTION	RESET VALUE ⁽¹⁾
0x0800	EGCR[15:0]	EMIF global control register	xxxx xxxx 0010 xx00
0x0801	EMI_RST	EMIF global reset register	xxxx xxxx xxxx xxxx
0x0802	EMI_BE[13:0]	EMIF bus error status register	xx00 0000 0000 0000
0x0803	CE0_1[14:0]	EMIF CE0 space control register 1	x010 1111 1111 1111
0x0804	CE0_2[15:0]	EMIF CE0 space control register 2	0100 1111 1111 1111
0x0805	CE0_3[7:0]	EMIF CE0 space control register 3	xxxx xxxx 0000 0000
0x0806	CE1_1[14:0]	EMIF CE1 space control register 1	x010 1111 1111 1111
0x0807	CE1_2[15:0]	EMIF CE1 space control register 2	0100 1111 1111 1111
0x0808	CE1_3[7:0]	EMIF CE1 space control register 3	xxxx xxxx 0000 0000
0x0809	CE2_1[14:0]	EMIF CE2 space control register 1	x010 1111 1111 1111
0x080A	CE2_2[15:0]	EMIF CE2 space control register 2	0101 1111 1111 1111
0x080B	CE2_3[7:0]	EMIF CE2 space control register 3	xxxx xxxx 0000 0000
0x080C	CE3_1[14:0]	EMIF CE3 space control register 1	x010 1111 1111 1111
0x080D	CE3_2[15:0]	EMIF CE3 space control register 2	0101 1111 1111 1111
0x080E	CE3_3[7:0]	EMIF CE3 space control register 3	xxxx xxxx 0000 0000
0x080F	SDC1[15:0]	EMIF SDRAM control register 1	1111 1001 0100 1000
0x0810	SDPER[11:0]	EMIF SDRAM period register	xxxx 0000 1000 0000
0x0811	SDCNT[11:0]	EMIF SDRAM counter register	xxxx 0000 1000 0000
0x0812	INIT	EMIF SDRAM init register	xxxx xxxx xxxx xxxx
0x0813	SDC2[9:0]	EMIF SDRAM control register 2	xxxx xx11 1111 1111
0x0814	SDC3	EMIF SDRAM control register 3	0000 0000 0000 0111

(1) Hardware reset; x denotes a "don't care."

Table 3-22. DMA Configuration Registers

PORT ADDRESS (WORD)	REGISTER NAME	DESCRIPTION	RESET VALUE ⁽¹⁾
GLOBAL REGISTER			
0x0E00	DMA_GCR[2:0]	DMA global control register	xxxx xxxx xxxx x000
0x0E02	DMA_GSCR	DMA software compatibility register	
0x0E03	DMA_GTCR	DMA timeout control register	
CHANNEL #0 REGISTERS			
0x0C00	DMA_CSDP0	DMA channel 0 source destination parameters register	0000 0000 0000 0000
0x0C01	DMA_CCR0[15:0]	DMA channel 0 control register	0000 0000 0000 0000
0x0C02	DMA_CICR0[5:0]	DMA channel 0 interrupt control register	xxxx xxxx xx00 0011
0x0C03	DMA_CSR0[6:0]	DMA channel 0 status register	xxxx xxxx xx00 0000
0x0C04	DMA_CSSA_L0	DMA channel 0 source start address register (lower bits)	Undefined
0x0C05	DMA_CSSA_U0	DMA channel 0 source start address register (upper bits)	Undefined
0x0C06	DMA_CDSA_L0	DMA channel 0 source destination address register (lower bits)	Undefined
0x0C07	DMA_CDSA_U0	DMA channel 0 Source destination address register (upper bits)	Undefined
0x0C08	DMA_CEN0	DMA channel 0 element number register	Undefined
0x0C09	DMA_CFN0	DMA channel 0 frame number register	Undefined
0x0C0A	DMA_CSF10	DMA channel 0 source frame index register	Undefined
0x0C0B	DMA_CSE10	DMA channel 0 source element index register	Undefined
0x0C0C	DMA_CSAC0	DMA channel 0 source address counter	Undefined
0x0C0D	DMA_CDAC0	DMA channel 0 destination address counter	Undefined
0x0C0E	DMA_CDE10	DMA channel 0 destination element index register	Undefined
0x0C0F	DMA_CDF10	DMA channel 0 destination frame index register	Undefined
CHANNEL #1 REGISTERS			
0x0C20	DMA_CSDP1	DMA channel 1 source destination parameters register	0000 0000 0000 0000
0x0C21	DMA_CCR1[15:0]	DMA channel 1 control register	0000 0000 0000 0000
0x0C22	DMA_CICR1[5:0]	DMA channel 1 interrupt control register	xxxx xxxx xx00 0011
0x0C23	DMA_CSR1[6:0]	DMA channel 1 status register	xxxx xxxx xx00 0000
0x0C24	DMA_CSSA_L1	DMA channel 1 source start address register (lower bits)	Undefined
0x0C25	DMA_CSSA_U1	DMA channel 1 source start address register (upper bits)	Undefined
0x0C26	DMA_CDSA_L1	DMA channel 1 source destination address register (lower bits)	Undefined
0x0C27	DMA_CDSA_U1	DMA channel 1 source destination address register (upper bits)	Undefined
0x0C28	DMA_CEN1	DMA channel 1 element number register	Undefined
0x0C29	DMA_CFN1	DMA channel 1 frame number register	Undefined
0x0C2A	DMA_CSF11	DMA channel 1 source frame index register	Undefined
0x0C2B	DMA_CSE11	DMA channel 1 source element index register	Undefined
0x0C2C	DMA_CSAC1	DMA channel 1 source address counter	Undefined
0x0C2D	DMA_CDAC1	DMA channel 1 destination address counter	Undefined
0x0C2E	DMA_CDE11	DMA channel 1 destination element index register	Undefined
0x0C2F	DMA_CDF11	DMA channel 1 destination frame index register	Undefined
CHANNEL #2 REGISTERS			
0x0C40	DMA_CSDP2	DMA channel 2 source destination parameters register	0000 0000 0000 0000
0x0C41	DMA_CCR2[15:0]	DMA channel 2 control register	0000 0000 0000 0000
0x0C42	DMA_CICR2[5:0]	DMA channel 2 interrupt control register	xxxx xxxx xx00 0011

(1) Hardware reset: x denotes a “don't care.”

Table 3-22. DMA Configuration Registers (continued)

PORT ADDRESS (WORD)	REGISTER NAME	DESCRIPTION	RESET VALUE ⁽¹⁾
0x0C43	DMA_CSR2[6:0]	DMA channel 2 status register	xxxx xxxx xx00 0000
0x0C44	DMA_CSSA_L2	DMA channel 2 source start address register (lower bits)	Undefined
0x0C45	DMA_CSSA_U2	DMA channel 2 source start address register (upper bits)	Undefined
0x0C46	DMA_CDSA_L2	DMA channel 2 source destination address register (lower bits)	Undefined
0x0C47	DMA_CDSA_U2	DMA channel 2 source destination address register (upper bits)	Undefined
0x0C48	DMA_CEN2	DMA channel 2 element number register	Undefined
0x0C49	DMA_CFN2	DMA channel 2 frame number register	Undefined
0x0C4A	DMA_CSF12	DMA channel 2 source frame index register	Undefined
0x0C4B	DMA_CSEI2	DMA channel 2 source element index register	Undefined
0x0C4C	DMA_CSAC2	DMA channel 2 source address counter	Undefined
0x0C4D	DMA_CDAC2	DMA channel 2 destination address counter	Undefined
0x0C4E	DMA_CDEI2	DMA channel 2 destination element index register	Undefined
0x0C4F	DMA_CDFI2	DMA channel 2 destination frame index register	Undefined
CHANNEL #3 REGISTERS			
0x0C60	DMA_CSDP3	DMA channel 3 source destination parameters register	0000 0000 0000 0000
0x0C61	DMA_CCR3[15:0]	DMA channel 3 control register	0000 0000 0000 0000
0x0C62	DMA_CICR3[5:0]	DMA channel 3 interrupt control register	xxxx xxxx xx00 0011
0x0C63	DMA_CSR3[6:0]	DMA channel 3 status register	xxxx xxxx xx00 0000
0x0C64	DMA_CSSA_L3	DMA channel 3 source start address register (lower bits)	Undefined
0x0C65	DMA_CSSA_U3	DMA channel 3 source start address register (upper bits)	Undefined
0x0C66	DMA_CDSA_L3	DMA channel 3 source destination address register (lower bits)	Undefined
0x0C67	DMA_CDSA_U3	DMA channel 3 source destination address register (upper bits)	Undefined
0x0C68	DMA_CEN3	DMA channel 3 element number register	Undefined
0x0C69	DMA_CFN3	DMA channel 3 frame number register	Undefined
0x0C6A	DMA_CSF13	DMA channel 3 source frame index register	Undefined
0x0C6B	DMA_CSEI3	DMA channel 3 source element index register	Undefined
0x0C6C	DMA_CSAC3	DMA channel 3 source address counter	Undefined
0x0C6D	DMA_CDAC3	DMA channel 3 destination address counter	Undefined
0x0C6E	DMA_CDEI3	DMA channel 3 destination element index register	Undefined
0x0C6F	DMA_CDFI3	DMA channel 3 destination frame index register	Undefined
CHANNEL #4 REGISTERS			
0x0C80	DMA_CSDP4	DMA channel 4 source destination parameters register	0000 0000 0000 0000
0x0C81	DMA_CCR4[15:0]	DMA channel 4 control register	0000 0000 0000 0000
0x0C82	DMA_CICR4[5:0]	DMA channel 4 interrupt control register	xxxx xxxx xx00 0011
0x0C83	DMA_CSR4[6:0]	DMA channel 4 status register	xxxx xxxx xx00 0000
0x0C84	DMA_CSSA_L4	DMA channel 4 source start address register (lower bits)	Undefined
0x0C85	DMA_CSSA_U4	DMA channel 4 source start address register (upper bits)	Undefined
0x0C86	DMA_CDSA_L4	DMA channel 4 Source destination address register (lower bits)	Undefined
0x0C87	DMA_CDSA_U4	DMA channel 4 source destination address register (upper bits)	Undefined
0x0C88	DMA_CEN4	DMA channel 4 element number register	Undefined
0x0C89	DMA_CFN4	DMA channel 4 frame number register	Undefined
0x0C8A	DMA_CSF14	DMA channel 4 source frame index register	Undefined

Table 3-22. DMA Configuration Registers (continued)

PORT ADDRESS (WORD)	REGISTER NAME	DESCRIPTION	RESET VALUE ⁽¹⁾
0x0C8B	DMA_CSEI4	DMA channel 4 source element index register	Undefined
0x0C8C	DMA_CSAC4	DMA channel 4 source address counter	Undefined
0x0C8D	DMA_CDAC4	DMA channel 4 destination address counter	Undefined
0x0C8E	DMA_CDEI4	DMA channel 4 destination element index register	Undefined
0x0C8F	DMA_CDFI4	DMA channel 4 destination frame index register	Undefined
CHANNEL #5 REGISTERS			
0x0CA0	DMA_CSDP5	DMA channel 5 source destination parameters register	0000 0000 0000 0000
0x0CA1	DMA_CCR5[15:0]	DMA channel 5 control register	0000 0000 0000 0000
0x0CA2	DMA_CICR5[5:0]	DMA channel 5 interrupt control register	xxxx xxxx xx00 0011
0x0CA3	DMA_CSR5[6:0]	DMA channel 5 status register	xxxx xxxx xx00 0000
0x0CA4	DMA_CSSA_L5	DMA channel 5 source start address register (lower bits)	Undefined
0x0CA5	DMA_CSSA_U5	DMA channel 5 source start address register (upper bits)	Undefined
0x0CA6	DMA_CDSA_L5	DMA channel 5 source destination address register (lower bits)	Undefined
0x0CA7	DMA_CDSA_U5	DMA channel 5 source destination address register (upper bits)	Undefined
0x0CA8	DMA_CEN5	DMA channel 5 element number register	Undefined
0x0CA9	DMA_CFN5	DMA channel 5 frame number register	Undefined
0x0CAA	DMA_CSF15	DMA channel 5 source frame index register	Undefined
0x0CAB	DMA_CSEI5	DMA channel 5 source element index register	Undefined
0x0CAC	DMA_CSAC5	DMA channel 5 source address counter	Undefined
0x0CAD	DMA_CDAC5	DMA channel 5 destination address counter	Undefined
0x0CAE	DMA_CDEI5	DMA channel 5 destination element index register	Undefined
0x0CAF	DMA_CDFI5	DMA channel 5 destination frame index register	Undefined

Table 3-23. Real-Time Clock Registers

WORD ADDRESS	REGISTER NAME	DESCRIPTION	RESET VALUE ⁽¹⁾
0x1800	RTCSEC	Seconds register	0000 0000 0000 0000
0x1801	RTCSECA	Seconds alarm register	0000 0000 0000 0000
0x1802	RTCMIN	Minutes register	0000 0000 0000 0000
0x1803	RTCMINA	Minutes alarm register	0000 0000 0000 0000
0x1804	RTCHOUR	Hours register	0000 0000 0000 0000
0x1805	RTCHOURA	Hours alarm register	0000 0000 0000 0000
0x1806	RTCDAYW	Day of the week register	0000 0000 0000 0000
0x1807	RTCDAYM	Day of the month (date) register	0000 0000 0000 0000
0x1808	RTCMONTH	Month register	0000 0000 0000 0000
0x1809	RTCYEAR	Year register	0000 0000 0000 0000
0x180A	RTCPINTR	Periodic interrupt selection register	0000 0000 0000 0000
0x180B	RTCINTEN	Interrupt enable register	0000 0000 0000 0000
0x180C	RTCINTFL	Interrupt flag register	0000 0000 0000 0000
0x180D–0x1BFF		Reserved	0000 0000 0000 0000

(1) Hardware reset; x denotes a “don’t care.”

Table 3-24. Clock Generator

WORD ADDRESS	REGISTER NAME	DESCRIPTION	RESET VALUE ⁽¹⁾
0x1C00	CLKMD[14:0]	Clock mode register	0010 0000 0000 0010 DIV1 mode
0x1E00	USBDPLL[14:0] ⁽²⁾	USB DPLL control register	If non-USB boot mode: 0010 0000 0000 0110 DIV2 mode
			If USB boot mode: 0010 0010 0001 0011 PLL MULT4 mode
0x1E80	USBPLLSEL[2:0]	USB PLL selection register	0000 0000 0000 0100
0x1F00	USBAPLL[15:0]	USB APLL control register	0000 0000 0000 0000

(1) Hardware reset; x denotes a “don’t care.”

(2) DPLL is the power-up default USB clock source.

Table 3-25. Timers

WORD ADDRESS	REGISTER NAME	DESCRIPTION	RESET VALUE ⁽¹⁾
0x1000	TIM0[15:0]	Timer count register, timer #0	1111 1111 1111 1111
0x1001	PRD0[15:0]	Period register, timer #0	1111 1111 1111 1111
0x1002	TCR0[15:0]	Timer control register, timer #0	0000 0000 0001 0000
0x1003	PRSC0[15:0]	Timer prescaler register, timer #0	xxxx 0000 xxxx 0000
0x2400	TIM1[15:0]	Timer count register, timer #1	1111 1111 1111 1111
0x2401	PRD1[15:0]	Period register, timer #1	1111 1111 1111 1111
0x2402	TCR1[15:0]	Timer control register, timer #1	0000 0000 0001 0000
0x2403	PRSC1[15:0]	Timer prescaler register, timer #1	xxxx 0000 xxxx 0000

(1) Hardware reset; x denotes a “don’t care.”

Table 3-26. Multichannel Serial Port #0

PORT ADDRESS (WORD)	REGISTER NAME	DESCRIPTION	RESET VALUE ⁽¹⁾
0x2800	DRR2_0[15:0]	Data receive register 2, McBSP #0	0000 0000 0000 0000
0x2801	DRR1_0[15:0]	Data receive register 1, McBSP #0	0000 0000 0000 0000
0x2802	DXR2_0[15:0]	Data transmit register 2, McBSP #0	0000 0000 0000 0000
0x2803	DXR1_0[15:0]	Data transmit register 1, McBSP #0	0000 0000 0000 0000
0x2804	SPCR2_0[15:0]	Serial port control register 2, McBSP #0	0000 0000 0000 0000
0x2805	SPCR1_0[15:0]	Serial port control register 1, McBSP #0	0000 0000 0000 0000
0x2806	RCR2_0[15:0]	Receive control register 2, McBSP #0	0000 0000 0000 0000
0x2807	RCR1_0[15:0]	Receive control register 1, McBSP #0	0000 0000 0000 0000
0x2808	XCR2_0[15:0]	Transmit control register 2, McBSP #0	0000 0000 0000 0000
0x2809	XCR1_0[15:0]	Transmit control register 1, McBSP #0	0000 0000 0000 0000
0x280A	SRGR2_0[15:0]	Sample rate generator register 2, McBSP #0	0020 0000 0000 0000
0x280B	SRGR1_0[15:0]	Sample rate generator register 1, McBSP #0	0000 0000 0000 0001
0x280C	MCR2_0[15:0]	Multichannel control register 2, McBSP #0	0000 0000 0000 0000
0x280D	MCR1_0[15:0]	Multichannel control register 1, McBSP #0	0000 0000 0000 0000
0x280E	RCERA_0[15:0]	Receive channel enable register partition A, McBSP #0	0000 0000 0000 0000
0x280F	RCERB_0[15:0]	Receive channel enable register partition B, McBSP #0	0000 0000 0000 0000
0x2810	XCERA_0[15:0]	Transmit channel enable register partition A, McBSP #0	0000 0000 0000 0000

(1) Hardware reset; x denotes a “don’t care.”

Table 3-26. Multichannel Serial Port #0 (continued)

0x2811	XCERB_0[15:0]	Transmit channel enable register partition B, McBSP #0	0000 0000 0000 0000
0x2812	PCR0[15:0]	Pin control register, McBSP #0	0000 0000 0000 0000
0x2813	RCERC_0[15:0]	Receive channel enable register partition C, McBSP #0	0000 0000 0000 0000
0x2814	RCERD_0[15:0]	Receive channel enable register partition D, McBSP #0	0000 0000 0000 0000
0x2815	XCERC_0[15:0]	Transmit channel enable register partition C, McBSP #0	0000 0000 0000 0000
0x2816	XCERD_0[15:0]	Transmit channel enable register partition D, McBSP #0	0000 0000 0000 0000
0x2817	RCERE_0[15:0]	Receive channel enable register partition E, McBSP #0	0000 0000 0000 0000
0x2818	RCERF_0[15:0]	Receive channel enable register partition F, McBSP #0	0000 0000 0000 0000
0x2819	XCERE_0[15:0]	Transmit channel enable register partition E, McBSP #0	0000 0000 0000 0000
0x281A	XCERF_0[15:0]	Transmit channel enable register partition F, McBSP #0	0000 0000 0000 0000
0x281B	RCERG_0[15:0]	Receive channel enable register partition G, McBSP #0	0000 0000 0000 0000
0x281C	RCERH_0[15:0]	Receive channel enable register partition H, McBSP #0	0000 0000 0000 0000
0x281D	XCERG_0[15:0]	Transmit channel enable register partition G, McBSP #0	0000 0000 0000 0000
0x281E	XCERH_0[15:0]	Transmit channel enable register partition H, McBSP #0	0000 0000 0000 0000

Table 3-27. Multichannel Serial Port #1

PORT ADDRESS (WORD)	REGISTER NAME	DESCRIPTION	RESET VALUE ⁽¹⁾
0x2C00	DRR2_1[15:0]	Data receive register 2, McBSP #1	0000 0000 0000 0000
0x2C01	DRR1_1[15:0]	Data receive register 1, McBSP #1	0000 0000 0000 0000
0x2C02	DXR2_1[15:0]	Data transmit register 2, McBSP #1	0000 0000 0000 0000
0x2C03	DXR1_1[15:0]	Data transmit register 1, McBSP #1	0000 0000 0000 0000
0x2C04	SPCR2_1[15:0]	Serial port control register 2, McBSP #1	0000 0000 0000 0000
0x2C05	SPCR1_1[15:0]	Serial port control register 1, McBSP #1	0000 0000 0000 0000
0x2C06	RCR2_1[15:0]	Receive control register 2, McBSP #1	0000 0000 0000 0000
0x2C07	RCR1_1[15:0]	Receive control register 1, McBSP #1	0000 0000 0000 0000
0x2C08	XCR2_1[15:0]	Transmit control register 2, McBSP #1	0000 0000 0000 0000
0x2C09	XCR1_1[15:0]	Transmit control register 1, McBSP #1	0000 0000 0000 0000
0x2C0A	SRGR2_1[15:0]	Sample rate generator register 2, McBSP #1	0020 0000 0000 0000
0x2C0B	SRGR1_1[15:0]	Sample rate generator register 1, McBSP #1	0000 0000 0000 0001
0x2C0C	MCR2_1[15:0]	Multichannel control register 2, McBSP #1	0000 0000 0000 0000
0x2C0D	MCR1_1[15:0]	Multichannel control register 1, McBSP #1	0000 0000 0000 0000
0x2C0E	RCERA_1[15:0]	Receive channel enable register partition A, McBSP #1	0000 0000 0000 0000
0x2C0F	RCERB_1[15:0]	Receive channel enable register partition B, McBSP #1	0000 0000 0000 0000
0x2C10	XCERA_1[15:0]	Transmit channel enable register partition A, McBSP #1	0000 0000 0000 0000

(1) Hardware reset; x denotes a “don't care.”

Table 3-27. Multichannel Serial Port #1 (continued)

0x2C11	XCERB_1[15:0]	Transmit channel enable register partition B, McBSP #1	0000 0000 0000 0000
0x2C12	PCR1[15:0]	Pin control register, McBSP #1	0000 0000 0000 0000
0x2C13	RCERC_1[15:0]	Receive channel enable register partition C, McBSP #1	0000 0000 0000 0000
0x2C14	RCERD_1[15:0]	Receive channel enable register partition D, McBSP #1	0000 0000 0000 0000
0x2C15	XCERC_1[15:0]	Transmit channel enable register partition C, McBSP #1	0000 0000 0000 0000
0x2C16	XCERD_1[15:0]	Transmit channel enable register partition D, McBSP #1	0000 0000 0000 0000
0x2C17	RCERE_1[15:0]	Receive channel enable register partition E, McBSP #1	0000 0000 0000 0000
0x2C18	RCERF_1[15:0]	Receive channel enable register partition F, McBSP #1	0000 0000 0000 0000
0x2C19	XCERE_1[15:0]	Transmit channel enable register partition E, McBSP #1	0000 0000 0000 0000
0x2C1A	XCERF_1[15:0]	Transmit channel enable register partition F, McBSP #1	0000 0000 0000 0000
0x2C1B	RCERG_1[15:0]	Receive channel enable register partition G, McBSP #1	0000 0000 0000 0000
0x2C1C	RCERH_1[15:0]	Receive channel enable register partition H, McBSP #1	0000 0000 0000 0000
0x2C1D	XCERG_1[15:0]	Transmit channel enable register partition G, McBSP #1	0000 0000 0000 0000
0x2C1E	XCERH_1[15:0]	Transmit channel enable register partition H, McBSP #1	0000 0000 0000 0000

Table 3-28. Multichannel Serial Port #2

PORT ADDRESS (WORD)	REGISTER NAME	DESCRIPTION	RESET VALUE ⁽¹⁾
0x3000	DRR2_2[15:0]	Data receive register 2, McBSP #2	0000 0000 0000 0000
0x3001	DRR1_2[15:0]	Data receive register 1, McBSP #2	0000 0000 0000 0000
0x3002	DXR2_2[15:0]	Data transmit register 2, McBSP #2	0000 0000 0000 0000
0x3003	DXR1_2[15:0]	Data transmit register 1, McBSP #2	0000 0000 0000 0000
0x3004	SPCR2_2[15:0]	Serial port control register 2, McBSP #2	0000 0000 0000 0000
0x3005	SPCR1_2[15:0]	Serial port control register 1, McBSP #2	0000 0000 0000 0000
0x3006	RCR2_2[15:0]	Receive control register 2, McBSP #2	0000 0000 0000 0000
0x3007	RCR1_2[15:0]	Receive control register 1, McBSP #2	0000 0000 0000 0000
0x3008	XCR2_2[15:0]	Transmit control register 2, McBSP #2	0000 0000 0000 0000
0x3009	XCR1_2[15:0]	Transmit control register 1, McBSP #2	0000 0000 0000 0000
0x300A	SRGR2_2[15:0]	Sample rate generator register 2, McBSP #2	0020 0000 0000 0000
0x300B	SRGR1_2[15:0]	Sample rate generator register 1, McBSP #2	0000 0000 0000 0001
0x300C	MCR2_2[15:0]	Multichannel control register 2, McBSP #2	0000 0000 0000 0000
0x300D	MCR1_2[15:0]	Multichannel control register 1, McBSP #2	0000 0000 0000 0000
0x300E	RCERA_2[15:0]	Receive channel enable register partition A, McBSP #2	0000 0000 0000 0000
0x300F	RCERB_2[15:0]	Receive channel enable register partition B, McBSP #2	0000 0000 0000 0000
0x3010	XCERA_2[15:0]	Transmit channel enable register partition A, McBSP #2	0000 0000 0000 0000

(1) Hardware reset; x denotes a “don't care.”

Table 3-28. Multichannel Serial Port #2 (continued)

0x3011	XCERB_2[15:0]	Transmit channel enable register partition B, McBSP #2	0000 0000 0000 0000
0x3012	PCR2[15:0]	Pin control register, McBSP #2	0000 0000 0000 0000
0x3013	RCERC_2[15:0]	Receive channel enable register partition C, McBSP #2	0000 0000 0000 0000
0x3014	RCERD_2[15:0]	Receive channel enable register partition D, McBSP #2	0000 0000 0000 0000
0x3015	XCERC_2[15:0]	Transmit channel enable register partition C, McBSP #2	0000 0000 0000 0000
0x3016	XCERD_2[15:0]	Transmit channel enable register partition D, McBSP #2	0000 0000 0000 0000
0x3017	RCERE_2[15:0]	Receive channel enable register partition E, McBSP #2	0000 0000 0000 0000
0x3018	RCERF_2[15:0]	Receive channel enable register partition F, McBSP #2	0000 0000 0000 0000
0x3019	XCERE_2[15:0]	Transmit channel enable register partition E, McBSP #2	0000 0000 0000 0000
0x301A	XCERF_2[15:0]	Transmit channel enable register partition F, McBSP #2	0000 0000 0000 0000
0x301B	RCERG_2[15:0]	Receive channel enable register partition G, McBSP #2	0000 0000 0000 0000
0x301C	RCERH_2[15:0]	Receive channel enable register partition H, McBSP #2	0000 0000 0000 0000
0x301D	XCERG_2[15:0]	Transmit channel enable register partition G, McBSP #2	0000 0000 0000 0000
0x301E	XCERH_2[15:0]	Transmit channel enable register partition H, McBSP #2	0000 0000 0000 0000

Table 3-29. GPIO

WORD ADDRESS	REGISTER NAME	PIN	DESCRIPTION	RESET VALUE ⁽¹⁾
0x3400	IODIR[7:0]	GPIO[7:0]	General-purpose I/O direction register	0000 0000 0000 0000
0x3401	IODATA[7:0]	GPIO[7:0]	General-purpose I/O data register	0000 0000 xxxx xxxx
0x4400	AGPIOEN[15:0]	A[15:0]	Address/GPIO enable register	0000 0000 0000 0000
0x4401	AGPIODIR[15:0]	A[15:0]	Address/GPIO direction register	0000 0000 0000 0000
0x4402	AGPIODATA[15:0]	A[15:0]	Address/GPIO data register	xxxx xxxx xxxx xxxx
0x4403	EHPIGPIOEN[5:0]	GPIO[13:8]	EHPI/GPIO enable register	0000 0000 0000 0000
0x4404	EHPIGPIODIR[5:0]	GPIO[13:8]	EHPI/GPIO direction register	0000 0000 0000 0000
0x4405	EHPIGPIODATA[5:0]	GPIO[13:8]	EHPI/GPIO data register	0000 0000 00xx xxxx

(1) Hardware reset; x denotes a “don’t care.”

Table 3-30. Device Revision ID

WORD ADDRESS	REGISTER NAME	DESCRIPTION	VALUE ⁽¹⁾
0x3803	Rev ID[4:1]	Silicon revision identification	Rev. 1.0: xxxx xxxx xxx0 001x

(1) x denotes a “don’t care.”

Table 3-31. I²C Module Registers⁽¹⁾

WORD ADDRESS	REGISTER NAME	DESCRIPTION	RESET VALUE ⁽²⁾
--------------	---------------	-------------	----------------------------

(1) I²C protocol compatible, no fail-safe buffer.

(2) Hardware reset; x denotes a “don’t care.”

Table 3-31. I²C Module Registers ⁽¹⁾ (continued)

0x3C00	I2COAR[9:0] ⁽³⁾	I ² C own address register	0000 0000 0000 0000
0x3C01	I2CIER	I ² C interrupt enable register	0000 0000 0000 0000
0x3C02	I2CSTR	I ² C status register	0000 0001 0000 0000
0x3C03	I2CCLKL[15:0]	I ² C clock divider low register	0000 0000 0000 0000
0x3C04	I2CCLKH[15:0]	I ² C clock divider high register	0000 0000 0000 0000
0x3C05	I2CCNT[15:0]	I ² C data count	0000 0000 0000 0000
0x3C06	I2CDRR[7:0]	I ² C data receive register	0000 0000 0000 0000
0x3C07	I2CSAR[9:0]	I ² C slave address register	0000 0011 1111 1111
0x3C08	I2CDXR[7:0]	I ² C data transmit register	0000 0000 0000 0000
0x3C09	I2CMDR[14:0]	I ² C mode register	0000 0000 0000 0000
0x3C0A	I2CISRC	I ² C interrupt source register	0000 0000 0000 0000
0x3C0B	-	Reserved	
0x3C0C	I2CPSC	I ² C prescaler register	0000 0000 0000 0000
0x3C0D	-	Reserved	
0x3C0E	-	Reserved	
0x3C0F	I2CMDR2	I ² C mode register 2	0000 0000 0000 0000
-	I2CRSR	I ² C receive shift register (not accessible to the CPU)	
-	I2CXSR	I ² C transmit shift register (not accessible to the CPU)	

(3) This register must be set by the user. The user may program the I²C's own address to any value, as long as the value does not conflict with the I²C addresses of other components connected to the I²C bus.

Table 3-32. Watchdog Timer Registers

WORD ADDRESS	REGISTER NAME	DESCRIPTION	RESET VALUE ⁽¹⁾
0x4000	WDTIM[15:0]	WD timer counter register	1111 1111 1111 1111
0x4001	WDPRD[15:0]	WD timer period register	1111 1111 1111 1111
0x4002	WDTCR[13:0]	WD timer control register	0000 0011 1100 1111
0x4003	WDTCR2[15:0]	WD timer control register 2	0001 0000 0000 0000

(1) Hardware reset; x denotes a "don't care."

Table 3-33. USB Module Registers

WORD ADDRESS	REGISTER NAME	DESCRIPTION	RESET VALUE ⁽¹⁾ ⁽²⁾
DMA CONTEXTS			
0x5800	Reserved		
0x5808	DMAC_O1	Output endpoint 1 DMA context register	Undefined
0x5810	DMAC_O2	Output endpoint 2 DMA context register	Undefined
0x5818	DMAC_O3	Output endpoint 3 DMA context register	Undefined
0x5820	DMAC_O4	Output endpoint 4 DMA context register	Undefined
0x5828	DMAC_O5	Output endpoint 5 DMA context register	Undefined
0x5830	DMAC_O6	Output endpoint 6 DMA context register	Undefined
0x5838	DMAC_O7	Output endpoint 7 DMA context register	Undefined
0x5840	Reserved		
0x5848	DMAC_I1	Input endpoint 1 DMA context register	Undefined
0x5850	DMAC_I2	Input endpoint 2 DMA context register	Undefined
0x5858	DMAC_I3	Input endpoint 3 DMA context register	Undefined
0x5860	DMAC_I4	Input endpoint 4 DMA context register	Undefined

(1) Hardware reset; x denotes a "don't care."

(2) The USB module must be brought out of reset by setting bit 2 of the USB Idle Control and Status Register before any USB module register read or write attempt.

Table 3-33. USB Module Registers (continued)

0x5868	DMAC_I5	Input endpoint 5 DMA context register	Undefined
0x5870	DMAC_I6	Input endpoint 6 DMA context register	Undefined
0x5878	DMAC_I7	Input endpoint 7 DMA context register	Undefined
DATA BUFFER			
0x5880	Data Buffers	Contains X/Y data buffers for endpoints 1 – 7	Undefined
0x6680	OEB_0	Output endpoint 0 buffer	Undefined
0x66C0	IEB_0	Input endpoint 0 buffer	Undefined
0x6700	SUP_0	Setup packet for endpoint 0	Undefined
ENDPOINT DESCRIPTOR BLOCKS			
0x6708	OEDB_1	Output endpoint 1 descriptor register block	Undefined
0x6710	OEDB_2	Output endpoint 2 descriptor register block	Undefined
0x6718	OEDB_3	Output endpoint 3 descriptor register block	Undefined
0x6720	OEDB_4	Output endpoint 4 descriptor register block	Undefined
0x6728	OEDB_5	Output endpoint 5 descriptor register block	Undefined
0x6730	OEDB_6	Output endpoint 6 descriptor register block	Undefined
0x6738	OEDB_7	Output endpoint 7 descriptor register block	Undefined
0x6740	Reserved		
0x6748	IEDB_1	Input endpoint 1 descriptor register block	Undefined
0x6750	IEDB_2	Input endpoint 2 descriptor register block	Undefined
0x6758	IEDB_3	Input endpoint 3 descriptor register block	Undefined
0x6760	IEDB_4	Input endpoint 4 descriptor register block	Undefined
0x6768	IEDB_5	Input endpoint 5 descriptor register block	Undefined
0x6770	IEDB_6	Input endpoint 6 descriptor register block	Undefined
0x6778	IEDB_7	Input endpoint 7 descriptor register block	Undefined
CONTROL AND STATUS REGISTERS			
0x6780	IEPCNF_0	Input endpoint 0 configuration	xxxx xxxx 0000 0000
0x6781	IEPBCNT_0	Input endpoint 0 byte count	xxxx xxxx 1000 0000
0x6782	OEPDCF_0	Output endpoint 0 configuration	xxxx xxxx 0000 0000
0x6783	OEPBCNT_0	Output endpoint 0 byte count	xxxx xxxx 0000 0000
0x6784 - 0x6790	Reserved		
0x6791	GLOBCTL	Global control register	xxxx xxxx 0000 0000
0x6792	VECINT	Vector interrupt register	xxxx xxxx 0000 0000
0x6793	IEPINT	Input endpoint interrupt register	xxxx xxxx 0000 0000
0x6794	OEPINT	Output endpoint interrupt register	xxxx xxxx 0000 0000
0x6795	IDMARINT	Input DMA reload interrupt register	xxxx xxxx 0000 0000
0x6796	ODMARINT	Output DMA reload interrupt register	xxxx xxxx 0000 0000
0x6797	IDMAGINT	Input DMA go interrupt register	xxxx xxxx 0000 0000
0x6798	ODMAGINT	Output DMA go interrupt register	xxxx xxxx 0000 0000
0x6799	IDMAMSK	Input DMA interrupt mask register	xxxx xxxx 0000 0000
0x679A	ODMAMSK	Output DMA interrupt mask register	xxxx xxxx 0000 0000
0x679B	IEDBMSK	Input EDB interrupt mask register	xxxx xxxx 0000 0000
0x679C	OEDBMSK	Output EDB interrupt mask register	xxxx xxxx 0000 0000
0x67A0	HOSTCTL	Host DMA control register	xxxx xxxx xxxx x000
0x67A1	HOSTEP	Host DMA endpoint register	xxxx xxxx x000 0000
0x67A2	HOST	Host DMA status	xxxx xxxx xxxx x001
0x67F8	FNUML	Frame number low register	xxxx xxxx 0000 0000
0x67F9	FNUMH	Frame number high	xxxx xxxx xxxx x000
0x67FA	PSOFTMR	PreSOF interrupt timer register	xxxx xxxx 0000 0000

Table 3-33. USB Module Registers (continued)

0x67FC	USBCTL	USB control register	xxxx xxxx 0101 0000
0x67FD	USBMSK	USB interrupt mask register	xxxx xxxx 0000 0000
0x67FE	USBSTA	USB status register	xxxx xxxx 0000 0000
0x67FF	FUNADR	Function address register	xxxx xxxx x000 0000
0x7000	USBIDLECTL	USB idle control and status register	xxxx xxxx xxxx x000

Table 3-34. Analog-to-Digital Controller (ADC) Registers

WORD ADDRESS	REGISTER NAME	DESCRIPTION	RESET VALUE ⁽¹⁾
0x6800	ADCCTL[15:11]	ADC control register	0111 0000 0000 0000
0x6801	ADCDATA[15:0]	ADC data register	0111 0000 0000 0000
0x6802	ADCCLKDIV[15:0]	ADC function clock divider register	0000 0000 0000 1111
0x6803	ADCCLKCTL[8:0]	ADC clock control register	0000 0000 0000 0111

(1) Hardware reset; x denotes a “don’t care.”

Table 3-35. External Bus Selection Register

WORD ADDRESS	REGISTER NAME	DESCRIPTION	RESET VALUE ⁽¹⁾
0x6C00	EBSR[15:0]	External bus selection register	0000 0000 0000 0011 ⁽²⁾

(1) Hardware reset; x denotes a “don’t care.”

(2) The reset value is 0000 0000 0000 0001 if GPIO0 = 1; the value is 0000 0000 0000 0011 if GPIO0 = 0.

3.12 Interrupts

Vector-relative locations and priorities for all internal and external interrupts are shown in [Table 3-36](#).

Table 3-36. Interrupt Table

NAME	SOFTWARE (TRAP) EQUIVALENT	RELATIVE LOCATION ⁽¹⁾ (HEX BYTES)	PRIORITY	FUNCTION
RESET	SINT0	0	0	Reset (hardware and software)
NMI ⁽²⁾	SINT1	8	1	Nonmaskable interrupt
BERR	SINT24	C0	2	Bus error interrupt
INT0	SINT2	10	3	External interrupt #0
INT1	SINT16	80	4	External interrupt #1
INT2	SINT3	18	5	External interrupt #2
TINT0	SINT4	20	6	Timer #0 interrupt
RINT0	SINT5	28	7	McBSP #0 receive interrupt
XINT0	SINT17	88	8	McBSP #0 transmit interrupt
RINT1	SINT6	30	9	McBSP #1 receive interrupt
XINT1	SINT7	38	10	McBSP #1 transmit interrupt
USB	SINT8	40	11	USB interrupt
DMAC0	SINT18	90	12	DMA channel #0 interrupt
DMAC1	SINT9	48	13	DMA channel #1 interrupt
DSPINT	SINT10	50	14	Interrupt from host
INT3/WDTINT	SINT11	58	15	External interrupt #3 or watchdog timer interrupt

(1) Absolute addresses of the interrupt vector locations are determined by the contents of the IVPD and IVPH registers. Interrupt vectors for interrupts 0–15 and 24–31 are relative to IVPD. Interrupt vectors for interrupts 16–23 are relative to IVPH.

(2) The NMI pin is internally tied high. However, NMI interrupt vector can be used for SINT1 and Watchdog Timer Interrupt.

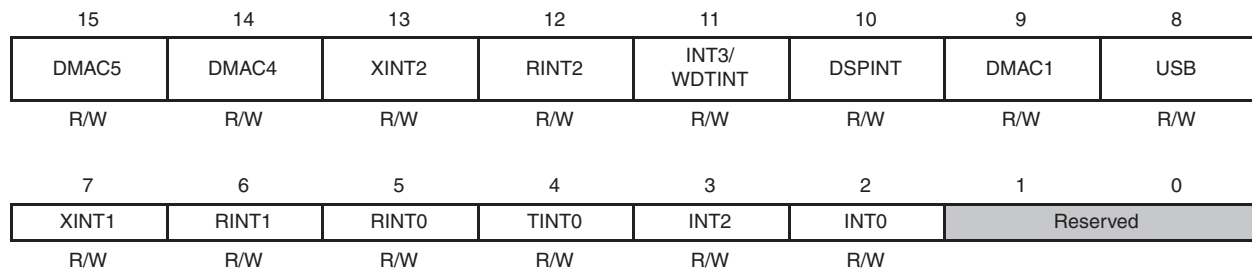
Table 3-36. Interrupt Table (continued)

INT4/RTC ⁽³⁾	SINT19	98	16	External interrupt #4 or RTC interrupt
RINT2	SINT12	60	17	McBSP #2 receive interrupt
XINT2	SINT13	68	18	McBSP #2 transmit interrupt
DMAC2	SINT20	A0	19	DMA Channel #2 interrupt
DMAC3	SINT21	A8	20	DMA Channel #3 interrupt
DMAC4	SINT14	70	21	DMA Channel #4 interrupt
DMAC5	SINT15	78	22	DMA Channel #5 interrupt
TINT1	SINT22	B0	23	Timer #1 interrupt
IIC	SINT23	B8	24	I ² C interrupt
DLOG	SINT25	C8	25	Data log interrupt
RTOS	SINT26	D0	26	Real-time operating system interrupt
-	SINT27	D8	27	Software interrupt #27
-	SINT28	E0	28	Software interrupt #28
-	SINT29	E8	29	Software interrupt #29
-	SINT30	F0	30	Software interrupt #30
-	SINT31	F8	31	Software interrupt #31

(3) It is recommended that either the INT4 or RTC interrupt be used. If both INT4 and RTC interrupts are used, one interrupt event can potentially hold off the other interrupt. For example, if INT4 is asserted first and held low, the RTC interrupt will not be recognized until the INT4 pin is back to high-logic state again. The INT4 pin must be pulled high if only the RTC interrupt is used.

3.12.1 IFR and IER Registers

The IFR0 (Interrupt Flag Register 0) and IER0 (Interrupt Enable Register 0) bit layouts are shown in Figure 3-19.



LEGEND: R = Read, W = Write, n = value after reset

Figure 3-19. IFR0 and IER0 Bit Locations

Table 3-37. IFR0 and IER0 Register Bit Fields

BIT		FUNCTION
NUMBER	NAME	
15	DMAC5	DMA channel 5 interrupt flag/mask bit
14	DMAC4	DMA channel 4 interrupt flag/mask bit
13	XINT2	This bit is used as the McBSP2 transmit interrupt flag/mask bit.
12	RINT2	McBSP2 receive interrupt flag/mask bit.
11	INT3/WDTINT	This bit is used as either the external user interrupt 3 flag/mask bit, or the watchdog timer interrupt flag/mask bit. ⁽¹⁾
10	DSPINT	HPI host-to-DSP interrupt flag/mask.
9	DMAC1	DMA channel 1 interrupt flag/mask bit
8	USB	USB interrupt flag/mask bit.

(1) It is possible to have active interrupts simultaneously from both the external INT3 source and the watchdog timer. When an interrupt is detected in this bit, the watchdog timer status register should be polled to determine if the watchdog timer is the interrupt source.

Table 3-37. IFR0 and IER0 Register Bit Fields (continued)

7	XINT1	This bit is used as the McBSP1 transmit interrupt flag/mask bit.
6	RINT1	McBSP1 receive interrupt flag/mask bit.
5	RINT0	McBSP0 receive interrupt flag bit
4	TINT0	Timer 0 interrupt flag bit
3	INT2	External interrupt 2 flag bit
2	INT0	External interrupt 0 flag bit
1-0	-	Reserved for future expansion. These bits should always be written with 0.

The IFR1 (Interrupt Flag Register 1) and IER1 (Interrupt Enable Register 1) bit layouts are shown in [Figure 3-20](#).

NOTE

It is possible to have active interrupts simultaneously from both the external interrupt 4 (INT4) and the real-time clock (RTC). When an interrupt is detected in this bit, the real-time clock status register should be polled to determine if the real-time clock is the source of the interrupt.

Reserved				RTOS	DLOG	BERR	
R/W-00000 *				R/W-0	R/W-0	R/W-0	
7	6	5	4	3	2	1	0
I2C	TINT1	DMAC3	DMAC2	INT4/RTC	DMAC0	XINT0	INT1
R/W-0	R/W-0	R/W-0	R/W-0	R/W-0	R/W-0	R/W-0	R/W-0

LEGEND: R = Read, W = Write, n = value after reset

* Always write zeros.

Figure 3-20. IFR1 and IER1 Bit Locations**Table 3-38. IFR1 and IER1 Register Bit Fields**

BIT		FUNCTION
NUMBER	NAME	
15-11	-	Reserved for future expansion. These bits should always be written with 0.
10	RTOS	Real-time operating system interrupt flag/mask bit
9	DLOG	Data log interrupt flag/mask bit
8	BERR	Bus error interrupt flag/mask bit
7	I2C	I ² C interrupt flag/mask bit
6	TINT1	Timer 1 interrupt flag/mask bit
5	DMAC3	DMA channel 3 interrupt flag/mask bit
4	DMAC2	DMA channel 2 interrupt flag/mask bit
3	INT4/RTC	This bit can be used as either the external user interrupt 4 flag/mask bit, or the real-time clock interrupt flag/mask bit.
2	DMAC0	DMA channel 0 interrupt flag/mask bit
1	XINT0	McBSP transmit 0 interrupt flag/mask bit
0	INT1	External user interrupt 1 flag/mask bit

3.12.2 Interrupt Timing

The external interrupts ($\overline{\text{INT}}[4:0]$) are synchronized to the CPU by way of a two-flip-flop synchronizer. The interrupt inputs are sampled on falling edges of the CPU clock. A sequence of 1-1-0-0 on consecutive cycles on the interrupt pin is required for an interrupt to be detected. Therefore, the minimum low pulse duration on the external interrupts on the 5507 is three CPU clock periods.

3.12.3 Waking Up From IDLE Condition

One of the following four events can wake up the CPU from IDLE:

- Hardware Reset
- External Interrupt
- RTC Interrupt
- USB Event (Reset or Resume)

3.12.3.1 Waking Up From IDLE With Oscillator Disabled

With an external interrupt, a RTC interrupt, or an USB resume/reset, the clock generation circuit wakes up the oscillator and enables the USB PLL to determine the oscillator stable time. In the case of the interrupt being disabled by clearing the associated bit in the Interrupt Enable Register (IERx), the CPU is not “woken up”. If the interrupt due to the wake-up event is enabled, the interrupt is sent to the CPU only after the oscillator is stabilized and the USB PLL is locked. If the external interrupt serves as the wake-up event, the interrupt line must stay low for a minimum of 3 CPU cycles after the oscillator is stabilized to wake up the CPU. Otherwise, only the clock domain will wake up and another external interrupt will be needed to wake up the CPU.

Once out of IDLE, any system not using the USB should put the USB module in idle mode to reduce power consumption.

For more details on the SM320VC5507 oscillator-disable process, see the Disabling the Internal Oscillator on the TMS320VC5507/5509/5509A DSP application report (literature number [SPRA078](#)).

3.12.4 Idling Clock Domain When External Parallel Bus Operating in EHPI Mode

The clock domain cannot be idled when the External Parallel Bus is operating in EHPI mode to ensure host access to the DSP memory. To work around this restriction, use the HIDL bit of the External Bus Selection Register (EBSR) with the CLKGENI bit of the Idle Control Register (ICR) to idle the clock domain.

4 Support

4.1 Notices Concerning JTAG (IEEE 1149.1) Boundary Scan Test Capability

4.1.1 Initialization Requirements for Boundary Scan Test

The SM320VC5507 uses the JTAG port for boundary scan tests, emulation capability and factory test purposes. To use boundary scan test, the EMU0 and EMU1/OFF pins must be held LOW through a rising edge of the TRST signal prior to the first scan. This operation selects the appropriate TAP control for boundary scan. If at any time during a boundary scan test a rising edge of TRST occurs when EMU0 or EMU1/OFF are not low, a factory test mode may be selected preventing boundary scan test from being completed. For this reason, it is recommended that EMU0 and EMU1/OFF be pulled or driven low at all times during boundary scan test.

4.1.2 Boundary Scan Description Language (BSDL) Model

BSDL models are available on the web in the TMS320VC5507 product folder under the “simulation models” section.

4.2 Documentation Support

Extensive documentation supports all TMS320™ DSP family of devices from product announcement through applications development. The following types of documentation are available to support the design and use of the TMS320C5000™ platform of DSPs:

- TMS320C55x™ DSP Functional Overview (literature number [SPRU312](#))
- Device-specific data sheets and data manuals
- Complete user’s guides
- Development support tools
- Hardware and software application reports

TMS320C55x reference documentation includes, but is not limited to, the following:

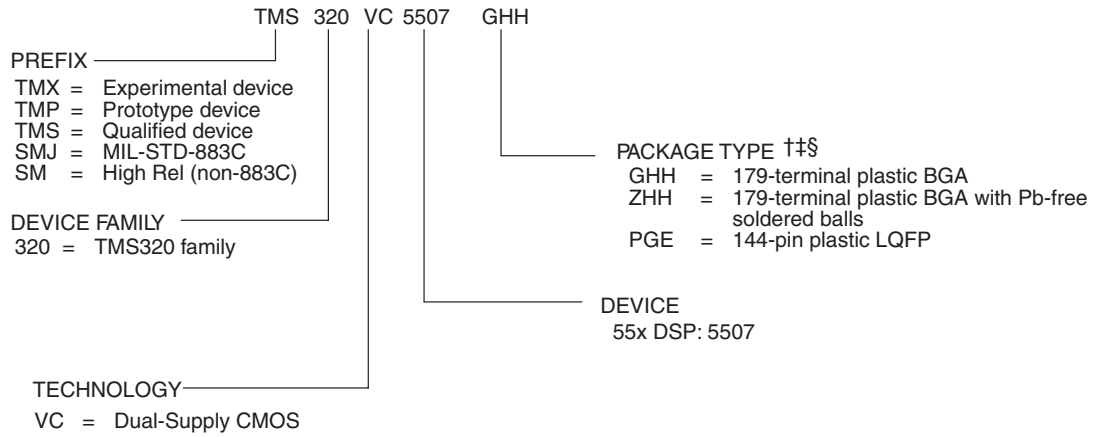
- TMS320C55x DSP CPU Reference Guide (literature number [SPRU371](#))
- TMS320C55x DSP Mnemonic Instruction Set Reference Guide (literature number [SPRU374](#))
- TMS320C55x DSP Algebraic Instruction Set Reference Guide (literature number [SPRU375](#))
- TMS320C55x DSP Programmer’s Guide (literature number [SPRU376](#))
- TMS320C55x DSP Peripherals Overview Reference Guide (literature number [SPRU317](#))
- TMS320C55x Optimizing C/C++ Compiler User’s Guide (literature number [SPRU281](#))
- TMS320C55x Assembly Language Tools User’s Guide (literature number [SPRU280](#))
- TMS320C55x DSP Library Programmer’s Reference (literature number [SPRU422](#))
- TMS320VC5507/5509 DSP Universal Serial Bus (USB) Module Reference Guide (literature number [SPRU596](#))
- Using the USB APLL on the TMS320VC5507/5509A Application Report (literature number [SPRA997](#))
- Using the TMS320VC5503/VC5507/VC5509/VC5509A Bootloader Application Report (literature number [SPRA375](#))
- Disabling the Internal Oscillator on the TMS320VC5507/5509/5509A DSP application report (literature number [SPRA078](#))
- Using the TMS320C5509/C5509A USB Bootloader Application Report (literature number [SPRA840](#))

The reference guides describe in detail the TMS320C55x™ DSP products currently available and the hardware and software applications, including algorithms, for fixed-point TMS320™ DSP family of devices.

A series of DSP textbooks is published by Prentice-Hall and John Wiley & Sons to support digital signal processing research and education. The TMS320™ DSP newsletter, Details on Signal Processing, is published quarterly and distributed to update TMS320™ DSP customers on product information.

Information regarding TI DSP products is also available on the Worldwide Web at <http://www.ti.com> uniform resource locator (URL).

4.3 TMS320VC5507 Device Nomenclature



† BGA = Ball Grid Array

LQFP = Low-Profile Quad Flatpack

‡ The ZHH mechanical package designator represents the version of the GHH with PbFree soldered balls. The ZHH package devices are supported in the same speed grades as the GHH package devices (available upon request).

§ For actual device part numbers (P/Ns) and ordering information, see the Mechanical Data section of this document or the TI website (www.ti.com).

Figure 4-1. Device Nomenclature for the TMS320VC5507

5 Electrical Specifications

This section provides the absolute maximum ratings and the recommended operating conditions for the SM320VC5507 DSP.

All electrical and switching characteristics in this data manual are valid over the recommended operating conditions unless otherwise specified.

The list of absolute maximum ratings are specified over operating case temperature. Stresses beyond those listed under “absolute maximum ratings” may cause permanent damage to the device. These are stress ratings only, and functional operation of the device at these or any other conditions beyond those indicated under [Section 5.2](#) is not implied. Exposure to absolute-maximum-rated conditions for extended periods may affect device reliability. All voltage values are with respect to V_{SS} . [Figure 5-1](#) provides the test load circuit values for a 3.3-V I/O.

5.1 ABSOLUTE MAXIMUM RATINGS

over operating free-air temperature range (unless otherwise noted)

		VALUE	UNIT
DV_{DD}	Supply voltage I/O range	–0.3 to 4.0	V
CV_{DD}	Supply voltage core range	–0.3 to 2.0	V
V_I	Input voltage range	–0.3 to 4.5	V
V_O	Output voltage range	–0.3 to 4.5	V
T_C	Operating case temperature range	–55 to 85	°C
T_{stg}	Storage temperature range	–55 to 150	°C

5.2 RECOMMENDED OPERATING CONDITIONS

5.2.1 Recommended Operating Conditions for $CV_{DD} = 1.2\text{ V}$ (108 MHz)

over operating free-air temperature range (unless otherwise noted)

		MIN	NOM	MAX	UNIT
CORE					
CV_{DD}	Device supply voltage	1.14	1.2	1.26	V
PERIPHERALS					
RCV_{DD}	RTC module supply voltage, core	1.14	1.2	1.26	V
RDV_{DD}	RTC module supply voltage, I/O (RTCINX1 and RTCINX2)	1.14	1.2	1.26	V
$USBPLL_{V_{DD}}$	USBPLL supply voltage ⁽¹⁾	1.14	1.2	1.26	V
$USB_{V_{DD}}$	USB module supply voltage, I/O (DP, DN, and PU)	3	3.3	3.6	V
DV_{DD}	Device supply voltage, I/O (except DP, DN, PU, SDA, SCL) ⁽²⁾	2.7	3.3	3.6	V
ADV_{DD}	A/D module digital supply voltage	2.7	3.3	3.6	V
AV_{DD}	A/D module analog supply voltage	2.7	3.3	3.6	V
GROUNDS					
V_{SS}	Supply voltage, GND, I/O, and core		0		V
ADV_{SS}	Supply voltage, GND, A/D module, digital		0		V
AV_{SS}	Supply voltage, GND, A/D module, analog		0		V
$USBPLL_{V_{SS}}$	Supply voltage, GND, USBPLL		0		V
V_{IH}	High-level input voltage, I/O	DN and DP ⁽³⁾	2		V
		SDA & SCL: V_{DD} related input levels ⁽²⁾	$0.7 \times DV_{DD}$	$DV_{DD}(\text{max}) + 0.5$	
		All other inputs (including hysteresis inputs)	2	$DV_{DD} + 0.3$	
V_{IL}	Low-level input voltage, I/O	DN and DP ⁽³⁾		0.8	V
		SDA & SCL: V_{DD} related input levels ⁽²⁾	-0.5	$0.3 \times DV_{DD}$	
		All other inputs (including hysteresis inputs)	-0.3	0.8	
V_{hys}	Hysteresis level	Inputs with hysteresis only		$0.1 \times DV_{DD}$	V
I_{OH}	High-level output current	DN and DP ⁽³⁾ ($V_{OH} = 2.45\text{ V}$)		-17	mA
		All other outputs		-4	
I_{OL}	Low-level output current	DN and DP ⁽³⁾ ($V_{OL} = 0.36\text{ V}$)	17		mA
		SDA and SCL ⁽²⁾		3	
		All other outputs		4	
T_C	Operating case temperature		-55	85	°C

- (1) USB PLL is susceptible to power supply ripple. The maximum allowable supply ripple is 1% for 1 Hz to 5 kHz; 1.5% for 5 kHz to 10 MHz; 3% for 10 MHz to 100 MHz, and less than 5% for 100 MHz or greater.
- (2) The I²C pins SDA and SCL do not feature fail-safe I/O buffers. These pins could potentially draw current when the device is powered down. Due to the fact that different voltage devices can be connected to the I²C bus, the level of logic 0 (low) and logic 1 (high) are not fixed and depends on the associated V_{DD} .
- (3) USB I/O pins DP and DN can tolerate a short circuit at D+ and D- to 0 V or 5 V, as long as the recommended series resistors (see [Figure 5-40](#)) are connected between the D+ and DP (package), and the D- and DN (package). Do not apply a short circuit to the USB I/O pins DP and DN in absence of the series resistors.

5.2.2 Recommended Operating Conditions for $CV_{DD} = 1.35\text{ V}$ (144 MHz)

over operating free-air temperature range (unless otherwise noted)

		MIN	NOM	MAX	UNIT
CORE					
CV_{DD}	Device supply voltage	1.28	1.35	1.42	V
PERIPHERALS					
RCV_{DD}	RTC module supply voltage, core	1.28	1.35	1.42	V
RDV_{DD}	RTC module supply voltage, I/O (RTCINX1 and RTCINX2)	1.28	1.35	1.42	V
$USBPLL_{V_{DD}}$	USBPLL supply voltage ⁽¹⁾	1.28	1.35	1.42	V
$USB_{V_{DD}}$	USB module supply voltage, I/O (DP, DN, and PU)	3	3.3	3.6	V
DV_{DD}	Device supply voltage, I/O (except DP, DN, PU, SDA, SCL) ⁽²⁾	2.7	3.3	3.6	V
ADV_{DD}	A/D module digital supply voltage	2.7	3.3	3.6	V
AV_{DD}	A/D module analog supply voltage	2.7	3.3	3.6	V
GROUNDS					
V_{SS}	Supply voltage, GND, I/O, and core		0		V
ADV_{SS}	Supply voltage, GND, A/D module, digital		0		V
AV_{SS}	Supply voltage, GND, A/D module, analog		0		V
$USBPLL_{V_{SS}}$	Supply voltage, GND, USBPLL		0		V
V_{IH}	High-level input voltage, I/O	DN and DP ⁽³⁾	2		V
		SDA & SCL: V_{DD} related input levels ⁽²⁾	$0.7 \times DV_{DD}$	$DV_{DD}(\text{max}) + 0.5$	
		All other inputs (including hysteresis inputs)	2	$DV_{DD} + 0.3$	
V_{IL}	Low-level input voltage, I/O	DN and DP ⁽³⁾		0.8	V
		SDA & SCL: V_{DD} related input levels ⁽²⁾	-0.5	$0.3 \times DV_{DD}$	
		All other inputs (including hysteresis inputs)	-0.3	0.8	
V_{hys}	Hysteresis level	Inputs with hysteresis only		$0.1 \times DV_{DD}$	V
I_{OH}	High-level output current	DN and DP ⁽³⁾ ($V_{OH} = 2.45\text{ V}$)		-17	mA
		All other outputs		-4	
I_{OL}	Low-level output current	DN and DP ⁽³⁾ ($V_{OL} = 0.36\text{ V}$)	17		mA
		SDA and SCL ⁽²⁾		3	
		All other outputs		4	
T_C	Operating case temperature	-55		85	°C

- (1) USB PLL is susceptible to power supply ripple. The maximum allowable supply ripple is 1% for 1 Hz to 5 kHz; 1.5% for 5 kHz to 10 MHz; 3% for 10 MHz to 100 MHz, and less than 5% for 100 MHz or greater.
- (2) The I²C pins SDA and SCL do not feature fail-safe I/O buffers. These pins could potentially draw current when the device is powered down. Due to the fact that different voltage devices can be connected to the I²C bus, the level of logic 0 (low) and logic 1 (high) are not fixed and depends on the associated V_{DD} .
- (3) USB I/O pins DP and DN can tolerate a short circuit at D+ and D- to 0 V or 5 V, as long as the recommended series resistors (see [Figure 5-40](#)) are connected between the D+ and DP (package), and the D- and DN (package). Do not apply a short circuit to the USB I/O pins DP and DN in absence of the series resistors.

5.2.3 Recommended Operating Conditions for $CV_{DD} = 1.6\text{ V}$ (200 MHz)

over operating free-air temperature range (unless otherwise noted)

		MIN	NOM	MAX	UNIT
CORE					
CV_{DD}	Device supply voltage	1.55	1.6	1.65	V
PERIPHERALS					
RCV_{DD}	RTC module supply voltage, core	1.55	1.6	1.65	V
RDV_{DD}	RTC module supply voltage, I/O (RTCINX1 and RTCINX2)	1.55	1.6	1.65	V
$USBPLL_{V_{DD}}$	USBPLL supply voltage ⁽¹⁾	1.55	1.6	1.65	V
$USB_{V_{DD}}$	USB module supply voltage, I/O (DP, DN, and PU)	3	3.3	3.6	V
DV_{DD}	Device supply voltage, I/O (except DP, DN, PU, SDA, SCL) ⁽²⁾	2.7	3.3	3.6	V
ADV_{DD}	A/D module digital supply voltage	2.7	3.3	3.6	V
AV_{DD}	A/D module analog supply voltage	2.7	3.3	3.6	V
GROUNDS					
V_{SS}	Supply voltage, GND, I/O, and core		0		V
ADV_{SS}	Supply voltage, GND, A/D module, digital		0		V
AV_{SS}	Supply voltage, GND, A/D module, analog		0		V
$USBPLL_{V_{SS}}$	Supply voltage, GND, USBPLL		0		V
V_{IH}	High-level input voltage, I/O	DN and DP ⁽³⁾	2		V
		SDA & SCL: V_{DD} related input levels ⁽²⁾	$0.7 \times DV_{DD}$	$DV_{DD}(\text{max}) + 0.5$	
		All other inputs (including hysteresis inputs)	2	$DV_{DD} + 0.3$	
V_{IL}	Low-level input voltage, I/O	DN and DP ⁽³⁾		0.8	V
		SDA & SCL: V_{DD} related input levels ⁽²⁾	-0.5	$0.3 \times DV_{DD}$	
		All other inputs (including hysteresis inputs)	-0.3	0.8	
V_{hys}	Hysteresis level	Inputs with hysteresis only		$0.1 \times DV_{DD}$	V
I_{OH}	High-level output current	DN and DP ⁽³⁾ ($V_{OH} = 2.45\text{ V}$)		-17	mA
		All other outputs		-4	
I_{OL}	Low-level output current	DN and DP ⁽³⁾ ($V_{OL} = 0.36\text{ V}$)	17		mA
		SDA and SCL ⁽²⁾		3	
		All other outputs		4	
T_C	Operating case temperature	-55		85	°C

- (1) USB PLL is susceptible to power supply ripple. The maximum allowable supply ripple is 1% for 1 Hz to 5 kHz; 1.5% for 5 kHz to 10 MHz; 3% for 10 MHz to 100 MHz, and less than 5% for 100 MHz or greater.
- (2) The I²C pins SDA and SCL do not feature fail-safe I/O buffers. These pins could potentially draw current when the device is powered down. Due to the fact that different voltage devices can be connected to the I²C bus, the level of logic 0 (low) and logic 1 (high) are not fixed and depends on the associated V_{DD} .
- (3) USB I/O pins DP and DN can tolerate a short circuit at D+ and D- to 0 V or 5 V, as long as the recommended series resistors (see [Figure 5-40](#)) are connected between the D+ and DP (package), and the D- and DN (package). Do not apply a short circuit to the USB I/O pins DP and DN in absence of the series resistors.

5.3 ELECTRICAL CHARACTERISTICS

5.3.1 Electrical Characteristics Over Recommended Operating Case Temperature Range for $CV_{DD} = 1.2\text{ V}$ (108 MHz) (Unless Otherwise Noted)

over operating free-air temperature range (unless otherwise noted)

PARAMETER		TEST CONDITIONS	MIN	TYP	MAX	UNIT
V_{OH}	High-level output voltage	DN and DP ⁽¹⁾	USBV _{DD} = 3.0 V-3.6 V, I _{OH} = -300 μ A	2.8		USBV _{DD}
		PU	USBV _{DD} = 3.0 V-3.6 V, I _{OH} = -300 μ A	0.9 x USBV _{DD}		USBV _{DD}
		All other outputs	DV _{DD} = 2.7 V-3.6 V, I _{OH} = MAX	0.75 x DV _{DD}		
V_{OL}	Low-level output voltage	SDA & SCL ⁽²⁾	At 3 mA sink current	0		0.4
		DN and DP ⁽¹⁾	I _{OL} = 3.0 mA			0.3
		All other outputs	I _{OL} = MAX			0.4
I_{IZ}	Input current for outputs in high-impedance	Output-only or I/O pins with bus keepers (enabled)	DV _{DD} = MAX, V _O = V _{SS} to DV _{DD}	-300		300
		All other output-only or I/O pins	DV _{DD} = MAX, V _O = V _{SS} to DV _{DD}	-5		5
I_I	Input current	Input pins with internal pulldown (enabled)	DV _{DD} = MAX, V _I = V _{SS} to DV _{DD}	30		300
		Input pins with internal pullup (enabled)	DV _{DD} = MAX, V _I = V _{SS} to DV _{DD}	-300		-30
		X2/CLKIN	DV _{DD} = MAX, V _I = V _{SS} to DV _{DD}	-50		50
		All other input-only pins	DV _{DD} = MAX, V _I = V _{SS} to DV _{DD}	-5		5
I_{DDC}	CV_{DD} supply current, CPU + internal memory access ⁽³⁾			0.45		mA/MHz
I_{DDP}	DV _{DD} supply current, pins active ⁽⁴⁾			5.5		mA
I_{DDC}	CV_{DD} supply current, standby ⁽⁵⁾	Oscillator disabled. All domains in low-power state	$CV_{DD} = 1.2\text{ V}$, $T_C = 25^\circ\text{C}$ (Nominal process)	100		μ A
I_{DDP}	DV _{DD} supply current, standby	Oscillator disabled. All domains in low-power state.	DV _{DD} = 3.3 V, No I/O activity, $T_C = 25^\circ\text{C}$	10		μ A
C_i	Input capacitance			3		pF
C_o	Output capacitance			3		pF

- (1) USB I/O pins DP and DN can tolerate a short circuit at D+ and D- to 0 V or 5 V, as long as the recommended series resistors (see [Figure 5-40](#)) are connected between the D+ and DP (package), and the D- and DN (package). Do not apply a short circuit to the USB I/O pins DP and DN in absence of the series resistors.
- (2) The I²C pins SDA and SCL do not feature fail-safe I/O buffers. These pins could potentially draw current when the device is powered down.
- (3) CPU executing 75% Dual MAC + 25% ADD with moderate data bus activity (table of sine values). CPU and CLKGEN (DPLL) domain are active. All other domains are idled.
- (4) One word of a table of a 16-bit sine value is written to the EMIF every 250 ns (64 Mbps). Each EMIF output pin is connected to a 10-pF load.
- (5) In CLKGEN domain idle mode, X2/CLKIN becomes output and is driven low to stop external crystals (if used) from oscillating. Standby current will be higher if an external clock source tries to drive the X2/CLKIN pin during this time.

5.3.2 Electrical Characteristics Over Recommended Operating Case Temperature Range for $CV_{DD} = 1.35\text{ V}$ (144 MHz) (Unless Otherwise Noted)

over operating free-air temperature range (unless otherwise noted)

PARAMETER		TEST CONDITIONS	MIN	TYP	MAX	UNIT
V_{OH}	High-level output voltage	DN and DP ⁽¹⁾	USBV _{DD} = 3.0 V-3.6 V, I _{OH} = -300 μ A	2.8		USBV _{DD}
		PU	USBV _{DD} = 3.0 V-3.6 V, I _{OH} = -300 μ A	0.9 x USBV _{DD}		USBV _{DD}
		All other outputs	DV _{DD} = 2.7 V-3.6 V, I _{OH} = MAX	0.75 x DV _{DD}		
V_{OL}	Low-level output voltage	SDA & SCL ⁽²⁾	At 3 mA sink current	0		0.4
		DN and DP ⁽¹⁾	I _{OL} = 3.0 mA			0.3
		All other outputs	I _{OL} = MAX			0.4
I_{IZ}	Input current for outputs in high-impedance	Output-only or I/O pins with bus keepers (enabled)	DV _{DD} = MAX, V _O = V _{SS} to DV _{DD}	-300		300
		All other output-only or I/O pins	DV _{DD} = MAX, V _O = V _{SS} to DV _{DD}	-5		5
I_I	Input current	Input pins with internal pulldown (enabled)	DV _{DD} = MAX, V _I = V _{SS} to DV _{DD}	30		300
		Input pins with internal pullup (enabled)	DV _{DD} = MAX, V _I = V _{SS} to DV _{DD}	-300		-30
		X2/CLKIN	DV _{DD} = MAX, V _I = V _{SS} to DV _{DD}	-50		50
		All other input-only pins	DV _{DD} = MAX, V _I = V _{SS} to DV _{DD}	-5		5
I_{DCC}	CV _{DD} Supply current, CPU + internal memory access ⁽³⁾		CV _{DD} = 1.35 V, CPU clock = 144 MHz, T _C = 25°C	0.51		mA/MHz
I_{DDP}	DV _{DD} supply current, pins active ⁽⁴⁾		DV _{DD} = 3.3 V, CPU clock = 144 MHz, T _C = 25°C	5.5		mA
I_{DCC}	CV _{DD} supply current, standby ⁽⁵⁾	Oscillator disabled. All domains in low-power state	CV _{DD} = 1.35 V, T _C = 25°C (Nominal process)	125		μ A
I_{DDP}	DV _{DD} supply current, standby	Oscillator disabled. All domains in low-power state.	DV _{DD} = 3.3 V, No I/O activity, T _C = 25°C	10		μ A
C_i	Input capacitance			3		pF
C_o	Output capacitance			3		pF

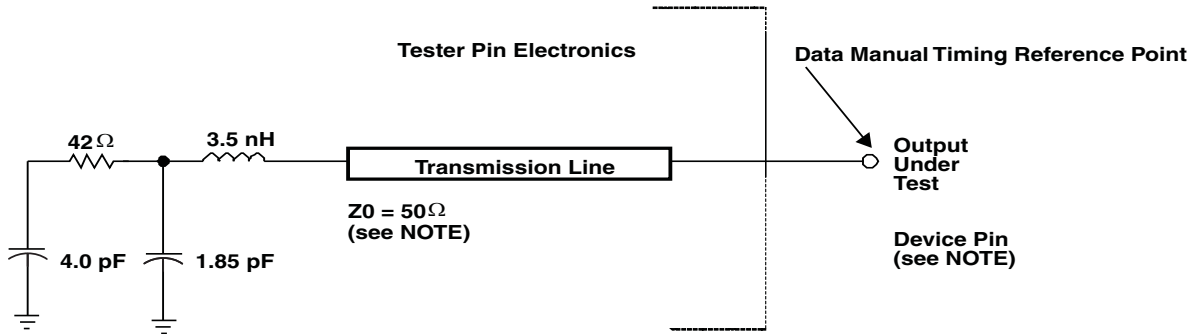
- USB I/O pins DP and DN can tolerate a short circuit at D+ and D- to 0 V or 5 V, as long as the recommended series resistors (see Figure 5-40) are connected between the D+ and DP (package), and the D- and DN (package). Do not apply a short circuit to the USB I/O pins DP and DN in absence of the series resistors.
- The I²C pins SDA and SCL do not feature fail-safe I/O buffers. These pins could potentially draw current when the device is powered down.
- CPU executing 75% Dual MAC + 25% ADD with moderate data bus activity (table of sine values). CPU and CLKGEN (DPLL) domain are active. All other domains are idled.
- One word of a table of a 16-bit sine value is written to the EMIF every 250 ns (64 Mbps). Each EMIF output pin is connected to a 10-pF load.
- In CLKGEN domain idle mode, X2/CLKIN becomes output and is driven low to stop external crystals (if used) from oscillating. Standby current will be higher if an external clock source tries to drive the X2/CLKIN pin during this time.

5.3.3 Electrical Characteristics Over Recommended Operating Case Temperature Range for $CV_{DD} = 1.6\text{ V}$ (200 MHz) (Unless Otherwise Noted)

over operating free-air temperature range (unless otherwise noted)

PARAMETER		TEST CONDITIONS	MIN	TYP	MAX	UNIT	
V_{OH}	High-level output voltage	DN and DP ⁽¹⁾	USBV _{DD} = 3.0 V-3.6 V, I _{OH} = -300 μ A	2.8		USBV _{DD}	V
		PU	USBV _{DD} = 3.0 V-3.6 V, I _{OH} = -300 μ A	0.9 x USBV _{DD}		USBV _{DD}	
		All other outputs	DV _{DD} = 2.7 V-3.6 V, I _{OH} = MAX	0.75 x DV _{DD}			
V_{OL}	Low-level output voltage	SDA & SCL ⁽²⁾	At 3 mA sink current	0		0.4	V
		DN and DP ⁽¹⁾	I _{OL} = 3.0 mA			0.3	
		All other outputs	I _{OL} = MAX			0.4	
I_{IZ}	Input current for outputs in high-impedance	Output-only or I/O pins with bus keepers (enabled)	DV _{DD} = MAX, V _O = V _{SS} to DV _{DD}	-300		300	μ A
		All other output-only or I/O pins	DV _{DD} = MAX, V _O = V _{SS} to DV _{DD}	-5		5	
I_I	Input current	Input pins with internal pulldown (enabled)	DV _{DD} = MAX, V _I = V _{SS} to DV _{DD}	30		300	μ A
		Input pins with internal pullup (enabled)	DV _{DD} = MAX, V _I = V _{SS} to DV _{DD}	-300		-30	
		X2/CLKIN	DV _{DD} = MAX, V _I = V _{SS} to DV _{DD}	-50		50	
		All other input-only pins	DV _{DD} = MAX, V _I = V _{SS} to DV _{DD}	-5		5	
I_{DCC}	CV _{DD} Supply current, CPU + internal memory access ⁽³⁾		CV _{DD} = 1.6 V, CPU clock = 200 MHz, T _C = 25°C		0.6		mA/MHz
I_{DDP}	DV _{DD} supply current, pins active ⁽⁴⁾		DV _{DD} = 3.3 V, CPU clock = 200 MHz, T _C = 25°C		5.5		mA
I_{DCC}	CV _{DD} supply current, standby ⁽⁵⁾	Oscillator disabled. All domains in low-power state	CV _{DD} = 1.6 V, T _C = 25°C (Nominal process)		150		μ A
I_{DDP}	DV _{DD} supply current, standby	Oscillator disabled. All domains in low-power state.	DV _{DD} = 3.3 V, No I/O activity, T _C = 25°C		10		μ A
C_i	Input capacitance				3		pF
C_o	Output capacitance				3		pF

- (1) USB I/O pins DP and DN can tolerate a short circuit at D+ and D- to 0 V or 5 V, as long as the recommended series resistors (see [Figure 5-40](#)) are connected between the D+ and DP (package), and the D- and DN (package). Do not apply a short circuit to the USB I/O pins DP and DN in absence of the series resistors.
- (2) The I²C pins SDA and SCL do not feature fail-safe I/O buffers. These pins could potentially draw current when the device is powered down.
- (3) CPU executing 75% Dual MAC + 25% ADD with moderate data bus activity (table of sine values). CPU and CLKGEN (DPLL) domain are active. All other domains are idled.
- (4) One word of a table of a 16-bit sine value is written to the EMIF every 250 ns (64 Mbps). Each EMIF output pin is connected to a 10-pF load.
- (5) In CLKGEN domain idle mode, X2/CLKIN becomes output and is driven low to stop external crystals (if used) from oscillating. Standby current will be higher if an external clock source tries to drive the X2/CLKIN pin during this time.



NOTE: The data manual provides timing at the device pin. For output timing analysis, the tester pin electronics and its transmission line effects must be taken into account. A transmission line with a delay of 2 ns or longer can be used to produce the desired transmission line effect. The transmission line is intended as a load only. It is not necessary to add or subtract the transmission line delay (2 ns or longer) from the data manual timings.

Input requirements in this data manual are tested with an input slew rate of < 4 Volts per nanosecond (4 V/ns) at the device pin.

Figure 5-1. 3.3-V Test Load Circuit

5.4 ESD Performance

ESD stress levels were performed in compliance with the following JEDEC standards with the results indicated below:

- Charged Device Model (CDM), based on JEDEC Specification JESD22-C101, passed at ±500 V
- Human Body Model (HBM), based on JEDEC Specification JESD22-A114, passed at ±1500 V

NOTE

According to industry research publications, ESD-CDM testing results show better correlation to manufacturing line and field failure rates than ESD-HBM testing. 500-V CDM is commonly considered as a safe passing level.

5.5 Timing Parameter Symbology

Timing parameter symbols used in the timing requirements and switching characteristics tables are created in accordance with JEDEC Standard 100. To shorten the symbols, some of the pin names and other related terminology have been abbreviated as follows:

Lowercase Subscripts and Their Meanings		Letters and Symbols and Their Meanings	
a	access time	H	High
c	cycle time (period)	L	Low
d	delay time	V	Valid
dis	disable time	Z	High-impedance
en	enable time		
f	fall time		
h	hold time		
r	rise time		
su	setup time		
t	transition time		
v	valid time		
w	pulse duration (width)		
x	unknown, changing or don't care level		

5.6 Clock Options

The frequency of the reference clock provided at the X2/CLKIN pin can be divided by a factor of two or four or multiplied by one of several values to generate the internal machine cycle.

5.6.1 Internal System Oscillator With External Crystal

The internal oscillator is always enabled following a device reset. The oscillator requires an external crystal connected across the X1 and X2/CLKIN pins. If the internal oscillator is not used, an external clock source must be applied to the X2/CLKIN pin and the X1 pin should be left unconnected. Since the internal oscillator can be used as a clock source to the PLLs, the crystal oscillation frequency can be multiplied to generate the CPU clock and USB clock, if desired.

The crystal should be in fundamental-mode operation, and parallel resonant, with a maximum effective series resistance (ESR) specified in [Table 5-1](#). The connection of the required circuit is shown in [Figure 5-2](#). Under some conditions, all the components shown are not required. The capacitors, C₁ and C₂, should be chosen such that [Equation 2](#) below is satisfied. C_L in [Equation 2](#) is the load specified for the crystal that is also specified in [Table 5-1](#).

$$C_L = \frac{C_1 C_2}{(C_1 + C_2)} \quad (2)$$

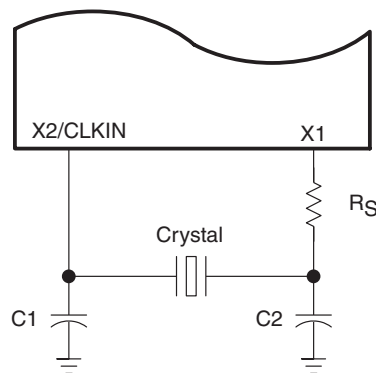


Figure 5-2. Internal System Oscillator With External Crystal

Table 5-1. Recommended Crystal Parameters

FREQUENCY RANGE (MHz)	MAX ESR (Ω)	TYP C _{LOAD} (pF)	MAX C _{SHUNT} (pF)	R _S (Ω)
20-15	20	10	7	0
15-12	30	16	7	0
12-10	40	16	7	100
10-8	60	18	7	470
8-6	80	18	7	1.5k
6-5	80	18	7	2.2k

Although the recommended ESR presented in [Table 5-1](#) is maximum, theoretically a crystal with a lower maximum ESR might seem to meet the requirement. It is recommended that crystals which meet the maximum ESR specification in [Table 5-1](#) are used.

5.6.2 Layout Considerations

Since parasitic capacitance, inductance and resistance can be significant in any circuit, good PC board layout

practices should always be observed when planning trace routing to the discrete components used in the oscillator circuit. Specifically, the crystal and the associated discrete components should be located as close to the DSP as physically possible. Also, X1 and X2/CLKIN traces should be separated as soon as possible after routing away from the DSP to minimize parasitic capacitance between them, and a ground trace should be run between these two signal lines. This also helps to minimize stray capacitance between these two signals.

5.6.3 Clock Generation in Bypass Mode (DPLL Disabled)

The frequency of the reference clock provided at the X2/CLKIN pin can be divided by a factor of one, two, or four to generate the internal CPU clock cycle. The divide factor (D) is set in the BYPASS_DIV field of the clock mode register. The contents of this field only affect clock generation while the device is in bypass mode. In this mode, the digital phase-locked loop (DPLL) clock synthesis is disabled.

Table 5-2 and Table 5-3 assume testing over recommended operating conditions and $H = 0.5t_{c(CO)}$ (see Figure 5-3).

Table 5-2. CLKIN Timing Requirements

NO.			CV _{DD} = 1.2 V CV _{DD} = 1.35 V		CV _{DD} = 1.6 V		UNIT
			MIN	MAX	MIN	MAX	
C1	t _{c(CI)}	Cycle time, X2/CLKIN	20	400 ⁽¹⁾	20	400 ⁽¹⁾	ns
C2	t _{f(CI)}	Fall time, X2/CLKIN		4		4	ns
C3	t _{r(CI)}	Rise time, X2/CLKIN		4		4	ns
C10	t _{w(CIL)}	Pulse duration, CLKIN low	6		6		ns
C11	t _{w(CIH)}	Pulse duration, CLKIN high	6		6		ns

(1) This device utilizes a fully static design and therefore can operate with t_{c(CI)} approaching ∞. If an external crystal is used, the X2/CLKIN cycle time is limited by the crystal frequency range listed in Table 5-1.

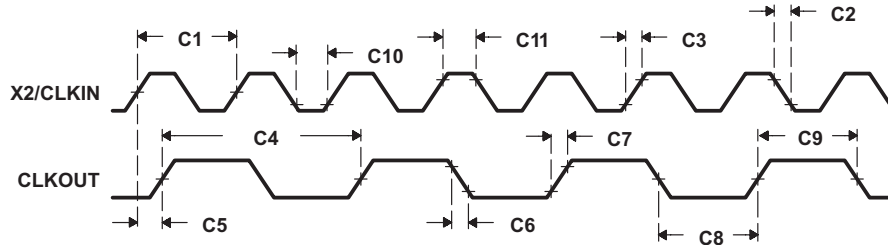
Table 5-3. CLKOUT Switching Characteristics

NO.			CV _{DD} = 1.2 V CV _{DD} = 1.35 V			CV _{DD} = 1.6 V			UNIT
			MIN	TYP	MAX	MIN	TYP	MAX	
C4	t _{c(CO)}	Cycle time, CLKOUT	20 ⁽¹⁾	D x t _{c(CI)} ⁽²⁾	1600 ⁽³⁾	20 ⁽¹⁾	D x t _{c(CI)} ⁽²⁾	1600 ⁽³⁾	ns
C5	t _{d(CI-CO)}	Delay time, X2/CLKIN high to CLKOUT high/low	5	15	25	5	15	25	ns
C6	t _{f(CO)}	Fall time, CLKOUT		1			1		ns
C7	t _{r(CO)}	Rise time, CLKOUT		1			1		ns
C8	t _{w(COL)}	Pulse duration, CLKOUT low	H - 1		H + 1	H - 1		H + 1	ns
C9	t _{w(COH)}	Pulse duration, CLKOUT high	H - 1		H + 1	H - 1		H + 1	ns

(1) It is recommended that the DPLL synthesized clocking option be used to obtain maximum operating frequency.

(2) $D = 1/(\text{PLL Bypass Divider})$

(3) This device utilizes a fully static design and therefore can operate with t_{c(CO)} approaching ∞. If an external crystal is used, the X2/CLKIN cycle time is limited by the crystal frequency range listed in Table 5-1.



NOTE A: The relationship of X2/CLKIN to CLKOUT depends on the PLL bypass divide factor chosen for the CLKMD register. The waveform relationship shown in Figure 53 is intended to illustrate the timing parameters based on CLKOUT = 1/2(CLKIN) configuration.

Figure 5-3. Bypass Mode Clock Timings

5.6.4 Clock Generation in Lock Mode (DPLL Synthesis Enabled)

The frequency of the reference clock provided at the X2/CLKIN pin can be multiplied by a synthesis factor of N to generate the internal CPU clock cycle. The synthesis factor is determined by:

$$N = \frac{M}{D_L} \tag{3}$$

Where:

1. M = the multiply factor set in the PLL_MULT field of the clock mode register
2. D_L = the divide factor set in the PLL_DIV field of the clock mode register

Valid values for M are (multiply by) 2 to 31. Valid values for DL are (divide by) 1, 2, 3, and 4.

For detailed information on clock generation configuration, see the TMS320C55x DSP Peripherals Overview Reference Guide (literature number [SPRU317](#)).

[Table 5-4](#) and [Table 5-5](#) assume testing over recommended operating conditions and H = 0.5t_{c(CO)} (see [Figure 5-4](#)).

Table 5-4. CLKIN Timing Requirements

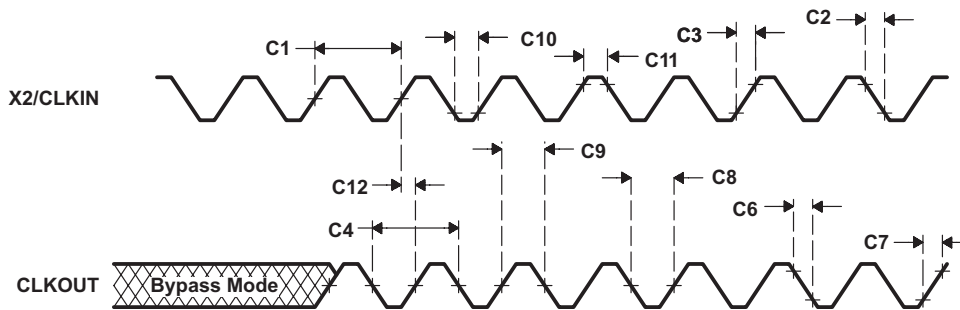
NO.			CV _{DD} = 1.2 V CV _{DD} = 1.35 V		CV _{DD} = 1.6 V		UNIT		
			MIN	MAX	MIN	MAX			
C1	t _{c(CI)}	Cycle time, X2/CLKIN	DPLL synthesis enabled		20 ⁽¹⁾	400	20 ⁽¹⁾	400	ns
C2	t _{f(CI)}	Fall time, X2/CLKIN			4		4		ns
C3	t _{r(CI)}	Rise time, X2/CLKIN			4		4		ns
C10	t _{w(CIL)}	Pulse duration, CLKIN low			6		6		ns
C11	t _{w(CIH)}	Pulse duration, CLKIN high			6		6		ns

(1) This device utilizes a fully static design and therefore can operate with t_{c(CI)} approaching ∞. If an external crystal is used, the X2/CLKIN cycle time is limited by the crystal frequency range listed in [Table 5-1](#).

Table 5-5. Multiply-By-N Clock Option Switching Characteristics

NO.		CV _{DD} = 1.2 V			CV _{DD} = 1.35 V			CV _{DD} = 1.6 V			UNIT
		MIN	TYP	MAX	MIN	TYP	MAX	MIN	TYP	MAX	
C4	t _{c(CO)} Cycle time, CLKOUT	9.26	t _{c(CL)} × N ⁽¹⁾	1600	6.95	t _{c(CL)} × N ⁽¹⁾	1600	5	t _{c(CL)} × N ⁽¹⁾	1600	ns
C6	t _{f(CO)} Fall time, CLKOUT		1			1			1		ns
C7	t _{r(CO)} Rise time, CLKOUT		1			1			1		ns
C8	t _{w(COL)} Pulse duration, CLKOUT low	H - 1		H + 1	H - 1		H + 1	H - 1		H + 1	ns
C9	t _{w(COH)} Pulse duration, CLKOUT high	H - 1		H + 1	H - 1		H + 1	H - 1		H + 1	ns
C12	t _{d(CL-CO)} Delay time, X2/CLKIN high/low to CLKOUT high/low	5	15	25	5	15	25	5	15	25	ns

(1) N = Clock frequency synthesis factor



NOTE A: The relationship of X2/CLKIN to CLKOUT depends on the PLL multiply and divide factor chosen for the CLKMD register. The waveform relationship shown in Figure 53 is intended to illustrate the timing parameters based on CLKOUT = 1xCLKIN configuration.

Figure 5-4. External Multiply-by-N Clock Timings

5.6.5 Real-Time Clock Oscillator With External Crystal

The real-time clock module includes an oscillator circuit. The oscillator requires an external 32.768-kHz crystal connected across the RTCINX1 and RTCINX2 pins. The connection of the required circuit, consisting of the crystal and two load capacitors, is shown in Figure 5-5. The load capacitors, C₁ and C₂, should be chosen such that Equation 4 below is satisfied. C_L in Equation 4 is the load specified for the crystal.

$$C_L = \frac{C_1 C_2}{(C_1 + C_2)} \tag{4}$$

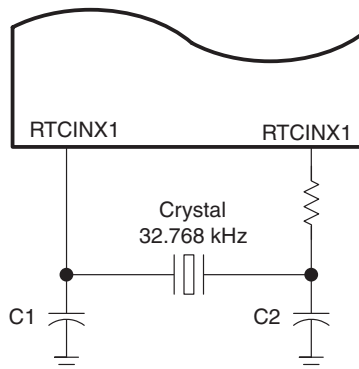


Figure 5-5. Real-Time Clock Oscillator With External Crystal

NOTE

The RTC can be idled by not supplying its 32-kHz oscillator signal. In order to keep RTC power dissipation to a minimum when the RTC module is not used, it is recommended that the RTC module be powered up, the RTC input pin (RTCINX1) be pulled low, and the RTC output pin (RTCINX2) be left floating.

Table 5-6. Recommended RTC Crystal Parameters

PARAMETER		MIN	NOM	MAX	UNIT
f_o	Frequency of oscillation ⁽¹⁾		32.768		kHz
ESR	Series resistance ⁽¹⁾	30		60	k Ω
C_L	Load capacitance		12.5		pF
DL	Crystal drive level			1	μ W

(1) ESR must be 200 k Ω or greater at frequencies other than 32.768 kHz. Otherwise, oscillations at overtone frequencies may occur.

5.7 Memory Interface Timings**5.7.1 Asynchronous Memory Timings**

Table 5-7 and Table 5-8 assume testing over recommended operating conditions (see Figure 5-6 and Figure 5-7).

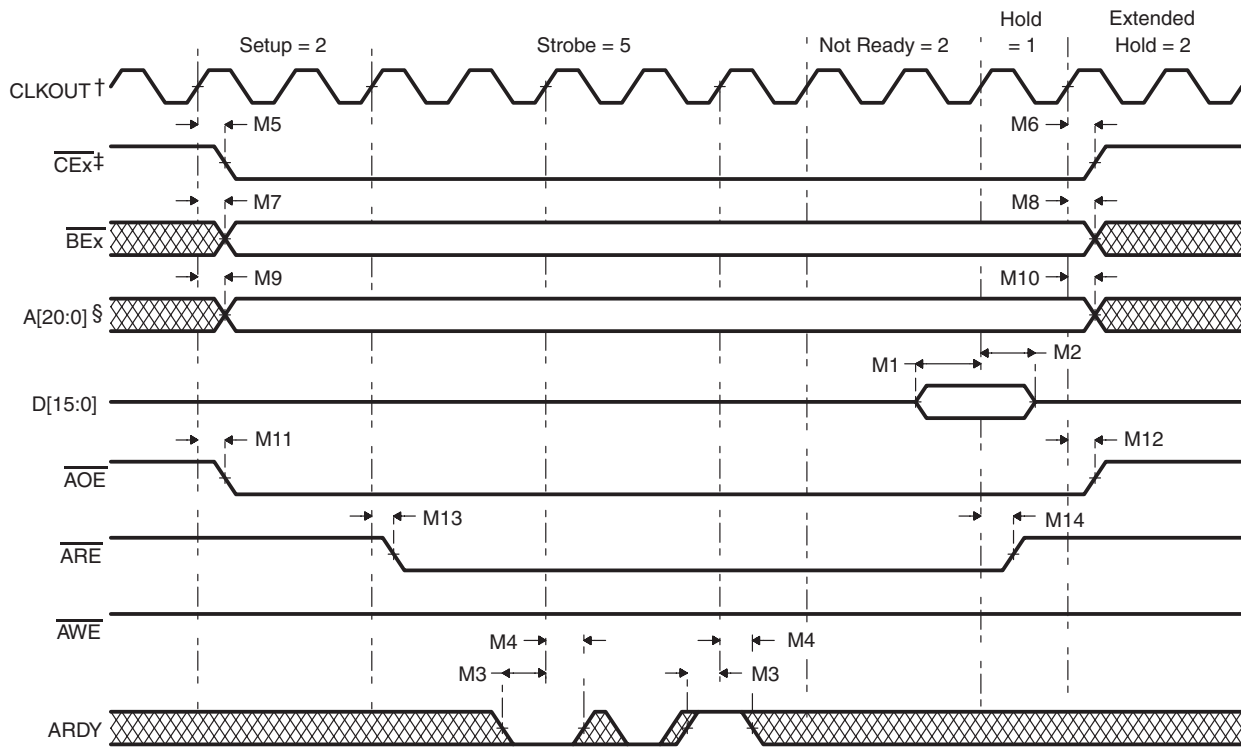
Table 5-7. Asynchronous Memory Cycle Timing Requirements

NO.			$C_{V_{DD}} = 1.2\text{ V}$ $C_{V_{DD}} = 1.35\text{ V}$		$C_{V_{DD}} = 1.6\text{ V}$		UNIT
			MIN	MAX	MIN	MAX	
M1	t_{su} (DV–COH)	Setup time, read data valid before CLKOUT high ⁽¹⁾	6		5		ns
M2	t_h (COH–DV)	Hold time, read data valid after CLKOUT high	0		0		ns
M3	t_{su} (ARDY–COH)	Setup time, ARDY valid before CLKOUT high ⁽¹⁾	10		7		ns
M4	t_h (COH–ARDY)	Hold time, ARDY valid after CLKOUT high	0		0		ns

(1) To ensure data setup time, simply program the strobe width wide enough. ARDY is internally synchronized. If ARDY does not meet setup or hold time, it may be recognized in the current cycle or the next cycle. Thus, ARDY can be an asynchronous input.

Table 5-8. Asynchronous Memory Cycle Switching Characteristics

NO.			$C_{V_{DD}} = 1.2\text{ V}$ $C_{V_{DD}} = 1.35\text{ V}$		$C_{V_{DD}} = 1.6\text{ V}$		UNIT
			MIN	MAX	MIN	MAX	
M5	t_d (COH–CEV)	Delay time, CLKOUT high to $\overline{CE}x$ valid	-2	4	-2	4	ns
M6	t_d (COH–CEIV)	Delay time, CLKOUT high to $\overline{CE}x$ invalid	-2	4	-2	4	ns
M7	t_d (COH–BEV)	Delay time, CLKOUT high to $\overline{BE}x$ valid		4		4	ns
M8	t_d (COH–BEIV)	Delay time, CLKOUT high to $\overline{BE}x$ invalid	-2		-2		ns
M9	t_d (COH–AV)	Delay time, CLKOUT high to address valid		4		4	ns
M10	t_d (COH–AIV)	Delay time, CLKOUT high to address invalid	-2		-2		ns
M11	t_d (COH–AOEV)	Delay time, CLKOUT high to \overline{AOE} valid	-2	4	-2	4	ns
M12	t_d (COH–AOEIV)	Delay time, CLKOUT high to \overline{AOE} invalid	-2	4	-2	4	ns
M13	t_d (COH–AREV)	Delay time, CLKOUT high to \overline{ARE} valid	-2	4	-2	4	ns
M14	t_d (COH–AREIV)	Delay time, CLKOUT high to \overline{ARE} invalid	-2	4	-2	4	ns
M15	t_d (COH–DV)	Delay time, CLKOUT high to data valid		4		4	ns
M16	t_d (COH–DIV)	Delay time, CLKOUT high to data invalid	-2		-2		ns
M17	t_d (COH–AWEV)	Delay time, CLKOUT high to \overline{AWE} valid	-2	4	-2	4	ns
M18	t_d (COH–AWEIV)	Delay time, CLKOUT high to \overline{AWE} invalid	-2	4	-2	4	ns



† CLKOUT is equal to CPU clock

‡ CEX becomes active depending on the memory address space being accessed

§ A[13:0] for LQFP

Figure 5-6. Asynchronous Memory Read Timings

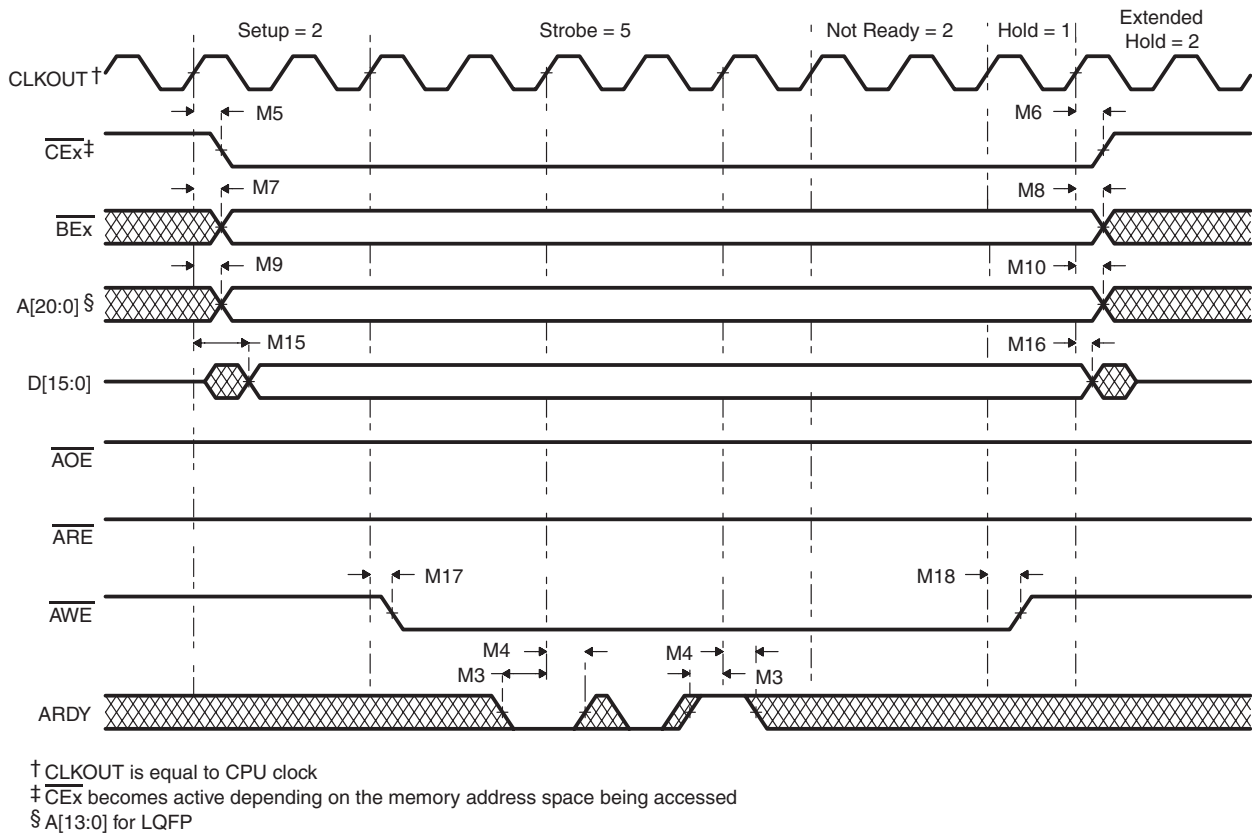


Figure 5-7. Asynchronous Memory Write Timings

5.7.2 Synchronous DRAM (SDRAM) Timings

Table 5-9 and Table 5-10 assume testing over recommended operating conditions (see Figure 5-8 through Figure 5-14).

Table 5-9. Synchronous DRAM Cycle Timing Requirements

NO.			CV _{DD} = 1.2 V CV _{DD} = 1.35 V		CV _{DD} = 1.6 V		UNIT
			MIN	MAX	MIN	MAX	
M19	t _{su} (DV-CLKMEMH)	Setup time, read data valid before CLKMEM high	3		3		ns
M20	t _h (CLKMEMH-DV)	Hold time, read data valid after CLKMEM high	2		2		ns
M21	t _c (CLKMEM)	Cycle time, CLKMEM	9.26 ⁽¹⁾		7.52 ⁽²⁾		ns

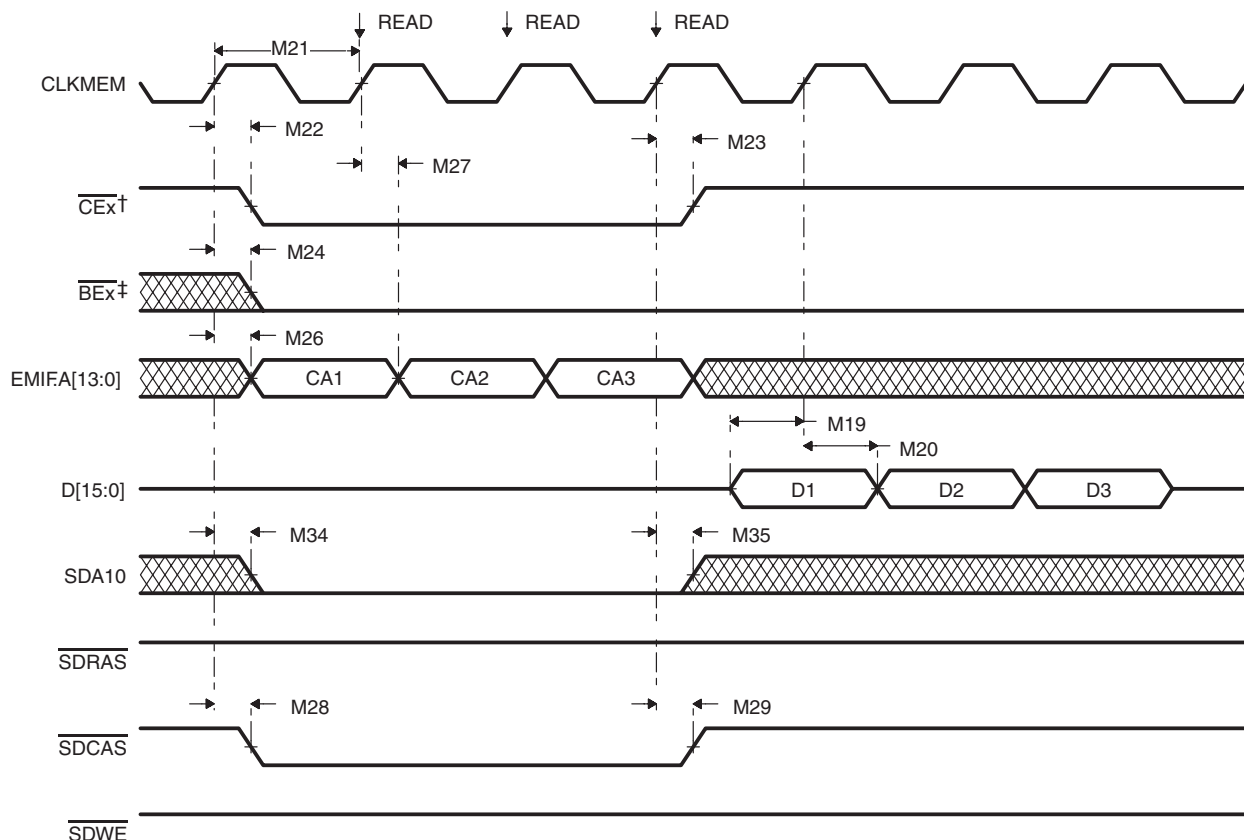
- (1) Maximum SDRAM operating frequency = 108 MHz. Actual attainable maximum operating frequency will depend on the quality of the PC board design and the memory chip timing requirement.
- (2) Maximum SDRAM operating frequency = 133 MHz. Actual attainable maximum operating frequency will depend on the quality of the PC board design and the memory chip timing requirement.

Table 5-10. Synchronous DRAM Cycle Switching Characteristics

NO.			CV _{DD} = 1.2 V CV _{DD} = 1.35 V		CV _{DD} = 1.6 V		UNIT
			MIN	MAX	MIN	MAX	
M22	t _d (CLKMEMH-CEL)	Delay time, CLKMEM high to CEx low	1.2	7	1.2	5	ns
M23	t _d (CLKMEMH-CEH)	Delay time, CLKMEM high to CEx high	1.2	7	1.2	5	ns
M24	t _d (CLKMEMH-BEV)	Delay time, CLKMEM high to BEx valid	1.2	7	1.2	5	ns

Table 5-10. Synchronous DRAM Cycle Switching Characteristics (continued)

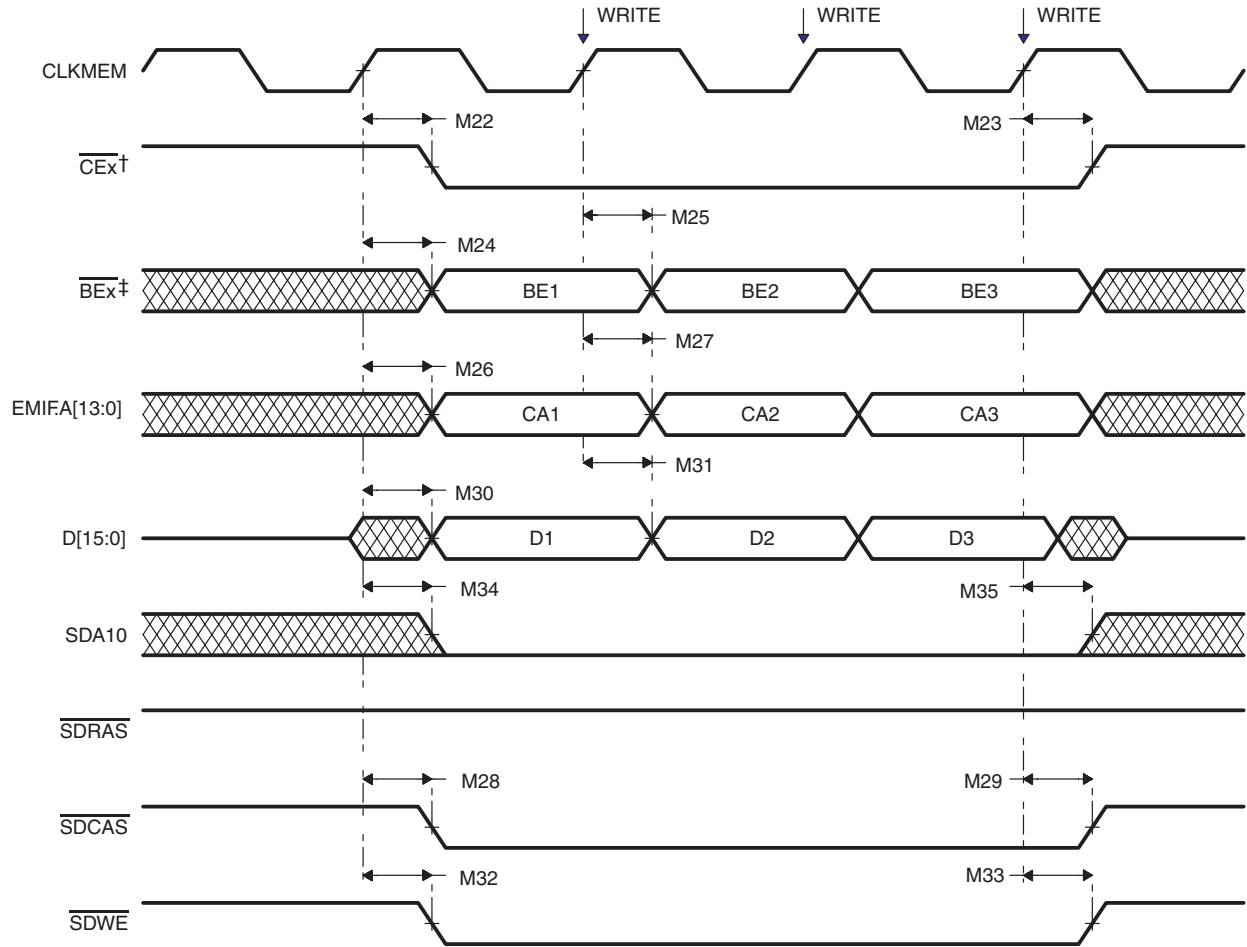
NO.			CV _{DD} = 1.2 V CV _{DD} = 1.35 V		CV _{DD} = 1.6 V		UNIT
			MIN	MAX	MIN	MAX	
M25	t _d (CLKMEMH-BEIV)	Delay time, CLKMEM high to BEx invalid	1.2	7	1.2	5	ns
M26	t _d (CLKMEMH-AV)	Delay time, CLKMEM high to address valid	1.2	7	1.2	5	ns
M27	t _d (CLKMEMH-AIV)	Delay time, CLKMEM high to address invalid	1.2	7	1.2	5	ns
M28	t _d (CLKMEMH-SDCASL)	Delay time, CLKMEM high to SDCAS low	1.2	7	1.2	5	ns
M29	t _d (CLKMEMH-SDCASH)	Delay time, CLKMEM high to SDCAS high	1.2	7	1.2	5	ns
M30	t _d (CLKMEMH-DV)	Delay time, CLKMEM high to data valid	1.2	7	1.2	5	ns
M31	t _d (CLKMEMH-DIV)	Delay time, CLKMEM high to data invalid	1.2	7	1.2	5	ns
M32	t _d (CLKMEMH-SDWEL)	Delay time, CLKMEM high to SDWE low	1.2	7	1.2	5	ns
M33	t _d (CLKMEMH-SDWEH)	Delay time, CLKMEM high to SDWE high	1.2	7	1.2	5	ns
M34	t _d (CLKMEMH-SDA10V)	Delay time, CLKMEM high to SDA10 valid	1.2	7	1.2	5	ns
M35	t _d (CLKMEMH-SDA10IV)	Delay time, CLKMEM high to SDA10 invalid	1.2	7	1.2	5	ns
M36	t _d (CLKMEMH-SDRASL)	Delay time, CLKMEM high to SDRAS low	1.2	7	1.2	5	ns
M37	t _d (CLKMEMH-SDRASH)	Delay time, CLKMEM high to SDRAS high	1.2	7	1.2	5	ns
M38	t _d (CLKMEMH-CKEL)	Delay time, CLKMEM high to CKE low	1.2	7	1.2	5	ns
M39	t _d (CLKMEMH-CKEH)	Delay time, CLKMEM high to CKE high	1.2	7	1.2	5	ns



† The chip enable that becomes active depends on the address being accessed.

‡ All BE[1:0] signals are driven low (active) during reads. Byte manipulation of the read data is performed inside the EMIF. These signals remain active until the next access that is not an SDRAM read occurs.

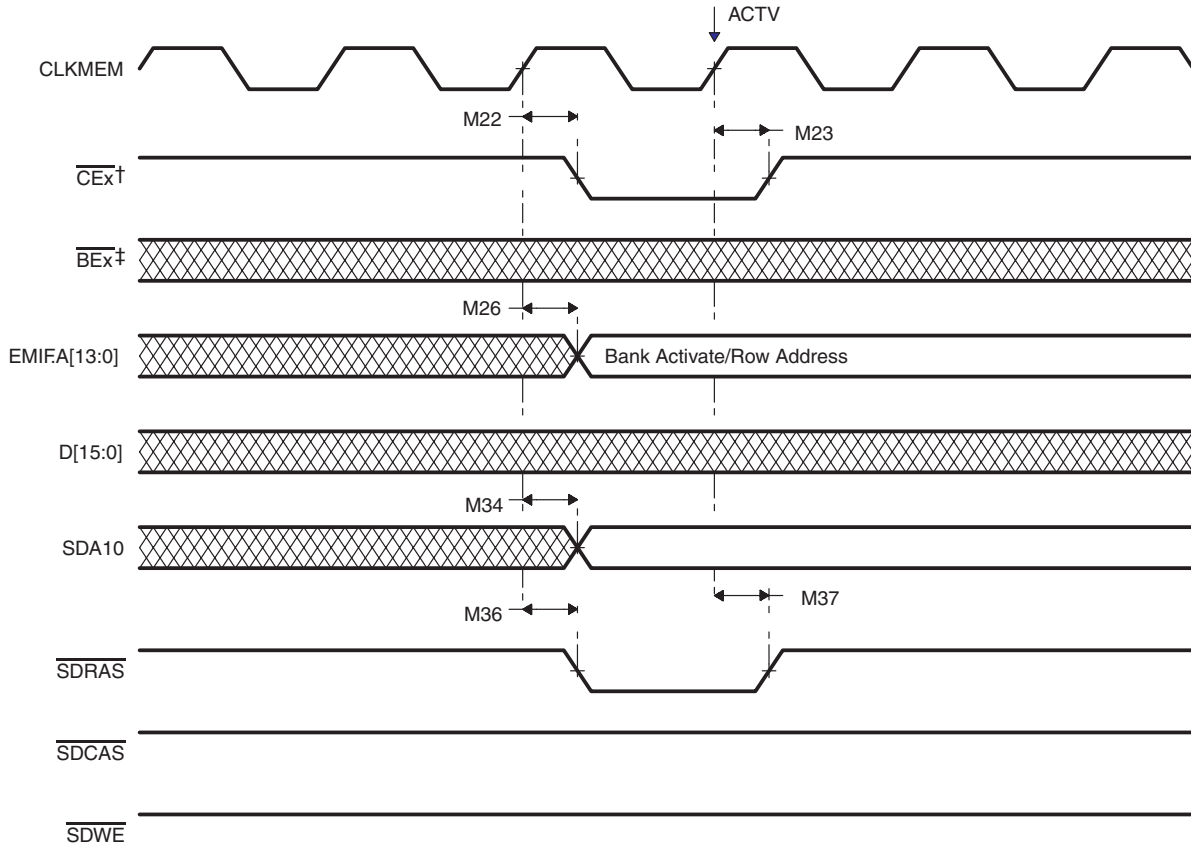
Figure 5-8. Three SDRAM Read Commands



† The chip enable that becomes active depends on the address being accessed.

‡ All BE[1:0] signals are driven low (active) during reads. Byte manipulation of the read data is performed inside the EMIF. These signals remain active until the next access that is not an SDRAM read occurs.

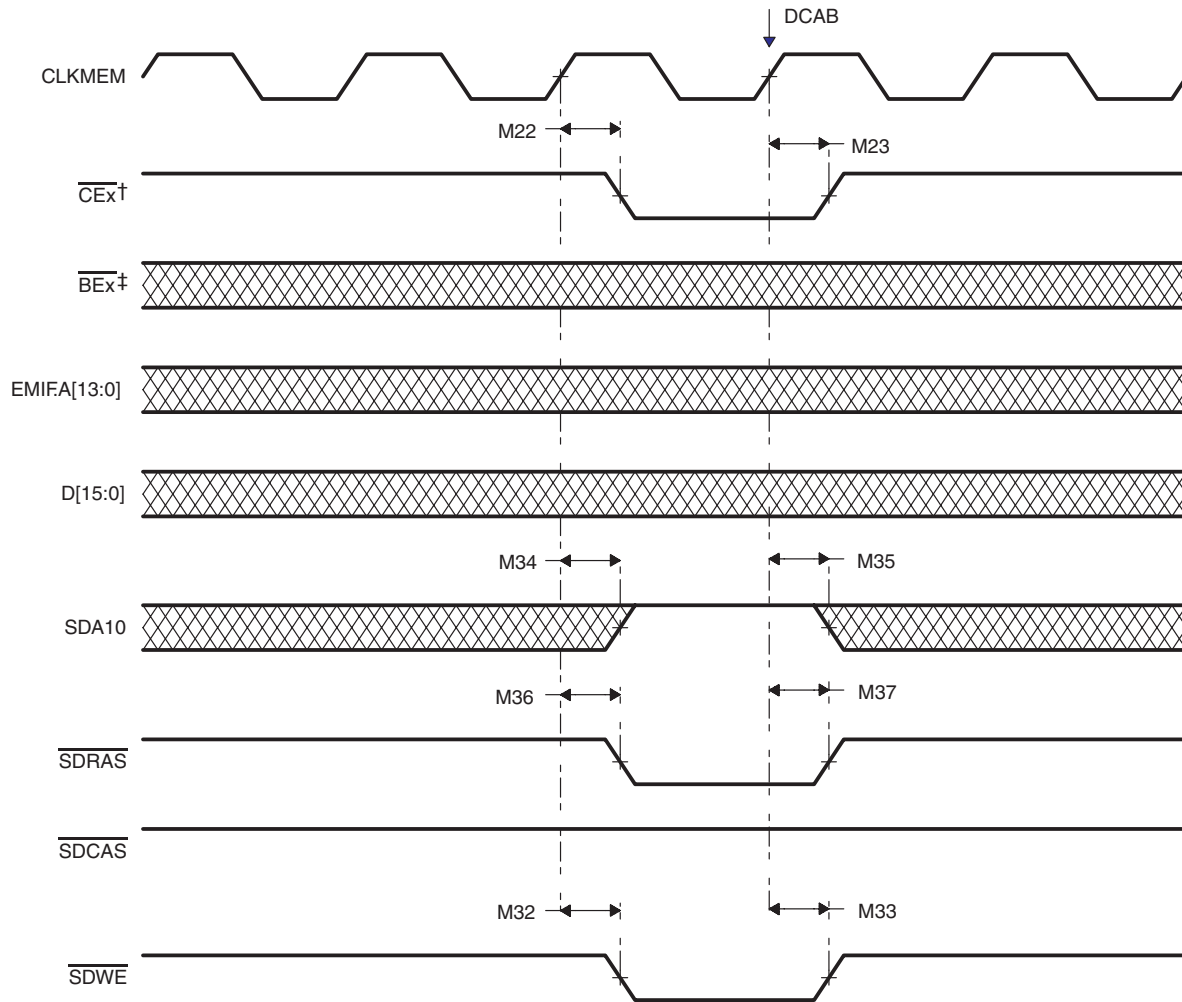
Figure 5-9. Three SDRAM WRT Commands



† The chip enable that becomes active depends on the address being accessed.

‡ All BE[1:0] signals are driven low (active) during reads. Byte manipulation of the read data is performed inside the EMIF. These signals remain active until the next access that is not an SDRAM read occurs.

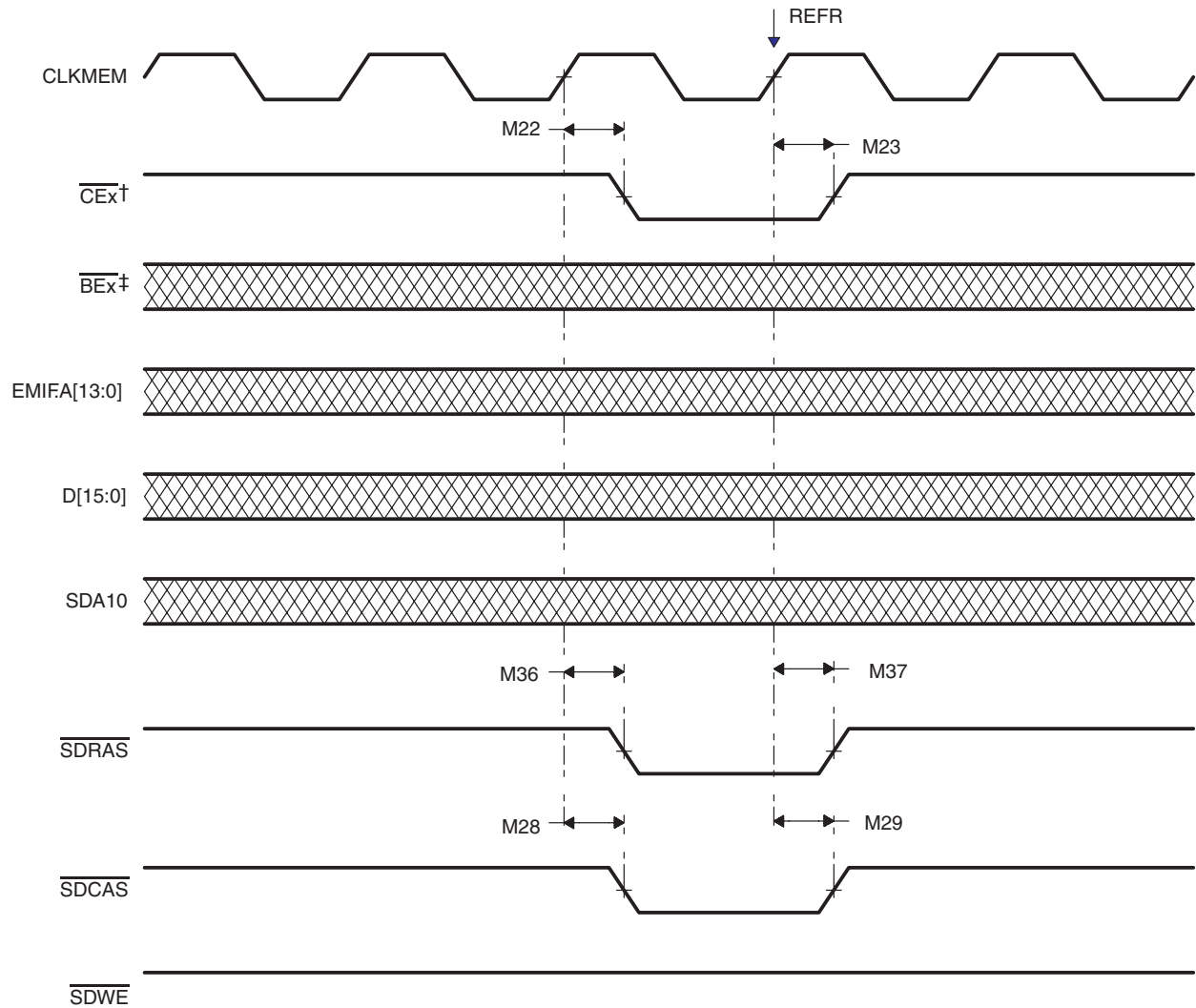
Figure 5-10. SDRAM ACTV Command



† The chip enable that becomes active depends on the address being accessed.

‡ All BE[1:0] signals are driven low (active) during reads. Byte manipulation of the read data is performed inside the EMIF. These signals remain active until the next access that is not an SDRAM read occurs.

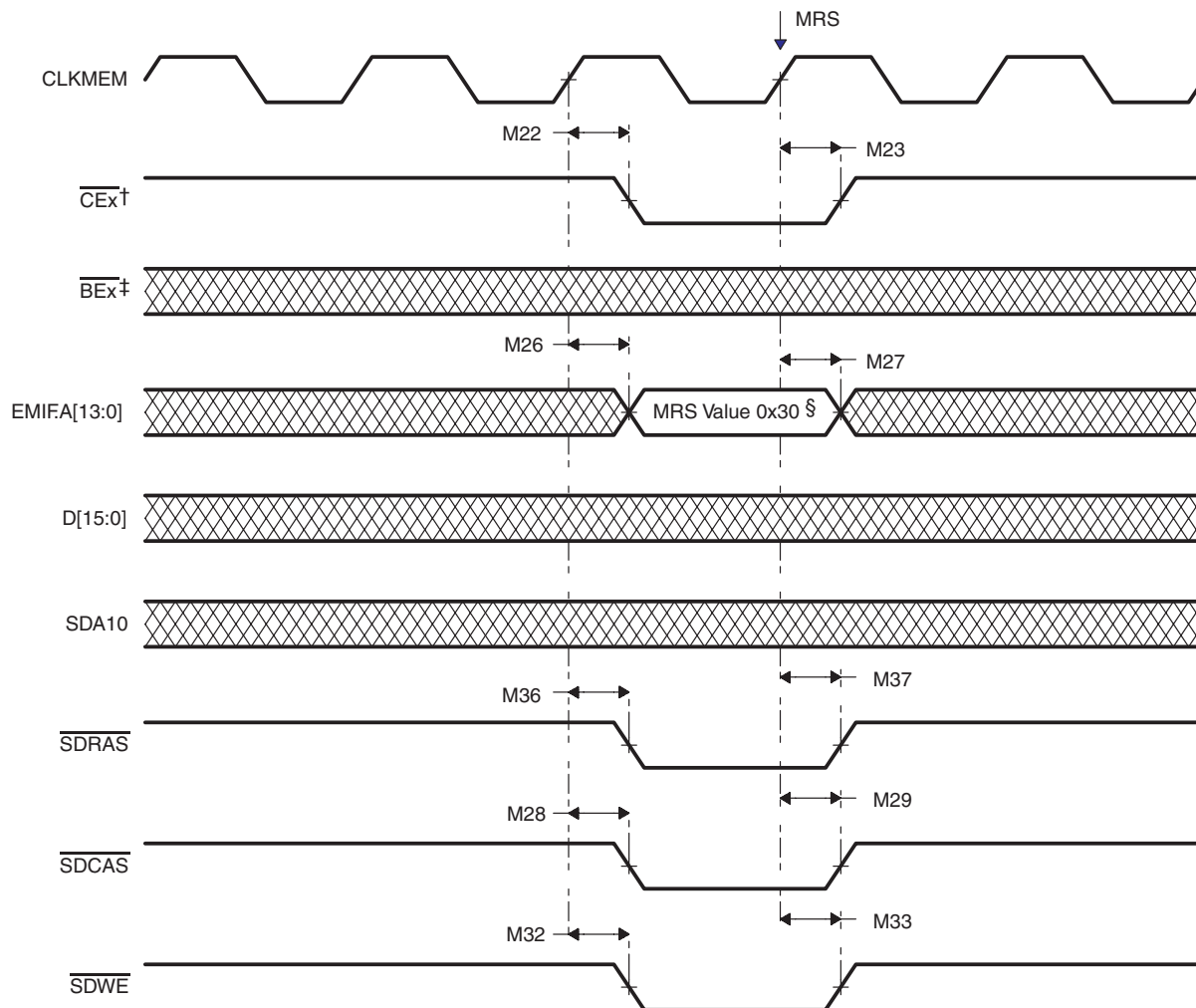
Figure 5-11. SDRAM DCAB Command



† The chip enable that becomes active depends on the address being accessed.

‡ All BE[1:0] signals are driven low (active) during reads. Byte manipulation of the read data is performed inside the EMIF. These signals remain active until the next access that is not an SDRAM read occurs.

Figure 5-12. SDRAM REFR Command



† The chip enable that becomes active depends on the address being accessed.
 ‡ All BE[1:0] signals are driven low (active) during reads. Byte manipulation of the read data is performed inside the EMIF. These signals remain active until the next access that is not an SDRAM read occurs.
 § Write burst length = 1
 Read latency = 3
 Burst type = 0 (serial)
 Burst length = 1

Figure 5-13. SDRAM MRS Command

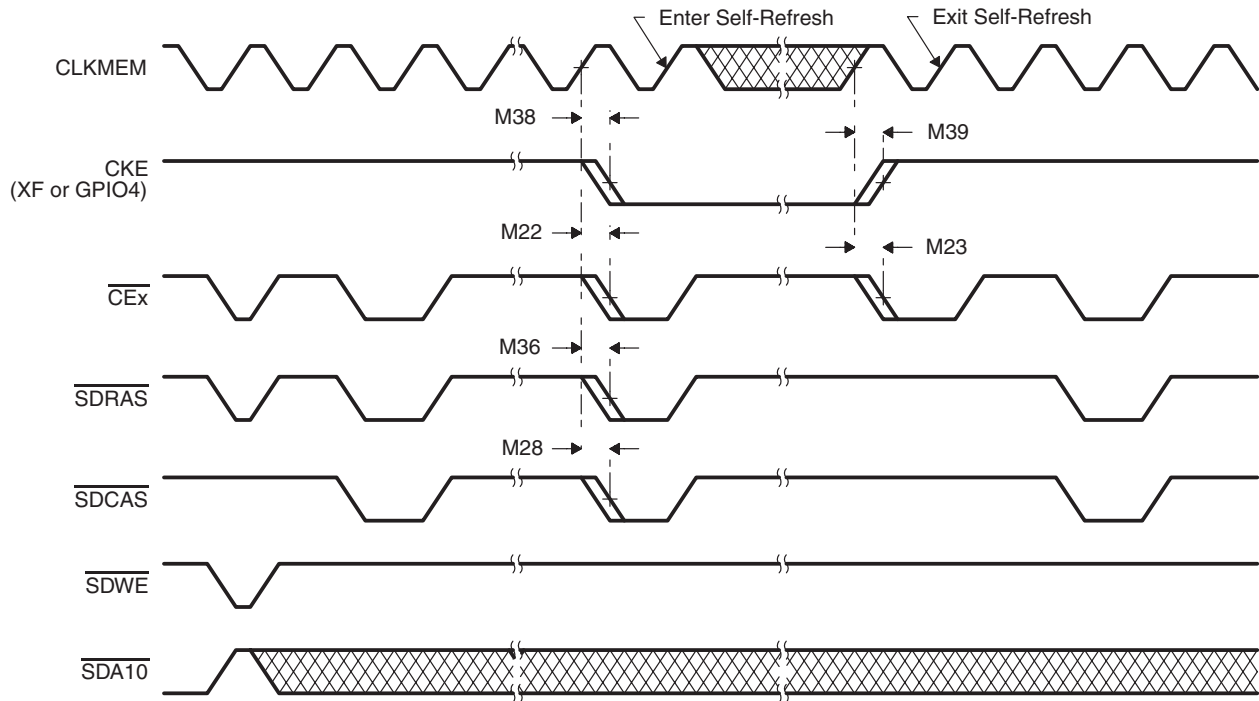


Figure 5-14. SDRAM Self-Refresh Command

5.8 Reset Timings

5.8.1 Power-Up Reset (On-Chip Oscillator Active)

Table 5-11 assumes testing over recommended operating conditions (see Figure 5-15).

Table 5-11. Power-Up Reset (On-Chip Oscillator Active) Timing Requirements

NO.		CV _{DD} = 1.2 V CV _{DD} = 1.35 V		CV _{DD} = 1.6 V		UNIT
		MIN	MAX	MIN	MAX	
R1	t _h (SUPSTBL-RSTL) Hold time, $\overline{\text{RESET}}$ low after oscillator stable ⁽¹⁾	3P ⁽²⁾		3P ⁽²⁾		ns

- (1) Oscillator stable time depends on the crystal characteristic (i.e., frequency, ESR, etc.) which varies from one crystal manufacturer to another. Based on the crystal characteristics, the oscillator stable time can be in the range of a few to 10s of ms. A reset circuit with 100-ms or more delay time will ensure the oscillator stabilized before the $\overline{\text{RESET}}$ goes high.
- (2) P = 1/(input clock frequency) in ns. For example, when input clock is 12 MHz, P = 83.33 ns.

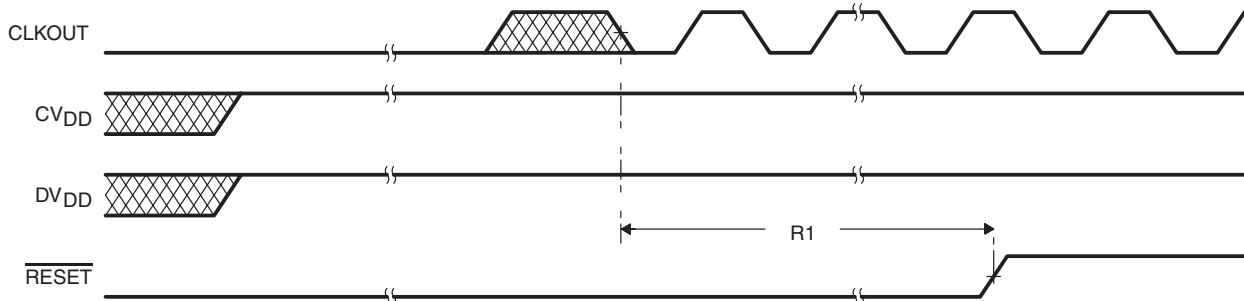


Figure 5-15. Power-Up Reset (On-Chip Oscillator Active) Timings

5.8.2 Power-Up Reset (On-Chip Oscillator Inactive)

Table 5-12 and Table 5-13 assume testing over recommended operating conditions (see Figure 5-16).

Table 5-12. Power-Up Reset (On-Chip Oscillator Inactive) Timing Requirements

NO.		CV _{DD} = 1.2 V CV _{DD} = 1.35 V		CV _{DD} = 1.6 V		UNIT
		MIN	MAX	MIN	MAX	
R2	t _h (CLKOUTV-RSTL) Hold time, CLKOUT valid to $\overline{\text{RESET}}$ low	3P ⁽¹⁾		3P ⁽¹⁾		ns

(1) P = 1/(input clock frequency) in ns. For example, when input clock is 12 MHz, P = 83.33 ns.

Table 5-13. Power-Up Reset (On-Chip Oscillator Inactive) Switching Characteristics

NO.		CV _{DD} = 1.2 V CV _{DD} = 1.35 V		CV _{DD} = 1.6 V		UNIT
		MIN	MAX	MIN	MAX	
R3	t _d (CLKINV-CLKOUTV) Delay time, CLKIN valid to CLKOUT valid	30		30		ns

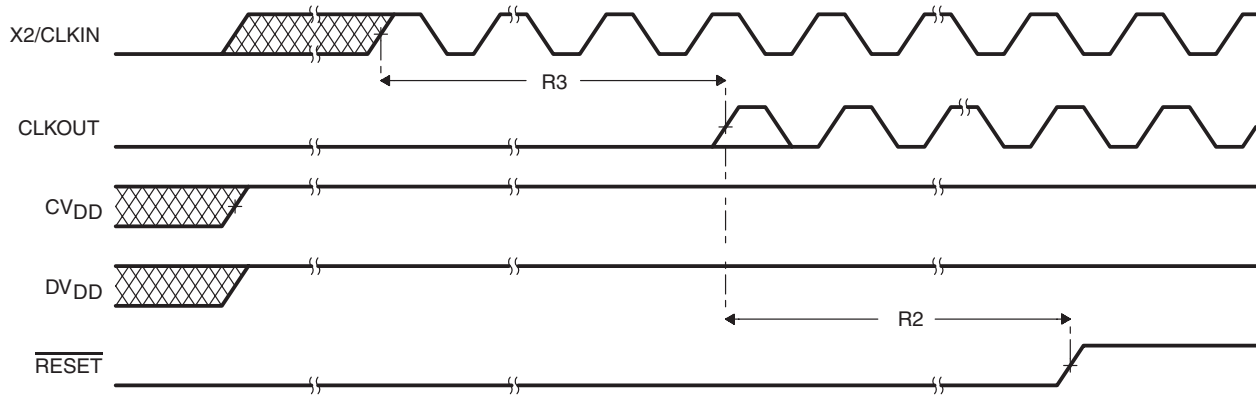


Figure 5-16. Power-Up Reset (On-Chip Oscillator Inactive) Timings

5.8.3 Warm Reset

Table 5-14 and Table 5-15 assume testing over recommended operating conditions (see Figure 5-17).

Table 5-14. Reset Timing Requirements

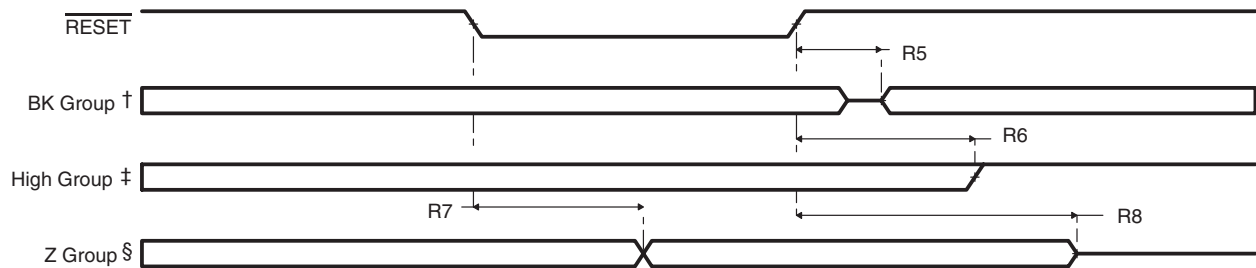
NO.		CV _{DD} = 1.2 V CV _{DD} = 1.35 V		CV _{DD} = 1.6 V		UNIT
		MIN	MAX	MIN	MAX	
R4	t _w (RSL) Pulse width, reset low	3P ⁽¹⁾		3P ⁽¹⁾		ns

(1) P = 1/CPU clock frequency in ns. For example, when running parts at 200 MHz, use P = 5 ns.

Table 5-15. Reset Switching Characteristics⁽¹⁾

NO.			CV _{DD} = 1.2 V CV _{DD} = 1.35 V		CV _{DD} = 1.6 V		UNIT
			MIN	MAX	MIN	MAX	
R5	t _d (RSTH-BKV)	Delay time, reset high to BK group valid ⁽²⁾	38P + 15		38P + 15		ns
R6	t _d (RSTH-HIGHV)	Delay time, reset high to High group valid ⁽³⁾	38P + 15		38P + 15		ns
R7	t _d (RSTL-ZIV)	Delay time, reset low to Z group invalid ⁽⁴⁾	1P + 15		1P + 15		ns
R8	t _d (RSTH-ZV)	Delay time, reset high to Z group valid ⁽⁴⁾	38P + 15		38P + 15		ns

- (1) P = 1/CPU clock frequency in ns. For example, when CPU is running at 200 MHz, P = 5 ns.
 (2) BK group: Pins with bus keepers, holds previous state during reset. Following low-to-high transition of RESET, these pins go to their post-reset logic state.
 BK group pins: A[0], A[15:0], D[15:0], C[14:2], C0, GPIO5, DX1, and DX2
 (3) High group: Following low-to-high transition of RESET, these pins go to logic-high state.
 High group pins: C1[HPI.HINT], XF
 (4) Z group: Bidirectional pins which become input or output pins. Following low-to-high transition of RESET, these pins go to high-impedance state.
 Z group pins: C1[EMIF.AOE], GPIO[7:6, 4:0], TIN/TOUT0, SDA, SCL, CLKR0, FSR0, CLKX0, DX0, FSX0, FSX2, CLKX2, FSR2, DR2, CLKR2, FSX1, CLKX1, FSR1, DR1, CLKR1, A[20:16]



- † BK group pins: A[0], A[15:0], D[15:0], C[14:2], C0, GPIO5, DX1, and DX2
 ‡ High group pins: C1[HPI.HINT], XF
 § Z group pins: C1[EMIF.AOE], GPIO[7:6, 4:0], TIN/TOUT0, SDA, SCL, CLKR0, FSR0, CLKX0, DX0, FSX0, FSX2, CLKX2, FSR2, DR2, CLKR2, FSX1, CLKX1, FSR1, DR1, CLKR1, A[20:16]

Figure 5-17. Reset Timings

5.9 External Interrupt Timings

Table 5-16 assumes testing over recommended operating conditions (see Figure 5-18).

Table 5-16. External Interrupt Timing Requirements⁽¹⁾

NO.			CV _{DD} = 1.2 V CV _{DD} = 1.35 V		CV _{DD} = 1.6 V		UNIT
			MIN	MAX	MIN	MAX	
I1	t _w (INTH) _A	Pulse width, interrupt high, CPU active	2P		2P		ns
I2	t _w (INTL) _A	Pulse width, interrupt low, CPU active	3P		3P		ns

- (1) P = 1/CPU clock frequency in ns. For example, when running parts at 200 MHz, use P = 5 ns.

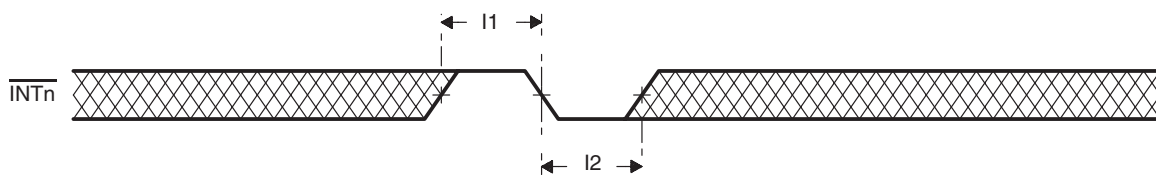


Figure 5-18. External Interrupt Timings

5.10 Wake-Up From IDLE

⁽²⁾assumes testing over recommended operating conditions (see Figure 5-19).

Table 5-17. Wake-Up From IDLE Switching Characteristics⁽¹⁾

NO.			CV _{DD} = 1.2 V CV _{DD} = 1.35 V			CV _{DD} = 1.6 V			UNIT
			MIN	TYP	MAX	MIN	TYP	MAX	
ID1	t _d (WKPEVTL–CLKGEN)	Delay time, wake-up event low to clock generation enable (CPU and clock domain idle)	1.25 ⁽²⁾			1.25 ⁽²⁾			ms
ID2	t _h (CLKGEN–WKPEVTL)	Hold time, clock generation enable to wake-up event low (CPU and clock domain in idle)	3P ⁽³⁾			3P ⁽³⁾			ns
ID3	t _w (WKPEVTL)	Pulse width, wake-up event low (for CPU idle only)	3P			3P			ns

- (2) P = 1/CPU clock frequency in ns. For example, when running parts at 200 MHz, use P = 5 ns.
- (1) P = 1/CPU clock frequency in ns. For example, when running parts at 200 MHz, use P = 5 ns.
- (2) Estimated data based on 12-MHz crystal used with on-chip oscillator at 25°C. This number will vary based on the actual crystal characteristics operating condition and the PC board layout and the parasitics.
- (3) Following the clock generation domain idle, the INTx becomes level-sensitive and stays that way until the low-to-high transition of INTx following the CPU wake-up. Holding the INTx low longer than minimum requirement will send more than one interrupt to the CPU. The number of interrupts sent to the CPU depends on the INTx-low time following the CPU wake-up from IDLE.

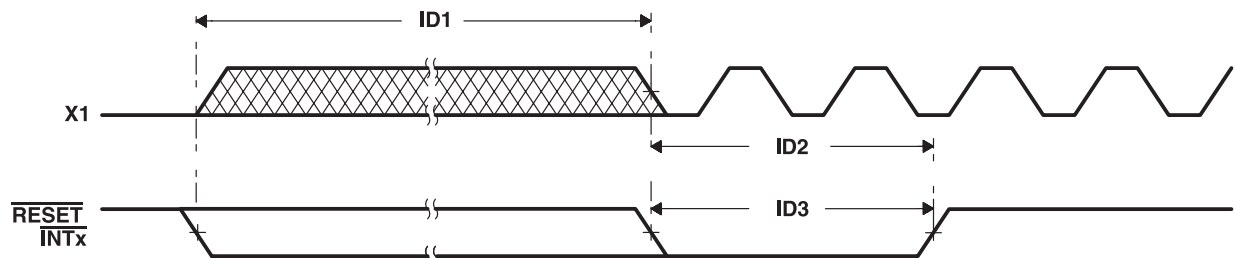


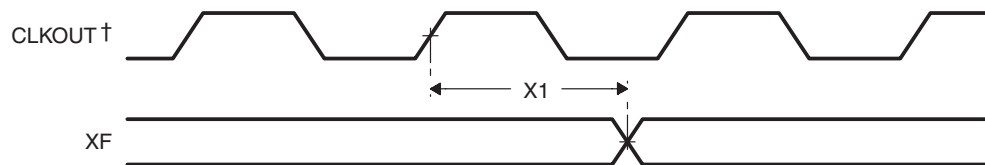
Figure 5-19. Wake-Up From IDLE Timings

5.11 XF Timings

Table 5-18 assumes testing over recommended operating conditions (see Figure 5-20).

Table 5-18. XF Switching Characteristics

NO.			CV _{DD} = 1.2 V CV _{DD} = 1.35 V		CV _{DD} = 1.6 V		UNIT
			MIN	MAX	MIN	MAX	
X1	t _d (XF)	Delay time, CLKOUT high to XF high	-1	3	-1	3	ns
		Delay time, CLKOUT high to XF low	-1	3	-1	3	



† CLKOUT reflects the CPU clock.

Figure 5-20. XF Timings

5.12 General-Purpose Input/Output (GPIOx) Timings

Table 5-19 and Table 5-20 assume testing over recommended operating conditions (see Figure 5-21).

Table 5-19. GPIO Pins Configured as Inputs Timing Requirements

NO.			CV _{DD} = 1.2 V CV _{DD} = 1.35 V		CV _{DD} = 1.6 V		UNIT
			MIN	MAX	MIN	MAX	
G1	t _{su} (GPIO–COH)	Setup time, IOx input valid before CLKOUT high	GPIO	4	4	ns	
			AGPIO ⁽¹⁾	8	8		
			EHPIGPIO ⁽²⁾	8	8		
G2	t _h (COH–GPIO)	Hold time, IOx input valid after CLKOUT high	GPIO	0	0	ns	
			AGPIO ⁽¹⁾	0	0		
			EHPIGPIO ⁽²⁾	0	0		

(1) AGPIO pins: A[15:0]

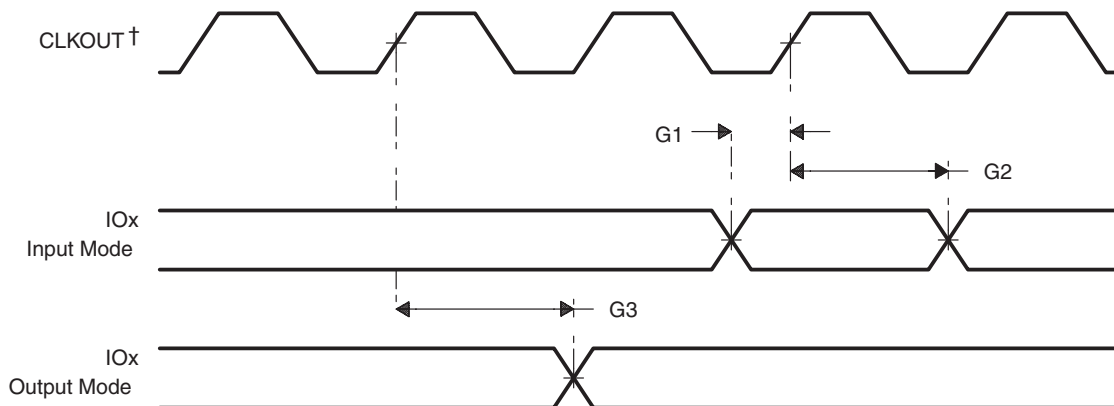
(2) EHPIGPIO pins: C13, C10, C7, C5, C4, and C0

Table 5-20. GPIO Pins Configured as Outputs Switching Characteristics

NO.			CV _{DD} = 1.2 V CV _{DD} = 1.35 V		CV _{DD} = 1.6 V		UNIT	
			MIN	MAX	MIN	MAX		
G3	t _d (COH–GPIO)	Delay time, CLKOUT high to IOx output change	GPIO	0	6	0	6	ns
			AGPIO ⁽¹⁾	0	11	0	11	
			EHPIGPIO ⁽²⁾	0	13	0	13	

(1) AGPIO pins: A[15:0]

(2) EHPIGPIO pins: C13, C10, C7, C5, C4, and C0



† CLKOUT reflects the CPU clock.

Figure 5-21. General-Purpose Input/Output (IOx) Signal Timings

5.13 TIN/TOUT Timings (Timer0 Only)

Table 5-21 and Table 5-22 assume testing over recommended operating conditions (see Figure 5-22 and Figure 5-23).

Table 5-21. TIN/TOUT Pins Configured as Inputs Timing Requirements^{(1) (2)}

NO.		CV _{DD} = 1.2 V CV _{DD} = 1.35 V		CV _{DD} = 1.6 V		UNIT
		MIN	MAX	MIN	MAX	
T4	t _w (TIN/TOUTL) Pulse width, TIN/TOUT low	2P + 1		2P + 1		ns
T5	t _w (TIN/TOUTH) Pulse width, TIN/TOUT high	2P + 1		2P + 1		ns

- (1) P = 1/CPU clock frequency in ns. For example, when running parts at 200 MHz, use P = 5 ns.
- (2) Only the Timer0 signal is externally available. The Timer1 signal is internally terminated and is not available for external use.

Table 5-22. TIN/TOUT Pins Configured as Outputs Switching Characteristics^{(1) (2) (3)}

NO.		CV _{DD} = 1.2 V CV _{DD} = 1.35 V		CV _{DD} = 1.6 V		UNIT
		MIN	MAX	MIN	MAX	
T1	t _d (COH-TIN/TOUTH) Delay time, CLKOUT high to TIN/TOUT high	-1	3	-1	3	ns
T2	t _d (COH-TIN/TOUTL) Delay time, CLKOUT high to TIN/TOUT low	-1	3	-1	3	ns
T3	t _w (TIN/TOUT) Pulse duration, TIN/TOUT (output)	P - 1		P - 1		ns

- (1) P = 1/CPU clock frequency in ns. For example, when running parts at 200 MHz, use P = 5 ns.
- (2) Only the Timer0 signal is externally available. The Timer1 signal is internally terminated and is not available for external use.
- (3) For proper operation of the TIN/TOUT pin configured as an output, the timer period must be configured for at least 4 cycles.

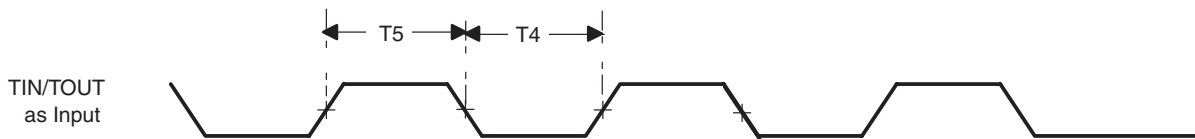


Figure 5-22. TIN/TOUT Timings When Configured as Inputs

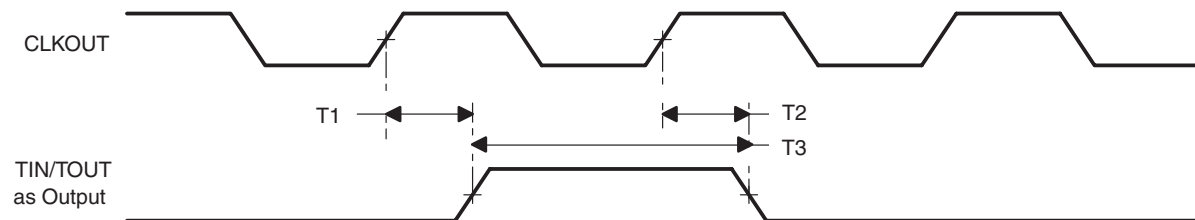


Figure 5-23. TIN/TOUT Timings When Configured as Outputs

5.14 Multichannel Buffered Serial Port (McBSP) Timings

5.14.1 McBSP0 Timings

Table 5-23 and Table 5-24 assume testing over recommended operating conditions (see Figure 5-24 and Figure 5-25).

Table 5-23. McBSP0 Timing Requirements⁽¹⁾

NO.			CV _{DD} = 1.2 V CV _{DD} = 1.35 V		CV _{DD} = 1.6 V		UNIT
			MIN	MAX	MIN	MAX	
MC1	t _c (CKRX)	Cycle time, CLKR/X	CLKR/X ext	2P ⁽²⁾		2P ⁽²⁾	ns
MC2	t _w (CKRX)	Pulse duration, CLKR/X high or CLKR/X low	CLKR/X ext	P-1 ⁽²⁾		P-1 ⁽²⁾	ns
MC3	t _r (CKRX)	Rise time, CLKR/X	CLKR/X ext		6	6	ns
MC4	t _f (CKRX)	Fall time, CLKR/X	CLKR/X ext		6	6	ns
MC5	t _{su} (FRH-CKRL)	Setup time, external FSR high before CLKR low	CLKR int	10		7	ns
			CLKR ext	2		2	
MC6	t _h (CKRL-FRH)	Hold time, external FSR high after CLKR low	CLKR int	-3		-3	ns
			CLKR ext	1		1	
MC7	t _{su} (DRV-CKRL)	Setup time, DR valid before CLKR low	CLKR int	10		7	ns
			CLKR ext	2		2	
MC8	t _h (CKRL-DRV)	Hold time, DR valid after CLKR low	CLKR int	-2		-2	ns
			CLKR ext	3		3	
MC9	t _{su} (FXH-CKXL)	Setup time, external FSX high before CLKX low	CLKX int	13		8	ns
			CLKX ext	3		2	
MC10	t _h (CKXL-FXH)	Hold time, external FSX high after CLKX low	CLKX int	-3		-3	ns
			CLKX ext	1		1	

(1) Polarity bits CLKRP = CLKXP = FSRP = FSXP = 0. If the polarity of any of the signals is inverted, then the timing references of that signal are also inverted.

(2) P = 1/CPU clock frequency. For example, when running parts at 200 MHz, use P = 5 ns.

Table 5-24. McBSP0 Switching Characteristics^{(1) (2)}

NO.			CV _{DD} = 1.2 V CV _{DD} = 1.35 V		CV _{DD} = 1.6 V		UNIT	
			MIN	MAX	MIN	MAX		
MC1	t _c (CKRX)	Cycle time, CLKR/X	CLKR/X int	2P		2P	ns	
MC3	t _r (CKRX)	Rise time, CLKR/X	CLKR/X int		1	1	ns	
MC4	t _f (CKRX)	Fall time, CLKR/X	CLKR/X int		1	1	ns	
MC11	t _w (CKRXH)	Pulse duration, CLKR/X high	CLKR/X int	D-2 ⁽³⁾	D+2 ⁽³⁾	D-1 ⁽³⁾	D+1 ⁽³⁾	ns
MC12	t _w (CKRXL)	Pulse duration, CLKR/X low	CLKR/X int	C-2 ⁽³⁾	C+2 ⁽³⁾	C-1 ⁽³⁾	C+1 ⁽³⁾	ns
MC13	t _d (CKRH-FRV)	Delay time, CLKR high to internal FSR valid	CLKR int	-2	1	-2	1	ns
			CLKR ext	4	13	4	8	
MC14	t _d (CKXH-FXV)	Delay time, CLKX high to internal FSX valid	CLKX int	-2	2	-2	2	ns
			CLKX ext	4	15	4	9	
MC15	t _{dis} (CKXH-DXHZ)	Disable time, DX high-impedance from CLKX high following last data bit	CLKX int	0	5	-5	1	ns
			CLKX ext	10	18	3	11	

(1) Polarity bits CLKRP = CLKXP = FSRP = FSXP = 0. If the polarity of any of the signals is inverted, then the timing references of that signal are also inverted.

(2) P = 1/CPU clock frequency. For example, when running parts at 200 MHz, use P = 5 ns.

(3) T = CLKRX period = (1 + CLKGDV) * P

C = CLKRX low pulse width = T/2 when CLKGDV is odd or zero and = (CLKGDV/2) * P when CLKGDV is even

D = CLKRX high pulse width = T/2 when CLKGDV is odd or zero and = (CLKGDV/2 + 1) * P when CLKGDV is even

Table 5-24. McBSP0 Switching Characteristics ^{(1) (2)} (continued)

NO.				CV _{DD} = 1.2 V CV _{DD} = 1.35 V		CV _{DD} = 1.6 V		UNIT
				MIN	MAX	MIN	MAX	
MC16	t _d (CKXH–DXV)	Delay time, CLKX high to DX valid. This applies to all bits except the first bit transmitted.		CLKX int	5		4	ns
				CLKX ext	15		9	
		Delay time, CLKX high to DX valid ⁽⁴⁾	DXENA = 0	CLKX int	4		2	
				CLKX ext	13		7	
		Only applies to first bit transmitted when in Data Delay 1 or 2 (XDATDLY = 01b or 10b) modes	DXENA = 1	CLKX int	2P + 1		2P + 1	
				CLKX ext	2P + 4		2P + 3	
MC17	t _{en} (CKXH–DX)	Enable time, DX driven from CLKX high ⁽⁴⁾	DXENA = 0	CLKX int	-1		-3	ns
				CLKX ext	6		3	
		Only applies to first bit transmitted when in Data Delay 1 or 2 (XDATDLY = 01b or 10b) modes	DXENA = 1	CLKX int	P - 1		P - 3	
				CLKX ext	P + 6		P + 3	
MC18	t _d (FXH–DXV)	Delay time, FSX high to DX valid ⁽⁴⁾	DXENA = 0	FSX int	2		2	ns
				FSX ext	13		8	
		Only applies to first bit transmitted when in Data Delay 0 (XDATDLY = 00b) mode.	DXENA = 1	FSX int	2P + 1		2P + 1	
				FSX ext	2P + 10		2P + 10	
MC19	t _{en} (FXH–DX)	Enable time, DX driven from FSX high ⁽⁴⁾	DXENA = 0	FSX int	0		0	ns
				FSX ext	8		3	
		Only applies to first bit transmitted when in Data Delay 0 (XDATDLY = 00b) mode	DXENA = 1	FSX int	P - 3		P - 3	
				FSX ext	P + 8		P + 4	

(4) See the TMS320C55x DSP Peripherals Overview Reference Guide (literature number [SPRU317](#)) for a description of the DX enable (DXENA) and data delay features of the McBSP.

5.14.2 McBSP1 and McBSP2 Timings

Table 5-25 and Table 5-26 assume testing over recommended operating conditions (see Figure 5-24 and Figure 5-25).

Table 5-25. McBSP1 and McBSP2 Timing Requirements ⁽¹⁾

NO.				CV _{DD} = 1.2 V CV _{DD} = 1.35 V		CV _{DD} = 1.6 V		UNIT
				MIN	MAX	MIN	MAX	
MC1	t _c (CKRX)	Cycle time, CLKR/X	CLKR/X ext	2P ⁽²⁾		2P ⁽²⁾		ns
MC2	t _w (CKRX)	Pulse duration, CLKR/X high or CLKR/X low	CLKR/X ext	P-1 ⁽²⁾		P-1 ⁽²⁾		ns
MC3	t _r (CKRX)	Rise time, CLKR/X	CLKR/X ext		6		6	ns
MC4	t _f (CKRX)	Fall time, CLKR/X	CLKR/X ext		6		6	ns
MC5	t _{su} (FRH–CKRL)	Setup time, external FSR high before CLKR low	CLKR int	11		7		ns
			CLKR ext	3		3		

(1) Polarity bits CLKRP = CLKXP = FSRP = FSXP = 0. If the polarity of any of the signals is inverted, then the timing references of that signal are also inverted.

(2) P = 1/CPU clock frequency. For example, when running parts at 200 MHz, use P = 5 ns.

Table 5-25. McBSP1 and McBSP2 Timing Requirements ⁽¹⁾ (continued)

NO.				CV _{DD} = 1.2 V CV _{DD} = 1.35 V		CV _{DD} = 1.6 V		UNIT
				MIN	MAX	MIN	MAX	
MC6	t _h (CKRL–FRH)	Hold time, external FSR high after CLKR low	CLKR int	-3		-3		ns
			CLKR ext	1		1		
MC7	t _{su} (DRV–CKRL)	Setup time, DR valid before CLKR low	CLKR int	11		7		ns
			CLKR ext	3		3		
MC8	t _h (CKRL–DRV)	Hold time, DR valid after CLKR low	CLKR int	-2		-2		ns
			CLKR ext	3		3		
MC9	t _{su} (FXH–CKXL)	Setup time, external FSX high before CLKX low	CLKX int	14		9		ns
			CLKX ext	4		3		
MC10	t _h (CKXL–FXH)	Hold time, external FSX high after CLKX low	CLKX int	-3		-3		ns
			CLKX ext	1		1		

Table 5-26. McBSP0 Switching Characteristics ⁽¹⁾ ⁽²⁾

NO.				CV _{DD} = 1.2 V CV _{DD} = 1.35 V		CV _{DD} = 1.6 V		UNIT	
				MIN	MAX	MIN	MAX		
MC1	t _c (CKRX)	Cycle time, CLKR/X	CLKR/X int	2P		2P		ns	
MC3	t _r (CKRX)	Rise time, CLKR/X	CLKR/X int	2		2		ns	
MC4	t _f (CKRX)	Fall time, CLKR/X	CLKR/X int	2		2		ns	
MC11	t _w (CKRXH)	Pulse duration, CLKR/X high	CLKR/X int	D - 2 ⁽³⁾	D + 2 ⁽³⁾	D - 2 ⁽³⁾	D + 2 ⁽³⁾	ns	
MC12	t _w (CKRXL)	Pulse duration, CLKR/X low	CLKR/X int	C - 2 ⁽³⁾	C + 2 ⁽³⁾	C - 2 ⁽³⁾	C + 2 ⁽³⁾	ns	
MC13	t _d (CKRH–FRV)	Delay time, CLKR high to internal FSR valid	CLKR int	-3	2	-3	2	ns	
			CLKR ext	3	14	3	9		
MC14	t _d (CKXH–FXV)	Delay time, CLKX high to internal FSX valid	CLKX int	-3	2	-3	2	ns	
			CLKX ext	4	15	4	9		
MC15	t _{dis} (CKXH–DXHZ)	Disable time, DX high–impedance from CLKX high following last data bit	CLKX int	-3	3	-5	1	ns	
			CLKX ext	10	19	3	12		
MC16	t _d (CKXH–DXV)	Delay time, CLKX high to DX valid. This applies to all bits except the first bit transmitted.	CLKX int	5		3		ns	
			CLKX ext	15		9			
		Delay time, CLKX high to DX valid ⁽⁴⁾	DXENA = 0	CLKX int	4		2		
				CLKX ext	15		9		
		Only applies to first bit transmitted when in Data Delay 1 or 2 (XDATDLY=01b or 10b) modes	DXENA = 1	CLKX int	2P + 1		2P + 1		
				CLKX ext	2P + 5		2P + 3		

- (1) Polarity bits CLKRP = CLKXP = FSRP = FSXP = 0. If the polarity of any of the signals is inverted, then the timing references of that signal are also inverted.
- (2) P = 1/CPU clock frequency. For example, when running parts at 200 MHz, use P = 5 ns.
- (3) T=CLKRX period = (1 + CLKGDV) * P
C=CLKRX low pulse width = T/2 when CLKGDV is odd or zero and = (CLKGDV/2) * P when CLKGDV is even
D=CLKRX high pulse width = T/2 when CLKGDV is odd or zero and = (CLKGDV/2 + 1) * P when CLKGDV is even
- (4) See the TMS320C55x DSP Peripherals Overview Reference Guide (literature number [SPRU317](#)) for a description of the DX enable (DXENA) and data delay features of the McBSP.

Table 5-26. McBSP0 Switching Characteristics ^{(1) (2)} (continued)

NO.					CV _{DD} = 1.2 V CV _{DD} = 1.35 V		CV _{DD} = 1.6 V		UNIT
					MIN	MAX	MIN	MAX	
MC17	t _{en} (CKXH-DX)	Enable time, DX driven from CLKX high ⁽⁴⁾ Only applies to first bit transmitted when in Data Delay 1 or 2 (XDATDLY=01b or 10b) modes	DXENA = 0	CLKX int	-2		-4		ns
				CLKX ext	9		4		
			DXENA = 1	CLKX int	P - 2		P - 4		
				CLKX ext	P + 9		P + 4		
MC18	t _d (FXH-DXV)	Delay time, FSX high to DX valid ⁽⁴⁾ Only applies to first bit transmitted when in Data Delay 0 (XDATDLY=00b) mode.	DXENA = 0	FSX int		3	2	ns	
				FSX ext		13	8		
			DXENA = 1	FSX int		2P + 1	2P + 1		
				FSX ext		2P + 12	2P + 7		
MC19	t _{en} (FXH-DX)	Enable time, DX driven from FSX high ⁽⁴⁾ Only applies to first bit transmitted when in Data Delay 0 (XDATDLY=00b) mode	DXENA = 0	FSX int	1		0	ns	
				FSX ext	8		4		
			DXENA = 1	FSX int	P - 1		P - 3		
				FSX ext	P + 8		P + 5		

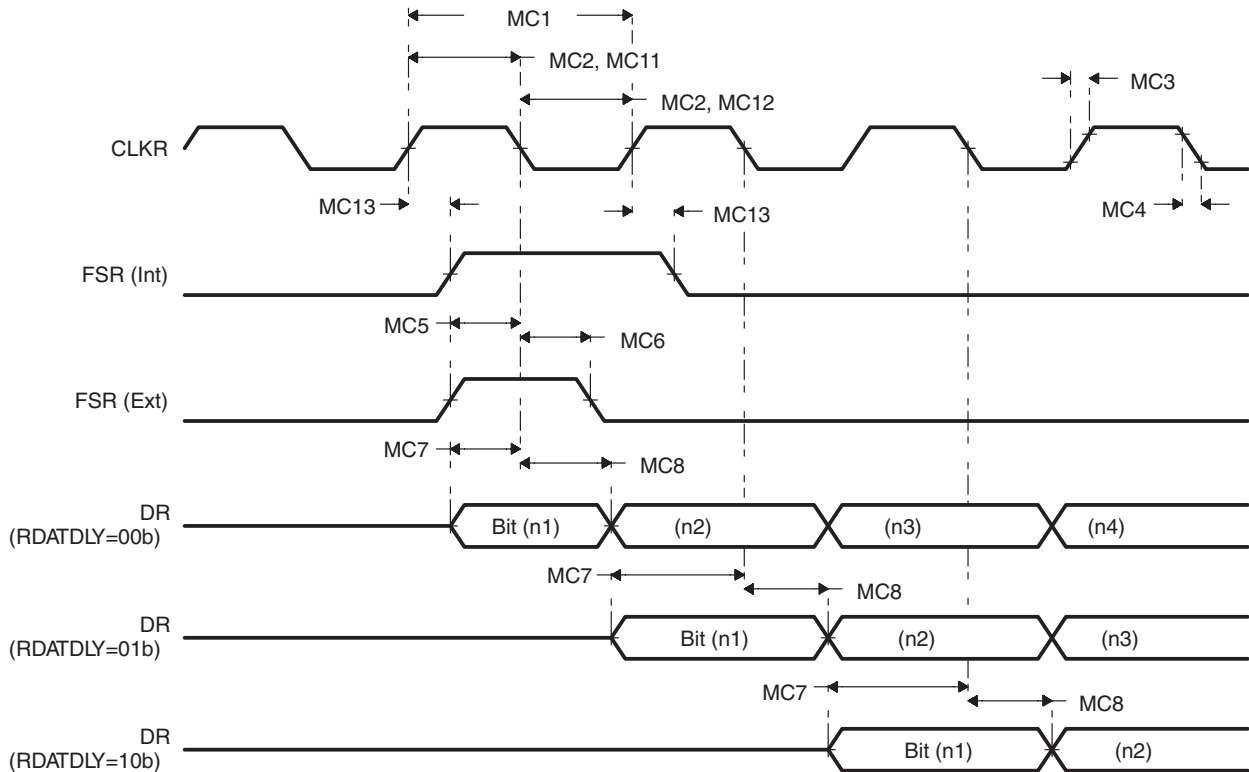


Figure 5-24. McBSP Receive Timings

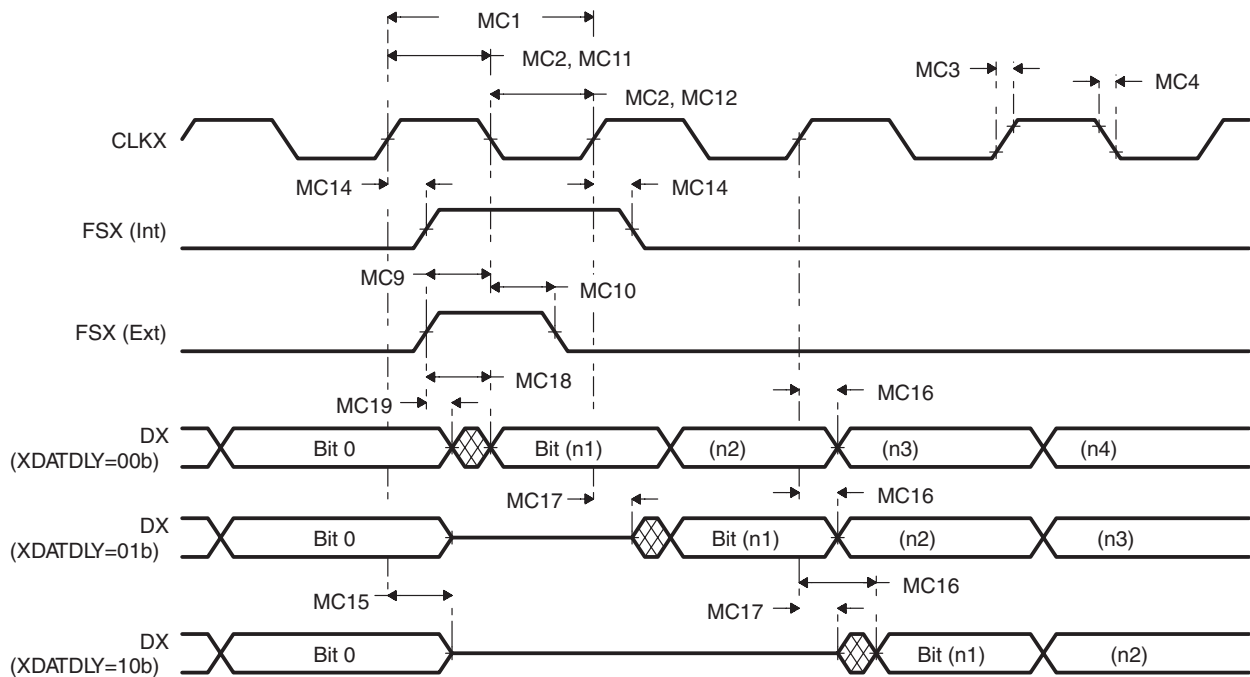


Figure 5-25. McBSP Transmit Timings

5.14.3 McBSP as SPI Master or Slave Timings

Table 5-27 to Table 5-34 assume testing over recommended operating conditions (see Figure 5-26 through Figure 5-29).

Table 5-27. McBSP as SPI Master or Slave Timing Requirements (CLKSTP = 10b, CLKXP = 0)⁽¹⁾ ⁽²⁾

NO.		CV _{DD} = 1.2 V CV _{DD} = 1.35 V		CV _{DD} = 1.6 V				UNIT		
		MASTER		SLAVE		MASTER			SLAVE	
		MIN	MAX	MIN	MAX	MIN	MAX		MIN	MAX
MC23	t _{SU} (DRV-CKXL)	Setup time, DR valid before CLKX low		15	3 - 6P	10	3 - 6P	ns		
MC24	t _H (CKXL-DRV)	Hold time, DR valid after CLKX low		0	3 + 6P	0	3 + 6P	ns		
MC25	t _{SU} (FXL-CKXH)	Setup time, FSX low before CLKX high			5		5	ns		
MC26	t _C (CKX)	Cycle time, CLKX		2P	16P	2P	16P	ns		

(1) For all SPI slave modes, CLKG is programmed as 1/2 of the CPU clock by setting CLKSM = CLKGDV = 1.

(2) P = 1/CPU clock frequency. For example, when running parts at 200 MHz, use P = 5 ns.

Table 5-28. McBSP as SPI Master or Slave Switching Characteristics (CLKSTP = 10b, CLKXP = 0)^{(1) (2)}

NO.		CV _{DD} = 1.2 V CV _{DD} = 1.35 V				CV _{DD} = 1.6 V				UNIT		
		MASTER ⁽³⁾		SLAVE		MASTER ⁽³⁾		SLAVE				
		MIN	MAX	MIN	MAX	MIN	MAX	MIN	MAX			
MC27	t _d (CKXL–FXL)	Delay time, CLKX low to FSX low ⁽⁴⁾		T - 5	T + 5			T - 4	T + 4		ns	
MC28	t _d (FXL–CKXH)	Delay time, FSX low to CLKX high ⁽⁵⁾		C - 5	C + 5			C - 4	C + 4		ns	
MC29	t _d (CKXH–DXV)	Delay time, CLKX high to DX valid		-4	6	3P + 3	5P + 15	-3	3	3P + 3	5P + 8	ns
MC30	t _{dis} (CKXL–DXHZ)	Disable time, DX high-impedance following last data bit from CLKX low		C - 4	C + 4			C - 3	C + 1		ns	
MC31	t _{dis} (FXH–DXHZ)	Disable time, DX high-impedance following last data bit from FSX high				3P + 4	3P + 19			3P + 3	3P + 11	ns
MC32	t _d (FXL–DXV)	Delay time, FSX low to DX valid				3P + 4	3P + 18			3P + 4	3P + 10	ns

- (1) For all SPI slave modes, CLKG is programmed as 1/2 of the CPU clock by setting CLKSM = CLKGDV = 1.
- (2) P = 1/CPU clock frequency. For example, when running parts at 200 MHz, use P = 5 ns.
- (3) T = CLKX period = (1 + CLKGDV) * 2P
C = CLKX low pulse width = T/2 when CLKGDV is odd or zero and = (CLKGDV/2) * 2P when CLKGDV is even
- (4) FSRP = FSXP = 1. As a SPI master, FSX is inverted to provide active-low slave-enable output. As a slave, the active-low signal input on FSX and FSR is inverted before being used internally.
CLKXM = FSXM = 1, CLKRM = FSRM = 0 for master McBSP
CLKXM = CLKRM = FSXM = FSRM = 0 for slave McBSP
- (5) FSX should be low before the rising edge of clock to enable slave devices and then begin a SPI transfer at the rising edge of the master clock (CLKX).

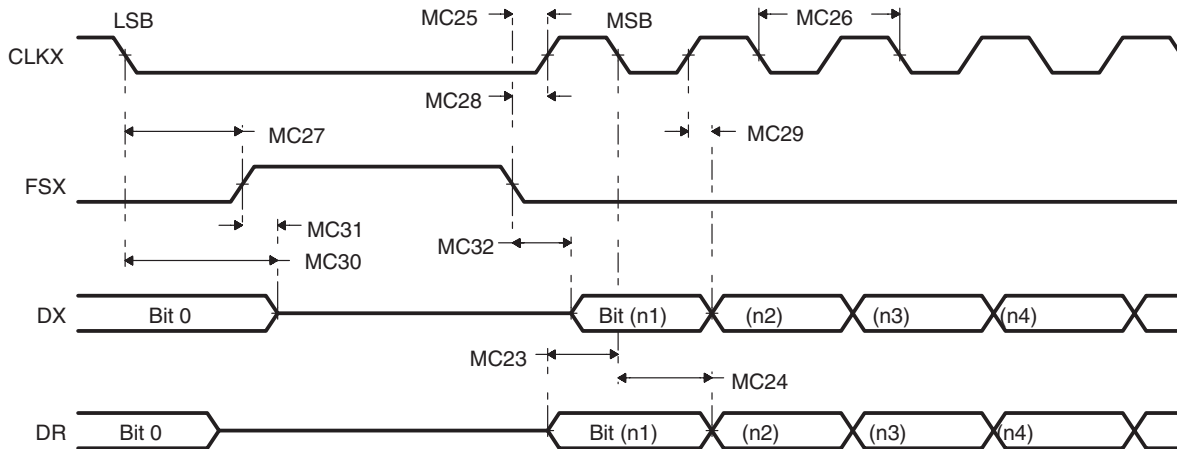


Figure 5-26. McBSP Timings as SPI Master or Slave: CLKSTP = 10b, CLKXP = 0

Table 5-29. McBSP as SPI Master or Slave Timing Requirements (CLKSTP = 11b, CLKXP = 0)^{(1) (2)}

NO.		CV _{DD} = 1.2 V CV _{DD} = 1.35 V				CV _{DD} = 1.6 V				UNIT
		MASTER		SLAVE		MASTER		SLAVE		
		MIN	MAX	MIN	MAX	MIN	MAX	MIN	MAX	
MC33	t _{su} (DRV-CKXH)	Setup time, DR valid before CLKX high		15	3 - 6P	10	3 - 6P			ns
MC34	t _h (CKXH-DRV)	Hold time, DR valid after CLKX high		0	3 + 6P	0	3 + 6P			ns
MC25	t _{su} (FXL-CKXH)	Setup time, FSX low before CLKX high			5		5			ns
MC26	t _c (CKX)	Cycle time, CLKX		2P	16P	2P	16P			ns

- (1) For all SPI slave modes, CLKG is programmed as 1/2 of the CPU clock by setting CLKSM = CLKGDV = 1.
- (2) P = 1/CPU clock frequency. For example, when running parts at 200 MHz, use P = 5 ns.

Table 5-30. McBSP as SPI Master or Slave Switching Characteristics (CLKSTP = 11b, CLKXP = 0)^{(1) (2)}

NO.		CV _{DD} = 1.2 V CV _{DD} = 1.35 V				CV _{DD} = 1.6 V				UNIT		
		MASTER ⁽³⁾		SLAVE		MASTER ⁽³⁾		SLAVE				
		MIN	MAX	MIN	MAX	MIN	MAX	MIN	MAX			
MC27	t _d (CKXL-FXL)	Delay time, CLKX low to FSX low ⁽⁴⁾		C - 5	C + 5			C - 4	C + 4	ns		
MC28	t _d (FXL-CKXH)	Delay time, FSX low to CLKX high ⁽⁵⁾		T - 5	T + 5			T - 4	T + 4	ns		
MC35	t _d (CKXL-DXV)	Delay time, CLKX low to DX valid		-4	6	3P + 3	5P + 15	-3	3	3P + 3	5P + 8	ns
MC30	t _{dis} (CKXL-DXHZ)	Disable time, DX high-impedance following last data bit from CLKX low		-4	4	3P + 4	3P + 19	-3	1	3P + 3	3P + 12	ns
MC32	t _d (FXL-DXV)	Delay time, FSX low to DX valid		D - 4	D + 4	3P + 4	3P + 18	D - 3	D + 3	3P + 4	3P + 10	ns

- (1) For all SPI slave modes, CLKG is programmed as 1/2 of the CPU clock by setting CLKSM = CLKGDV = 1.
- (2) P = 1/CPU clock frequency. For example, when running parts at 200 MHz, use P = 5 ns.
- (3) T = CLKX period = (1 + CLKGDV) * 2P
C = CLKX low pulse width = T/2 when CLKGDV is odd or zero and = (CLKGDV/2) * 2P when CLKGDV is even
- (4) FSRP = FSXP = 1. As a SPI master, FSX is inverted to provide active-low slave-enable output. As a slave, the active-low signal input on FSX and FSR is inverted before being used internally.
CLKXM = FSXM = 1, CLKRM = FSRM = 0 for master McBSP
CLKXM = CLKRM = FSXM = FSRM = 0 for slave McBSP
- (5) FSX should be low before the rising edge of clock to enable slave devices and then begin a SPI transfer at the rising edge of the master clock (CLKX).

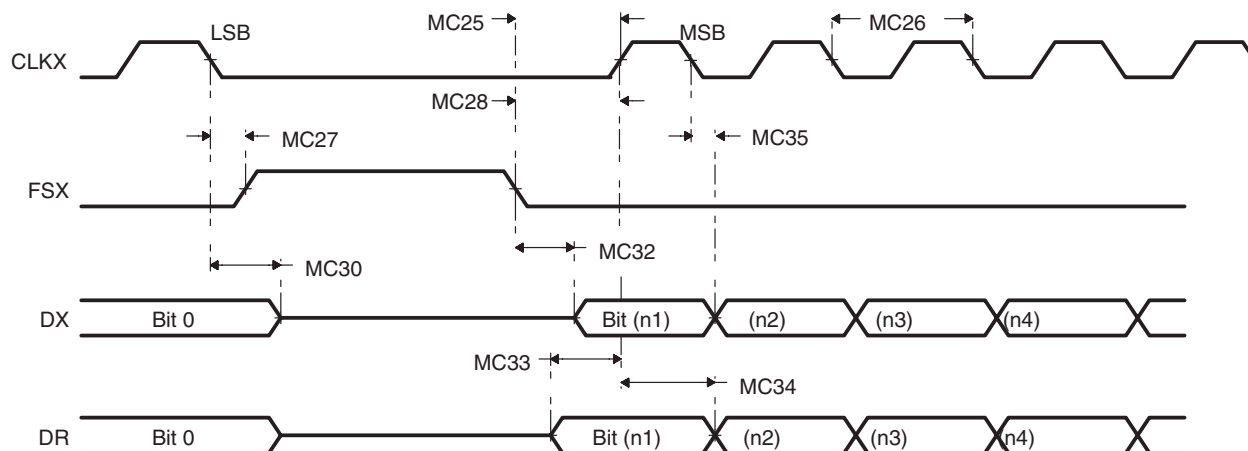


Figure 5-27. McBSP Timings as SPI Master or Slave: CLKSTP = 11b, CLKXP = 0

Table 5-31. McBSP as SPI Master or Slave Timing Requirements (CLKSTP = 10b, CLKXP = 1)^{(1) (2)}

NO.		CV _{DD} = 1.2 V CV _{DD} = 1.35 V				CV _{DD} = 1.6 V				UNIT
		MASTER		SLAVE		MASTER		SLAVE		
		MIN	MAX	MIN	MAX	MIN	MAX	MIN	MAX	
MC33	t _{su} (DRV-CKXH)	Setup time, DR valid before CLKX high		15	3 - 6P	10	3 - 6P			ns
MC34	t _h (CKXH-DRV)	Hold time, DR valid after CLKX high		0	3 + 6P	0	3 + 6P			ns
MC36	t _{su} (FXL-CKXL)	Setup time, FSX low before CLKX low			5		5			ns
MC26	t _c (CKX)	Cycle time, CLKX		2P	16P	2P	16P			ns

- (1) For all SPI slave modes, CLKG is programmed as 1/2 of the CPU clock by setting CLKSM = CLKGDV = 1.
- (2) P = 1/CPU clock frequency. For example, when running parts at 200 MHz, use P = 5 ns.

Table 5-32. McBSP as SPI Master or Slave Switching Characteristics (CLKSTP = 10b, CLKXP = 1)^{(1) (2)}

NO.		CV _{DD} = 1.2 V CV _{DD} = 1.35 V				CV _{DD} = 1.6 V				UNIT		
		MASTER ⁽³⁾		SLAVE		MASTER ⁽³⁾		SLAVE				
		MIN	MAX	MIN	MAX	MIN	MAX	MIN	MAX			
MC37	t _d (CKXH-FXL)	Delay time, CLKX high to FSX low ⁽⁴⁾		T - 5	T + 5			T - 4	T + 4		ns	
MC38	t _d (FXL-CKXL)	Delay time, FSX low to CLKX low ⁽⁵⁾		D - 5	D + 5			D - 4	D + 4		ns	
MC35	t _d (CKXL-DXV)	Delay time, CLKX low to DX valid		-4	6	3P + 3	5P + 15	-3	3	3P + 3	5P + 8	ns
MC39	t _{dis} (CKXH-DXHZ)	Disable time, DX high-impedance following last data bit from CLKX high		D - 4	D + 4			D - 3	D + 1		ns	
MC31	t _{dis} (FXH-DXHZ)	Disable time, DX high-impedance following last data bit from FSX high				3P + 4	3P + 19			3P + 3	3P + 11	ns
MC32	t _d (FXL-DXV)	Delay time, FSX low to DX valid				3P + 4	3P + 18			3P + 4	3P + 10	ns

- (1) For all SPI slave modes, CLKG is programmed as 1/2 of the CPU clock by setting CLKSM = CLKGDV = 1.
- (2) P = 1/CPU clock frequency. For example, when running parts at 200 MHz, use P = 5 ns.
- (3) T = CLKX period = (1 + CLKGDV) * 2P
C = CLKX low pulse width = T/2 when CLKGDV is odd or zero and = (CLKGDV/2) * 2P when CLKGDV is even
- (4) FSRP = FSXP = 1. As a SPI master, FSX is inverted to provide active-low slave-enable output. As a slave, the active-low signal input on FSX and FSR is inverted before being used internally.
CLKXM = FSXM = 1, CLKRM = FSRM = 0 for master McBSP
CLKXM = CLKRM = FSXM = FSRM = 0 for slave McBSP
- (5) FSX should be low before the rising edge of clock to enable slave devices and then begin a SPI transfer at the rising edge of the master clock (CLKX).

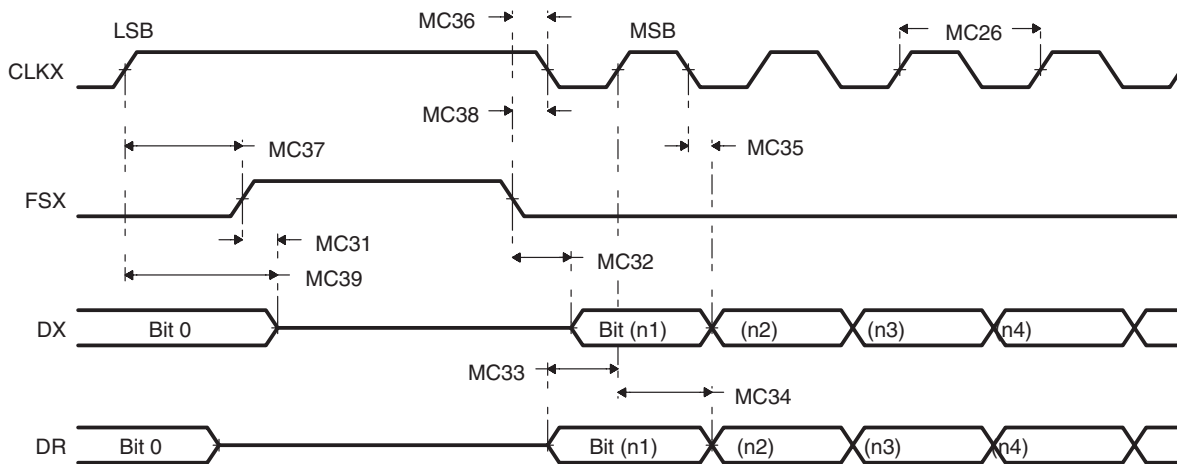


Figure 5-28. McBSP Timings as SPI Master or Slave: CLKSTP = 10b, CLKXP = 1

Table 5-33. McBSP as SPI Master or Slave Timing Requirements (CLKSTP = 11b, CLKXP = 1)^{(1) (2)}

NO.			CV _{DD} = 1.2 V CV _{DD} = 1.35 V		CV _{DD} = 1.6 V		UNIT				
			MASTER		SLAVE			MASTER		SLAVE	
			MIN	MAX	MIN	MAX		MIN	MAX	MIN	MAX
MC23	t _{su} (DRV-CKXL)	Setup time, DR valid before CLKX low	15		3 - 6P		10		3 - 6P		ns
MC24	t _h (CKXL-DRV)	Hold time, DR valid after CLKX low	0		3 + 6P		0		3 + 6P		ns
MC36	t _{su} (FXL-CKXL)	Setup time, FSX low before CLKX low			5				5		ns
MC26	t _c (CKX)	Cycle time, CLKX	2P		16P		2P		16P		ns

- (1) For all SPI slave modes, CLKG is programmed as 1/2 of the CPU clock by setting CLKSM = CLKGDV = 1.
- (2) P = 1/CPU clock frequency. For example, when running parts at 200 MHz, use P = 5 ns.

Table 5-34. McBSP as SPI Master or Slave Switching Characteristics (CLKSTP = 11b, CLKXP = 1)^{(1) (2)}

NO.			CV _{DD} = 1.2 V CV _{DD} = 1.35 V				CV _{DD} = 1.6 V				UNIT
			MASTER ⁽³⁾		SLAVE		MASTER ⁽³⁾		SLAVE		
			MIN	MAX	MIN	MAX	MIN	MAX	MIN	MAX	
MC37	t _d (CKXH-FXL)	Delay time, CLKX high to FSX low ⁽⁴⁾	D - 5	D + 5			D - 4	D + 4			ns
MC38	t _d (FXL-CKXL)	Delay time, FSX low to CLKX low ⁽⁵⁾	T - 5	T + 5			T - 4	T + 4			ns
MC29	t _d (CKXH-DXV)	Delay time, CLKX high to DX valid	-4	6	3P + 3	5P + 15	-3	3	3P + 3	5P + 8	ns
MC39	t _{dis} (CKXH-DXHZ)	Disable time, DX high-impedance following last data bit from CLKX high	-4	4	3P + 4	3P + 19	-3	1	3P + 3	3P + 12	ns
MC32	t _d (FXL-DXV)	Delay time, FSX low to DX valid	C - 4	C + 4	3P + 4	3P + 18	C - 3	C + 3	3P + 4	3P + 10	ns

- (1) For all SPI slave modes, CLKG is programmed as 1/2 of the CPU clock by setting CLKSM = CLKGDV = 1.
- (2) P = 1/CPU clock frequency. For example, when running parts at 200 MHz, use P = 5 ns.
- (3) T = CLKX period = (1 + CLKGDV) * 2P
C = CLKX low pulse width = T/2 when CLKGDV is odd or zero and = (CLKGDV/2) * 2P when CLKGDV is even
- (4) FSRP = FSXP = 1. As a SPI master, FSX is inverted to provide active-low slave-enable output. As a slave, the active-low signal input on FSX and FSR is inverted before being used internally.
CLKXM = FSXM = 1, CLKRM = FSRM = 0 for master McBSP
CLKXM = CLKRM = FSXM = FSRM = 0 for slave McBSP
- (5) FSX should be low before the rising edge of clock to enable slave devices and then begin a SPI transfer at the rising edge of the master clock (CLKX).

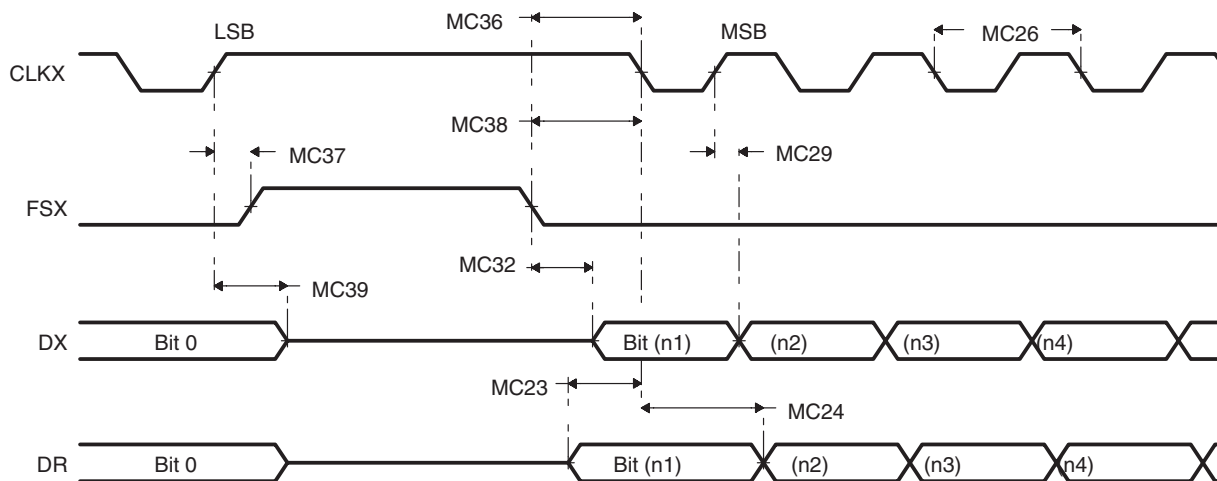


Figure 5-29. McBSP Timings as SPI Master or Slave: CLKSTP = 11b, CLKXP = 1

5.14.4 McBSP General-Purpose I/O Timings

Table 5-35 and Table 5-36 assume testing over recommended operating conditions (see Figure 5-30).

Table 5-35. McBSP General-Purpose I/O Timing Requirements

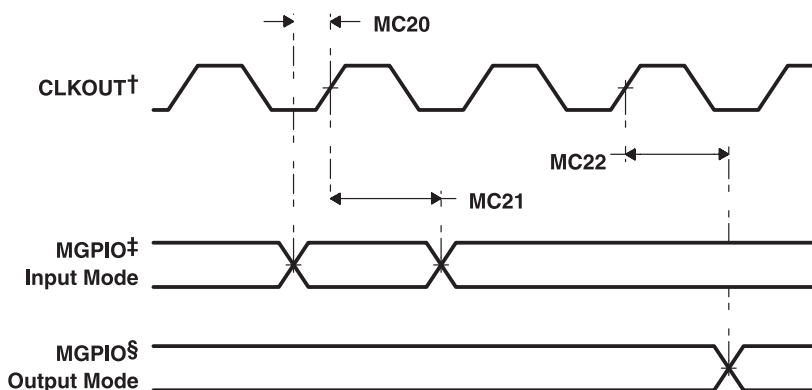
NO.		CV _{DD} = 1.2 V CV _{DD} = 1.35 V		CV _{DD} = 1.6 V		UNIT
		MIN	MAX	MIN	MAX	
MC20	t _{su} (MGPIO–COH) Setup time, MGPIOx input mode before CLKOUT high ⁽¹⁾	7		7		ns
MC21	t _h (COH–MGPIO) Hold time, MGPIOx input mode after CLKOUT high ⁽¹⁾	0		0		ns

(1) MGPIOx refers to CLKRx, FSRx, DRx, CLKXx, or FSXx when configured as a general-purpose input.

Table 5-36. McBSP General-Purpose I/O Switching Characteristics

NO.		CV _{DD} = 1.2 V CV _{DD} = 1.35 V		CV _{DD} = 1.6 V		UNIT
		MIN	MAX	MIN	MAX	
MC22	t _d (COH–MGPIO) Delay time, CLKOUT high to MGPIOx output mode ⁽¹⁾	0	7	0	7	ns

(1) MGPIOx refers to CLKRx, FSRx, CLKXx, FSXx, or DXx when configured as a general-purpose output.



† CLKOUT reflects the CPU clock.
 ‡ MGPIOx refers to CLKRx, FSRx, DRx, CLKXx, or FSXx when configured as a general-purpose input.
 § MGPIOx refers to CLKRx, FSRx, CLKXx, FSXx, or DXx when configured as a general-purpose output.

Figure 5-30. McBSP General-Purpose I/O Timings

5.15 Enhanced Host-Port Interface (EHPI) Timings

Table 5-37 and Table 5-38 assume testing over recommended operating conditions (see Figure 5-31 through Figure 5-36).

Table 5-37. EHPI Timing Requirements

NO.			CV _{DD} = 1.2 V CV _{DD} = 1.35 V		CV _{DD} = 1.6 V		UNIT
			MIN	MAX	MIN	MAX	
E11	t _{su} (HASL–HDSL)	Setup time, $\overline{\text{HAS}}$ low before $\overline{\text{HDS}}$ low	4		4		ns
E12	t _h (HDSL–HASL)	Hold time, $\overline{\text{HAS}}$ low after $\overline{\text{HDS}}$ low	3		3		ns
E13	t _{su} (HCNTLV–HDSL)	Setup time, (HR $\overline{\text{W}}$, HA[13:0], $\overline{\text{HBE}}$ [1:0], HCNTL[1:0]) valid before $\overline{\text{HDS}}$ low	2		2		ns
E14	t _h (HDSL–HCNTLV)	Hold time, (HR $\overline{\text{W}}$, HA[13:0], $\overline{\text{HBE}}$ [1:0], HCNTL[1:0]) invalid after $\overline{\text{HDS}}$ low	4		4		ns
E15	t _w (HDSL)	Pulse duration, $\overline{\text{HDS}}$ low	4P ⁽¹⁾		4P ⁽¹⁾		ns
E16	t _w (HDSH)	Pulse duration, $\overline{\text{HDS}}$ high	4P ⁽¹⁾		4P ⁽¹⁾		ns
E17	t _{su} (HDV–HDSH)	Setup time, HD bus write data valid before $\overline{\text{HDS}}$ high	3		3		ns
E18	t _h (HDSH–HDIV)	Hold time, HD bus write data invalid after $\overline{\text{HDS}}$ high	4		4		ns
E19	t _{su} (HCNTLV–HASL)	Setup time, (HR $\overline{\text{W}}$, $\overline{\text{HBE}}$ [1:0], HCNTL[1:0]) valid before $\overline{\text{HAS}}$ low	3		3		ns
E20	t _h (HASL–HCNTLV)	Hold time, (HR $\overline{\text{W}}$, $\overline{\text{HBE}}$ [1:0], HCNTL[1:0]) valid after $\overline{\text{HAS}}$ low	4		4		ns

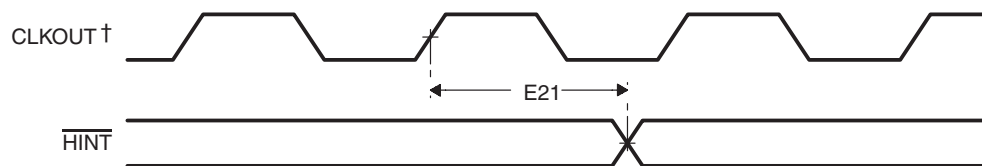
(1) P = 1/CPU clock frequency in ns. For example, when running parts at 200 MHz, use P = 5 ns.

Table 5-38. EHPI Switching Characteristics

NO.			CV _{DD} = 1.2 V CV _{DD} = 1.35 V		CV _{DD} = 1.6 V		UNIT
			MIN	MAX	MIN	MAX	
E1	t _{en} (HDSL–HDD)M	Enable time, HDS low to HD bus enabled (memory access)	6	26	6	19	ns
E2	t _d (HDSL–HDV)M	Delay time, HDS low to HD bus read data valid (memory access)	14P ⁽¹⁾ (2)		14P ⁽¹⁾ (2)		ns
E4	t _{en} (HDSL–HDD)R	Enable time, HDS low to HD enabled (register access)	6	26	6	19	ns
E5	t _d (HDSL–HDV)R	Delay time, HDS low to HD bus read data valid (register access)		26		19	ns
E6	t _{dis} (HDSH–HDIV)	Disable time, HDS high to HD bus read data invalid	6	26	6	19	ns
E7	t _d (HDSL–HRDY)L	Delay time, HDS low to HRDY low (during reads)		18		15	ns
E8	t _d (HDV–HRDY)H	Delay time, HD bus valid to HRDY high (during reads)	2		2		ns
E9	t _d (HDSH–HRDY)L	Delay time, HDS high to HRDY low (during writes)		18		15	ns
E10	t _d (HDSH–HRDY)H	Delay time, HDS high to HRDY high (during writes)	14P ⁽¹⁾ (2)		14P ⁽¹⁾ (2)		ns
E21	t _d (COH–HINT)	Delay time, CLKOUT high to HINT high/low	0	11	0	8	ns

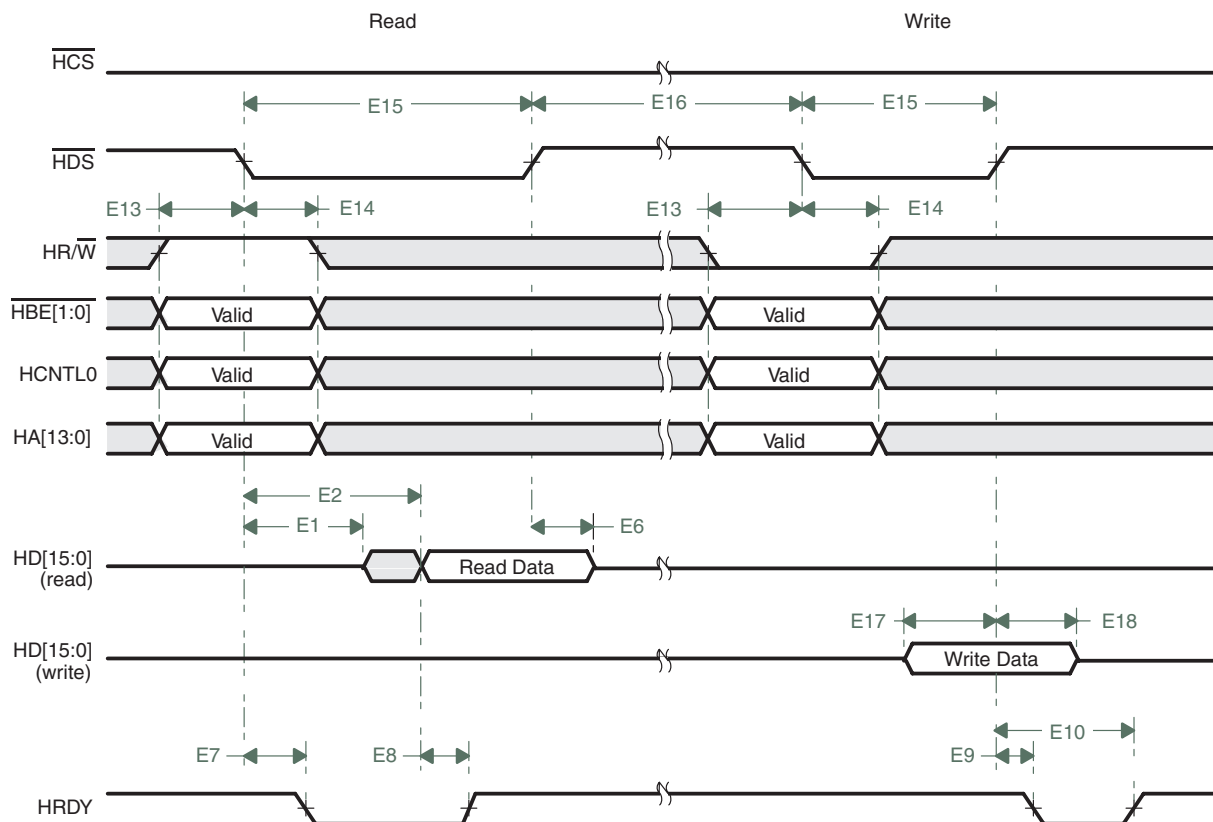
(1) P = 1/CPU clock frequency in ns. For example, when running parts at 200 MHz, use P = 5 ns.

(2) EHPI latency is dependent on the number of DMA channels active, their priorities and their source/destination ports. The latency shown assumes no competing CPU or DMA activity to the memory resource being accessed by the EHPI.



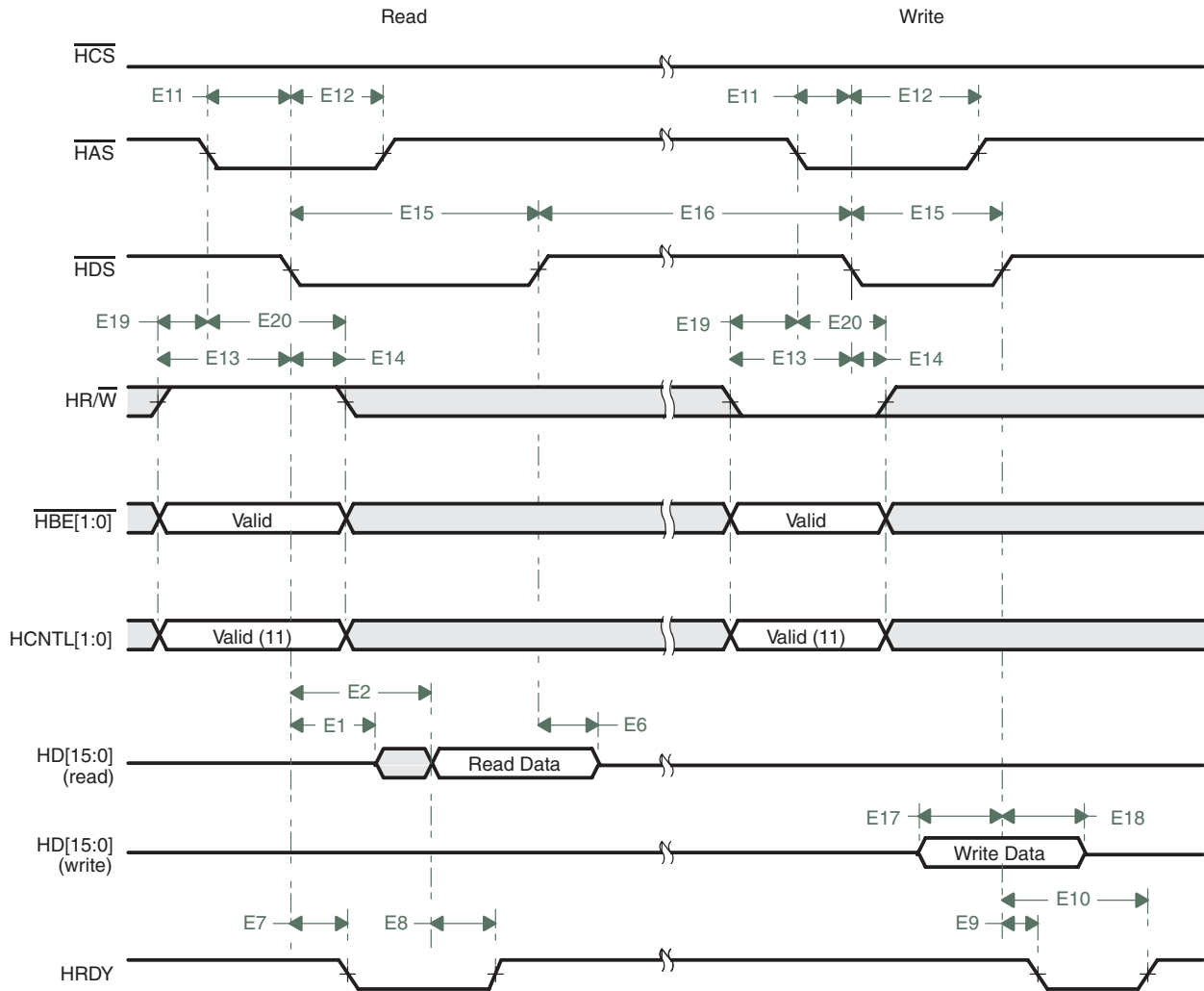
† CLKOUT reflects the CPU clock.

Figure 5-31. $\overline{\text{HINT}}$ Timings



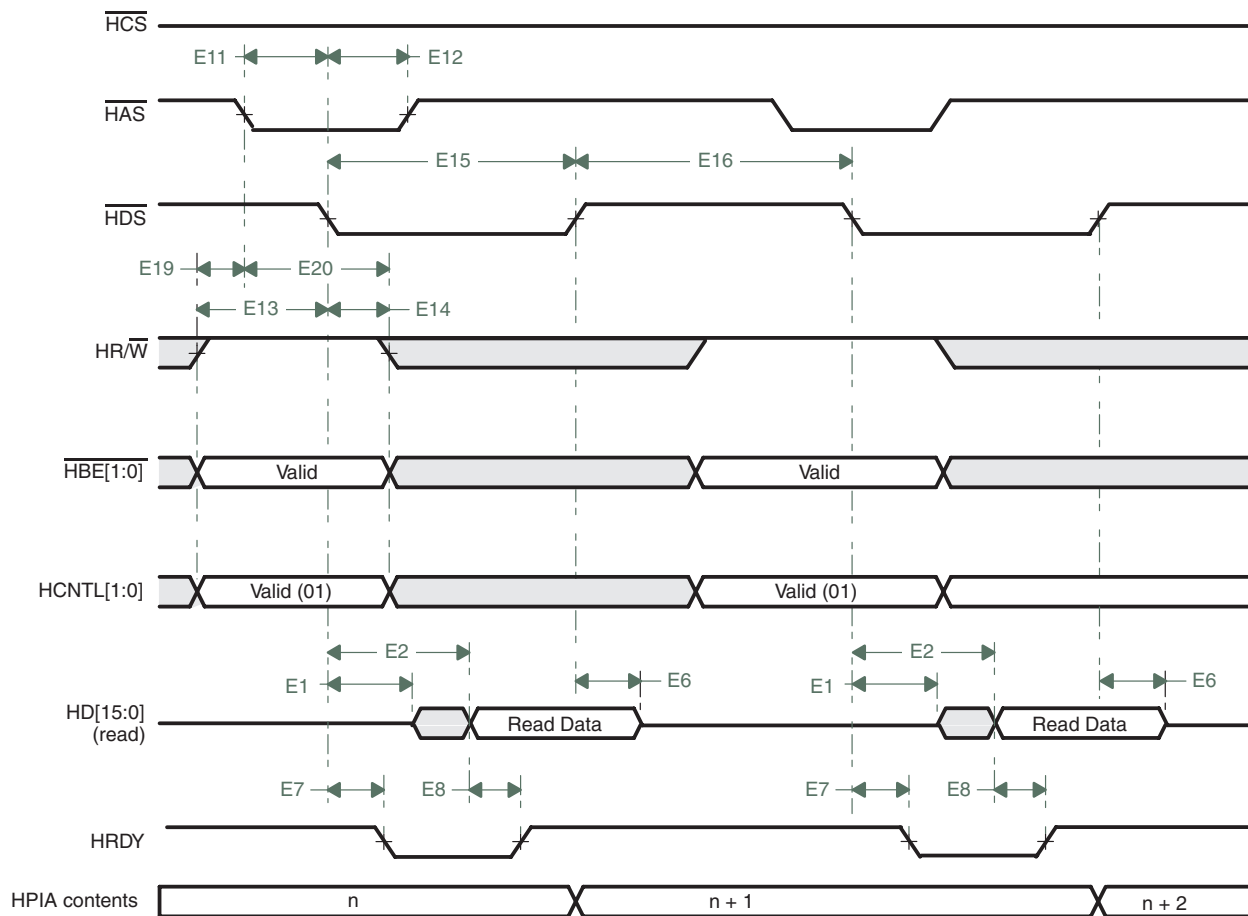
- NOTES: A. Any non-multiplexed access with HCNTL0 low will result in HPIC register access. For data read or write, HCNTL0 must stay high during the EHPI access.
- B. The falling edge of HCS must occur concurrent with or before the falling edge of HDS. The rising edge of HCS must occur concurrent with or after the rising edge of HDS. If HDS1 and/or HDS2 are tied permanently active and HCS is used as a strobe, the timing requirements shown for HDS apply to HCS. HRDY is always driven to the same value as its internal state.

Figure 5-32. EHPI Nonmultiplexed Read/Write Timings



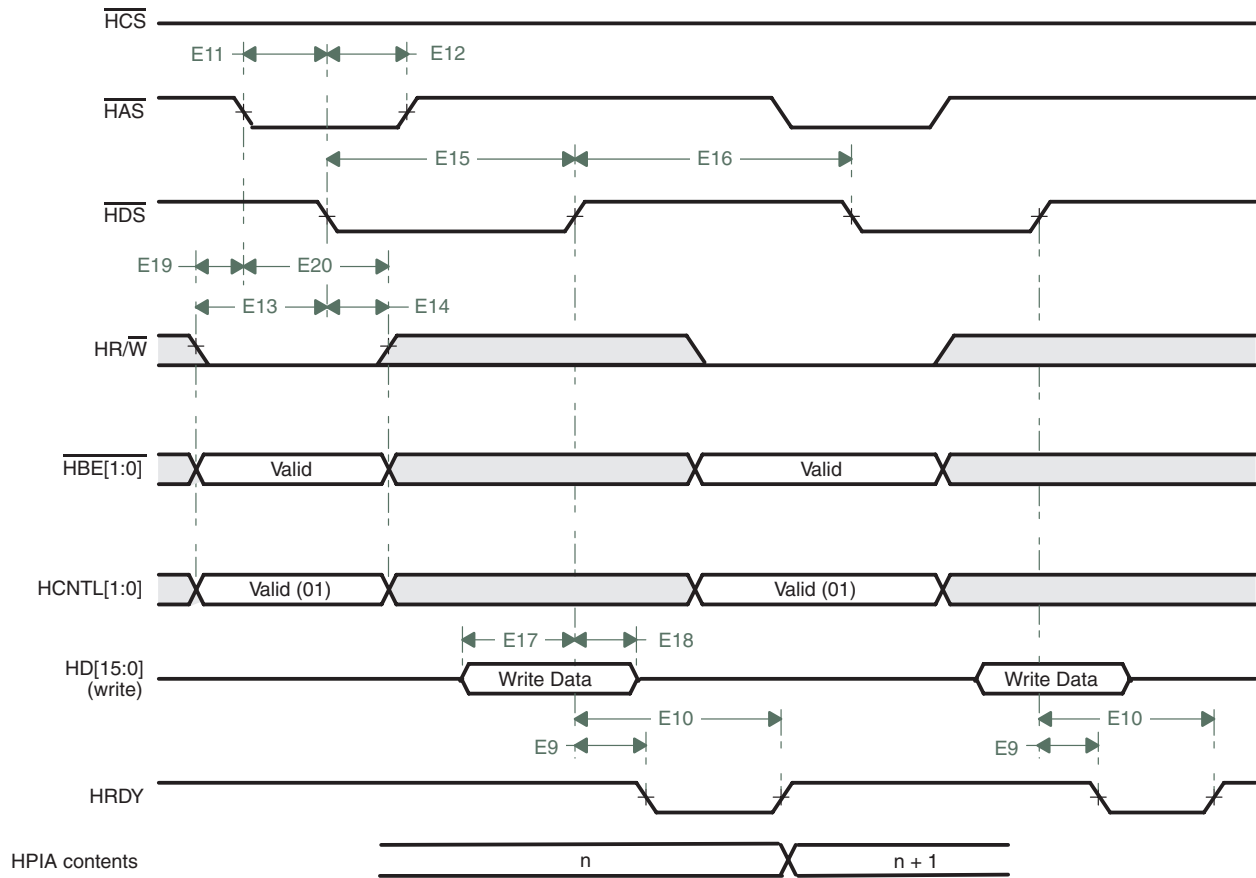
NOTE: The falling edge of $\overline{\text{HCS}}$ must occur concurrent with or before the falling edge of $\overline{\text{HDS}}$. The rising edge of $\overline{\text{HCS}}$ must occur concurrent with or after the rising edge of $\overline{\text{HDS}}$. If $\overline{\text{HDS1}}$ and/or $\overline{\text{HDS2}}$ are tied permanently active and $\overline{\text{HCS}}$ is used as a strobe, the timing requirements shown for $\overline{\text{HDS}}$ apply to $\overline{\text{HCS}}$. $\overline{\text{HRDY}}$ is always driven to the same value as its internal state.

Figure 5-33. EHPI Multiplexed Memory (HPID) Read/Write Timings Without Autoincrement



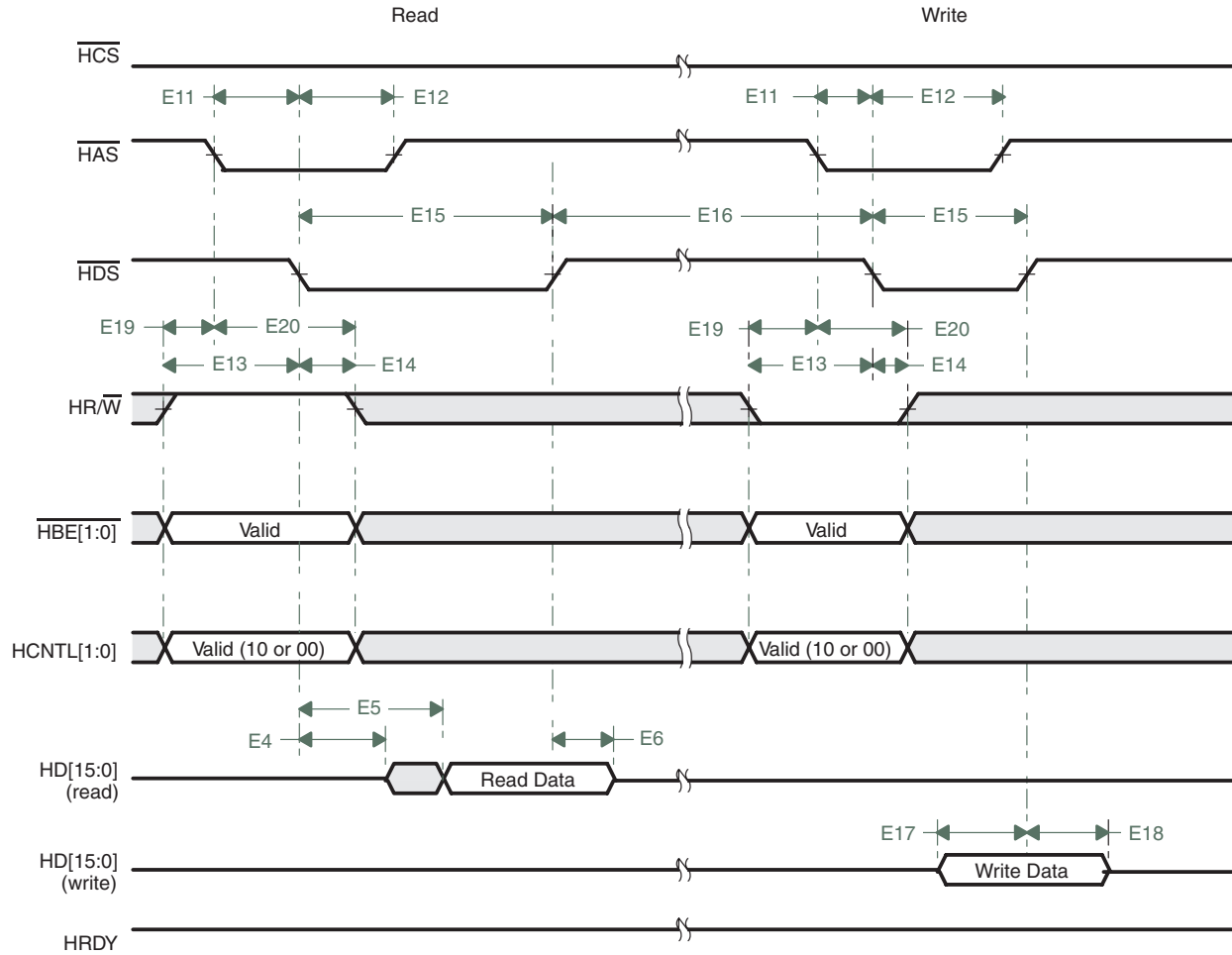
- NOTES:
- A. During autoincrement mode, although the EHPI internally increments the memory address, reads of the HPIA register by the host will always indicate the base address.
 - B. In autoincrement mode, if $\overline{HBE[1:0]}$ are used to access the data as 8-bit-wide units, the HPIA increments only following each high byte ($\overline{HBE1}$ low) access.
 - C. The falling edge of \overline{HCS} must occur concurrent with or before the falling edge of \overline{HDS} . The rising edge of \overline{HCS} must occur concurrent with or after the rising edge of \overline{HDS} . If $\overline{HDS1}$ and/or $\overline{HDS2}$ are tied permanently active and \overline{HCS} is used as a strobe, the timing requirements shown for \overline{HDS} apply to \overline{HCS} . \overline{HRDY} is always driven to the same value as its internal state.

Figure 5-34. EHPI Multiplexed Memory (HPID) Read Timings With Autoincrement



- NOTES: A. During autoincrement mode, although the EHPI internally increments the memory address, reads of the HPIA register by the host will always indicate the base address.
 B. The falling edge of \overline{HCS} must occur concurrent with or before the falling edge of \overline{HDS} . The rising edge of \overline{HCS} must occur concurrent with or after the rising edge of \overline{HDS} . If $\overline{HDS1}$ and/or $\overline{HDS2}$ are tied permanently active and \overline{HCS} is used as a strobe, the timing requirements shown for \overline{HDS} apply to \overline{HCS} . $HRDY$ is always driven to the same value as its internal state.

Figure 5-35. EHPI Multiplexed Memory (HPID) Write Timings With Autoincrement



- NOTES: A. During autoincrement mode, although the EHPI internally increments the memory address, reads of the HPIA register by the host will always indicate the base address.
- B. The falling edge of HCS must occur concurrent with or before the falling edge of HDS. The rising edge of HCS must occur concurrent with or after the rising edge of HDS. If HDS1 and/or HDS2 are tied permanently active and HCS is used as a strobe, the timing requirements shown for HDS apply to HCS. HRDY is always driven to the same value as its internal state.

Figure 5-36. EHPI Multiplexed Register Read/Write Timings

5.16 I²C Timings

Table 5-39 and Table 5-39 assume testing over recommended operating conditions (see Figure 5-37 and Figure 5-38).

Table 5-39. I²C Signals (SDA and SCL) Timing Requirements

NO.			CV _{DD} = 1.2 V CV _{DD} = 1.35 V				CV _{DD} = 1.6 V				UNIT
			STANDARD MODE		FAST MODE		STANDARD MODE		FAST MODE		
			MIN	MAX	MIN	MAX	MIN	MAX	MIN	MAX	
IC1	t _c (SCL)	Cycle time, SCL	10		2.5		10		2.5		μs
IC2	t _{su} (SCLH–SDAL)	Setup time, SCL high before SDA low for a repeated START condition	4.7		0.6		4.7		0.6		μs
IC3	t _h (SCLL–SDAL)	Hold time, SCL low after SDA low for a START and a repeated START condition	4		0.6		4		0.6		μs
IC4	t _w (SCLL)	Pulse duration, SCL low	4.7		1.3		4.7		1.3		μs
IC5	t _w (SCLH)	Pulse duration, SCL high	4		0.6		4		0.6		μs
IC6	t _{su} (SDA–SCLH)	Setup time, SDA valid before SCL high	250		100 ⁽¹⁾		250		100 ⁽¹⁾		ns
IC7	t _h (SDA–SCLL)	Hold time, SDA valid after SCL low	0 ⁽²⁾		0 ⁽²⁾	0.9 ⁽³⁾	0 ⁽²⁾		0 ⁽²⁾	0.9 ⁽³⁾	μs
IC8	t _w (SDAH)	Pulse duration, SDA high between STOP and START conditions	4.7		1.3		4.7		1.3		μs
IC9	t _r (SDA)	Rise time, SDA	1000		20 + 0.1C _b ⁽⁴⁾	300	1000		20 + 0.1C _b ⁽⁴⁾	300	ns
IC10	t _r (SCL)	Rise time, SCL	1000		20 + 0.1C _b ⁽⁴⁾	300	1000		20 + 0.1C _b ⁽⁴⁾	300	ns
IC11	t _f (SDA)	Fall time, SDA	300		20 + 0.1C _b ⁽⁴⁾	300	300		20 + 0.1C _b ⁽⁴⁾	300	ns
IC12	t _f (SCL)	Fall time, SCL	300		20 + 0.1C _b ⁽⁴⁾	300	300		20 + 0.1C _b ⁽⁴⁾	300	ns
IC13	t _{su} (SCLH–SDAH)	Setup time, SCL high before SDA high (for STOP condition)	4		0.6		4		0.6		μs
IC14	t _w (SP)	Pulse duration, spike (must be suppressed)			0	50			0	50	ns
IC15	C _b ⁽⁴⁾	Capacitive load for each bus line		400		400		400		400	pF

- (1) A Fast-mode I²C-bus device can be used in a Standard-mode I²C-bus system, but the requirement t_{su}(SDA-SCLH) ≥ 250 ns must then be met. This will automatically be the case if the device does not stretch the LOW period of the SCL signal. If such a device does stretch the LOW period of the SCL signal, it must output the next data bit to the SDA line tr max + t_{su}(SDA-SCLH) = 1000 + 250 = 1250 ns (according to the Standard-mode I²C-Bus Specification) before the SCL line is released.
- (2) A device must internally provide a hold time of at least 300 ns for the SDA signal (referred to the V_{IHmin} of the SCL signal) to bridge the undefined region of the falling edge of SCL.
- (3) The maximum t_h(SDA-SCLL) has only to be met if the device does not stretch the LOW period [t_w(SCLL)] of the SCL signal.
- (4) C_b = total capacitance of one bus line in pF. If mixed with HS-mode devices, faster fall-times are allowed.

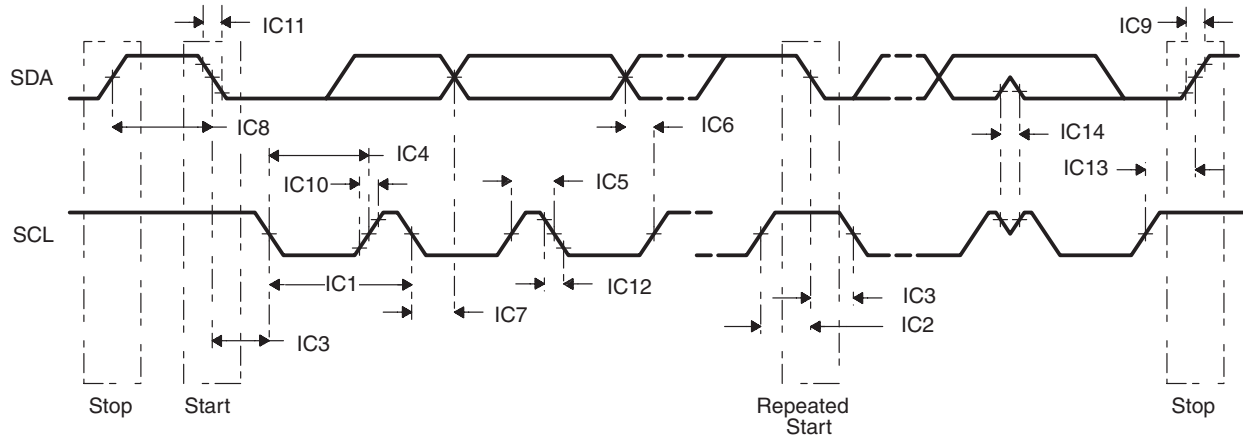


Figure 5-37. I²C Receive Timings

Table 5-40. I²C Signals (SDA and SCL) Timing Requirements

NO.			CV _{DD} = 1.2 V CV _{DD} = 1.35 V				CV _{DD} = 1.6 V				UNIT		
			STANDARD MODE		FAST MODE		STANDARD MODE		FAST MODE				
			MIN	MAX	MIN	MAX	MIN	MAX	MIN	MAX			
IC16	t _{c(SCL)}	Cycle time, SCL	10		2.5		10		2.5		μs		
IC17	t _{d(SCLH-SDAL)}	Delay time, SCL high to SDA low for a repeated START condition	4.7		0.6		4.7		0.6		μs		
IC18	t _{d(SDAL-SCLL)}	Delay time, SDA low to SCL low for a START and a repeated START condition	4		0.6		4		0.6		μs		
IC19	t _{w(SCLL)}	Pulse duration, SCL low	4.7		1.3		4.7		1.3		μs		
IC20	t _{w(SCLH)}	Pulse duration, SCL high	4		0.6		4		0.6		μs		
IC21	t _{d(SDA-SCLH)}	Delay time, SDA valid to SCL high	250		100		250		100		ns		
IC22	t _{v(SCLL-SDAV)}	Valid time, SDA valid after SCL low	0		0	0.9	0		0	0.9	μs		
IC23	t _{w(SDAH)}	Pulse duration, SDA high between STOP and START conditions	4.7		1.3		4.7		1.3		μs		
IC24	t _{r(SDA)}	Rise time, SDA		1000		20 + 0.1C _b ⁽¹⁾	300		1000		20 + 0.1C _b ⁽¹⁾	300	ns
IC25	t _{r(SCL)}	Rise time, SCL		1000		20 + 0.1C _b ⁽¹⁾	300		1000		20 + 0.1C _b ⁽¹⁾	300	ns
IC26	t _{f(SDA)}	Fall time, SDA		300		20 + 0.1C _b ⁽¹⁾	300		300		20 + 0.1C _b ⁽¹⁾	300	ns
IC27	t _{f(SCL)}	Fall time, SCL		300		20 + 0.1C _b ⁽¹⁾	300		300		20 + 0.1C _b ⁽¹⁾	300	ns
IC28	t _{d(SCLH-SDAH)}	Delay time, SCL high to SDA high for a STOP condition	4		0.6		4		0.6		μs		
IC29	C _p	Capacitance for each I ² C pin		10		10			10		10	pF	

(1) C_b = total capacitance of one bus line in pF. If mixed with HS-mode devices, faster fall-times are allowed.

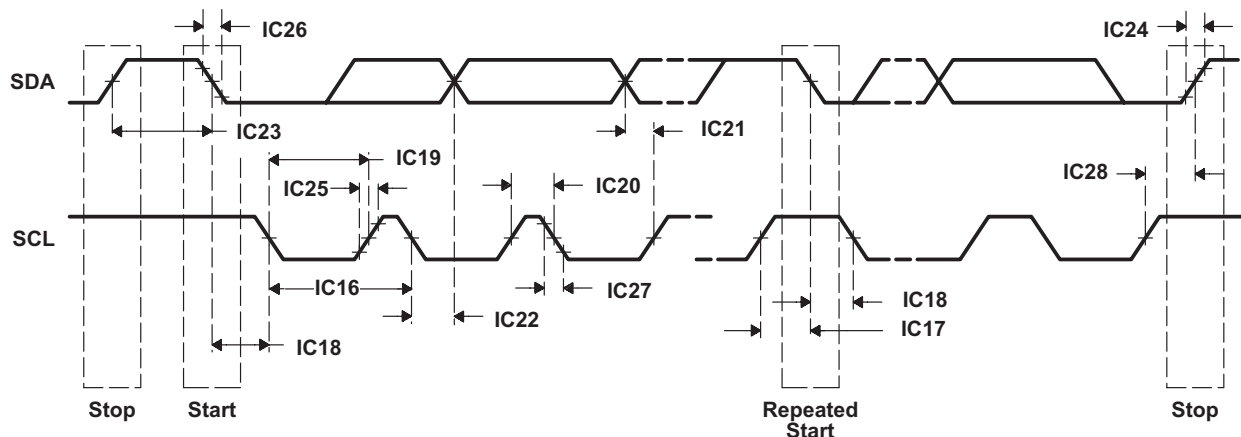


Figure 5-38. I²C Transmit Timings

5.17 Universal Serial Bus (USB) Timings

Table 5-41 assumes testing over recommended operating conditions (see Figure 5-39 and Figure 5-40).

Table 5-41. Universal Serial Bus (USB) Characteristics

NO.			CV _{DD} = 1.2 V CV _{DD} = 1.35 V			CV _{DD} = 1.6 V			UNIT	
			FULL SPEED 12Mbps			FULL SPEED 12Mbps				
			MIN	TYP	MAX	MIN	TYP	MAX		
U1	t _r	Rise time of DP and DN signals ⁽¹⁾	4		20		4		20	ns
U2	t _f	Fall time of DP and DN signals ⁽¹⁾	4		20		4		20	ns
	t _{RFM}	Rise/Fall time matching ⁽²⁾	90		111.11		90		111.11	%
	V _{CRS}	Output signal cross-over voltage ⁽¹⁾	1.3		2		1.3		2	V
	t _{jr}	Differential propagation jitter ^{(3) (4)}	-2		2		-2		2	ns
	f _{op}	Operating frequency (full speed mode)			12				12	Mb/s
U3	R _{s(DP)}	Series resistor			24				24	W
U4	R _{s(DN)}	Series resistor			24				24	W
U5	C _{edge(DP)}	Edge rate control capacitor			22				22	pF
U6	C _{edge(DN)}	Edge rate control capacitor			22				22	pF

- (1) C_L = 50 pF
- (2) (t_r/t_f) x 100
- (3) t_{px(1)} - t_{px(0)}
- (4) USB PLL is susceptible to power supply ripple, refer to recommend operating conditions for allowable supply ripple to meet the USB peak-to-peak jitter specification.

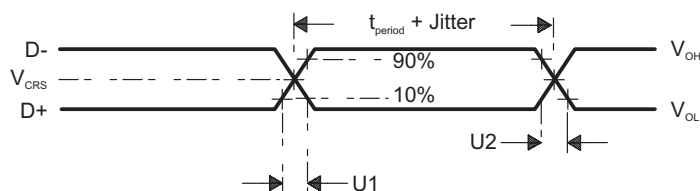
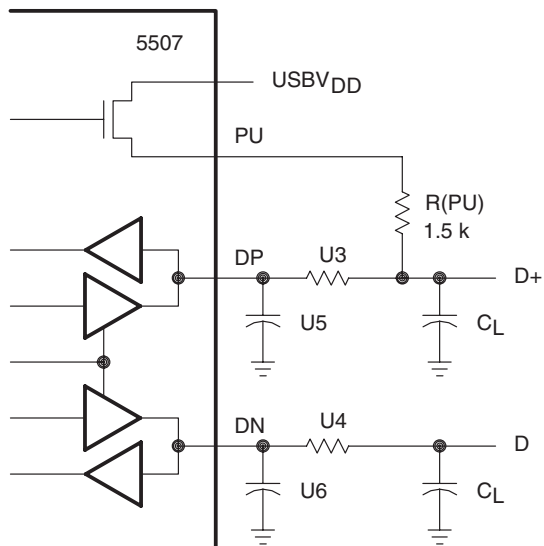


Figure 5-39. USB Timings



NOTES: A. A full-speed buffer is measured with the load shown.
 B. $C_L = 50 \text{ pF}$

Figure 5-40. Full-Speed Loads

5.18 ADC Timings

Table 5-42 assumes testing over recommended operating conditions.

Table 5-42. ADC Characteristics

NO.		$CV_{DD} = 1.2 \text{ V}$ $CV_{DD} = 1.35 \text{ V}$		$CV_{DD} = 1.6 \text{ V}$		UNIT
		MIN	MAX	MIN	MAX	
A1	$t_{c(SCLC)}$ Cycle time, ADC internal conversion clock	500		500		ns
A2	$t_{d(AQ)}$ Delay time, ADC sample and hold acquisition time		40		40	μs
A3	$t_{d(CONV)}$ Delay time, ADC conversion time		$13 * t_{c(SCLC)}$		$13 * t_{c(SCLC)}$	ns
A4	S_{DNL}	Static differential non-linearity error		2		LSB
		Static integral non-linearity error		3		
A5	Z_{set} Zero-scale offset error		9		9	LSB
A6	F_{set} Full-scale offset error		9		9	LSB
A7	Analog input impedance	1		1		MW

6 Mechanical Data

6.1 Package Thermal Resistance Characteristics

Table 6-1 and Table 6-2 provide the estimated thermal resistance characteristics for the SM320VC5507 DSP package types.

Table 6-1. Thermal Resistance Characteristics (Ambient)

PACKAGE	$R_{\Theta JA}$ (°C/W)	BOARD TYPE ⁽¹⁾	AIRFLOW (LFM)
PGE	71.2	High-K	0
	61.8	High-K	150
	58.9	High-K	250
	54.8	High-K	500
	103.6	Low-K	0
	84.2	Low-K	150
	77.8	Low-K	250
	69.4	Low-K	500

(1) Board types are as defined by JEDEC. Reference JEDEC Standard JESD51-9, Test Boards for Area Array Surface Mount Package Thermal Measurements.

Table 6-2. Thermal Resistance Characteristics (Case)

PACKAGE	$R_{\Theta JA}$ (°C/W)	BOARD TYPE ⁽¹⁾
PGE	13.8	2s JEDEC Test Card

(1) Board types are as defined by JEDEC. Reference JEDEC Standard JESD51-9, Test Boards for Area Array Surface Mount Package Thermal Measurements.

6.2 Packaging Information

The following packaging information reflects the most current released data available for the designated device(s). This data is subject to change without notice and without revision of this document.

PACKAGING INFORMATION

Orderable Device	Status (1)	Package Type	Package Drawing	Pins	Package Qty	Eco Plan (2)	Lead/Ball Finish (6)	MSL Peak Temp (3)	Op Temp (°C)	Device Marking (4/5)	Samples
SM320VC5507PGESEP	ACTIVE	LQFP	PGE	144	60	Green (RoHS & no Sb/Br)	CU NIPDAU	Level-4-260C-72 HR	-55 to 85	SM320 VC5507PGESEP	Samples
V62/09647-01XA	ACTIVE	LQFP	PGE	144	60	Green (RoHS & no Sb/Br)	CU NIPDAU	Level-4-260C-72 HR	-55 to 85	SM320 VC5507PGESEP	Samples

(1) The marketing status values are defined as follows:

ACTIVE: Product device recommended for new designs.

LIFEBUY: TI has announced that the device will be discontinued, and a lifetime-buy period is in effect.

NRND: Not recommended for new designs. Device is in production to support existing customers, but TI does not recommend using this part in a new design.

PREVIEW: Device has been announced but is not in production. Samples may or may not be available.

OBsolete: TI has discontinued the production of the device.

(2) Eco Plan - The planned eco-friendly classification: Pb-Free (RoHS), Pb-Free (RoHS Exempt), or Green (RoHS & no Sb/Br) - please check <http://www.ti.com/productcontent> for the latest availability information and additional product content details.

TBD: The Pb-Free/Green conversion plan has not been defined.

Pb-Free (RoHS): TI's terms "Lead-Free" or "Pb-Free" mean semiconductor products that are compatible with the current RoHS requirements for all 6 substances, including the requirement that lead not exceed 0.1% by weight in homogeneous materials. Where designed to be soldered at high temperatures, TI Pb-Free products are suitable for use in specified lead-free processes.

Pb-Free (RoHS Exempt): This component has a RoHS exemption for either 1) lead-based flip-chip solder bumps used between the die and package, or 2) lead-based die adhesive used between the die and leadframe. The component is otherwise considered Pb-Free (RoHS compatible) as defined above.

Green (RoHS & no Sb/Br): TI defines "Green" to mean Pb-Free (RoHS compatible), and free of Bromine (Br) and Antimony (Sb) based flame retardants (Br or Sb do not exceed 0.1% by weight in homogeneous material)

(3) MSL, Peak Temp. - The Moisture Sensitivity Level rating according to the JEDEC industry standard classifications, and peak solder temperature.

(4) There may be additional marking, which relates to the logo, the lot trace code information, or the environmental category on the device.

(5) Multiple Device Markings will be inside parentheses. Only one Device Marking contained in parentheses and separated by a "~" will appear on a device. If a line is indented then it is a continuation of the previous line and the two combined represent the entire Device Marking for that device.

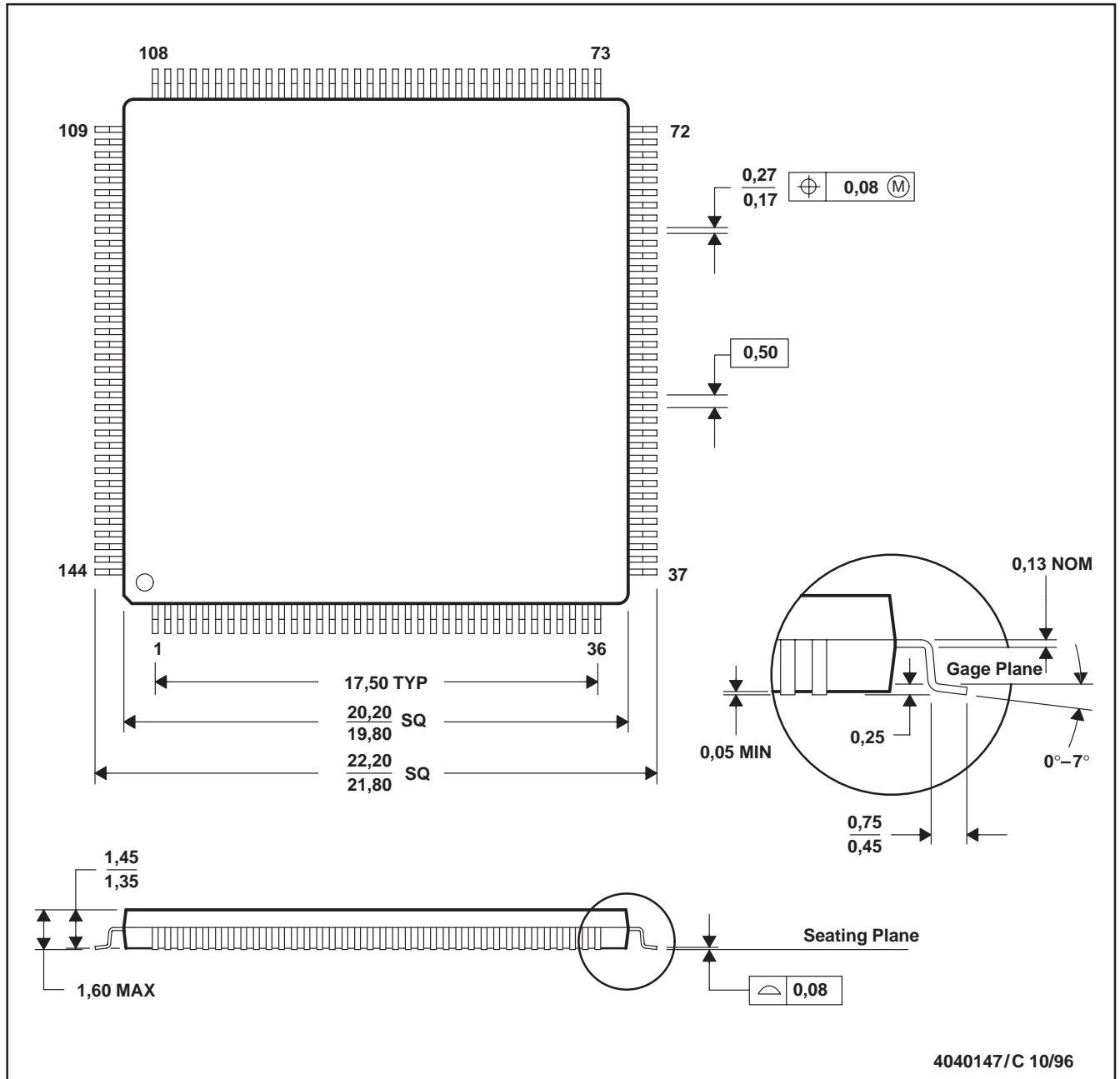
(6) Lead/Ball Finish - Orderable Devices may have multiple material finish options. Finish options are separated by a vertical ruled line. Lead/Ball Finish values may wrap to two lines if the finish value exceeds the maximum column width.

Important Information and Disclaimer: The information provided on this page represents TI's knowledge and belief as of the date that it is provided. TI bases its knowledge and belief on information provided by third parties, and makes no representation or warranty as to the accuracy of such information. Efforts are underway to better integrate information from third parties. TI has taken and continues to take reasonable steps to provide representative and accurate information but may not have conducted destructive testing or chemical analysis on incoming materials and chemicals. TI and TI suppliers consider certain information to be proprietary, and thus CAS numbers and other limited information may not be available for release.

In no event shall TI's liability arising out of such information exceed the total purchase price of the TI part(s) at issue in this document sold by TI to Customer on an annual basis.

PGE (S-PQFP-G144)

PLASTIC QUAD FLATPACK



- NOTES: A. All linear dimensions are in millimeters.
 B. This drawing is subject to change without notice.
 C. Falls within JEDEC MS-026

IMPORTANT NOTICE

Texas Instruments Incorporated and its subsidiaries (TI) reserve the right to make corrections, enhancements, improvements and other changes to its semiconductor products and services per JESD46, latest issue, and to discontinue any product or service per JESD48, latest issue. Buyers should obtain the latest relevant information before placing orders and should verify that such information is current and complete. All semiconductor products (also referred to herein as "components") are sold subject to TI's terms and conditions of sale supplied at the time of order acknowledgment.

TI warrants performance of its components to the specifications applicable at the time of sale, in accordance with the warranty in TI's terms and conditions of sale of semiconductor products. Testing and other quality control techniques are used to the extent TI deems necessary to support this warranty. Except where mandated by applicable law, testing of all parameters of each component is not necessarily performed.

TI assumes no liability for applications assistance or the design of Buyers' products. Buyers are responsible for their products and applications using TI components. To minimize the risks associated with Buyers' products and applications, Buyers should provide adequate design and operating safeguards.

TI does not warrant or represent that any license, either express or implied, is granted under any patent right, copyright, mask work right, or other intellectual property right relating to any combination, machine, or process in which TI components or services are used. Information published by TI regarding third-party products or services does not constitute a license to use such products or services or a warranty or endorsement thereof. Use of such information may require a license from a third party under the patents or other intellectual property of the third party, or a license from TI under the patents or other intellectual property of TI.

Reproduction of significant portions of TI information in TI data books or data sheets is permissible only if reproduction is without alteration and is accompanied by all associated warranties, conditions, limitations, and notices. TI is not responsible or liable for such altered documentation. Information of third parties may be subject to additional restrictions.

Resale of TI components or services with statements different from or beyond the parameters stated by TI for that component or service voids all express and any implied warranties for the associated TI component or service and is an unfair and deceptive business practice. TI is not responsible or liable for any such statements.

Buyer acknowledges and agrees that it is solely responsible for compliance with all legal, regulatory and safety-related requirements concerning its products, and any use of TI components in its applications, notwithstanding any applications-related information or support that may be provided by TI. Buyer represents and agrees that it has all the necessary expertise to create and implement safeguards which anticipate dangerous consequences of failures, monitor failures and their consequences, lessen the likelihood of failures that might cause harm and take appropriate remedial actions. Buyer will fully indemnify TI and its representatives against any damages arising out of the use of any TI components in safety-critical applications.

In some cases, TI components may be promoted specifically to facilitate safety-related applications. With such components, TI's goal is to help enable customers to design and create their own end-product solutions that meet applicable functional safety standards and requirements. Nonetheless, such components are subject to these terms.

No TI components are authorized for use in FDA Class III (or similar life-critical medical equipment) unless authorized officers of the parties have executed a special agreement specifically governing such use.

Only those TI components which TI has specifically designated as military grade or "enhanced plastic" are designed and intended for use in military/aerospace applications or environments. Buyer acknowledges and agrees that any military or aerospace use of TI components which have **not** been so designated is solely at the Buyer's risk, and that Buyer is solely responsible for compliance with all legal and regulatory requirements in connection with such use.

TI has specifically designated certain components as meeting ISO/TS16949 requirements, mainly for automotive use. In any case of use of non-designated products, TI will not be responsible for any failure to meet ISO/TS16949.

Products

Audio	www.ti.com/audio
Amplifiers	amplifier.ti.com
Data Converters	dataconverter.ti.com
DLP® Products	www.dlp.com
DSP	dsp.ti.com
Clocks and Timers	www.ti.com/clocks
Interface	interface.ti.com
Logic	logic.ti.com
Power Mgmt	power.ti.com
Microcontrollers	microcontroller.ti.com
RFID	www.ti-rfid.com
OMAP Applications Processors	www.ti.com/omap
Wireless Connectivity	www.ti.com/wirelessconnectivity

Applications

Automotive and Transportation	www.ti.com/automotive
Communications and Telecom	www.ti.com/communications
Computers and Peripherals	www.ti.com/computers
Consumer Electronics	www.ti.com/consumer-apps
Energy and Lighting	www.ti.com/energy
Industrial	www.ti.com/industrial
Medical	www.ti.com/medical
Security	www.ti.com/security
Space, Avionics and Defense	www.ti.com/space-avionics-defense
Video and Imaging	www.ti.com/video

TI E2E Community

e2e.ti.com