

SN54ALS652, SN54ALS653, SN54AS651, SN54AS652 SN74ALS651A, SN74ALS652A, SN74ALS653, SN74ALS654, SN74AS651, SN74AS652 OCTAL BUS TRANSCEIVERS AND REGISTERS WITH 3-STATE OUTPUTS

SDAS066G – DECEMBER 1983 – REVISED DECEMBER 2000

- Bus Transceivers/Registers
- Independent Registers and Enables for A and B Buses
- Multiplexed Real-Time and Stored Data
- Choice of True or Inverting Data Paths
- Choice of 3-State or Open-Collector Outputs to A Bus

DEVICE	A OUTPUT	B OUTPUT	LOGIC
SN74ALS651A, 'AS651	3-State	3-State	Inverting
SN54ALS652, SN74ALS652A, 'AS652	3-State	3-State	True
'ALS653	Open Collector	3-State	Inverting
SN74ALS654	Open Collector	3-State	True

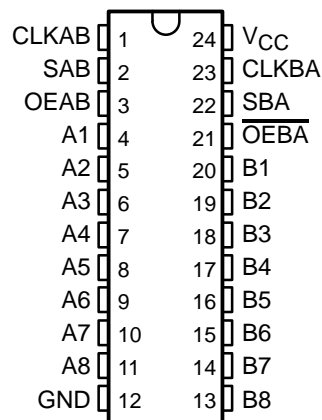
description

These devices consist of bus-transceiver circuits, D-type flip-flops, and control circuitry arranged for multiplexed transmission of data directly from the data bus or from the internal storage registers. Output-enable (OEAB and $\overline{\text{OEBA}}$) inputs are provided to control the transceiver functions. Select-control (SAB and SBA) inputs are provided to select real-time or stored data transfer. The circuitry used for select control eliminates the typical decoding glitch that occurs in a multiplexer during the transition between stored and real-time data. A low input level selects real-time data, and a high input level selects stored data. Figure 1 illustrates the four fundamental bus-management functions that can be performed with the octal bus transceivers and registers

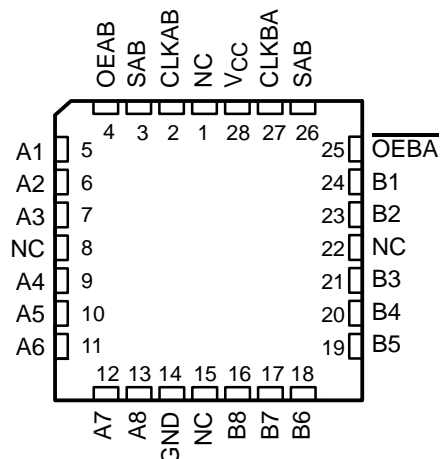
Data on the A or B data bus, or both, can be stored in the internal D-type flip-flops by low-to-high transitions at the appropriate clock (CLKAB or CLKBA) terminals, regardless of the select- or output-control terminals. When SAB and SBA are in the real-time transfer mode, it is possible to store data without using the internal D-type flip-flops by simultaneously enabling OEAB and $\overline{\text{OEBA}}$. In this configuration, each output reinforces its input. When all other data sources to the two sets of bus lines are at high impedance, each set of bus lines remains at its last state.

The -1 versions of the SN74ALS651A and SN74ALS652A are identical to the standard versions except that the recommended maximum I_{OL} for the -1 versions is increased to 48 mA. There are no -1 versions of the SN54ALS652, SN54ALS653, SN74ALS653, and SN74ALS654.

SN54ALS', SN54AS' ... JT PACKAGE
SN74ALS', SN74AS' ... DW OR NT PACKAGE
(TOP VIEW)



SN54ALS', SN54AS' ... FK PACKAGE
(TOP VIEW)



NC – No internal connection



Please be aware that an important notice concerning availability, standard warranty, and use in critical applications of Texas Instruments semiconductor products and disclaimers thereto appears at the end of this data sheet.

PRODUCTION DATA information is current as of publication date. Products conform to specifications per the terms of Texas Instruments standard warranty. Production processing does not necessarily include testing of all parameters.

**TEXAS
INSTRUMENTS**

POST OFFICE BOX 655303 • DALLAS, TEXAS 75265

Copyright © 2000, Texas Instruments Incorporated

**SN54ALS652, SN54ALS653, SN54AS651, SN54AS652
 SN74ALS651A, SN74ALS652A, SN74ALS653, SN74ALS654, SN74AS651, SN74AS652
 OCTAL BUS TRANSCEIVERS AND REGISTERS WITH 3-STATE OUTPUTS**

SDAS066G – DECEMBER 1983 – REVISED DECEMBER 2000

ORDERING INFORMATION

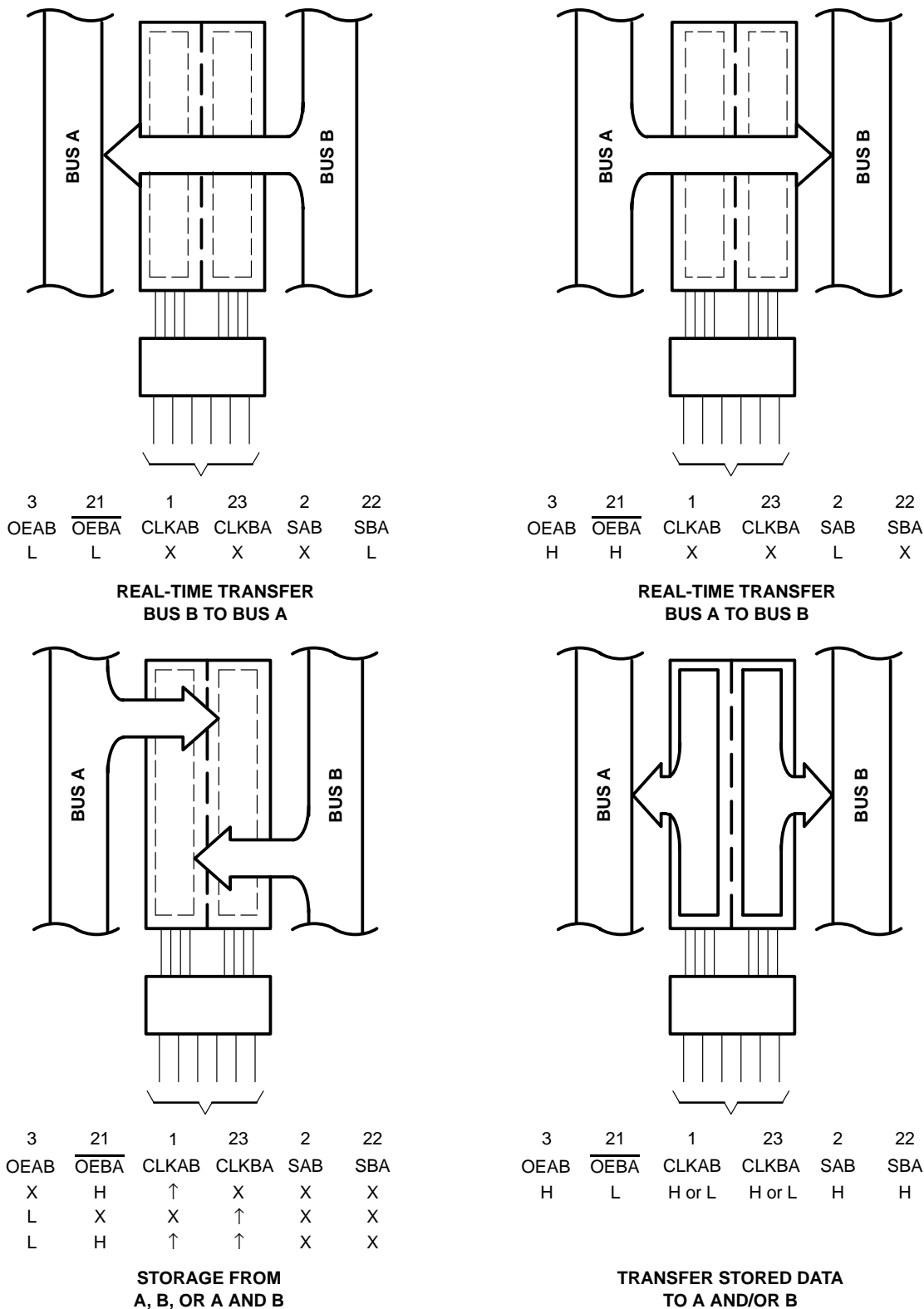
T_A	PACKAGE†		ORDERABLE PART NUMBER	TOP-SIDE MARKING
0°C to 70°C	PDIP – NT	Tube	SN74ALS651ANT	SN74ALS651ANT
			SN74ALS652ANT	SN74ALS652ANT
			SN74ALS653NT	SN74ALS653NT
			SN74ALS654NT	SN74ALS654NT
			SN74AS651NT	SN74AS651NT
			SN74AS652NT	SN74AS652NT
	SOIC – DW	Tube	SN74ALS651ADW	ALS651A
			SN74ALS651ADWR	
		Tape and reel	SN74ALS652ADW	ALS652A
			SN74ALS652ADWR	
		Tube	SN74ALS653DW	ALS653
			SN74ALS653DWR	
		Tape and reel	SN74ALS654DW	ALS654
			SN74ALS654DWR	
		AS651	Tube	SN74AS651DW
				SN74AS651DWR
			Tape and reel	SN74AS652DW
				SN74AS652DWR
–55°C to 125°C	CDIP – JT	Tube	SNJ54ALS652JT	SNJ54ALS652JT
			SNJ54ALS653JT	SNJ54ALS653JT
			SNJ54AS651JT	SNJ54AS651JT
			SNJ54AS652JT	SNJ54AS652JT
	LCCC – FK	Tube	SNJ54ALS652FK	SNJ54ALS652FK
			SNJ54ALS653FK	SNJ54ALS653FK
			SNJ54AS651FK	SNJ54AS651FK
			SNJ54AS652FK	SNJ54AS652FK

† Package drawings, standard packing quantities, thermal data, symbolization, and PCB design guidelines are available at www.ti.com/sc/package.



**SN54ALS652, SN54ALS653, SN54AS651, SN54AS652
SN74ALS651A, SN74ALS652A, SN74ALS653, SN74ALS654, SN74AS651, SN74AS652
OCTAL BUS TRANSCEIVERS AND REGISTERS WITH 3-STATE OUTPUTS**

SDAS066G – DECEMBER 1983 – REVISED DECEMBER 2000



Pin numbers shown are for the DW, JT, and NT packages.

Figure 1. Bus-Management Functions

**SN54ALS652, SN54ALS653, SN54AS651, SN54AS652
SN74ALS651A, SN74ALS652A, SN74ALS653, SN74ALS654, SN74AS651, SN74AS652
OCTAL BUS TRANSCEIVERS AND REGISTERS WITH 3-STATE OUTPUTS**

SDAS066G – DECEMBER 1983 – REVISED DECEMBER 2000

Function Tables

**SN54ALS653, SN54AS651,
SN74ALS651A, SN74ALS653, SN74AS651**

INPUTS						DATA I/O†		OPERATION OR FUNCTION
OEAB	OEBA	CLKAB	CLKBA	SAB	SBA	A1–A8	B1–B8	
L	H	H or L	H or L	X	X	Input	Input	Isolation
L	H	↑	↑	X	X	Input	Input	Store A and B data
X	H	↑	H or L	X	X	Input	Unspecified‡	Store A, hold B
H	H	↑	↑	X‡	X	Input	Output	Store A in both registers
L	X	H or L	↑	X	X	Unspecified‡	Input	Hold A, store B
L	L	↑	↑	X	X‡	Output	Input	Store B in both registers
L	L	X	X	X	L	Output	Input	Real-time \overline{B} data to A bus
L	L	X	H or L	X	H	Output	Input	Stored \overline{B} data to A bus
H	H	X	X	L	X	Input	Output	Real-time \overline{A} data to B bus
H	H	H or L	X	H	X	Input	Output	Stored \overline{A} data to B bus
H	L	H or L	H or L	H	H	Output	Output	Stored \overline{A} data to B bus and stored \overline{B} data to A bus

† The data output functions can be enabled or disabled by a variety of level combinations at OEAB or OEBA. Data input functions always are enabled; i.e., data at the bus terminals is stored on every low-to-high transition on the clock inputs.

‡ Select control = L: clocks can occur simultaneously.

Select control = H: clocks must be staggered to load both registers.

**SN54ALS652, SN54AS652,
SN74ALS652A, SN74ALS654, SN74AS652**

INPUTS						DATA I/O†		OPERATION OR FUNCTION
OEAB	OEBA	CLKAB	CLKBA	SAB	SBA	A1–A8	B1–B8	
L	H	H or L	H or L	X	X	Input	Input	Isolation
L	H	↑	↑	X	X	Input	Input	Store A and B data
X	H	↑	H or L	X	X	Input	Unspecified‡	Store A, hold B
H	H	↑	↑	X‡	X	Input	Output	Store A in both registers
L	X	H or L	↑	X	X	Unspecified‡	Input	Hold A, store B
L	L	↑	↑	X	X‡	Output	Input	Store B in both registers
L	L	X	X	X	L	Output	Input	Real-time B data to A bus
L	L	X	H or L	X	H	Output	Input	Stored B data to A bus
H	H	X	X	L	X	Input	Output	Real-time A data to B bus
H	H	H or L	X	H	X	Input	Output	Stored A data to B bus
H	L	H or L	H or L	H	H	Output	Output	Stored A data to B bus and stored B data to A bus

† The data output functions can be enabled or disabled by a variety of level combinations at OEAB or OEBA. Data input functions always are enabled; i.e., data at the bus terminals is stored on every low-to-high transition on the clock inputs.

‡ Select control = L: clocks can occur simultaneously.

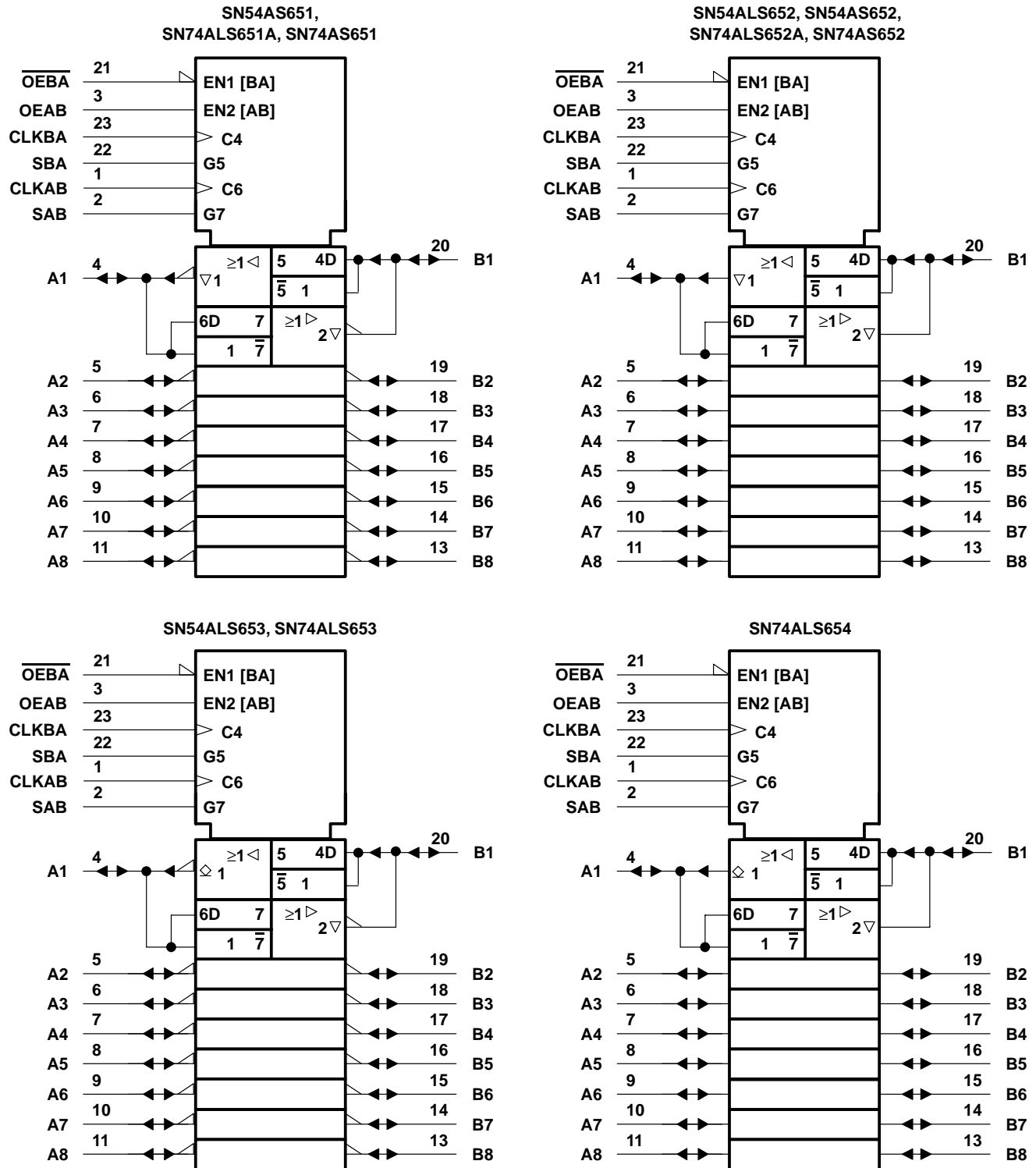
Select control = H: clocks must be staggered to load both registers.



SN54ALS652, SN54ALS653, SN54AS651, SN54AS652 SN74ALS651A, SN74ALS652A, SN74ALS653, SN74ALS654, SN74AS651, SN74AS652 OCTAL BUS TRANSCEIVERS AND REGISTERS WITH 3-STATE OUTPUTS

SDAS066G – DECEMBER 1983 – REVISED DECEMBER 2000

logic symbols†

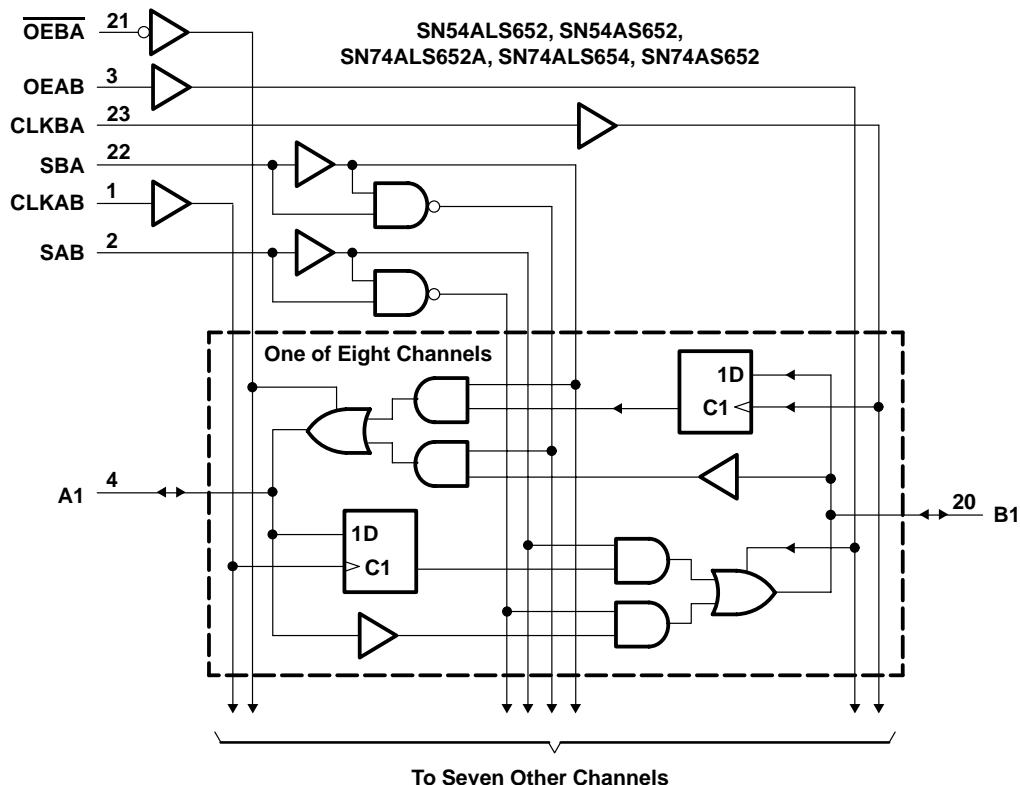
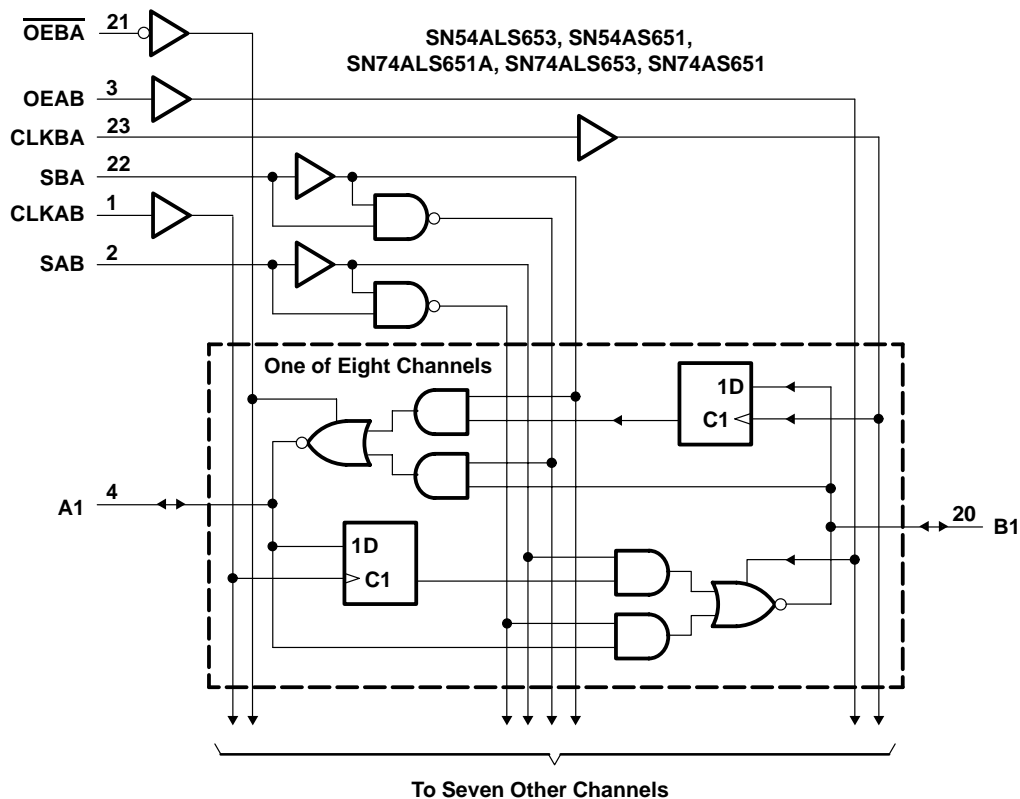


† These symbols are in accordance with ANSI/IEEE Std 91-1984 and IEC Publication 617-12. Pin numbers shown are for the DW, JT, and NT packages.

**SN54ALS652, SN54ALS653, SN54AS651, SN54AS652
 SN74ALS651A, SN74ALS652A, SN74ALS653, SN74ALS654, SN74AS651, SN74AS652
 OCTAL BUS TRANSCEIVERS AND REGISTERS WITH 3-STATE OUTPUTS**

SDAS066G – DECEMBER 1983 – REVISED DECEMBER 2000

logic diagrams (positive logic)



Pin numbers shown are for the DW, JT, and NT packages.



POST OFFICE BOX 655303 • DALLAS, TEXAS 75265

**SN54ALS652, SN54ALS653, SN54AS651, SN54AS652
SN74ALS651A, SN74ALS652A, SN74ALS653, SN74ALS654, SN74AS651, SN74AS652
OCTAL BUS TRANSCEIVERS AND REGISTERS WITH 3-STATE OUTPUTS**

SDAS066G – DECEMBER 1983 – REVISED DECEMBER 2000

absolute maximum ratings over operating free-air temperature range (unless otherwise noted)†

Supply voltage range, V_{CC}	–0.5 V to 7 V
Input voltage range, V_I : Control inputs	–0.5 V to 7 V
I/O ports	–0.5 V to 5.5 V
Package thermal impedance, θ_{JA} (see Note 1): DW package	46°C/W
NT package	67°C/W
Storage temperature range, T_{stg}	–65°C to 150°C

† Stresses beyond those listed under “absolute maximum ratings” may cause permanent damage to the device. These are stress ratings only, and functional operation of the device at these or any other conditions beyond those indicated under “recommended operating conditions” is not implied. Exposure to absolute-maximum-rated conditions for extended periods may affect device reliability.

NOTE 1: The package thermal impedance is calculated in accordance with JESD 51.

recommended operating conditions

		SN74ALS651A			UNIT	
		MIN	NOM	MAX		
V_{CC}	Supply voltage	4.5	5	5.5	V	
V_{IH}	High-level input voltage	2			V	
V_{IL}	Low-level input voltage			0.8	V	
I_{OH}	High-level output current			–15	mA	
I_{OL}	Low-level output current			24	mA	
				48‡		
f_{clock}	Clock frequency	0		40	MHz	
t_w	Pulse duration	CLKBA or CLKAB high		12.5	ns	
		CLKBA or CLKAB low		12.5		
t_{su}	Setup time before CLKAB↑ or CLKBA↑	A or B		10	ns	
t_h	Hold time after CLKAB↑ or CLKBA↑	A or B		0	ns	
T_A	Operating free-air temperature			0	70	°C

‡ Applies only to the SN74ALS651A-1 and only if V_{CC} is maintained between 4.75 V and 5.25 V

recommended operating conditions

		SN54ALS652			SN74ALS652A			UNIT	
		MIN	NOM	MAX	MIN	NOM	MAX		
V_{CC}	Supply voltage	4.5	5	5.5	4.5	5	5.5	V	
V_{IH}	High-level input voltage	2			2			V	
V_{IL}	Low-level input voltage			0.7			0.8	V	
I_{OH}	High-level output current			–12			–15	mA	
I_{OL}	Low-level output current			12			24	mA	
							48‡		
f_{clock}	Clock frequency	0		35	0		40	MHz	
t_w	Pulse duration	CLKBA or CLKAB high		14.5			12.5	ns	
		CLKBA or CLKAB low		14.5			12.5		
t_{su}	Setup time before CLKAB↑ or CLKBA↑	A or B		15			10	ns	
t_h	Hold time after CLKAB↑ or CLKBA↑	A or B		5			0	ns	
T_A	Operating free-air temperature			–55			125	70	°C

‡ Applies only to the SN74ALS652A-1 and only if V_{CC} is maintained between 4.75 V and 5.25 V



**SN54ALS652, SN54ALS653, SN54AS651, SN54AS652
 SN74ALS651A, SN74ALS652A, SN74ALS653, SN74ALS654, SN74AS651, SN74AS652
 OCTAL BUS TRANSCEIVERS AND REGISTERS WITH 3-STATE OUTPUTS**

SDAS066G – DECEMBER 1983 – REVISED DECEMBER 2000

electrical characteristics over recommended operating free-air temperature range (unless otherwise noted)

PARAMETER		TEST CONDITIONS		SN74ALS651A			UNIT
				MIN	TYP†	MAX	
V _{IK}		V _{CC} = 4.5 V,	I _I = -18 mA			-1.2	V
V _{OH}		V _{CC} = 4.5 V to 5.5 V,	I _{OH} = -0.4 mA	V _{CC} -2			V
		V _{CC} = 4.5 V	I _{OH} = -3 mA	2.4	3.2		
V _{OL}		V _{CC} = 4.5 V	I _{OL} = 12 mA	0.25	0.4	V	
			I _{OL} = 24 mA	0.35	0.5		
		V _{CC} = 4.75 V,	I _{OL} = 48 mA (-1 versions)	0.35	0.5		
I _I	Control inputs	V _{CC} = 5.5 V,	V _I = 7 V			0.1	mA
	A or B ports	V _{CC} = 5.5 V,	V _I = 5.5 V			0.1	
I _{IH}	Control inputs	V _{CC} = 5.5 V,	V _I = 2.7 V			20	µA
	A or B ports‡					20	
I _{IL}	Control inputs	V _{CC} = 5.5 V,	V _I = 0.4 V			-0.2	mA
	A or B ports‡					-0.2	
I _{OS} §		V _{CC} = 5.5 V,	V _O = 2.25 V	-30		-112	mA
I _{CC}		V _{CC} = 5.5 V	Outputs high	42	68	mA	
			Outputs low	52	82		
			Outputs disabled	52	82		

† All typical values are at V_{CC} = 5 V, T_A = 25°C.

‡ For I/O ports, the parameters I_{IH} and I_{IL} include the off-state output current.

§ The output conditions have been chosen to produce a current that closely approximates one-half of the true short-circuit output current, I_{OS}.



**SN54ALS652, SN54ALS653, SN54AS651, SN54AS652
SN74ALS651A, SN74ALS652A, SN74ALS653, SN74ALS654, SN74AS651, SN74AS652
OCTAL BUS TRANSCEIVERS AND REGISTERS WITH 3-STATE OUTPUTS**

SDAS066G – DECEMBER 1983 – REVISED DECEMBER 2000

electrical characteristics over recommended operating free-air temperature range (unless otherwise noted)

PARAMETER		TEST CONDITIONS	SN54ALS652		SN74ALS652A		UNIT		
			MIN	TYP†	MAX	MIN		TYP†	MAX
V _{IK}		V _{CC} = 4.5 V, I _I = -18 mA	-1.2		-1.2		V		
V _{OH}		V _{CC} = 4.5 V to 5.5 V, I _{OH} = -0.4 mA	V _{CC} -2		V _{CC} -2		V		
		V _{CC} = 4.5 V	I _{OH} = -3 mA	2.4	3.2	2.4		3.2	
			I _{OH} = -12 mA	2					
V _{OL}		V _{CC} = 4.5 V	I _{OL} = 12 mA	0.25	0.4	0.25	0.4	V	
			I _{OL} = 24 mA			0.35	0.5		
		V _{CC} = 4.75 V, I _{OL} = 48 mA (-1 versions)			0.35	0.5			
I _I	Control inputs	V _{CC} = 5.5 V, V _I = 7 V	0.1		0.1		mA		
	A or B ports	V _{CC} = 5.5 V, V _I = 5.5 V	0.1		0.1				
I _{IH}	Control inputs	V _{CC} = 5.5 V, V _I = 2.7 V	20		20		μA		
	A or B ports‡		20		20				
I _{IL}	Control inputs	V _{CC} = 5.5 V, V _I = 0.4 V	-0.2		-0.2		mA		
	A or B ports‡		-0.2		-0.2				
I _O §		V _{CC} = 5.5 V, V _O = 2.25 V	-20	-112	-30	-112	mA		
I _{CC}		V _{CC} = 5.5 V	Outputs high		47	76	47	76	mA
			Outputs low		55	88	55	88	
			Outputs disabled		55	88	55	88	

† All typical values are at V_{CC} = 5 V, T_A = 25°C.

‡ For I/O ports, the parameters I_{IH} and I_{IL} include the off-state output current.

§ The output conditions have been chosen to produce a current that closely approximates one-half of the true short-circuit output current, I_{OS}.

**SN54ALS652, SN54ALS653, SN54AS651, SN54AS652
 SN74ALS651A, SN74ALS652A, SN74ALS653, SN74ALS654, SN74AS651, SN74AS652
 OCTAL BUS TRANSCEIVERS AND REGISTERS WITH 3-STATE OUTPUTS**

SDAS066G – DECEMBER 1983 – REVISED DECEMBER 2000

switching characteristics (see Figure 2)

PARAMETER	FROM (INPUT)	TO (OUTPUT)	V _{CC} = 4.5 V to 5.5 V, C _L = 50 pF, R ₁ = 500 Ω, R ₂ = 500 Ω, T _A = MIN to MAX†		UNIT
			SN74ALS651A		
			MIN	MAX	
f _{max}			40		MHz
t _{PLH}	CLKBA or CLKAB	A or B	8	32	ns
t _{PHL}			5	17	
t _{PLH}	A or B	B or A	2	18	ns
t _{PHL}			2	10	
t _{PLH}	SBA or SAB‡ (with A or B high)	A or B	8	38	ns
t _{PHL}			6	21	
t _{PLH}	SBA or SAB‡ (with A or B low)	A or B	8	25	ns
t _{PHL}			7	21	
t _{PZH}	\overline{OEBA}	A	3	20	ns
t _{PZL}			5	18	
t _{PHZ}	\overline{OEBA}	A	2	9	ns
t _{PLZ}			3	12	
t _{PZH}	OEAB	B	3	22	ns
t _{PZL}			6	21	
t _{PHZ}	OEAB	B	2	12	ns
t _{PLZ}			2	14	

† For conditions shown as MIN or MAX, use the appropriate value specified under recommended operating conditions.

‡ These parameters are measured with the internal output state of the storage register opposite that of the bus input.



**SN54ALS652, SN54ALS653, SN54AS651, SN54AS652
SN74ALS651A, SN74ALS652A, SN74ALS653, SN74ALS654, SN74AS651, SN74AS652
OCTAL BUS TRANSCEIVERS AND REGISTERS WITH 3-STATE OUTPUTS**

SDAS066G – DECEMBER 1983 – REVISED DECEMBER 2000

switching characteristics (see Figure 2)

PARAMETER	FROM (INPUT)	TO (OUTPUT)	V _{CC} = 4.5 V to 5.5 V, C _L = 50 pF, R ₁ = 500 Ω, R ₂ = 500 Ω, T _A = MIN to MAX†				UNIT
			SN54ALS652		SN74ALS652A		
			MIN	MAX	MIN	MAX	
t _{max}			35		40		MHz
t _{PLH}	CLKBA or CLKAB	A or B	10	35	8	30	ns
t _{PHL}			5	20	5	17	
t _{PLH}	A or B	B or A	5	20	4	18	ns
t _{PHL}			3	15	3	12	
t _{PLH}	SBA or SAB‡ (with A or B high)	A or B	15	40	8	35	ns
t _{PHL}			6	23	6	20	
t _{PLH}	SBA or SAB‡ (with A or B low)	A or B	8	30	8	25	ns
t _{PHL}			5	24	5	20	
t _{PZH}	\overline{OEBA}	A	3	20	3	17	ns
t _{PZL}			5	22	5	18	
t _{PHZ}	\overline{OEBA}	A	1	12	1	10	ns
t _{PLZ}			2	20	2	16	
t _{PZH}	OEAB	B	8	25	3	22	ns
t _{PZL}			6	21	5	18	
t _{PHZ}	OEAB	B	1	12	1	10	ns
t _{PLZ}			2	21	2	16	

† For conditions shown as MIN or MAX, use the appropriate value specified under recommended operating conditions.

‡ These parameters are measured with the internal output state of the storage register opposite that of the bus input.

**SN54ALS652, SN54ALS653, SN54AS651, SN54AS652
SN74ALS651A, SN74ALS652A, SN74ALS653, SN74ALS654, SN74AS651, SN74AS652
OCTAL BUS TRANSCEIVERS AND REGISTERS WITH 3-STATE OUTPUTS**

SDAS066G – DECEMBER 1983 – REVISED DECEMBER 2000

electrical characteristics over recommended operating free-air temperature range (unless otherwise noted)

PARAMETER		TEST CONDITIONS	SN54ALS653		SN74ALS653		UNIT	
			MIN	TYP†	MAX	MIN		TYP†
V _{IK}		V _{CC} = 4.5 V, I _I = -18 mA	-1.2		-1.2		V	
V _{OH}	B ports	V _{CC} = 4.5 V to 5.5 V, I _{OH} = -0.4 mA	V _{CC} -2		V _{CC} -2		V	
		V _{CC} = 4.5 V	I _{OH} = -3 mA	2.4	3.2	2.4		3.2
			I _{OH} = -12 mA	2				
			I _{OH} = -15 mA			2		
V _{OL}	V _{CC} = 4.5 V	I _{OL} = 12 mA	0.25	0.4	0.25	0.4	V	
		I _{OL} = 24 mA			0.35	0.5		
I _I	Control inputs	V _{CC} = 5.5 V, V _I = 7 V	0.1		0.1		mA	
	A or B ports	V _{CC} = 5.5 V, V _I = 5.5 V	0.1		0.1			
I _{IH}	Control inputs	V _{CC} = 5.5 V, V _I = 2.7 V	20		20		μA	
	A or B ports‡		20		20			
I _{IL}	Control inputs	V _{CC} = 5.5 V, V _I = 0.4 V	-0.2		-0.2		mA	
	A or B ports‡		-0.2		-0.2			
I _{OH}	A ports	V _{CC} = 4.5 V, V _{OH} = 5.5 V	0.1		0.1		mA	
I _O §	B ports	V _{CC} = 5.5 V, V _O = 2.25 V	-20	-112	-30	-112	mA	
I _{CC}		V _{CC} = 5.5 V	Outputs high	47	76	47	76	mA
			Outputs low	55	88	55	88	
			Outputs disabled	55	88	55	88	

† All typical values are at V_{CC} = 5 V, T_A = 25°C.

‡ For I/O ports, the parameters I_{IH} and I_{IL} include the off-state output current.

§ The output conditions have been chosen to produce a current that closely approximates one-half of the true short-circuit output current, I_{OS}.



**SN54ALS652, SN54ALS653, SN54AS651, SN54AS652
 SN74ALS651A, SN74ALS652A, SN74ALS653, SN74ALS654, SN74AS651, SN74AS652
 OCTAL BUS TRANSCEIVERS AND REGISTERS WITH 3-STATE OUTPUTS**

SDAS066G – DECEMBER 1983 – REVISED DECEMBER 2000

electrical characteristics over recommended operating free-air temperature range (unless otherwise noted)

PARAMETER		TEST CONDITIONS		SN74ALS654		UNIT
				MIN	TYP†	
V _{IK}		V _{CC} = 4.5 V,	I _I = -18 mA	-1.2		V
V _{OH}	B ports	V _{CC} = 4.5 V to 5.5 V,	I _{OH} = -0.4 mA	V _{CC} - 2		V
		V _{CC} = 4.5 V	I _{OH} = -3 mA	2.4	3.2	
V _{OL}		V _{CC} = 4.5 V	I _{OL} = 12 mA	0.25	0.4	V
			I _{OL} = 24 mA	0.35	0.5	
I _I	Control inputs	V _{CC} = 5.5 V,	V _I = 7 V	0.1		mA
	A or B ports	V _{CC} = 5.5 V,	V _I = 5.5 V	0.1		
I _{IH}	Control inputs	V _{CC} = 5.5 V,	V _I = 2.7 V	20		μA
	A or B ports‡			20		
I _{IL}	Control inputs	V _{CC} = 5.5 V,	V _I = 0.4 V	-0.2		mA
	A or B ports‡			-0.2		
I _{OH}	A ports	V _{CC} = 4.5 V,	V _{OH} = 5.5 V	0.1		mA
I _O §	B ports	V _{CC} = 5.5 V,	V _O = 2.25 V	-30	-112	mA
I _{CC}		V _{CC} = 5.5 V	Outputs high	47	76	mA
			Outputs low	55	88	
			Outputs disabled	55	88	

† All typical values are at V_{CC} = 5 V, T_A = 25°C.

‡ For I/O ports, the parameters I_{IH} and I_{IL} include the off-state output current.

§ The output conditions have been chosen to produce a current that closely approximates one-half of the true short-circuit output current, I_{OS}.



**SN54ALS652, SN54ALS653, SN54AS651, SN54AS652
SN74ALS651A, SN74ALS652A, SN74ALS653, SN74ALS654, SN74AS651, SN74AS652
OCTAL BUS TRANSCEIVERS AND REGISTERS WITH 3-STATE OUTPUTS**

SDAS066G – DECEMBER 1983 – REVISED DECEMBER 2000

switching characteristics (see Figure 2)

PARAMETER	FROM (INPUT)	TO (OUTPUT)	V _{CC} = 4.5 V to 5.5 V, C _L = 50 pF, R _L = 680 Ω (A outputs), R ₁ = R ₂ = 500 Ω (B outputs), T _A = MIN to MAX†				UNIT
			SN54ALS653		SN74ALS653		
			MIN	MAX	MIN	MAX	
f _{max}			25		35		MHz
t _{PLH}	CLKBA	A	16	71	16	64	ns
t _{PHL}			6	24	6	22	
t _{PLH}	CLKAB	B	10	35	10	30	ns
t _{PHL}			5	20	5	17	
t _{PLH}	A	B	5	20	5	18	ns
t _{PHL}			1.5	18	2	15	
t _{PLH}	B	A	8	63	12	56	ns
t _{PHL}			2	18	2	15	
t _{PLH}	SBA‡ (with B high)	A	12	68	19	62	ns
t _{PHL}			5	27	5	25	
t _{PLH}	SBA‡ (with B low)	A	12	68	19	62	ns
t _{PHL}			5	27	5	25	
t _{PLH}	SAB‡ (with A high)	B	8	30	15	35	ns
t _{PHL}			6	25	6	22	
t _{PLH}	SAB‡ (with A low)	B	12	40	8	25	ns
t _{PHL}			6	25	6	22	
t _{PLH}	$\overline{\text{OEBA}}$	A	6	35	6	30	ns
t _{PHL}			6	27	6	24	
t _{PZH}	OEAB	B	7	25	8	22	ns
t _{PZL}			6	25	6	22	
t _{PHZ}	OEAB	B	1	16	1	14	ns
t _{PLZ}			2	21	2	16	

† For conditions shown as MIN or MAX, use the appropriate value specified under recommended operating conditions.

‡ These parameters are measured with the internal output state of the storage register opposite that of the bus input.

**SN54ALS652, SN54ALS653, SN54AS651, SN54AS652
 SN74ALS651A, SN74ALS652A, SN74ALS653, SN74ALS654, SN74AS651, SN74AS652
 OCTAL BUS TRANSCEIVERS AND REGISTERS WITH 3-STATE OUTPUTS**

SDAS066G – DECEMBER 1983 – REVISED DECEMBER 2000

switching characteristics (see Figure 2)

PARAMETER	FROM (INPUT)	TO (OUTPUT)	V _{CC} = 4.5 V to 5.5 V, C _L = 50 pF, R _L = 680 Ω (A outputs), R ₁ = R ₂ = 500 Ω (B outputs), T _A = MIN to MAX†		UNIT
			SN74ALS654		
			MIN	MAX	
f _{max}			35		MHz
t _{PLH}	CLKBA	A	16	64	ns
t _{PHL}			6	22	
t _{PLH}	CLKAB	B	10	30	ns
t _{PHL}			5	17	
t _{PLH}	A	B	5	18	ns
t _{PHL}			2	15	
t _{PLH}	B	A	12	56	ns
t _{PHL}			2	21	
t _{PLH}	SBA‡ (with B low)	A	19	62	ns
t _{PHL}			5	25	
t _{PLH}	SBA‡ (with B high)	A	19	62	ns
t _{PHL}			5	25	
t _{PLH}	SAB‡ (with A low)	B	15	35	ns
t _{PHL}			6	22	
t _{PLH}	SAB‡ (with A high)	B	8	25	ns
t _{PHL}			6	22	
t _{PLH}	$\overline{\text{OEBA}}$	A	6	30	ns
t _{PHL}			6	24	
t _{PZH}	OEAB	B	6	22	ns
t _{PZL}			6	22	
t _{PHZ}	OEAB	B	1	14	ns
t _{PLZ}			2	16	

† For conditions shown as MIN or MAX, use the appropriate value specified under recommended operating conditions.

‡ These parameters are measured with the internal output state of the storage register opposite that of the bus input.



**SN54ALS652, SN54ALS653, SN54AS651, SN54AS652
SN74ALS651A, SN74ALS652A, SN74ALS653, SN74ALS654, SN74AS651, SN74AS652
OCTAL BUS TRANSCEIVERS AND REGISTERS WITH 3-STATE OUTPUTS**

SDAS066G – DECEMBER 1983 – REVISED DECEMBER 2000

absolute maximum ratings over operating free-air temperature range (unless otherwise noted)†

Supply voltage range, V_{CC}	–0.5 V to 7 V
Input voltage range, V_I : Control inputs	–0.5 V to 7 V
I/O ports	–0.5 V to 5.5 V
Package thermal impedance, θ_{JA} (see Note 1): DW package	46°C/W
NT package	67°C/W
Storage temperature range, T_{stg}	–65°C to 150°C

† Stresses beyond those listed under “absolute maximum ratings” may cause permanent damage to the device. These are stress ratings only, and functional operation of the device at these or any other conditions beyond those indicated under “recommended operating conditions” is not implied. Exposure to absolute-maximum-rated conditions for extended periods may affect device reliability.

NOTE 1: The package thermal impedance is calculated in accordance with JESD 51.

recommended operating conditions

		SN54AS651 SN54AS652			SN74AS651 SN74AS652			UNIT
		MIN	NOM	MAX	MIN	NOM	MAX	
V_{CC}	Supply voltage	4.5	5	5.5	4.5	5	5.5	V
V_{IH}	High-level input voltage	2			2			V
V_{IL}	Low-level input voltage			0.8			0.8	V
I_{OH}	High-level output current			–12			–15	mA
I_{OL}	Low-level output current			32			48	mA
f_{clock}	Clock frequency	0*		75*	0		90	MHz
t_w	Pulse duration	CLKBA or CLKAB high		6*	5		ns	
		CLKBA or CLKAB low		7*	6			
t_{su}	Setup time before CLKAB↑ or CLKBA↑	A or B		7*	6		ns	
t_h	Hold time after CLKAB↑ or CLKBA	A or B		0*	0		ns	
T_A	Operating free-air temperature	–55		125	0		70	°C

* On products compliant to MIL-PRF-38535, this parameter is based on characterized data but is not production tested.



**SN54ALS652, SN54ALS653, SN54AS651, SN54AS652
 SN74ALS651A, SN74ALS652A, SN74ALS653, SN74ALS654, SN74AS651, SN74AS652
 OCTAL BUS TRANSCEIVERS AND REGISTERS WITH 3-STATE OUTPUTS**

SDAS066G – DECEMBER 1983 – REVISED DECEMBER 2000

electrical characteristics over recommended operating free-air temperature range (unless otherwise noted)

PARAMETER	TEST CONDITIONS		SN54AS651 SN54AS652			SN74AS651 SN74AS652			UNIT
			MIN	TYP†	MAX	MIN	TYP†	MAX	
V _{IK}	V _{CC} = 4.5 V, I _I = -18 mA		-1.2			-1.2			V
V _{OH}	V _{CC} = 4.5 V to 5.5 V, I _{OH} = -2 mA		V _{CC} -2			V _{CC} -2			V
	V _{CC} = 4.5 V	I _{OH} = -3 mA	2.4	3.2		2.4	3.2		
		I _{OH} = -12 mA	2		2				
V _{OL}	V _{CC} = 4.5 V	I _{OL} = 32 mA	0.25	0.5				V	
		I _{OL} = 48 mA				0.35	0.5		
I _I	Control inputs	V _{CC} = 5.5 V, V _I = 7 V	0.1			0.1			mA
	A or B ports	V _{CC} = 5.5 V, V _I = 5.5 V	0.1			0.1			
I _{IH}	Control inputs	V _{CC} = 5.5 V, V _I = 2.7 V	20			20			μA
	A or B ports‡		70			70			
I _{IL}	Control input	V _{CC} = 5.5 V, V _I = 0.4 V	-0.5			-0.5			mA
	A or B ports‡		-0.75			-0.75			
I _O §	V _{CC} = 5.5 V, V _O = 2.25 V		-30	-112	-30	-112	mA		
I _{CC}	'AS651	V _{CC} = 5.5 V	Outputs high		110	185	110	185	mA
			Outputs low		120	195	120	195	
			Outputs disabled		130	195	130	195	
	'AS652	V _{CC} = 5.5 V	Outputs high		120	195	120	195	
			Outputs low		130	211	130	211	
			Outputs disabled		130	211	130	211	

† All typical values are at V_{CC} = 5 V, T_A = 25 °C.

‡ For I/O ports, the parameters I_{IH} and I_{IL} include the off-state output current.

§ The output conditions have been chosen to produce a current that closely approximates one-half of the true short-circuit output current, I_{OS}.



**SN54ALS652, SN54ALS653, SN54AS651, SN54AS652
SN74ALS651A, SN74ALS652A, SN74ALS653, SN74ALS654, SN74AS651, SN74AS652
OCTAL BUS TRANSCEIVERS AND REGISTERS WITH 3-STATE OUTPUTS**

SDAS066G – DECEMBER 1983 – REVISED DECEMBER 2000

switching characteristics (see Figure 2)

PARAMETER	FROM (INPUT)	TO (OUTPUT)	V _{CC} = 4.5 V to 5.5 V, C _L = 50 pF, R ₁ = 500 Ω, R ₂ = 500 Ω, T _A = MIN to MAX†				UNIT
			SN54AS651		SN74AS651		
			MIN	MAX	MIN	MAX	
f _{max}			75*		90		MHz
t _{PLH}	CLKBA or CLKAB	A or B	2	11	2	8.5	ns
t _{PHL}			2	10	2	9	
t _{PLH}	A or B	B or A	2	12	2	8	ns
t _{PHL}			1	8	1	7	
t _{PLH}	SBA or SAB‡	A or B	2	15	2	11	ns
t _{PHL}			2	11	2	9	
t _{PZH}	\overline{OEBA}	A	2	11	2	10	ns
t _{PZL}			3	18	3	16	
t _{PHZ}	\overline{OEBA}	A	2	10	2	9	ns
t _{PLZ}			2	10	2	9	
t _{PZH}	OEAB	B	3	12	3	11	ns
t _{PZL}			3	20	3	16	
t _{PHZ}	OEAB	B	2	11	2	10	ns
t _{PLZ}			2	12	2	11	

* On products compliant to MIL-PRF-38535, this parameter is based on characterized data but is not production tested.

† For conditions shown as MIN or MAX, use the appropriate value specified under recommended operating conditions.

‡ These parameters are measured with the internal output state of the storage register opposite that of the bus input.

**SN54ALS652, SN54ALS653, SN54AS651, SN54AS652
 SN74ALS651A, SN74ALS652A, SN74ALS653, SN74ALS654, SN74AS651, SN74AS652
 OCTAL BUS TRANSCEIVERS AND REGISTERS WITH 3-STATE OUTPUTS**

SDAS066G – DECEMBER 1983 – REVISED DECEMBER 2000

switching characteristics (see Figure 2)

PARAMETER	FROM (INPUT)	TO (OUTPUT)	V _{CC} = 4.5 V TO 5.5 V, C _L = 50 PF, R1 = 500 Ω, R2 = 500 Ω, T _A = MIN TO MAX†				UNIT
			SN54AS652		SN74AS652		
			MIN	MAX	TYP	MAX	
f _{max}			75*		90		MHz
t _{PLH}	CLKBA or CLKAB	A or B	2	11	2	8.5	ns
t _{PHL}			2	10	2	9	
t _{PLH}	A or B	B or A	2	12	2	9	ns
t _{PHL}			1	8	1	7	
t _{PLH}	SBA or SAB‡	A or B	2	15	2	11	ns
t _{PHL}			2	11	2	9	
t _{PZH}	$\overline{\text{OEBA}}$	A	2	11	2	10	ns
t _{PZL}			3	18	3	16	
t _{PHZ}	$\overline{\text{OEBA}}$	A	2	10	2	9	ns
t _{PLZ}			2	10	2	9	
t _{PZH}	OEAB	B	3	12	3	11	ns
t _{PZL}			3	20	3	16	
t _{PHZ}	OEAB	B	2	11	2	10	ns
t _{PLZ}			2	12	2	11	

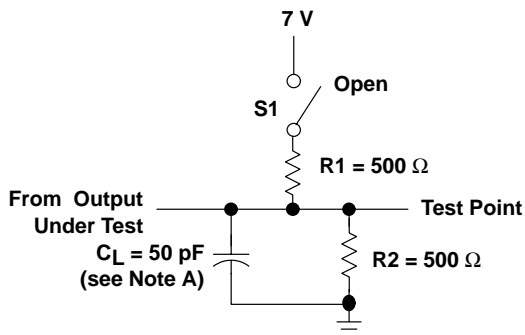
* On products compliant to MIL-PRF-38535, this parameter is based on characterized data but is not production tested.

† For conditions shown as MIN or MAX, use the appropriate value specified under recommended operating conditions.

‡ These parameters are measured with the internal output state of the storage register opposite that of the bus input.



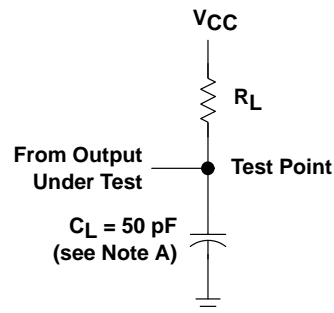
PARAMETER MEASUREMENT INFORMATION



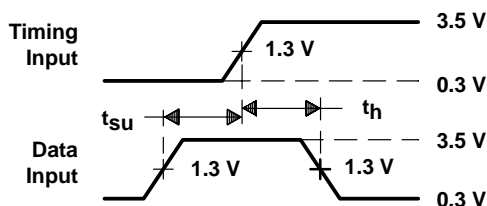
LOAD CIRCUIT FOR 3-STATE OUTPUTS

SWITCH POSITION TABLE

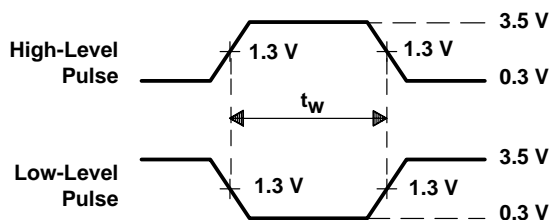
TEST	S1
t _{PLH}	Open
t _{PHL}	Open
t _{PZH}	Open
t _{PZL}	Closed
t _{PHZ}	Open
t _{PLZ}	Closed



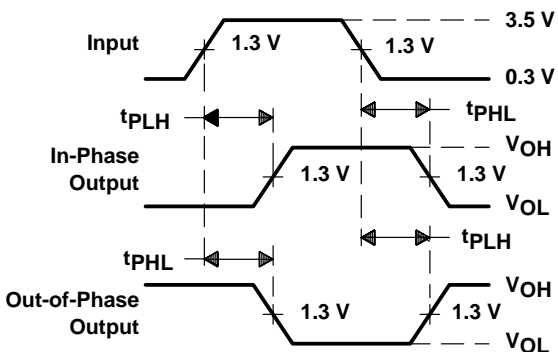
LOAD CIRCUIT FOR OPEN-COLLECTOR OUTPUTS



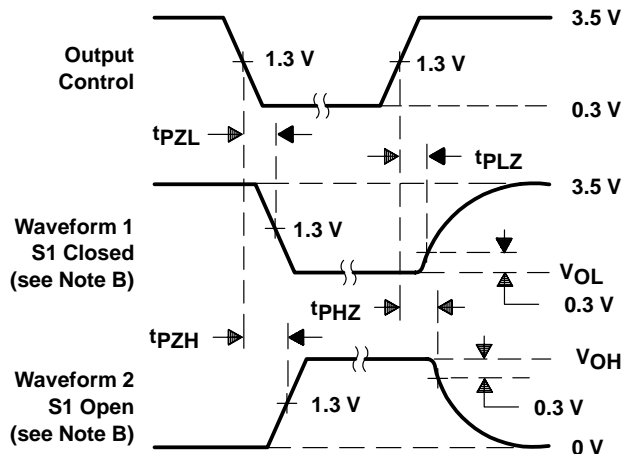
VOLTAGE WAVEFORMS SETUP AND HOLD TIMES



VOLTAGE WAVEFORMS PULSE DURATION



VOLTAGE WAVEFORMS PROPAGATION DELAY TIMES



VOLTAGE WAVEFORMS ENABLE AND DISABLE TIMES, 3-STATE OUTPUTS

- NOTES: A. C_L includes probe and jig capacitance.
 B. Waveform 1 is for an output with internal conditions such that the output is low except when disabled by the output control. Waveform 2 is for an output with internal conditions such that the output is high except when disabled by the output control.
 C. All input pulses are supplied by generators having the following characteristics: $PRR \leq 1$ MHz, $Z_0 = 50 \Omega$, $t_r \leq 2$ ns, $t_f \leq 2$ ns.
 D. The outputs are measured one at a time with one transition per measurement.

Figure 2. Load Circuits and Voltage Waveforms

PACKAGING INFORMATION

Orderable Device	Status (1)	Package Type	Package Drawing	Pins	Package Qty	Eco Plan (2)	Lead/Ball Finish (6)	MSL Peak Temp (3)	Op Temp (°C)	Device Marking (4/5)	Samples
5962-88673013A	ACTIVE	LCCC	FK	28	1	TBD	POST-PLATE	N / A for Pkg Type	-55 to 125	5962- 88673013A SNJ54ALS 652FK	Samples
5962-8867301LA	ACTIVE	CDIP	JT	24	1	TBD	A42	N / A for Pkg Type	-55 to 125	5962-8867301LA SNJ54ALS652JT	Samples
5962-8868701LA	ACTIVE	CDIP	JT	24	1	TBD	A42	N / A for Pkg Type	-55 to 125	5962-8868701LA SNJ54AS652JT	Samples
5962-89687013A	ACTIVE	LCCC	FK	28	1	TBD	POST-PLATE	N / A for Pkg Type	-55 to 125	5962- 89687013A SNJ54ALS 653FK	Samples
5962-8968701LA	ACTIVE	CDIP	JT	24	1	TBD	A42	N / A for Pkg Type	-55 to 125	5962-8968701LA SNJ54ALS653JT	Samples
SN54ALS652JT	ACTIVE	CDIP	JT	24	1	TBD	A42	N / A for Pkg Type	-55 to 125	SN54ALS652JT	Samples
SN54AS652JT	ACTIVE	CDIP	JT	24	1	TBD	A42	N / A for Pkg Type	-55 to 125	SN54AS652JT	Samples
SN74ALS652A-1DW	ACTIVE	SOIC	DW	24	25	Green (RoHS & no Sb/Br)	CU NIPDAU	Level-1-260C-UNLIM	0 to 70	ALS652A-1	Samples
SN74ALS652A-1DWG4	ACTIVE	SOIC	DW	24	25	Green (RoHS & no Sb/Br)	CU NIPDAU	Level-1-260C-UNLIM	0 to 70	ALS652A-1	Samples
SN74ALS652ADW	ACTIVE	SOIC	DW	24	25	Green (RoHS & no Sb/Br)	CU NIPDAU	Level-1-260C-UNLIM	0 to 70	ALS652A	Samples
SN74ALS652ADWR	ACTIVE	SOIC	DW	24	2000	Green (RoHS & no Sb/Br)	CU NIPDAU	Level-1-260C-UNLIM	0 to 70	ALS652A	Samples
SN74ALS652ADWRE4	ACTIVE	SOIC	DW	24	2000	Green (RoHS & no Sb/Br)	CU NIPDAU	Level-1-260C-UNLIM	0 to 70	ALS652A	Samples
SN74ALS653DW	ACTIVE	SOIC	DW	24	25	Green (RoHS & no Sb/Br)	CU NIPDAU	Level-1-260C-UNLIM	0 to 70	ALS653	Samples
SN74ALS653DWE4	ACTIVE	SOIC	DW	24	25	Green (RoHS & no Sb/Br)	CU NIPDAU	Level-1-260C-UNLIM	0 to 70	ALS653	Samples
SN74ALS653DWR	ACTIVE	SOIC	DW	24	2000	Green (RoHS & no Sb/Br)	CU NIPDAU	Level-1-260C-UNLIM	0 to 70	ALS653	Samples
SN74ALS654DW	ACTIVE	SOIC	DW	24	25	Green (RoHS & no Sb/Br)	CU NIPDAU	Level-1-260C-UNLIM	0 to 70	ALS654	Samples

Orderable Device	Status (1)	Package Type	Package Drawing	Pins	Package Qty	Eco Plan (2)	Lead/Ball Finish (6)	MSL Peak Temp (3)	Op Temp (°C)	Device Marking (4/5)	Samples
SN74ALS654DWR	ACTIVE	SOIC	DW	24	2000	Green (RoHS & no Sb/Br)	CU NIPDAU	Level-1-260C-UNLIM	0 to 70	ALS654	Samples
SN74AS652DW	ACTIVE	SOIC	DW	24	25	Green (RoHS & no Sb/Br)	CU NIPDAU	Level-1-260C-UNLIM	0 to 70	AS652	Samples
SNJ54ALS652FK	ACTIVE	LCCC	FK	28	1	TBD	POST-PLATE	N / A for Pkg Type	-55 to 125	5962-88673013A SNJ54ALS652FK	Samples
SNJ54ALS652JT	ACTIVE	CDIP	JT	24	1	TBD	A42	N / A for Pkg Type	-55 to 125	5962-8867301LA SNJ54ALS652JT	Samples
SNJ54ALS653FK	ACTIVE	LCCC	FK	28	1	TBD	POST-PLATE	N / A for Pkg Type	-55 to 125	5962-89687013A SNJ54ALS653FK	Samples
SNJ54ALS653JT	ACTIVE	CDIP	JT	24	1	TBD	A42	N / A for Pkg Type	-55 to 125	5962-8968701LA SNJ54ALS653JT	Samples
SNJ54AS652JT	ACTIVE	CDIP	JT	24	1	TBD	A42	N / A for Pkg Type	-55 to 125	5962-8868701LA SNJ54AS652JT	Samples

(1) The marketing status values are defined as follows:

ACTIVE: Product device recommended for new designs.

LIFEBUY: TI has announced that the device will be discontinued, and a lifetime-buy period is in effect.

NRND: Not recommended for new designs. Device is in production to support existing customers, but TI does not recommend using this part in a new design.

PREVIEW: Device has been announced but is not in production. Samples may or may not be available.

OBSOLETE: TI has discontinued the production of the device.

(2) Eco Plan - The planned eco-friendly classification: Pb-Free (RoHS), Pb-Free (RoHS Exempt), or Green (RoHS & no Sb/Br) - please check <http://www.ti.com/productcontent> for the latest availability information and additional product content details.

TBD: The Pb-Free/Green conversion plan has not been defined.

Pb-Free (RoHS): TI's terms "Lead-Free" or "Pb-Free" mean semiconductor products that are compatible with the current RoHS requirements for all 6 substances, including the requirement that lead not exceed 0.1% by weight in homogeneous materials. Where designed to be soldered at high temperatures, TI Pb-Free products are suitable for use in specified lead-free processes.

Pb-Free (RoHS Exempt): This component has a RoHS exemption for either 1) lead-based flip-chip solder bumps used between the die and package, or 2) lead-based die adhesive used between the die and leadframe. The component is otherwise considered Pb-Free (RoHS compatible) as defined above.

Green (RoHS & no Sb/Br): TI defines "Green" to mean Pb-Free (RoHS compatible), and free of Bromine (Br) and Antimony (Sb) based flame retardants (Br or Sb do not exceed 0.1% by weight in homogeneous material)

(3) MSL, Peak Temp. - The Moisture Sensitivity Level rating according to the JEDEC industry standard classifications, and peak solder temperature.

(4) There may be additional marking, which relates to the logo, the lot trace code information, or the environmental category on the device.

(5) Multiple Device Markings will be inside parentheses. Only one Device Marking contained in parentheses and separated by a "~" will appear on a device. If a line is indented then it is a continuation of the previous line and the two combined represent the entire Device Marking for that device.

(6) Lead/Ball Finish - Orderable Devices may have multiple material finish options. Finish options are separated by a vertical ruled line. Lead/Ball Finish values may wrap to two lines if the finish value exceeds the maximum column width.

Important Information and Disclaimer:The information provided on this page represents TI's knowledge and belief as of the date that it is provided. TI bases its knowledge and belief on information provided by third parties, and makes no representation or warranty as to the accuracy of such information. Efforts are underway to better integrate information from third parties. TI has taken and continues to take reasonable steps to provide representative and accurate information but may not have conducted destructive testing or chemical analysis on incoming materials and chemicals. TI and TI suppliers consider certain information to be proprietary, and thus CAS numbers and other limited information may not be available for release.

In no event shall TI's liability arising out of such information exceed the total purchase price of the TI part(s) at issue in this document sold by TI to Customer on an annual basis.

OTHER QUALIFIED VERSIONS OF SN54ALS653, SN54AS652, SN74ALS653, SN74AS652 :

- Catalog: [SN74ALS653](#), [SN74AS652](#)
- Military: [SN54ALS653](#), [SN54AS652](#)

NOTE: Qualified Version Definitions:

- Catalog - TI's standard catalog product
- Military - QML certified for Military and Defense Applications

TAPE AND REEL INFORMATION
REEL DIMENSIONS

TAPE DIMENSIONS


A0	Dimension designed to accommodate the component width
B0	Dimension designed to accommodate the component length
K0	Dimension designed to accommodate the component thickness
W	Overall width of the carrier tape
P1	Pitch between successive cavity centers

TAPE AND REEL INFORMATION

*All dimensions are nominal

Device	Package Type	Package Drawing	Pins	SPQ	Reel Diameter (mm)	Reel Width W1 (mm)	A0 (mm)	B0 (mm)	K0 (mm)	P1 (mm)	W (mm)	Pin1 Quadrant
SN74ALS652ADWR	SOIC	DW	24	2000	330.0	24.4	10.75	15.7	2.7	12.0	24.0	Q1
SN74ALS653DWR	SOIC	DW	24	2000	330.0	24.4	10.75	15.7	2.7	12.0	24.0	Q1
SN74ALS654DWR	SOIC	DW	24	2000	330.0	24.4	10.75	15.7	2.7	12.0	24.0	Q1

TAPE AND REEL BOX DIMENSIONS

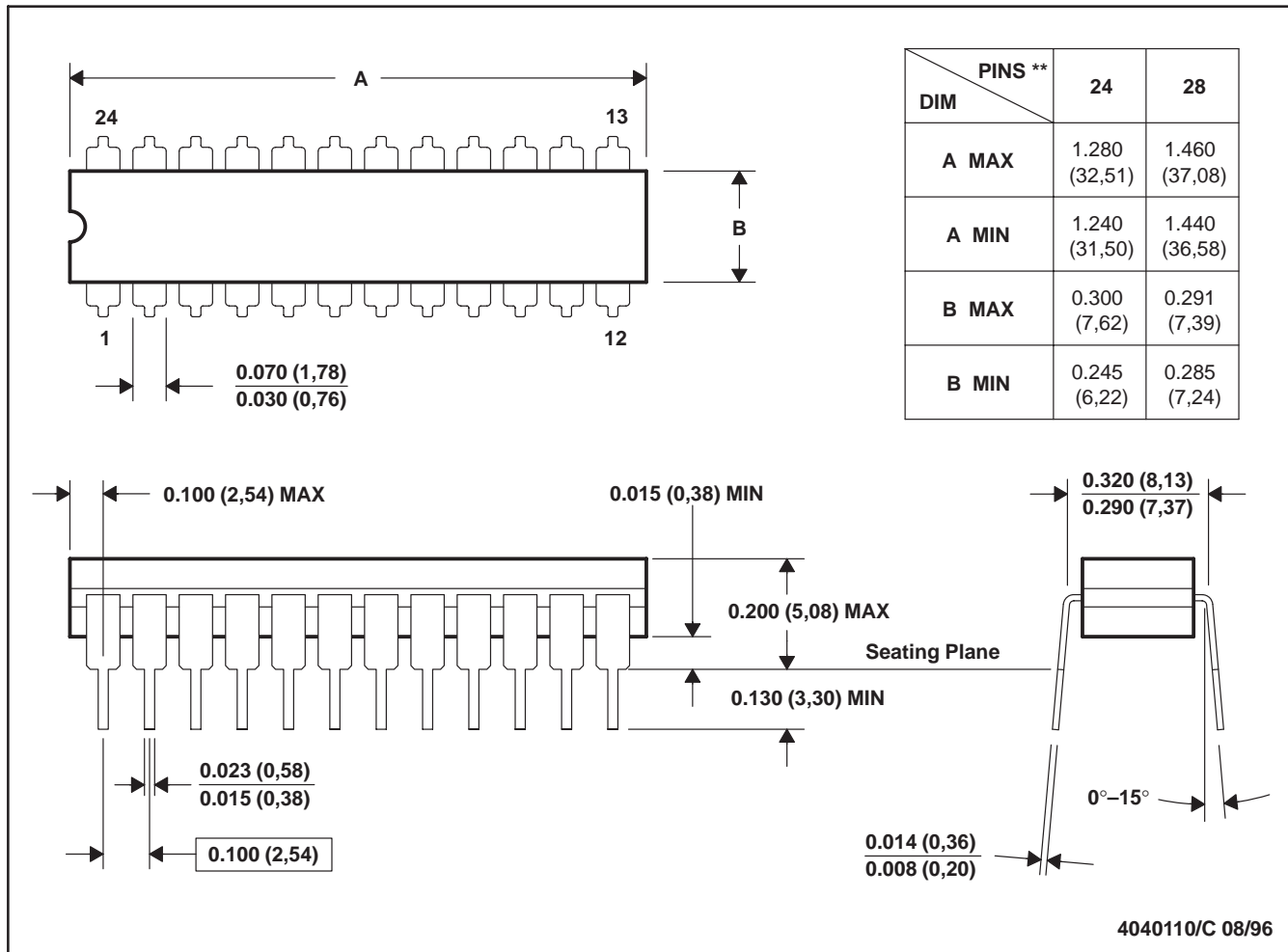

*All dimensions are nominal

Device	Package Type	Package Drawing	Pins	SPQ	Length (mm)	Width (mm)	Height (mm)
SN74ALS652ADWR	SOIC	DW	24	2000	367.0	367.0	45.0
SN74ALS653DWR	SOIC	DW	24	2000	367.0	367.0	45.0
SN74ALS654DWR	SOIC	DW	24	2000	367.0	367.0	45.0

JT (R-GDIP-T**)

CERAMIC DUAL-IN-LINE

24 LEADS SHOWN



- NOTES: A. All linear dimensions are in inches (millimeters).
 B. This drawing is subject to change without notice.
 C. This package can be hermetically sealed with a ceramic lid using glass frit.
 D. Index point is provided on cap for terminal identification.
 E. Falls within MIL STD 1835 GDIP3-T24, GDIP4-T28, and JEDEC MO-058 AA, MO-058 AB

FK (S-CQCC-N**)

LEADLESS CERAMIC CHIP CARRIER

28 TERMINAL SHOWN



NO. OF TERMINALS **	A		B	
	MIN	MAX	MIN	MAX
20	0.342 (8,69)	0.358 (9,09)	0.307 (7,80)	0.358 (9,09)
28	0.442 (11,23)	0.458 (11,63)	0.406 (10,31)	0.458 (11,63)
44	0.640 (16,26)	0.660 (16,76)	0.495 (12,58)	0.560 (14,22)
52	0.740 (18,78)	0.761 (19,32)	0.495 (12,58)	0.560 (14,22)
68	0.938 (23,83)	0.962 (24,43)	0.850 (21,6)	0.858 (21,8)
84	1.141 (28,99)	1.165 (29,59)	1.047 (26,6)	1.063 (27,0)

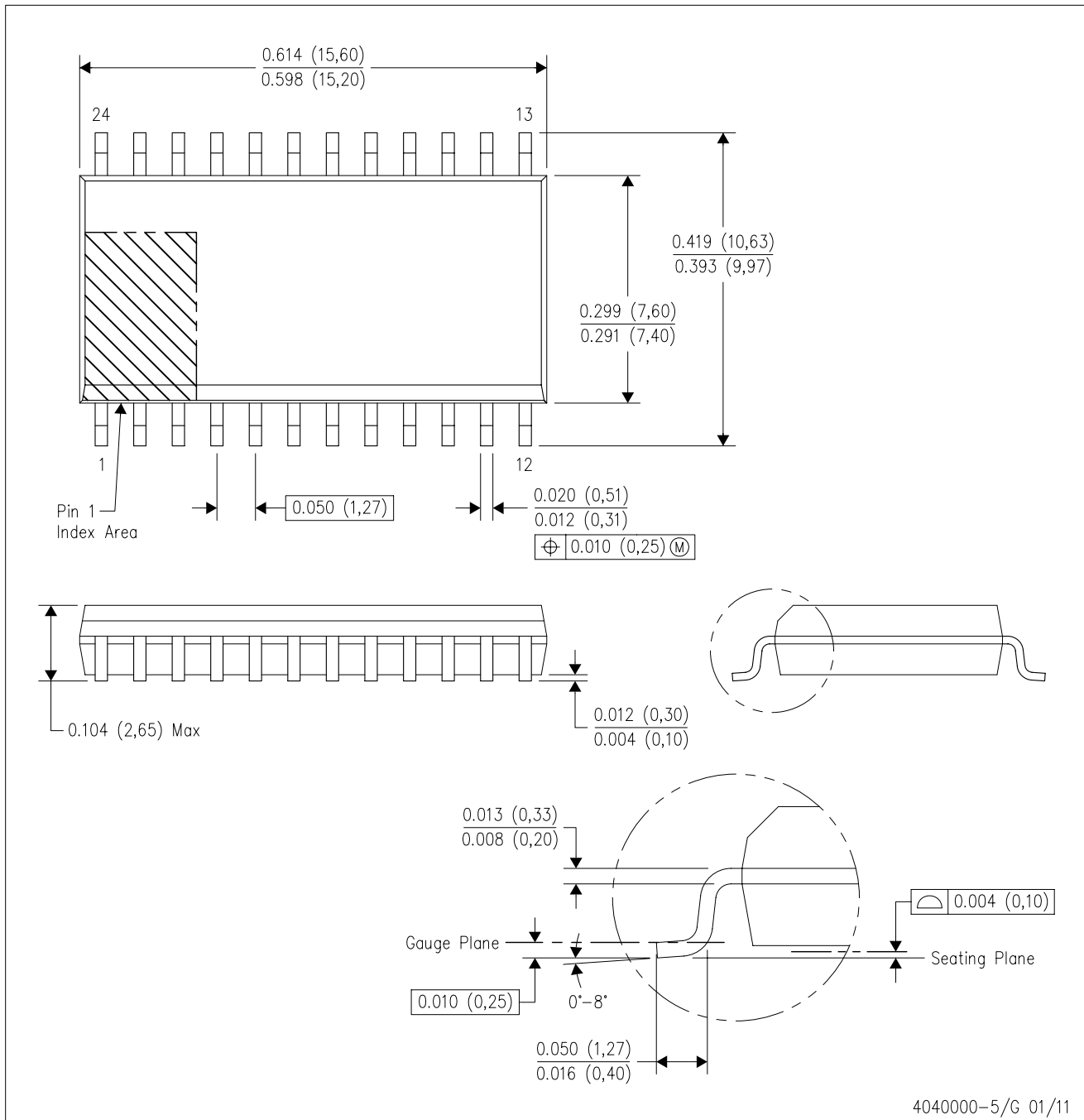


4040140/D 01/11

- NOTES:
- All linear dimensions are in inches (millimeters).
 - This drawing is subject to change without notice.
 - This package can be hermetically sealed with a metal lid.
 - Falls within JEDEC MS-004

DW (R-PDSO-G24)

PLASTIC SMALL OUTLINE



- NOTES:
- A. All linear dimensions are in inches (millimeters). Dimensioning and tolerancing per ASME Y14.5M-1994.
 - B. This drawing is subject to change without notice.
 - C. Body dimensions do not include mold flash or protrusion not to exceed 0.006 (0,15).
 - D. Falls within JEDEC MS-013 variation AD.

IMPORTANT NOTICE

Texas Instruments Incorporated (TI) reserves the right to make corrections, enhancements, improvements and other changes to its semiconductor products and services per JESD46, latest issue, and to discontinue any product or service per JESD48, latest issue. Buyers should obtain the latest relevant information before placing orders and should verify that such information is current and complete.

TI's published terms of sale for semiconductor products (<http://www.ti.com/sc/docs/stdterms.htm>) apply to the sale of packaged integrated circuit products that TI has qualified and released to market. Additional terms may apply to the use or sale of other types of TI products and services.

Reproduction of significant portions of TI information in TI data sheets is permissible only if reproduction is without alteration and is accompanied by all associated warranties, conditions, limitations, and notices. TI is not responsible or liable for such reproduced documentation. Information of third parties may be subject to additional restrictions. Resale of TI products or services with statements different from or beyond the parameters stated by TI for that product or service voids all express and any implied warranties for the associated TI product or service and is an unfair and deceptive business practice. TI is not responsible or liable for any such statements.

Buyers and others who are developing systems that incorporate TI products (collectively, "Designers") understand and agree that Designers remain responsible for using their independent analysis, evaluation and judgment in designing their applications and that Designers have full and exclusive responsibility to assure the safety of Designers' applications and compliance of their applications (and of all TI products used in or for Designers' applications) with all applicable regulations, laws and other applicable requirements. Designer represents that, with respect to their applications, Designer has all the necessary expertise to create and implement safeguards that (1) anticipate dangerous consequences of failures, (2) monitor failures and their consequences, and (3) lessen the likelihood of failures that might cause harm and take appropriate actions. Designer agrees that prior to using or distributing any applications that include TI products, Designer will thoroughly test such applications and the functionality of such TI products as used in such applications.

TI's provision of technical, application or other design advice, quality characterization, reliability data or other services or information, including, but not limited to, reference designs and materials relating to evaluation modules, (collectively, "TI Resources") are intended to assist designers who are developing applications that incorporate TI products; by downloading, accessing or using TI Resources in any way, Designer (individually or, if Designer is acting on behalf of a company, Designer's company) agrees to use any particular TI Resource solely for this purpose and subject to the terms of this Notice.

TI's provision of TI Resources does not expand or otherwise alter TI's applicable published warranties or warranty disclaimers for TI products, and no additional obligations or liabilities arise from TI providing such TI Resources. TI reserves the right to make corrections, enhancements, improvements and other changes to its TI Resources. TI has not conducted any testing other than that specifically described in the published documentation for a particular TI Resource.

Designer is authorized to use, copy and modify any individual TI Resource only in connection with the development of applications that include the TI product(s) identified in such TI Resource. NO OTHER LICENSE, EXPRESS OR IMPLIED, BY ESTOPPEL OR OTHERWISE TO ANY OTHER TI INTELLECTUAL PROPERTY RIGHT, AND NO LICENSE TO ANY TECHNOLOGY OR INTELLECTUAL PROPERTY RIGHT OF TI OR ANY THIRD PARTY IS GRANTED HEREIN, including but not limited to any patent right, copyright, mask work right, or other intellectual property right relating to any combination, machine, or process in which TI products or services are used. Information regarding or referencing third-party products or services does not constitute a license to use such products or services, or a warranty or endorsement thereof. Use of TI Resources may require a license from a third party under the patents or other intellectual property of the third party, or a license from TI under the patents or other intellectual property of TI.

TI RESOURCES ARE PROVIDED "AS IS" AND WITH ALL FAULTS. TI DISCLAIMS ALL OTHER WARRANTIES OR REPRESENTATIONS, EXPRESS OR IMPLIED, REGARDING RESOURCES OR USE THEREOF, INCLUDING BUT NOT LIMITED TO ACCURACY OR COMPLETENESS, TITLE, ANY EPIDEMIC FAILURE WARRANTY AND ANY IMPLIED WARRANTIES OF MERCHANTABILITY, FITNESS FOR A PARTICULAR PURPOSE, AND NON-INFRINGEMENT OF ANY THIRD PARTY INTELLECTUAL PROPERTY RIGHTS. TI SHALL NOT BE LIABLE FOR AND SHALL NOT DEFEND OR INDEMNIFY DESIGNER AGAINST ANY CLAIM, INCLUDING BUT NOT LIMITED TO ANY INFRINGEMENT CLAIM THAT RELATES TO OR IS BASED ON ANY COMBINATION OF PRODUCTS EVEN IF DESCRIBED IN TI RESOURCES OR OTHERWISE. IN NO EVENT SHALL TI BE LIABLE FOR ANY ACTUAL, DIRECT, SPECIAL, COLLATERAL, INDIRECT, PUNITIVE, INCIDENTAL, CONSEQUENTIAL OR EXEMPLARY DAMAGES IN CONNECTION WITH OR ARISING OUT OF TI RESOURCES OR USE THEREOF, AND REGARDLESS OF WHETHER TI HAS BEEN ADVISED OF THE POSSIBILITY OF SUCH DAMAGES.

Unless TI has explicitly designated an individual product as meeting the requirements of a particular industry standard (e.g., ISO/TS 16949 and ISO 26262), TI is not responsible for any failure to meet such industry standard requirements.

Where TI specifically promotes products as facilitating functional safety or as compliant with industry functional safety standards, such products are intended to help enable customers to design and create their own applications that meet applicable functional safety standards and requirements. Using products in an application does not by itself establish any safety features in the application. Designers must ensure compliance with safety-related requirements and standards applicable to their applications. Designer may not use any TI products in life-critical medical equipment unless authorized officers of the parties have executed a special contract specifically governing such use. Life-critical medical equipment is medical equipment where failure of such equipment would cause serious bodily injury or death (e.g., life support, pacemakers, defibrillators, heart pumps, neurostimulators, and implantables). Such equipment includes, without limitation, all medical devices identified by the U.S. Food and Drug Administration as Class III devices and equivalent classifications outside the U.S.

TI may expressly designate certain products as completing a particular qualification (e.g., Q100, Military Grade, or Enhanced Product). Designers agree that it has the necessary expertise to select the product with the appropriate qualification designation for their applications and that proper product selection is at Designers' own risk. Designers are solely responsible for compliance with all legal and regulatory requirements in connection with such selection.

Designer will fully indemnify TI and its representatives against any damages, costs, losses, and/or liabilities arising out of Designer's non-compliance with the terms and provisions of this Notice.