

## SN74AUP1T34 1-Bit Unidirectional Voltage-Level Translator

### 1 Features

- Wide Operating VCC Range of 0.9 V to 3.6 V
- Balanced Propagation Delays:  $t_{PLH} = t_{PHL}$  (1.8-V to 3.3-V Translation Typical)
- Low Static-Power Consumption: Maximum of 5- $\mu$ A ICC
- $\pm 6$ -mA Output Drive at 3 V
- $I_{off}$  Supports Partial Power-Down-Mode Operation
- VCC Isolation Feature – If  $V_{CCA}$  Input Is at GND, B Port Is in the High-Impedance state
- Input Hysteresis Allows Slow Input Transition and Better Switching Noise Immunity at Input
- ESD Protection Exceeds JESD 22
- 5000-V Human-Body Model (A114-A)
- Latch-Up Performance Exceeds 100 mA Per JESD 78, Class II

### 2 Applications

- Enterprise
- Industrial
- Personal Electronics
- Telecommunications

### 3 Description

The SN74AUP1T34 device is a 1-bit noninverting translator that uses two separate configurable power-supply rails. It is a uni-directional translator from A to B. The A port is designed to track  $V_{CCA}$ .  $V_{CCA}$  accepts supply voltages from 0.9 V to 3.6 V. The B port is designed to track  $V_{CCB}$ .  $V_{CCB}$  accepts supply voltages from 0.9 V to 3.6 V. This allows for low-voltage translation between 1-V, 1.2-V, 1.5-V, 1.8-V, 2.5-V, and 3.3-V voltage nodes. The SN74AUP1T34 is also fully specified for partial-power-down applications using  $I_{off}$ . The  $I_{off}$  circuitry disables the outputs, preventing damaging current backflow through the device when it is powered down.

The VCC isolation feature ensures that if  $V_{CCA}$  input is at GND, the B port is in the high-impedance state. If  $V_{CCB}$  input is at GND, any input to the A side does not cause the leakage current even floating.

#### Device Information<sup>(1)</sup>

PART NUMBER	PACKAGE	BODY SIZE (NOM)
SN74AUP1T34	SC70 (5)	2.00 mm x 1.25 mm
	SON (6)	1.45 mm x 1.00 mm
		1.00 mm x 1.00 mm

(1) For all available packages, see the orderable addendum at the end of the data sheet.

#### Example Application



Copyright © 2016, Texas Instruments Incorporated



## Table of Contents

<b>1 Features</b> .....	<b>1</b>	8.3 Feature Description.....	<b>10</b>
<b>2 Applications</b> .....	<b>1</b>	8.4 Device Functional Modes.....	<b>10</b>
<b>3 Description</b> .....	<b>1</b>	<b>9 Application and Implementation</b> .....	<b>11</b>
<b>4 Revision History</b> .....	<b>2</b>	9.1 Application Information.....	<b>11</b>
<b>5 Pin Configuration and Functions</b> .....	<b>3</b>	9.2 Typical Application .....	<b>11</b>
<b>6 Specifications</b> .....	<b>3</b>	<b>10 Power Supply Recommendations</b> .....	<b>13</b>
6.1 Absolute Maximum Ratings .....	<b>3</b>	<b>11 Layout</b> .....	<b>13</b>
6.2 ESD Ratings.....	<b>3</b>	11.1 Layout Guidelines .....	<b>13</b>
6.3 Recommended Operating Conditions .....	<b>4</b>	11.2 Layout Example .....	<b>13</b>
6.4 Thermal Information .....	<b>5</b>	<b>12 Device and Documentation Support</b> .....	<b>14</b>
6.5 AC Electrical Characteristics.....	<b>5</b>	12.1 Community Resources.....	<b>14</b>
6.6 Typical Characteristics.....	<b>9</b>	12.2 Trademarks .....	<b>14</b>
<b>7 Parameter Measurement Information</b> .....	<b>9</b>	12.3 Electrostatic Discharge Caution.....	<b>14</b>
<b>8 Detailed Description</b> .....	<b>10</b>	12.4 Glossary .....	<b>14</b>
8.1 Overview .....	<b>10</b>	<b>13 Mechanical, Packaging, and Orderable Information</b> .....	<b>14</b>
8.2 Functional Block Diagram .....	<b>10</b>		

## 4 Revision History

NOTE: Page numbers for previous revisions may differ from page numbers in the current version.

### Changes from Revision D (April 2016) to Revision E Page

- Changed pin A number From: 3 To: 2 and GND From: 2 To: 3 for the SC70 package in the [Pin Configuration and Functions](#) .....

**3**

### Changes from Revision C (May 2013) to Revision D Page

- Added *ESD Ratings* table, *Feature Description* section, *Device Functional Modes*, *Application and Implementation* section, *Power Supply Recommendations* section, *Layout* section, *Device and Documentation Support* section, and *Mechanical, Packaging, and Orderable Information* section. ....
- Removed *Ordering Information* table .....

**1**

**1**

### Changes from Revision B (July 2012) to Revision C Page

- Added Feature: VCC Isolation Feature – If  $V_{CCA}$  Input Is at GND, B Port Is in the High-Impedance state. ....
- Updated PIN FUNCTIONS table. ....
- Deleted  $I_{OZ}$  PARAMETER from RECOMMENDED OPERATION CONDITIONS. ....
- Added  $V_{MI}$  and  $V_{MO}$  equations to Waveform 1 graphic.....
- Added FUNCTION TABLE. ....

**1**

**3**

**4**

**8**

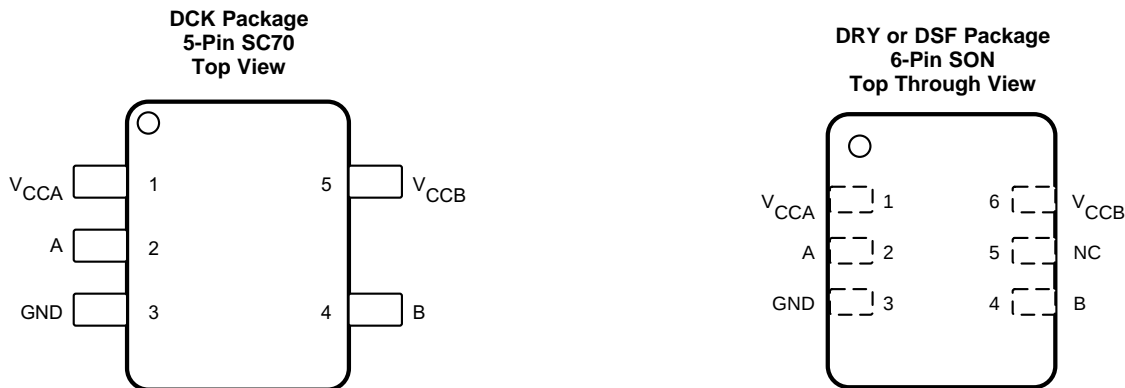
**10**

### Changes from Revision A (June 2012) to Revision B Page

- Removed Feature: Output Enable Feature Allows User to Disable Outputs to Reduce Power Consumption. ....

**1**

## 5 Pin Configuration and Functions



### Pin Functions

NAME	PIN		I/O	DESCRIPTION
	SC70	SON		
A	2	2	I	Input Port
B	4	4	O	Output Port
GND	3	3	—	Ground
V <sub>CCA</sub>	1	1	—	Input Port DC Power Supply
V <sub>CCB</sub>	5	6	—	Output Port DC Power Supply
NC	—	5	—	No Connect. Leave floating.

## 6 Specifications

### 6.1 Absolute Maximum Ratings

over operating free-air temperature range (unless otherwise noted)

		MIN	MAX	UNIT	
V <sub>CCA</sub> , V <sub>CCB</sub>	Supply voltage	-0.3	4	V	
V <sub>I</sub>	Input voltage	-0.5	4.6	V	
		-0.5	4.6		
		-0.5	4.6		
V <sub>O</sub>	Voltage applied to any output in the high-impedance or power-off state	-0.5	4.6	V	
		-0.5	4.6		
	Voltage applied to any output in the high or low state	-0.5	4.6	V	
		-0.5	4.6		
I <sub>IK</sub>	Input clamp current	V <sub>I</sub> < 0 V		-50	mA
I <sub>OK</sub>	Output clamp current	V <sub>O</sub> < 0 V		-50	mA
I <sub>O</sub>	Continuous output current			±50	mA
	Continuous current through V <sub>CCA</sub> or GND			±100	mA
T <sub>stg</sub>	Storage temperature	-65	150	°C	

### 6.2 ESD Ratings

		VALUE	UNIT
V <sub>(ESD)</sub>	Electrostatic discharge	Human-body model (HBM), per ANSI/ESDA/JEDEC JS-001 <sup>(1)</sup>	5000
		Charged-device model (CDM), per JEDEC specification JESD22-C101 <sup>(2)</sup>	750

(1) JEDEC document JEP155 states that 500-V HBM allows safe manufacturing with a standard ESD control process.

(2) JEDEC document JEP157 states that 250-V CDM allows safe manufacturing with a standard ESD control process.

### 6.3 Recommended Operating Conditions

over operating free-air temperature range (unless otherwise noted)

PARAMETER		TEST CONDITIONS	VCCA	VCCB	MIN	MAX	UNIT
$V_{CCA}, V_{CCB}$	Supply voltage				0.9	3.6	V
$V_{IH}$	High-level input voltage		0.9 V to 1.95 V	0.9 to 1.95V	$0.65 \times V_{CCA}$		V
			2.3 V to 2.7 V	0.9 to 3.6V	1.6		
			3 V to 3.6 V	0.9 to 3.6V	2		
$V_{IL}$	Low-level input voltage		0.9 V	0.9 to 1.95V	$0.3 \times V_{CCA}$		V
			1 V to 1.95 V	0.9 to 1.95V	$0.35 \times V_{CCA}$		
			2.3 V to 2.7 V	0.9 to 3.6V	0.7		
			3 V to 3.6 V	0.9 to 3.6V	0.9		
$\Delta t/\Delta v$	Input transition rise or fall rate		3 V to 3.6 V	0.9 to 3.6V		200	ns/V
$T_A$	Operating free-air temperature				-40	85	°C
$V_{OH}$		$I_{OH} = -100 \mu A$ $I_{OH} = -0.25 mA$ $I_{OH} = -1.5 mA$ $I_{OH} = -2 mA$ $I_{OH} = -3 mA$ $I_{OH} = -6 mA$	$V_I = V_{IH}$	0.9 V to 3.6 V	0.9 V to 3.6 V	$V_{CCB} - 0.2$	V
				0.9 V 1 V	0.9 V 1V	$0.75 \times V_{CCB}$	
				1.2 V	1.2 V	1	
				1.65 V	1.65 V	1.32	
				2.3 V	2.3 V	1.9	
				3 V	3 V	2.72	
$V_{OL}$		$I_{OL} = 100 \mu A$ $I_{OL} = 0.25 mA$ $I_{OL} = 1.5 mA$ $I_{OL} = 2 mA$ $I_{OL} = 3 mA$ $I_{OL} = 6 mA$	$V_I = V_{IL}$	0.9 V to 3.6 V	0.9 V to 3.6 V	0.1	V
				0.9 V to 1 V	0.9 V 1V	0.1	
				1.2 V	1.2 V	$0.3 \times V_{CCB}$	
				1.65 V	1.65 V	0.31	
				2.3 V	2.3 V	0.31	
				3 V	3 V	0.31	
$I_I$	Control inputs	$V_I = V_{CCA}$ or GND	0.9 V to 3.6 V	0.9 V to 3.6 V		$\pm 1$	$\mu A$
$I_{off}$	A or B port	$V_I$ or $V_O = 0$ to 3.6 V	0 V	0 V to 3.6 V		$\pm 5$	$\mu A$
			0 V to 3.6 V	0 V		$\pm 5$	
$I_{CCA}$		$V_I = V_{CCI}$ or GND, $I_O = 0 mA$	0.9 V to 3.6 V	0.9 V to 3.6 V		5	$\mu A$
			0.9 V to 3.6 V	VCCA		2	
			0 V	0 V to 3.6 V		1	
			0 V to 3.6 V	0 V		1	
$I_{CCB}$		$V_I = V_{CCI}$ or GND, $I_O = 0 mA$	0.9 V to 3.6 V	0.9 V to 3.6 V		5	$\mu A$
			0.9 V to 3.6 V	VCCA		2	
			0 V	0 V to 3.6 V		1	
			0 V to 3.6 V	0 V		1	
$I_{CCA} + I_{CCB}$		$V_I = V_{CCI}$ or GND, $I_O = 0 mA$	0.9 V to 3.6 V	0.9 V to 3.6 V		5.2	$\mu A$
$C_i$	Control inputs	$V_I = 3.3 V$ or GND	3.3 V	3.3 V		4	pF
$C_{io}$	A or B port	$V_O = 3.3 V$ or GND	0 V	3.3 V		7	pF

## 6.4 Thermal Information

THERMAL METRIC <sup>(1)</sup>		SN74AUP1T34			UNIT
		DCK (SC70)	DRY (SON)	DSF (SON)	
		5 PINS	6 PINS	6 PINS	
R <sub>θJA</sub>	Junction-to-ambient thermal resistance	300.8	338.5	367.1	°C/W
R <sub>θJC(top)</sub>	Junction-to-case (top) thermal resistance	141.3	240.4	188.8	°C/W
R <sub>θJB</sub>	Junction-to-board thermal resistance	77.3	224.6	274.6	°C/W
ψ <sub>JT</sub>	Junction-to-top characterization parameter	12.6	86.8	24.1	°C/W
ψ <sub>JB</sub>	Junction-to-board characterization parameter	76.5	221.4	273.1	°C/W

(1) For more information about traditional and new thermal metrics, see the *Semiconductor and IC Package Thermal Metrics* application report, [SPRA953](#).

## 6.5 AC Electrical Characteristics

over operating free-air temperature range (unless otherwise noted)

PARAMETER	C <sub>L</sub>	VCCA	VCCB	MIN	TYP	MAX	UNIT	
t <sub>PLH</sub> /t <sub>PHL</sub>	5 pF	0.9 V	VCCB = 0.9 V		25		ns	
			VCCB = 1.2 V		18			
			VCCB = 1.65 V		16.2			
			VCCB = 2.3 V		16.3			
			VCCB = 3 V		16.8			
	5 pF	1.2 V	VCCB = 0.9 V					42.5
			VCCB = 1.2 V					24.9
			VCCB = 1.65 V					23.2
			VCCB = 2.3 V					22.6
			VCCB = 3 V					22.5
	5 pF	1.65 V	VCCB = 0.9 V					40
			VCCB = 1.2 V					10.7
			VCCB = 1.65 V					8.84
			VCCB = 2.3 V					8.08
			VCCB = 3 V					7.88
	5 pF	2.3 V	VCCB = 0.9 V					41.3
			VCCB = 1.2 V					8.02
			VCCB = 1.65 V					5.73
			VCCB = 2.3 V					4.92
			VCCB = 3 V					4.2
5 pF	3 V	VCCB = 0.9 V				42.5		
		VCCB = 1.2 V				7.61		
		VCCB = 1.65 V				4.5		
		VCCB = 2.3 V				3.65		
		VCCB = 3 V				3.39		

**AC Electrical Characteristics (continued)**

over operating free-air temperature range (unless otherwise noted)

PARAMETER	$C_L$	VCCA	VCCB	MIN	TYP	MAX	UNIT	
$t_{PLH}/t_{PHL}$	10 pF	0.9 V	VCCB = 0.9 V		28.9		ns	
			VCCB = 1.2 V		19.8			
			VCCB = 1.65 V		17.9			
			VCCB = 2.3 V		18			
			VCCB = 3 V		18.5			
	10 pF	1.2 V	VCCB = 0.9 V					43.22
			VCCB = 1.2 V					12.33
			VCCB = 1.65 V					9.57
			VCCB = 2.3 V					8.81
			VCCB = 3 V					8.61
	10 pF	1.65 V	VCCB = 0.9 V					40.44
			VCCB = 1.2 V					9.21
			VCCB = 1.65 V					6.57
			VCCB = 2.3 V					5.5
			VCCB = 3 V					4.73
	10 pF	2.3 V	VCCB = 0.9 V					41.56
			VCCB = 1.2 V					8.3
			VCCB = 1.65 V					5.54
			VCCB = 2.3 V					4.42
			VCCB = 3 V					4.01
10 pF	3 V	VCCB = 0.9 V				42.81		
		VCCB = 1.2 V				7.87		
		VCCB = 1.65 V				4.55		
		VCCB = 2.3 V				3.8		
		VCCB = 3 V				3.36		

**AC Electrical Characteristics (continued)**

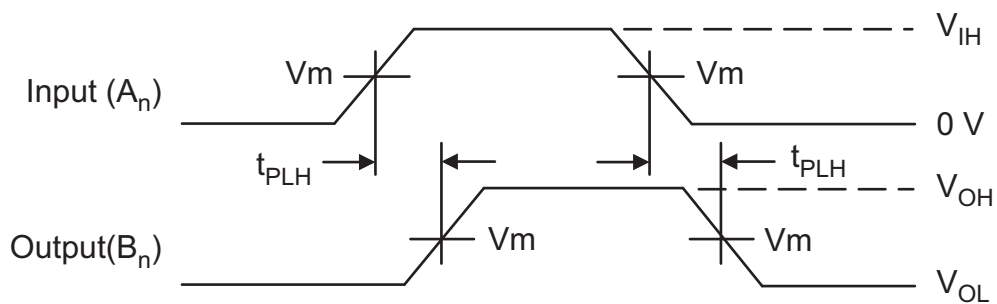
over operating free-air temperature range (unless otherwise noted)

PARAMETER	C <sub>L</sub>	VCCA	VCCB	MIN	TYP	MAX	UNIT	
t <sub>PLH</sub> /t <sub>PHL</sub>	15 pF	0.9 V	VCCB = 0.9 V		30.6		ns	
			VCCB = 1.2 V		21.6			
			VCCB = 1.65 V		19.6			
			VCCB = 2.3 V		19.7			
			VCCB = 3 V		20.3			
	15 pF	1.2 V	VCCB = 0.9 V					43.87
			VCCB = 1.2 V					12.98
			VCCB = 1.65 V					10.3
			VCCB = 2.3 V					9.54
			VCCB = 3 V					9.34
	15 pF	1.65 V	VCCB = 0.9 V					40.78
			VCCB = 1.2 V					9.59
			VCCB = 1.65 V					6.95
			VCCB = 2.3 V					5.87
			VCCB = 3 V					5.07
	15 pF	2.3 V	VCCB = 0.9 V					41.79
			VCCB = 1.2 V					8.55
			VCCB = 1.65 V					5.8
			VCCB = 2.3 V					4.68
			VCCB = 3 V					4.27
15 pF	3 V	VCCB = 0.9 V				43.09		
		VCCB = 1.2 V				8.16		
		VCCB = 1.65 V				4.84		
		VCCB = 2.3 V				4.09		
		VCCB = 3 V				3.65		

### AC Electrical Characteristics (continued)

over operating free-air temperature range (unless otherwise noted)

PARAMETER	C <sub>L</sub>	VCCA	VCCB	MIN	TYP	MAX	UNIT	
t <sub>PLH</sub> /t <sub>PHL</sub>	30 pF	0.9 V	VCCB = 0.9 V		32.1		ns	
			VCCB = 1.2 V		21.3			
			VCCB = 1.65 V		18.7			
			VCCB = 2.3 V		18			
			VCCB = 3 V		18.3			
	30 pF	1.2 V	VCCB = 0.9 V			45.65		
			VCCB = 1.2 V			14.76		
			VCCB = 1.65 V			12.37		
			VCCB = 2.3 V			11.61		
			VCCB = 3 V			11.41		
	30 pF	1.65 V	VCCB = 0.9 V			41.72		
			VCCB = 1.2 V			10.65		
			VCCB = 1.65 V			8.01		
			VCCB = 2.3 V			6.94		
			VCCB = 3 V			5.99		
	30 pF	2.3 V	VCCB = 0.9 V			42.44		
			VCCB = 1.2 V			9.26		
			VCCB = 1.65 V			6.51		
			VCCB = 2.3 V			5.39		
			VCCB = 3 V			4.97		
30 pF	3 V	VCCB = 0.9 V			43.69			
		VCCB = 1.2 V			8.8			
		VCCB = 1.65 V			5.48			
		VCCB = 2.3 V			4.72			
		VCCB = 3 V			4.28			



$$V_{MI} = V_{IH}/2; V_{MO} = V_{CCB}/2$$

$$t_R = t_F = 2.0 \text{ ns, 10\% to 90\%; } f = 1 \text{ MHz; } t_W = 500 \text{ ns}$$

Figure 1. Waveform 1 – Propagation Delays



## 6.6 Typical Characteristics

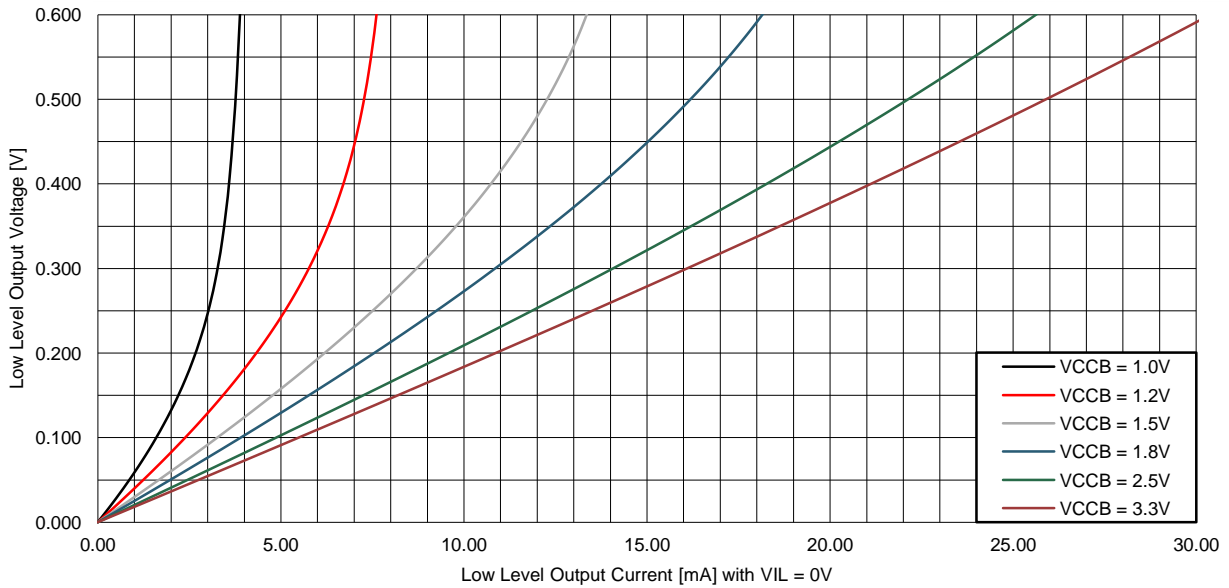
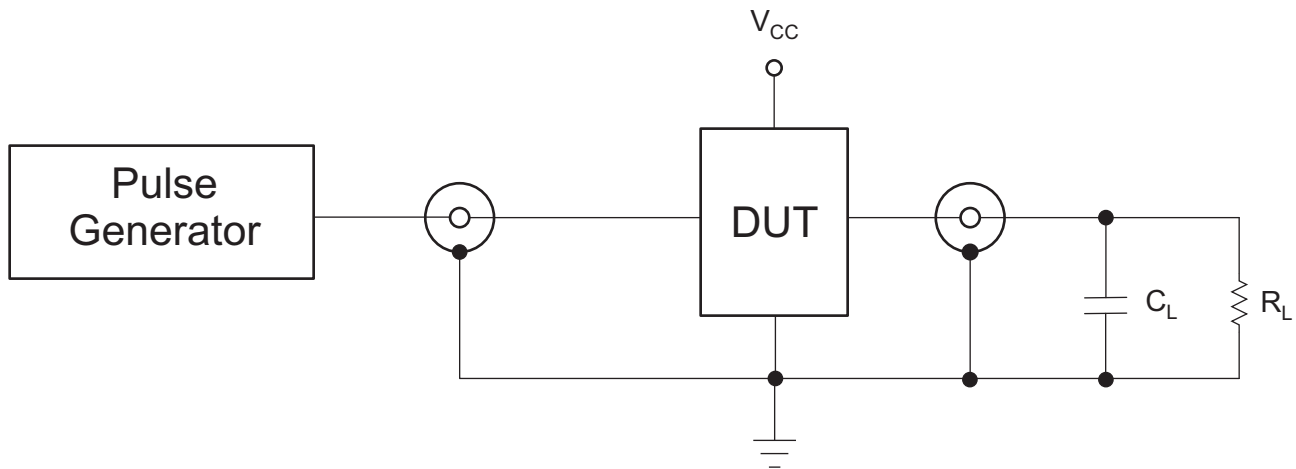


Figure 2. Low Level Output Voltage vs Low Level Output Current

## 7 Parameter Measurement Information



### TEST

$t_{PLH}$ ,  $t_{PHL}$

$C_L$  = 5 pF, 10 pF, 15 pF, 30 pF or equivalent (includes probe and jig capacitance)

$R_L$  = 1 M $\Omega$  or equivalent

$Z_{OUT}$  of pulse generator = 50  $\Omega$

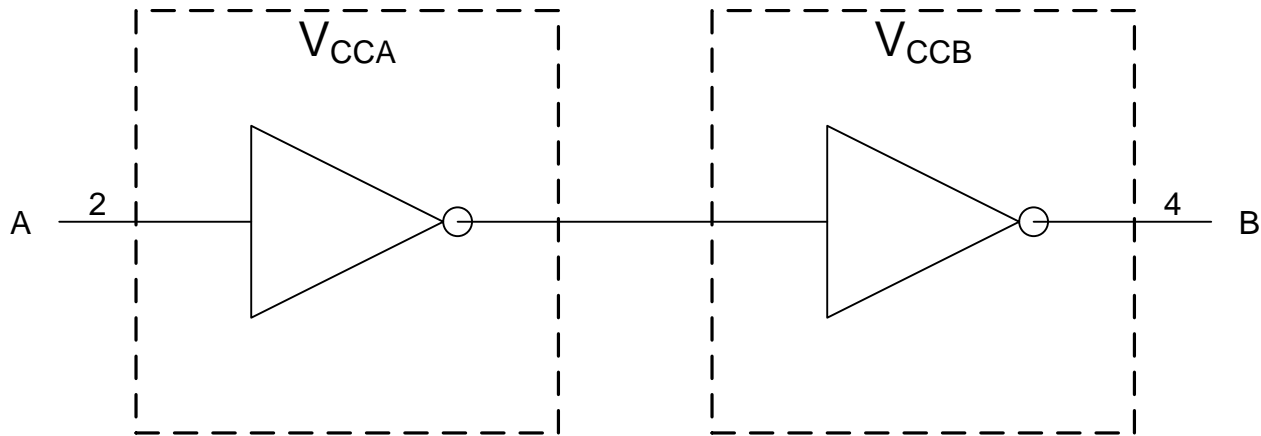
Figure 3. AC (Propagation Delay) Test Circuit

## 8 Detailed Description

### 8.1 Overview

The SN74AUP1T34 is a unidirectional, single-bit, dual-supply, noninverting voltage-level translator. Pin A, which is referenced to  $V_{CCA}$ , receives the signal that is to be level translated. Pin B, which is referenced to  $V_{CCB}$ , transmits the level translated signal. Both supply pins  $V_{CCA}$  and  $V_{CCB}$  support a voltage range from 0.9 V to 3.6 V.

### 8.2 Functional Block Diagram



Copyright © 2016, Texas Instruments Incorporated

### 8.3 Feature Description

#### 8.3.1 Fully Configurable Dual-Rail Design

Both  $V_{CCA}$  and  $V_{CCB}$  can be supplied at any voltage from 0.9 V to 3.6 V, making the device suitable for translating between any of the voltage nodes (1 V, 1.2 V, 1.8 V, 2.5 V, and 3.3 V).

#### 8.3.2 Partial-Power-Down Mode Operation

$I_{off}$  circuitry disables the outputs, preventing damaging current backflow through the SN74AUP1T34 when it is powered down. This can occur in applications where subsections of a system are powered down (partial-power-down) to reduce power consumption.

#### 8.3.3 $V_{CC}$ Isolation

The  $V_{CC}$  isolation feature ensures that if either  $V_{CCA}$  or  $V_{CCB}$  are at GND (or < 0.4 V), both ports A and B are set to a high-impedance state, preventing false logic levels from being presented to either bus.

#### 8.3.4 Input Hysteresis

Input hysteresis allows the input to support slew rates as slow as 200 ns/V, improving switching noise immunity.

### 8.4 Device Functional Modes

Table 1 lists the functional modes of the SN74AUP1T34.

**Table 1. Function Table**

INPUT	OUTPUT
A PORT	B PORT
L	L
H	H

## 9 Application and Implementation

### NOTE

Information in the following applications sections is not part of the TI component specification, and TI does not warrant its accuracy or completeness. TI's customers are responsible for determining suitability of components for their purposes. Customers should validate and test their design implementation to confirm system functionality.

### 9.1 Application Information

The SN74AUP1T34 can be used in level-translation applications for interfacing devices or systems operating at different interface voltages with one another.

### 9.2 Typical Application

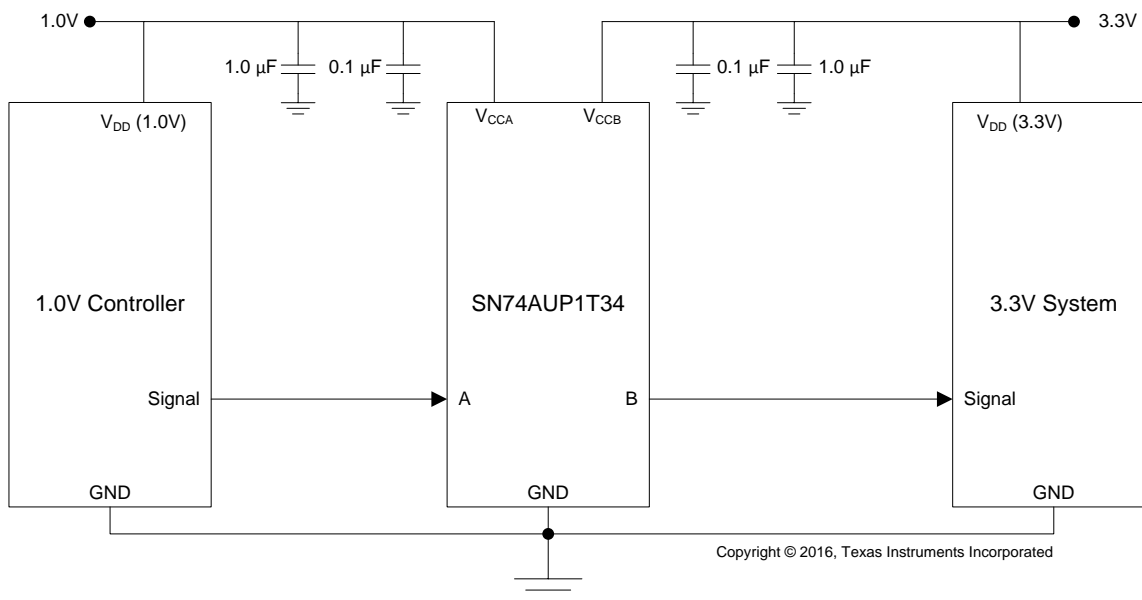


Figure 4. Typical Application Example

#### 9.2.1 Design Requirements

Table 2 lists the design requirements of the SN74AUP1T34.

Table 2. Design Parameters

DESIGN PARAMETER	EXAMPLE VALUE
Input Voltage Range	0.9 V to 3.6 V
Output Voltage Range	0.9 V to 3.6 V

#### 9.2.2 Detailed Design Procedure

To begin the design process, determine the following:

- Input voltage range
  - Use the supply voltage of the device that is driving the SN74AUP1T34 device to determine the input voltage range. For a valid logic-high, the value must exceed the  $V_{IH}$  of the input port. For a valid logic low the value must be less than the  $V_{IL}$  of the input port.
- Output voltage range
  - Use the supply voltage of the device that the SN74AUP1T34 device is driving to determine the output voltage range.

9.2.3 Application Curve

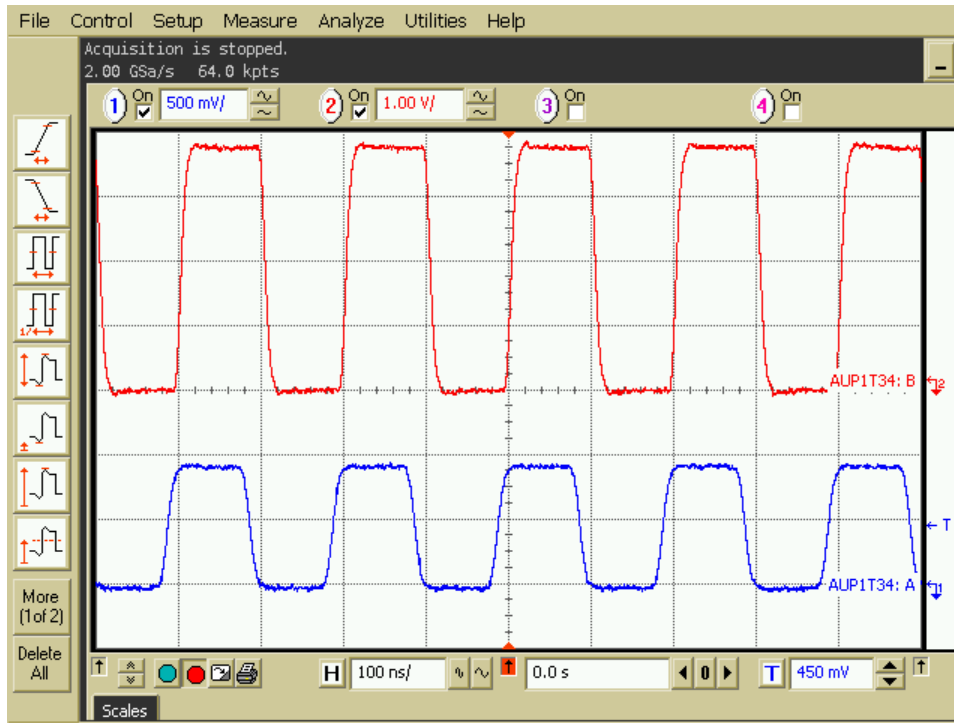


Figure 5. 10-MHz Up Translation (0.9 V to 3.6 V)

## 10 Power Supply Recommendations

Connect ground before applying either  $V_{CCA}$  or  $V_{CCB}$ . There is no specific power sequence requirement for the SN74AUP1T34.  $V_{CCA}$  or  $V_{CCB}$  may be powered up first, and  $V_{CCA}$  or  $V_{CCB}$  may be powered down first.

## 11 Layout

### 11.1 Layout Guidelines

To ensure reliability of the device, TI recommends following common printed-circuit board layout guidelines is recommended.

- Bypass capacitors must be used on power supplies.
- Short trace lengths must be used to avoid excessive loading.
- Placing pads on the signal paths for loading capacitors or pullup resistors helps adjust rise and fall times of signals depending on the system requirements.

### 11.2 Layout Example

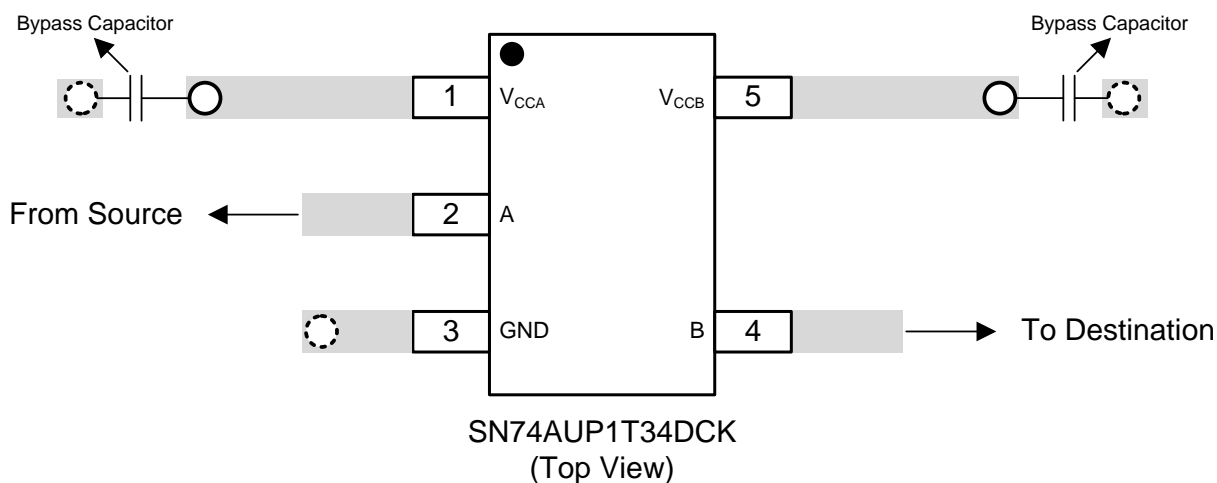
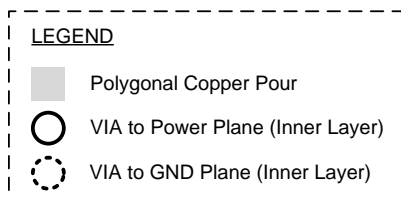


Figure 6. Example Layout

## 12 Device and Documentation Support

### 12.1 Community Resources

The following links connect to TI community resources. Linked contents are provided "AS IS" by the respective contributors. They do not constitute TI specifications and do not necessarily reflect TI's views; see TI's [Terms of Use](#).

**TI E2E™ Online Community** *TI's Engineer-to-Engineer (E2E) Community*. Created to foster collaboration among engineers. At [e2e.ti.com](http://e2e.ti.com), you can ask questions, share knowledge, explore ideas and help solve problems with fellow engineers.

**Design Support** *TI's Design Support* Quickly find helpful E2E forums along with design support tools and contact information for technical support.

### 12.2 Trademarks

E2E is a trademark of Texas Instruments.  
All other trademarks are the property of their respective owners.

### 12.3 Electrostatic Discharge Caution



These devices have limited built-in ESD protection. The leads should be shorted together or the device placed in conductive foam during storage or handling to prevent electrostatic damage to the MOS gates.

### 12.4 Glossary

[SLYZ022](#) — *TI Glossary*.

This glossary lists and explains terms, acronyms, and definitions.

## 13 Mechanical, Packaging, and Orderable Information

The following pages include mechanical, packaging, and orderable information. This information is the most current data available for the designated devices. This data is subject to change without notice and revision of this document. For browser-based versions of this data sheet, refer to the left-hand navigation.

**PACKAGING INFORMATION**

Orderable Device	Status (1)	Package Type	Package Drawing	Pins	Package Qty	Eco Plan (2)	Lead/Ball Finish (6)	MSL Peak Temp (3)	Op Temp (°C)	Device Marking (4/5)	Samples
SN74AUP1T34DCKR	ACTIVE	SC70	DCK	5	3000	Green (RoHS & no Sb/Br)	CU NIPDAU	Level-1-260C-UNLIM	-40 to 85	U2E	<a href="#">Samples</a>
SN74AUP1T34DRYR	ACTIVE	SON	DRY	6	5000	Green (RoHS & no Sb/Br)	CU NIPDAU	Level-1-260C-UNLIM	-40 to 85	U2	<a href="#">Samples</a>
SN74AUP1T34DSFR	ACTIVE	SON	DSF	6	5000	Green (RoHS & no Sb/Br)	CU NIPDAU	Level-1-260C-UNLIM	-40 to 85	U2	<a href="#">Samples</a>

(1) The marketing status values are defined as follows:

**ACTIVE:** Product device recommended for new designs.

**LIFEBUY:** TI has announced that the device will be discontinued, and a lifetime-buy period is in effect.

**NRND:** Not recommended for new designs. Device is in production to support existing customers, but TI does not recommend using this part in a new design.

**PREVIEW:** Device has been announced but is not in production. Samples may or may not be available.

**OBsolete:** TI has discontinued the production of the device.

(2) Eco Plan - The planned eco-friendly classification: Pb-Free (RoHS), Pb-Free (RoHS Exempt), or Green (RoHS & no Sb/Br) - please check <http://www.ti.com/productcontent> for the latest availability information and additional product content details.

**TBD:** The Pb-Free/Green conversion plan has not been defined.

**Pb-Free (RoHS):** TI's terms "Lead-Free" or "Pb-Free" mean semiconductor products that are compatible with the current RoHS requirements for all 6 substances, including the requirement that lead not exceed 0.1% by weight in homogeneous materials. Where designed to be soldered at high temperatures, TI Pb-Free products are suitable for use in specified lead-free processes.

**Pb-Free (RoHS Exempt):** This component has a RoHS exemption for either 1) lead-based flip-chip solder bumps used between the die and package, or 2) lead-based die adhesive used between the die and leadframe. The component is otherwise considered Pb-Free (RoHS compatible) as defined above.

**Green (RoHS & no Sb/Br):** TI defines "Green" to mean Pb-Free (RoHS compatible), and free of Bromine (Br) and Antimony (Sb) based flame retardants (Br or Sb do not exceed 0.1% by weight in homogeneous material)

(3) MSL, Peak Temp. - The Moisture Sensitivity Level rating according to the JEDEC industry standard classifications, and peak solder temperature.

(4) There may be additional marking, which relates to the logo, the lot trace code information, or the environmental category on the device.

(5) Multiple Device Markings will be inside parentheses. Only one Device Marking contained in parentheses and separated by a "~" will appear on a device. If a line is indented then it is a continuation of the previous line and the two combined represent the entire Device Marking for that device.

(6) Lead/Ball Finish - Orderable Devices may have multiple material finish options. Finish options are separated by a vertical ruled line. Lead/Ball Finish values may wrap to two lines if the finish value exceeds the maximum column width.

**Important Information and Disclaimer:** The information provided on this page represents TI's knowledge and belief as of the date that it is provided. TI bases its knowledge and belief on information provided by third parties, and makes no representation or warranty as to the accuracy of such information. Efforts are underway to better integrate information from third parties. TI has taken and

continues to take reasonable steps to provide representative and accurate information but may not have conducted destructive testing or chemical analysis on incoming materials and chemicals. TI and TI suppliers consider certain information to be proprietary, and thus CAS numbers and other limited information may not be available for release.

In no event shall TI's liability arising out of such information exceed the total purchase price of the TI part(s) at issue in this document sold by TI to Customer on an annual basis.

**OTHER QUALIFIED VERSIONS OF SN74AUP1T34 :**

- Automotive: [SN74AUP1T34-Q1](#)

NOTE: Qualified Version Definitions:

- Automotive - Q100 devices qualified for high-reliability automotive applications targeting zero defects



## TAPE AND REEL INFORMATION



### QUADRANT ASSIGNMENTS FOR PIN 1 ORIENTATION IN TAPE



\*All dimensions are nominal

Device	Package Type	Package Drawing	Pins	SPQ	Reel Diameter (mm)	Reel Width W1 (mm)	A0 (mm)	B0 (mm)	K0 (mm)	P1 (mm)	W (mm)	Pin1 Quadrant
SN74AUP1T34DCKR	SC70	DCK	5	3000	178.0	9.0	2.4	2.5	1.2	4.0	8.0	Q3
SN74AUP1T34DRYR	SON	DRY	6	5000	180.0	9.5	1.15	1.6	0.75	4.0	8.0	Q1
SN74AUP1T34DSFR	SON	DSF	6	5000	180.0	9.5	1.16	1.16	0.5	4.0	8.0	Q2

**TAPE AND REEL BOX DIMENSIONS**

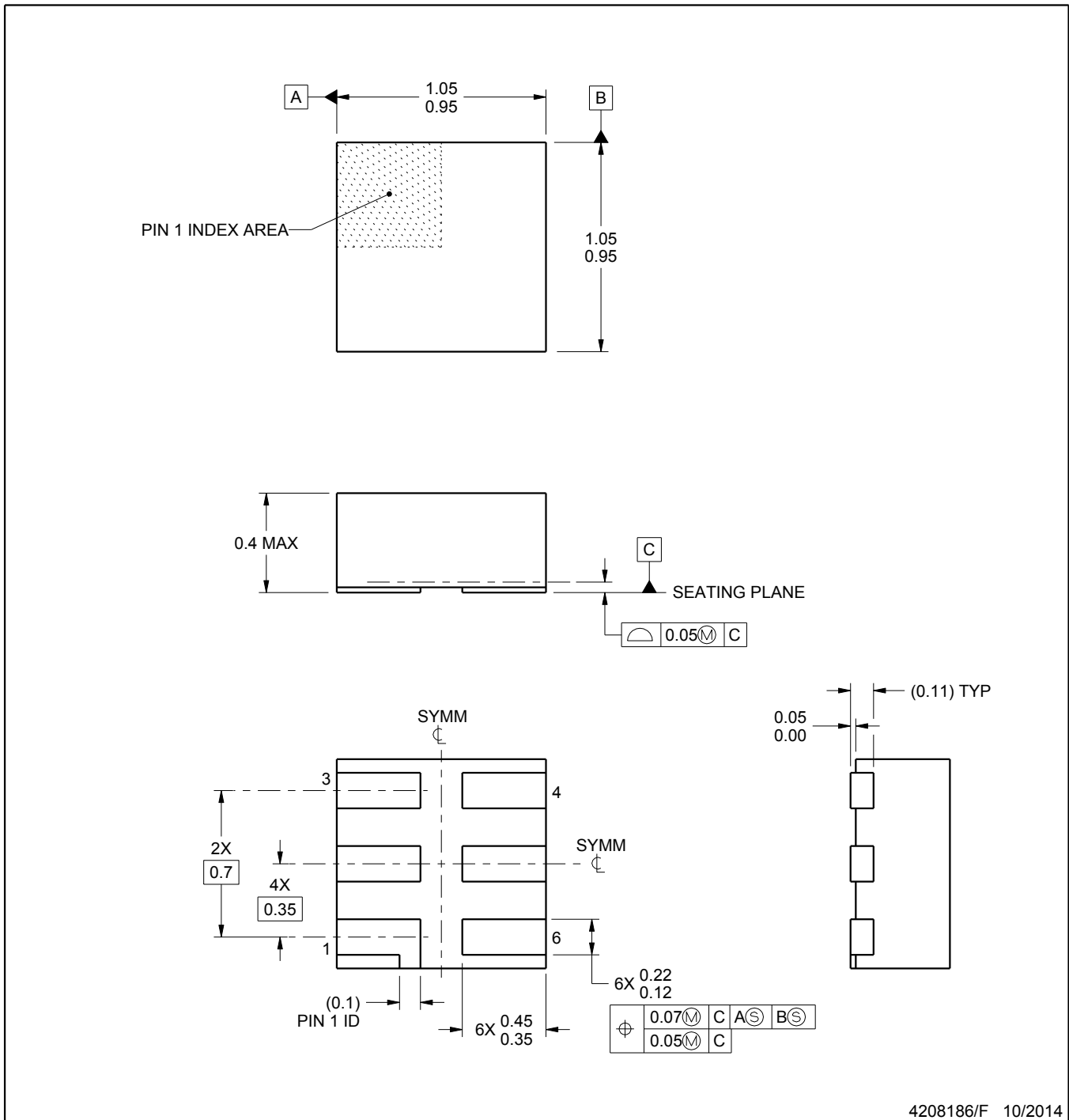

\*All dimensions are nominal

Device	Package Type	Package Drawing	Pins	SPQ	Length (mm)	Width (mm)	Height (mm)
SN74AUP1T34DCKR	SC70	DCK	5	3000	180.0	180.0	18.0
SN74AUP1T34DRYR	SON	DRY	6	5000	184.0	184.0	19.0
SN74AUP1T34DSFR	SON	DSF	6	5000	184.0	184.0	19.0

# MECHANICAL DATA

DSF (S-PX2SON-N6)

PLASTIC SMALL OUTLINE NO-LEAD



**NOTES:**

1. All linear dimensions are in millimeters. Any dimensions in parenthesis are for reference only. Dimensioning and tolerancing per ASME Y14.5M.
2. This drawing is subject to change without notice.
3. Reference JEDEC registration MO-287, variation X2AAF.

DSF (S-PX2SON-N6)

PLASTIC SMALL OUTLINE NO-LEAD



4210277/D 05/12

- NOTES:
- All linear dimensions are in millimeters.
  - This drawing is subject to change without notice.
  - Publication IPC-7351 is recommended for alternate designs.
  - Customers should contact their board fabrication site for minimum solder mask web tolerances between signal pads. If 2 mil solder mask is outside PCB vendor capability, it is advised to omit solder mask.
  - Maximum stencil thickness 0,1016 mm (4 mils). All linear dimensions are in millimeters.
  - Laser cutting apertures with trapezoidal walls and also rounding corners will offer better paste release. Customers should contact their board assembly site for stencil design recommendations. Refer to IPC 7525 for stencil design considerations.
  - Suggest stencils cut with lasers such as Fiber Laser that produce the greatest positional accuracy.
  - Component placement force should be minimized to prevent excessive paste block deformation.

DCK (R-PDSO-G5)

PLASTIC SMALL-OUTLINE PACKAGE



- NOTES:
- A. All linear dimensions are in millimeters.
  - B. This drawing is subject to change without notice.
  - C. Body dimensions do not include mold flash or protrusion. Mold flash and protrusion shall not exceed 0.15 per side.
  - D. Falls within JEDEC MO-203 variation AA.

DCK (R-PDSO-G5)

PLASTIC SMALL OUTLINE



- NOTES:
- A. All linear dimensions are in millimeters.
  - B. This drawing is subject to change without notice.
  - C. Customers should place a note on the circuit board fabrication drawing not to alter the center solder mask defined pad.
  - D. Publication IPC-7351 is recommended for alternate designs.
  - E. Laser cutting apertures with trapezoidal walls and also rounding corners will offer better paste release. Customers should contact their board assembly site for stencil design recommendations. Example stencil design based on a 50% volumetric metal load solder paste. Refer to IPC-7525 for other stencil recommendations.

## GENERIC PACKAGE VIEW

**DRY 6**

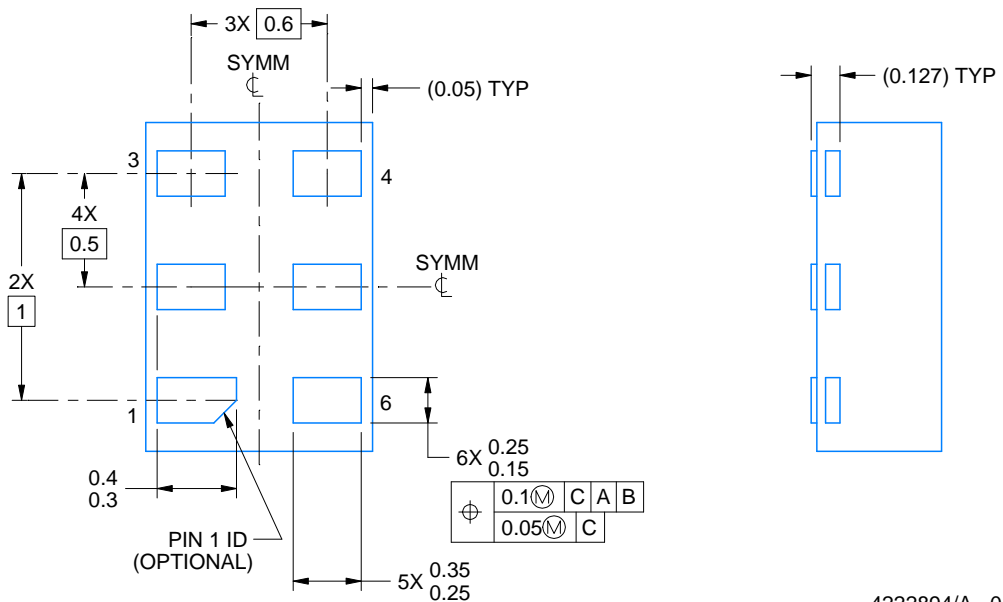
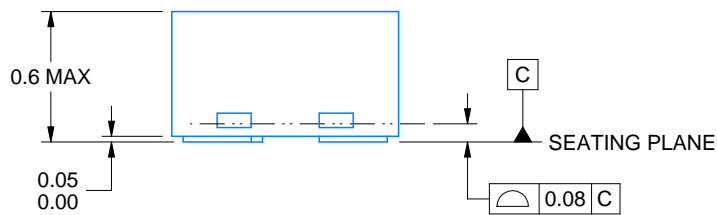
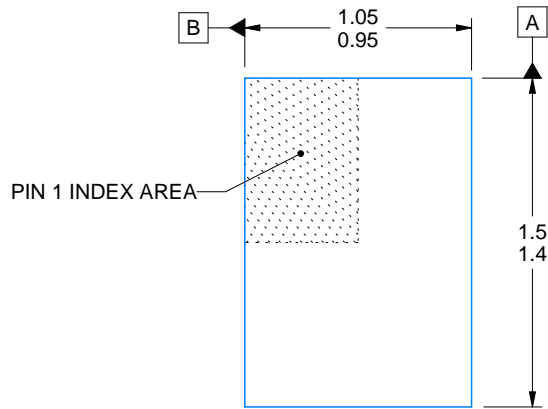
**USON - 0.6 mm max height**

PLASTIC SMALL OUTLINE - NO LEAD



Images above are just a representation of the package family, actual package may vary.  
Refer to the product data sheet for package details.

4207181/G



4222894/A 01/2018

NOTES:

1. All linear dimensions are in millimeters. Any dimensions in parenthesis are for reference only. Dimensioning and tolerancing per ASME Y14.5M.
2. This drawing is subject to change without notice.



# EXAMPLE BOARD LAYOUT

DRY0006A

USON - 0.6 mm max height

PLASTIC SMALL OUTLINE - NO LEAD



**LAND PATTERN EXAMPLE**  
1:1 RATIO WITH PKG SOLDER PADS  
EXPOSED METAL SHOWN  
SCALE:40X



**SOLDER MASK DETAILS**

4222894/A 01/2018

NOTES: (continued)

3. For more information, see QFN/SON PCB application report in literature No. SLUA271 ([www.ti.com/lit/sluea271](http://www.ti.com/lit/sluea271)).

# EXAMPLE STENCIL DESIGN

DRY0006A

USON - 0.6 mm max height

PLASTIC SMALL OUTLINE - NO LEAD



SOLDER PASTE EXAMPLE  
BASED ON 0.075 - 0.1 mm THICK STENCIL  
SCALE:40X

4222894/A 01/2018

NOTES: (continued)

4. Laser cutting apertures with trapezoidal walls and rounded corners may offer better paste release. IPC-7525 may have alternate design recommendations.

## IMPORTANT NOTICE

Texas Instruments Incorporated (TI) reserves the right to make corrections, enhancements, improvements and other changes to its semiconductor products and services per JESD46, latest issue, and to discontinue any product or service per JESD48, latest issue. Buyers should obtain the latest relevant information before placing orders and should verify that such information is current and complete.

TI's published terms of sale for semiconductor products (<http://www.ti.com/sc/docs/stdterms.htm>) apply to the sale of packaged integrated circuit products that TI has qualified and released to market. Additional terms may apply to the use or sale of other types of TI products and services.

Reproduction of significant portions of TI information in TI data sheets is permissible only if reproduction is without alteration and is accompanied by all associated warranties, conditions, limitations, and notices. TI is not responsible or liable for such reproduced documentation. Information of third parties may be subject to additional restrictions. Resale of TI products or services with statements different from or beyond the parameters stated by TI for that product or service voids all express and any implied warranties for the associated TI product or service and is an unfair and deceptive business practice. TI is not responsible or liable for any such statements.

Buyers and others who are developing systems that incorporate TI products (collectively, "Designers") understand and agree that Designers remain responsible for using their independent analysis, evaluation and judgment in designing their applications and that Designers have full and exclusive responsibility to assure the safety of Designers' applications and compliance of their applications (and of all TI products used in or for Designers' applications) with all applicable regulations, laws and other applicable requirements. Designer represents that, with respect to their applications, Designer has all the necessary expertise to create and implement safeguards that (1) anticipate dangerous consequences of failures, (2) monitor failures and their consequences, and (3) lessen the likelihood of failures that might cause harm and take appropriate actions. Designer agrees that prior to using or distributing any applications that include TI products, Designer will thoroughly test such applications and the functionality of such TI products as used in such applications.

TI's provision of technical, application or other design advice, quality characterization, reliability data or other services or information, including, but not limited to, reference designs and materials relating to evaluation modules, (collectively, "TI Resources") are intended to assist designers who are developing applications that incorporate TI products; by downloading, accessing or using TI Resources in any way, Designer (individually or, if Designer is acting on behalf of a company, Designer's company) agrees to use any particular TI Resource solely for this purpose and subject to the terms of this Notice.

TI's provision of TI Resources does not expand or otherwise alter TI's applicable published warranties or warranty disclaimers for TI products, and no additional obligations or liabilities arise from TI providing such TI Resources. TI reserves the right to make corrections, enhancements, improvements and other changes to its TI Resources. TI has not conducted any testing other than that specifically described in the published documentation for a particular TI Resource.

Designer is authorized to use, copy and modify any individual TI Resource only in connection with the development of applications that include the TI product(s) identified in such TI Resource. NO OTHER LICENSE, EXPRESS OR IMPLIED, BY ESTOPPEL OR OTHERWISE TO ANY OTHER TI INTELLECTUAL PROPERTY RIGHT, AND NO LICENSE TO ANY TECHNOLOGY OR INTELLECTUAL PROPERTY RIGHT OF TI OR ANY THIRD PARTY IS GRANTED HEREIN, including but not limited to any patent right, copyright, mask work right, or other intellectual property right relating to any combination, machine, or process in which TI products or services are used. Information regarding or referencing third-party products or services does not constitute a license to use such products or services, or a warranty or endorsement thereof. Use of TI Resources may require a license from a third party under the patents or other intellectual property of the third party, or a license from TI under the patents or other intellectual property of TI.

TI RESOURCES ARE PROVIDED "AS IS" AND WITH ALL FAULTS. TI DISCLAIMS ALL OTHER WARRANTIES OR REPRESENTATIONS, EXPRESS OR IMPLIED, REGARDING RESOURCES OR USE THEREOF, INCLUDING BUT NOT LIMITED TO ACCURACY OR COMPLETENESS, TITLE, ANY EPIDEMIC FAILURE WARRANTY AND ANY IMPLIED WARRANTIES OF MERCHANTABILITY, FITNESS FOR A PARTICULAR PURPOSE, AND NON-INFRINGEMENT OF ANY THIRD PARTY INTELLECTUAL PROPERTY RIGHTS. TI SHALL NOT BE LIABLE FOR AND SHALL NOT DEFEND OR INDEMNIFY DESIGNER AGAINST ANY CLAIM, INCLUDING BUT NOT LIMITED TO ANY INFRINGEMENT CLAIM THAT RELATES TO OR IS BASED ON ANY COMBINATION OF PRODUCTS EVEN IF DESCRIBED IN TI RESOURCES OR OTHERWISE. IN NO EVENT SHALL TI BE LIABLE FOR ANY ACTUAL, DIRECT, SPECIAL, COLLATERAL, INDIRECT, PUNITIVE, INCIDENTAL, CONSEQUENTIAL OR EXEMPLARY DAMAGES IN CONNECTION WITH OR ARISING OUT OF TI RESOURCES OR USE THEREOF, AND REGARDLESS OF WHETHER TI HAS BEEN ADVISED OF THE POSSIBILITY OF SUCH DAMAGES.

Unless TI has explicitly designated an individual product as meeting the requirements of a particular industry standard (e.g., ISO/TS 16949 and ISO 26262), TI is not responsible for any failure to meet such industry standard requirements.

Where TI specifically promotes products as facilitating functional safety or as compliant with industry functional safety standards, such products are intended to help enable customers to design and create their own applications that meet applicable functional safety standards and requirements. Using products in an application does not by itself establish any safety features in the application. Designers must ensure compliance with safety-related requirements and standards applicable to their applications. Designer may not use any TI products in life-critical medical equipment unless authorized officers of the parties have executed a special contract specifically governing such use. Life-critical medical equipment is medical equipment where failure of such equipment would cause serious bodily injury or death (e.g., life support, pacemakers, defibrillators, heart pumps, neurostimulators, and implantables). Such equipment includes, without limitation, all medical devices identified by the U.S. Food and Drug Administration as Class III devices and equivalent classifications outside the U.S.

TI may expressly designate certain products as completing a particular qualification (e.g., Q100, Military Grade, or Enhanced Product). Designers agree that it has the necessary expertise to select the product with the appropriate qualification designation for their applications and that proper product selection is at Designers' own risk. Designers are solely responsible for compliance with all legal and regulatory requirements in connection with such selection.

Designer will fully indemnify TI and its representatives against any damages, costs, losses, and/or liabilities arising out of Designer's non-compliance with the terms and provisions of this Notice.