

TCA9544A Low Voltage 4-Channel I²C and SMBus Multiplexer With Interrupt Logic

1 Features

- 1-of-4 Bidirectional Translating Switches
- I²C Bus and SMBus Compatible
- Four Active-Low Interrupt Inputs
- Active-Low Interrupt Output
- Three Address Pins, Allowing up to Eight TCA9544A Devices on the I²C Bus
- Channel Selection Via I²C Bus
- Power-Up With All Switch Channels Deselected
- Low R_{ON} Switches
- Allows Voltage-Level Translation Between 1.8-V, 2.5-V, 3.3-V, and 5-V Buses
- No Glitch on Power-Up
- Supports Hot Insertion
- Low Standby Current
- Operating Power Supply Voltage Range of 1.65 V to 5.5 V
- 5.5-V Tolerant Inputs
- 0 to 400-kHz Clock Frequency
- Latch-Up Performance Exceeds 100 mA Per JESD 78
- ESD Protection Exceeds JESD 22
 - 4000-V Human-Body Model (A114-A)
 - 1500-V Charged-Device Model (C101)

2 Applications

- Servers
- Routers (Telecom Switching Equipment)
- Factory Automation
- Products With I²C Slave Address Conflicts (For Example, Multiple, Identical Temp Sensors)

3 Description

The TCA9544A is a quad bidirectional translating switch controlled via the I²C bus. The SCL/SDA upstream pair fans out to four downstream pairs, or channels. Any individual SC_n/SD_n channel or combination of channels can be selected, determined by the contents of the programmable control register. Four interrupt inputs (INT₃–INT₀), one for each of the downstream pairs, are provided. One interrupt output (INT) acts as an AND of the four interrupt inputs.

A power-on reset function returns the registers to their default state and initializes the I²C state machine, with all channels deselected.

The pass gates of the switches are constructed such that the VCC pin can be used to limit the maximum high voltage which will be passed by the TCA9544A. This allows the use of different bus voltages on each pair, so that 1.8-V, 2.5-V, or 3.3-V parts can communicate with 5-V parts without any additional protection. External pull-up resistors pull the bus up to the desired voltage level for each channel. All I/O pins are 5.5 V tolerant.

Device Information⁽¹⁾

| PART NUMBER | PACKAGE | BODY SIZE (NOM) |
|-------------|------------|-------------------|
| TCA9544A | TSSOP (20) | 6.50 mm x 4.40 mm |

(1) For all available packages, see the orderable addendum at the end of the data sheet.

4 Simplified Schematic

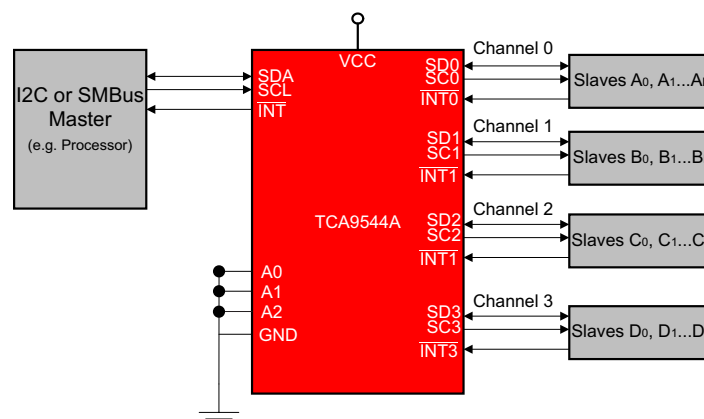


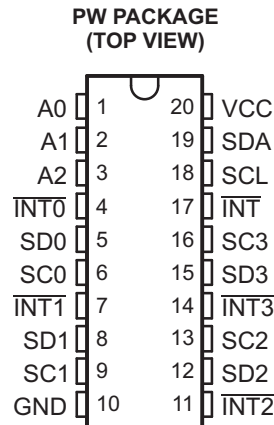
Table of Contents

| | | | |
|--|-----------|--|-----------|
| 1 Features | 1 | 9.2 Functional Block Diagram | 10 |
| 2 Applications | 1 | 9.3 Feature Description | 11 |
| 3 Description | 1 | 9.4 Device Functional Modes | 11 |
| 4 Simplified Schematic | 1 | 9.5 Programming | 11 |
| 5 Revision History | 2 | 9.6 Control Register | 13 |
| 6 Pin Configuration and Functions | 3 | 10 Application and Implementation | 16 |
| 7 Specifications | 4 | 10.1 Application Information | 16 |
| 7.1 Absolute Maximum Ratings | 4 | 10.2 Typical Application | 16 |
| 7.2 Handling Ratings | 4 | 11 Power Supply Recommendations | 19 |
| 7.3 Recommended Operating Conditions | 4 | 11.1 Power-On Reset Requirements | 19 |
| 7.4 Thermal Information | 4 | 12 Layout | 21 |
| 7.5 Electrical Characteristics | 5 | 12.1 Layout Guidelines | 21 |
| 7.6 I ² C Interface Timing Requirements | 6 | 12.2 Layout Example | 21 |
| 7.7 Switching Characteristics | 6 | 13 Device and Documentation Support | 22 |
| 7.8 Interrupt Timing Requirements | 7 | 13.1 Trademarks | 22 |
| 7.9 Typical Characteristics | 7 | 13.2 Electrostatic Discharge Caution | 22 |
| 8 Parameter Measurement Information | 8 | 13.3 Glossary | 22 |
| 9 Detailed Description | 10 | 14 Mechanical, Packaging, and Orderable Information | 22 |
| 9.1 Overview | 10 | | |

5 Revision History

| Changes from Original (May 2014) to Revision A | Page |
|--|----------|
| • Updated document from PREVIEW to PRODUCTION DATA. | 1 |

6 Pin Configuration and Functions



Pin Functions

| PIN | | FUNCTION |
|--------------------------|--------|---|
| NAME | NUMBER | |
| A0 | 1 | Address input 0. Connect directly to V_{CC} or ground. |
| A1 | 2 | Address input 1. Connect directly to V_{CC} or ground. |
| A2 | 3 | Address input 2. Connect directly to V_{CC} or ground. |
| $\overline{\text{INT0}}$ | 4 | Active-low interrupt input 0. Connect to $V_{DPU0}^{(1)}$ through a pull-up resistor. |
| SD0 | 5 | Serial data 0. Connect to $V_{DPU0}^{(1)}$ through a pull-up resistor. |
| SC0 | 6 | Serial clock 0. Connect to $V_{DPU0}^{(1)}$ through a pull-up resistor. |
| $\overline{\text{INT1}}$ | 7 | Active-low interrupt input 1. Connect to $V_{DPU1}^{(1)}$ through a pull-up resistor. |
| SD1 | 8 | Serial data 1. Connect to $V_{DPU1}^{(1)}$ through a pull-up resistor. |
| SC1 | 9 | Serial clock 1. Connect to $V_{DPU1}^{(1)}$ through a pull-up resistor. |
| GND | 10 | Ground |
| $\overline{\text{INT2}}$ | 11 | Active-low interrupt input 2. Connect to $V_{DPU2}^{(1)}$ through a pull-up resistor. |
| SD2 | 12 | Serial data 2. Connect to $V_{DPU2}^{(1)}$ through a pull-up resistor. |
| SC2 | 13 | Serial clock 2. Connect to $V_{DPU2}^{(1)}$ through a pull-up resistor. |
| $\overline{\text{INT3}}$ | 14 | Active-low interrupt input 3. Connect to $V_{DPU3}^{(1)}$ through a pull-up resistor. |
| SD3 | 15 | Serial data 3. Connect to $V_{DPU3}^{(1)}$ through a pull-up resistor. |
| SC3 | 16 | Serial clock 3. Connect to $V_{DPU3}^{(1)}$ through a pull-up resistor. |
| $\overline{\text{INT}}$ | 17 | Active-low interrupt output. Connect to $V_{DPU0}^{(1)}$ through a pull-up resistor. |
| SCL | 18 | Serial clock line. Connect to $V_{DPU0}^{(1)}$ through a pull-up resistor. |
| SDA | 19 | Serial data line. Connect to $V_{DPU0}^{(1)}$ through a pull-up resistor. |
| VCC | 20 | Supply power |

(1) V_{DPUX} is the pull-up reference voltage for the associated data line. V_{DPU0} — V_{DPU3} are the slave channel reference voltages. V_{DPU0} — V_{DPU3} are the slave channel reference voltages.

7 Specifications

7.1 Absolute Maximum Ratings⁽¹⁾

over operating free-air temperature (unless otherwise noted)

| | | MIN | MAX | UNIT |
|------------------|--|------|------|------|
| V _{CC} | Supply voltage | -0.5 | 7 | V |
| V _I | Input voltage ⁽²⁾ | -0.5 | 7 | V |
| I _I | Input current | | ±20 | mA |
| I _O | Output current | | ±25 | mA |
| | Continuous current through V _{CC} | | ±100 | mA |
| | Continuous current through GND | | ±100 | mA |
| P _{tot} | Total power dissipation | | 400 | mW |
| T _A | Operating free-air temperature range | -40 | 85 | °C |

- (1) Stresses beyond those listed under "absolute maximum ratings" may cause permanent damage to the device. These are stress ratings only, and functional operation of the device at these or any other conditions beyond those indicated under "recommended operating conditions" is not implied. Exposure to absolute-maximum-rated conditions for extended periods may affect device reliability.
- (2) The input negative-voltage and output voltage ratings may be exceeded if the input and output current ratings are observed.

7.2 Handling Ratings

| | | MIN | MAX | UNIT | |
|--------------------|---------------------------|--|-------|------|---|
| T _{stg} | Storage temperature range | -65 | 150 | °C | |
| V _(ESD) | Electrostatic discharge | Human body model (HBM), per ANSI/ESDA/JEDEC JS-001, all pins ⁽¹⁾ | -4000 | 4000 | V |
| | | Charged device model (CDM), per JEDEC specification JESD22-C101, all pins ⁽²⁾ | -1500 | 1500 | V |

- (1) JEDEC document JEP155 states that 500-V HBM allows safe manufacturing with a standard ESD control process.
- (2) JEDEC document JEP157 states that 250-V CDM allows safe manufacturing with a standard ESD control process.

7.3 Recommended Operating Conditions⁽¹⁾

| | | MIN | MAX | UNIT |
|-----------------|--------------------------------|------------------|-----------------------|-----------------------|
| V _{CC} | Supply voltage | 1.65 | 5.5 | V |
| V _{IH} | High-level input voltage | SCL, SDA | 0.7 × V _{CC} | 6 |
| | | A2–A0, INT3–INT0 | 0.7 × V _{CC} | V _{CC} + 0.5 |
| V _{IL} | Low-level input voltage | SCL, SDA | -0.5 | 0.3 × V _{CC} |
| | | A2–A0, INT3–INT0 | -0.5 | 0.3 × V _{CC} |
| T _A | Operating free-air temperature | -40 | 85 | °C |

- (1) All unused inputs of the device must be held at V_{CC} or GND to ensure proper device operation. Refer to the TI application report, *Implications of Slow or Floating CMOS Inputs*, literature number SCBA004.

7.4 Thermal Information⁽¹⁾

over operating free-air temperature range (unless otherwise noted)

| THERMAL METRIC ⁽¹⁾ | TCA9544A | UNIT | |
|-------------------------------|--|-------|------|
| | PW | | |
| | 20 PIN | | |
| R _{θJA} | Junction-to-ambient thermal resistance | 118.2 | °C/W |
| R _{θJctop} | Junction-to-case (top) thermal resistance | 51.4 | |
| R _{θJB} | Junction-to-board thermal resistance | 69.3 | |
| ψ _{JT} | Junction-to-top characterization parameter | 7.7 | |
| ψ _{JB} | Junction-to-board characterization parameter | 68.8 | |

- (1) For more information about traditional and new thermal metrics, see the *IC Package Thermal Metrics* application report, [SPRA953](#).

7.5 Electrical Characteristics⁽¹⁾

over recommended operating free-air temperature range (unless otherwise noted)

| PARAMETER | | TEST CONDITIONS | | V _{CC} | MIN | TYP ⁽²⁾ | MAX | UNIT | |
|-------------------|--|---|---|--------------------|--------|--------------------|------|------|--|
| V _{PORR} | Power-on reset voltage, V _{CC} rising | No load: | V _I = V _{CC} or GND | | | 1.2 | 1.5 | V | |
| V _{PORF} | Power-on reset voltage, V _{CC} falling ⁽³⁾ | No load: | V _I = V _{CC} or GND | | 0.8 | 1 | | V | |
| V _{pass} | Switch output voltage | V _{SWin} = V _{CC} | I _{SWout} = -100 μA | 5 V | | 3.6 | | V | |
| | | | | 4.5 to 5.5 V | | 2.6 | 4.5 | | |
| | | | | 3.3 V | | 1.9 | | | |
| | | | | 3 to 3.6 V | 1.6 | | 2.8 | | |
| | | | | 2.5 V | | 1.4 | | | |
| | | | | 2.3 to 2.7 V | 1.0 | | 1.8 | | |
| | | | | 1.8 V | | 0.8 | | | |
| | | | | 1.65 to 1.95 V | 0.5 | | 1.1 | | |
| I _{OH} | $\overline{\text{INT}}$ | V _O = V _{CC} | | 1.65 to 5.5 V | | | 10 | μA | |
| I _{OL} | SDA | V _{OL} = 0.4 V | | 1.65 to 5.5 V | 3 | 7 | | mA | |
| | | V _{OL} = 0.6 V | | | 6 | 10 | | | |
| | $\overline{\text{INT}}$ | V _{OL} = 0.4 V | | | 3 | | | | |
| I _I | SCL, SDA | V _I = V _{CC} or GND | | 1.65 to 5.5 V | | | ±1 | μA | |
| | SC3–SC0, SD3–SD0 | | | | | | ±1 | | |
| | A2–A0 | | | | | | ±1 | | |
| | $\overline{\text{INT3}}\text{--}\overline{\text{INT0}}$ | | | | | | ±1 | | |
| I _{CC} | Operating mode | f _{SCL} = 400 kHz | V _I = V _{CC} or GND I _O = 0 t _{r,max} = 300 ns | 5.5 V | | 50 | | μA | |
| | | | | 3.6 V | | 20 | | | |
| | | | | 2.7 V | | 11 | | | |
| | | | | 1.65 V | | 6 | | | |
| | | f _{SCL} = 100 kHz | V _I = V _{CC} or GND I _O = 0 t _{r,max} = 1 μs | 5.5 V | | 35 | | | |
| | | | | 3.6 V | | 14 | | | |
| | | | | 2.7 V | | 5 | | | |
| | | | | 1.65 V | | 2 | | | |
| | Standby mode | Low inputs | V _I = GND | I _O = 0 | 5.5 V | 1.6 | 2 | | |
| | | | | | 3.6 V | 1.0 | 1.3 | | |
| | | | | | 2.7 V | 0.7 | 1.1 | | |
| | | High inputs | V _I = V _{CC} | I _O = 0 | 1.65 V | 0.4 | 0.55 | | |
| | | | | | 5.5 V | 1.6 | 2 | | |
| | | | | | 3.6 V | 1.0 | 1.3 | | |
| | | | | 2.7 V | 0.7 | 1.1 | | | |
| | | | | 1.65 V | 0.4 | 0.55 | | | |
| ΔI _{CC} | Supply-current change | $\overline{\text{INT3}}\text{--}\overline{\text{INT0}}$ | One $\overline{\text{INT3}}\text{--}\overline{\text{INT0}}$ input at 0.6 V, Other inputs at V _{CC} or GND | 1.65 to 5.5 V | | 3 | 20 | μA | |
| | | | One $\overline{\text{INT3}}\text{--}\overline{\text{INT0}}$ input at V _{CC} – 0.6 V, Other inputs at V _{CC} or GND | | | 3 | 20 | | |
| | | SCL, SDA | SCL or SDA input at 0.6 V, Other inputs at V _{CC} or GND | | | 2 | 15 | | |
| | | | SCL or SDA inputs at V _{CC} – 0.6 V, Other inputs at V _{CC} or GND | | | 2 | 15 | | |
| C _i | A2–A0 | V _I = V _{CC} or GND | | 1.65 to 5.5 V | | 4.5 | 6 | pF | |
| | $\overline{\text{INT3}}\text{--}\overline{\text{INT0}}$ | | | | | 4.5 | 6 | | |

(1) For operation between specified voltage ranges, refer to the worst-case parameter in both applicable ranges.

(2) All typical values are at nominal supply voltage (1.8-V, 2.5-V, 3.3-V, or 5-V V_{CC}), T_A = 25°C.

(3) The power-on reset circuit resets the I²C bus logic when V_{CC} < V_{PORF}.

Electrical Characteristics⁽¹⁾ (continued)

over recommended operating free-air temperature range (unless otherwise noted)

| PARAMETER | | TEST CONDITIONS | | V _{CC} | MIN | TYP ⁽²⁾ | MAX | UNIT |
|-------------------------------------|----------------------|---|------------------------|-----------------|-----|--------------------|-----|------|
| C _{io(OFF)} ⁽⁴⁾ | SCL, SDA | V _I = V _{CC} or GND | Switch OFF | 1.65 to 5.5 V | 15 | 19 | | pF |
| | SC3–SC0, SD3–SD0 | | | | 6 | 8 | | |
| R _{ON} | Switch-on resistance | V _O = 0.4 V | I _O = 15 mA | 4.5 to 5.5 V | 10 | 16 | | Ω |
| | | | | 3 to 3.6 V | 13 | 20 | | |
| | | V _O = 0.4 V | I _O = 10 mA | 2.3 to 2.7 V | 16 | 45 | | |
| | | | | 1.65 to 1.95 V | 25 | 70 | | |

 (4) C_{io(ON)} depends on device capacitance and load that is downstream from the device.

7.6 I²C Interface Timing Requirements

over recommended operating free-air temperature range (unless otherwise noted)

| | | STANDARD-MODE I ² C BUS | | FAST-MODE I ² C BUS | | UNIT |
|------------------------|--|---|------|---------------------------------------|-----|------|
| | | MIN | MAX | MIN | MAX | |
| f _{scl} | I ² C clock frequency | 0 | 100 | 0 | 400 | kHz |
| t _{sch} | I ² C clock high time | 4 | | 0.6 | | μs |
| t _{scl} | I ² C clock low time | 4.7 | | 1.3 | | μs |
| t _{sp} | I ² C spike time | | 50 | | 50 | ns |
| t _{sds} | I ² C serial-data setup time | 250 | | 100 | | ns |
| t _{sdh} | I ² C serial-data hold time | 0 ⁽¹⁾ | | 0 ⁽¹⁾ | | μs |
| t _{icr} | I ² C input rise time | | 1000 | 20 + 0.1C _b ⁽²⁾ | 300 | ns |
| t _{icf} | I ² C input fall time | | 300 | 20 + 0.1C _b ⁽²⁾ | 300 | ns |
| t _{ocf} | I ² C output fall time (10-pF to 400-pF bus) | | 300 | 20 + 0.1C _b ⁽²⁾ | 300 | ns |
| t _{buf} | I ² C bus free time between stop and start | 4.7 | | 1.3 | | μs |
| t _{sts} | I ² C start or repeated start condition setup | 4.7 | | 0.6 | | μs |
| t _{sth} | I ² C start or repeated start condition hold | 4 | | 0.6 | | μs |
| t _{sps} | I ² C stop condition setup | 4 | | 0.6 | | μs |
| t _{vdL(Data)} | Valid-data time (high to low) ⁽³⁾ | SCL low to SDA output low valid | 1 | | 1 | μs |
| t _{vdH(Data)} | Valid-data time (low to high) ⁽³⁾ | SCL low to SDA output high valid | 0.6 | | 0.6 | μs |
| t _{vd(ack)} | Valid-data time of ACK condition | ACK signal from SCL low to SDA output low | 1 | | 1 | μs |
| C _b | I ² C bus capacitive load | | 400 | | 400 | pF |

 (1) A device internally must provide a hold time of at least 300 ns for the SDA signal (referred to as the V_{IH} min of the SCL signal), in order to bridge the undefined region of the falling edge of SCL.

 (2) C_b = total bus capacitance of one bus line in pF

 (3) Data taken using a 1-kΩ pullup resistor and 50-pF load (see [Figure 5](#)).

7.7 Switching Characteristics

 over recommended operating free-air temperature range, C_L ≤ 100 pF (unless otherwise noted) (see [Figure 5](#))

| PARAMETER | | FROM (INPUT) | TO (OUTPUT) | MIN | MAX | UNIT |
|--------------------------------|---|--|-------------------------|------------|-----|------|
| t _{pd} ⁽¹⁾ | Propagation delay time | R _{ON} = 20 Ω, C _L = 15 pF | SDA or SCL | SDn or SCn | 0.3 | ns |
| | | R _{ON} = 20 Ω, C _L = 50 pF | | | 1 | |
| t _{iv} | Interrupt valid time ⁽²⁾ | $\overline{\text{INTn}}$ | $\overline{\text{INT}}$ | | 4 | μs |
| t _{ir} | Interrupt reset delay time ⁽²⁾ | $\overline{\text{INTn}}$ | $\overline{\text{INT}}$ | | 2 | μs |

(1) The propagation delay is the calculated RC time constant of the typical ON-state resistance of the switch and the specified load capacitance, when driven by an ideal voltage source (zero output impedance).

 (2) Data taken using a 4.7-kΩ pullup resistor and 100-pF load (see [Figure 6](#)).

7.8 Interrupt Timing Requirements

over recommended operating free-air temperature range (unless otherwise noted)

| PARAMETER | | MIN | MAX | UNIT |
|------------|--|-----|-----|---------|
| t_{PWRL} | Low-level pulse duration rejection of \overline{INTn} inputs ⁽¹⁾ | 1 | | μs |
| t_{PWRH} | High-level pulse duration rejection of \overline{INTn} inputs ⁽¹⁾ | 0.5 | | μs |

(1) Data taken using a 4.7-k Ω pullup resistor and 100-pF load (see Figure 6).

7.9 Typical Characteristics

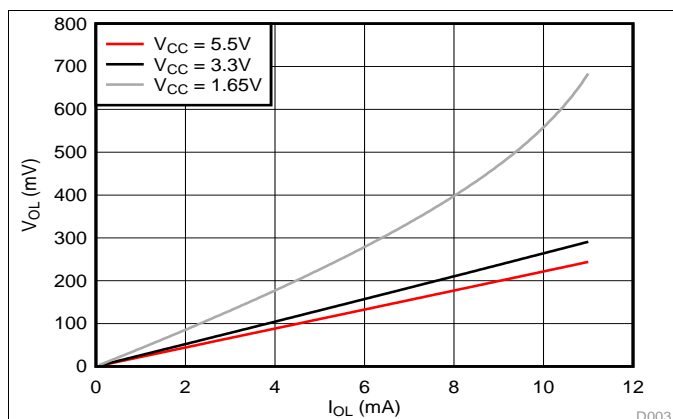


Figure 1. SDA Output Low Voltage (V_{OL}) vs Load Current (I_{OL}) at Three V_{CC} Levels

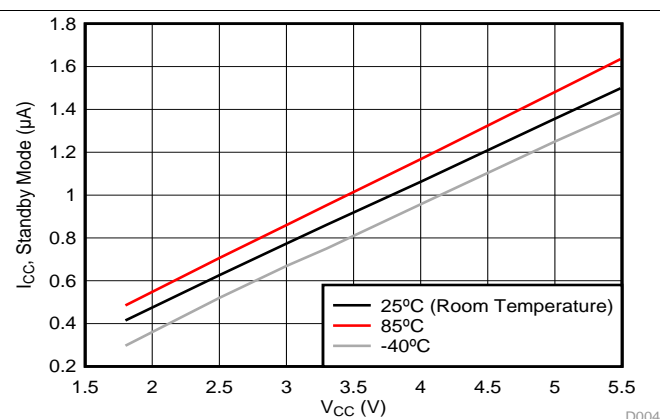


Figure 2. Standby Current (I_{CC}) vs Supply Voltage (V_{CC}) at Three Temperature Points

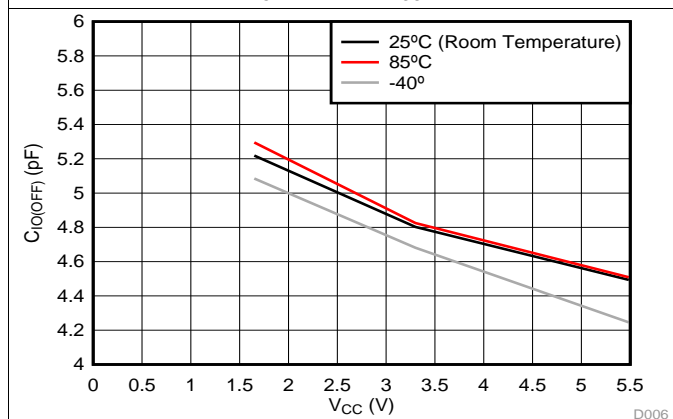


Figure 3. Slave channel (SCn/SDn) capacitance ($C_{IO(OFF)}$) vs. Supply Voltage (V_{CC}) at Three Temperature Points

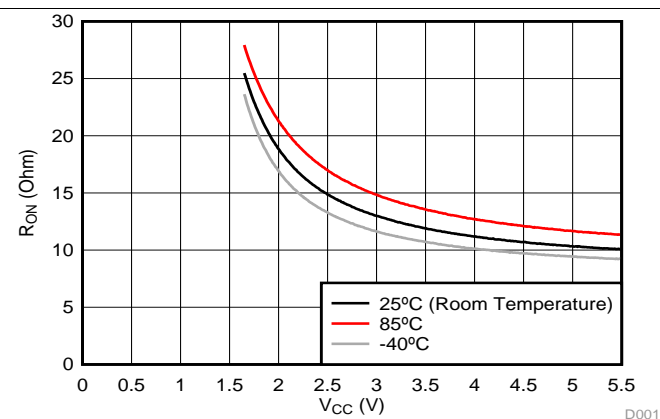
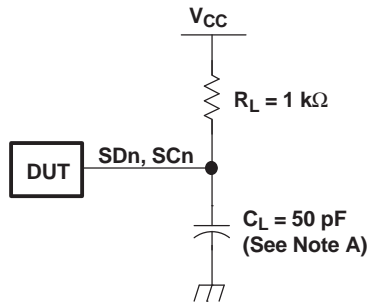
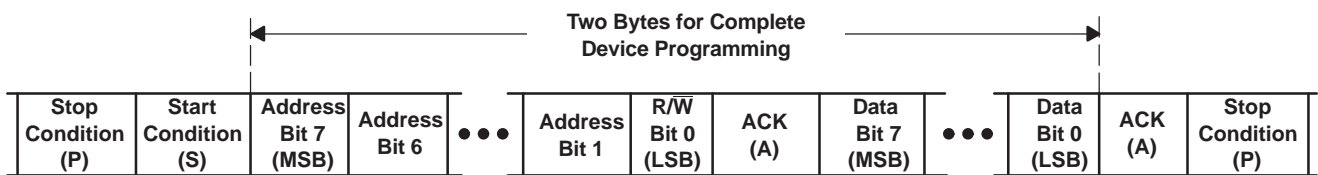


Figure 4. ON-Resistance (R_{ON}) vs Supply Voltage (V_{CC}) at Three Temperatures

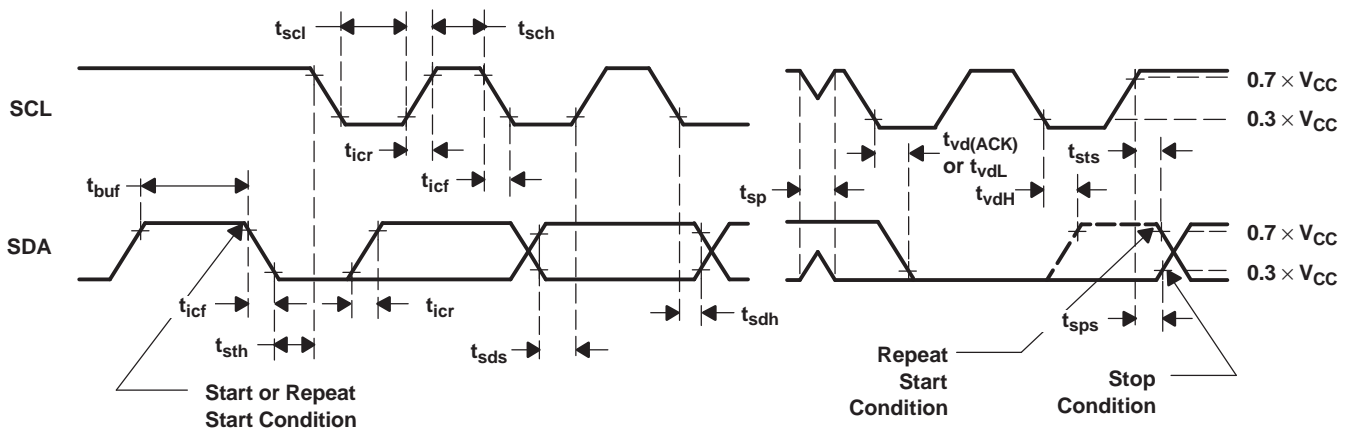
8 Parameter Measurement Information



I²C-PORT LOAD CONFIGURATION



| BYTE | DESCRIPTION |
|------|--------------------------------|
| 1 | I ² C address + R/W |
| 2 | Control register data |

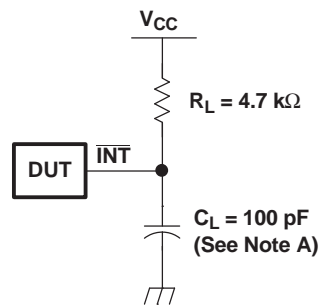


VOLTAGE WAVEFORMS

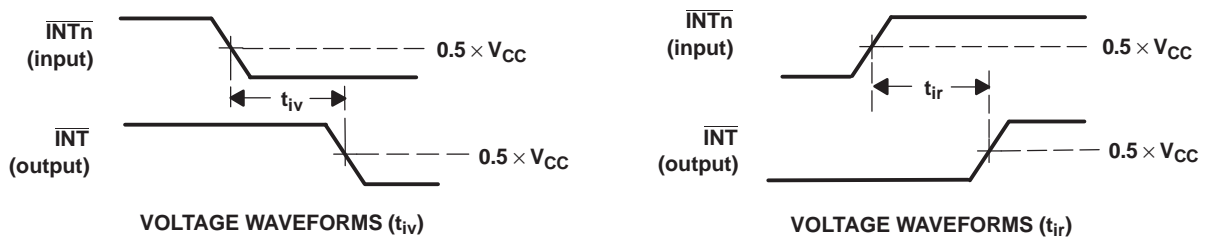
- NOTES:
- A. C_L includes probe and jig capacitance.
 - B. All input pulses are supplied by generators having the following characteristics: PRR \leq 10 MHz, $Z_O = 50 \Omega$, $t_r/t_f \leq 30$ ns.
 - C. The outputs are measured one at a time, with one transition per measurement.

Figure 5. I²C Interface Load Circuit, Byte Descriptions, and Voltage Waveforms

Parameter Measurement Information (continued)



INTERRUPT LOAD CONFIGURATION



- NOTES: A. C_L includes probe and jig capacitance.
 B. All input pulses are supplied by generators having the following characteristics: $PRR \leq 10$ MHz, $Z_O = 50 \Omega$, $t_r/t_f \leq 30$ ns.

Figure 6. Interrupt Load Circuit and Voltage Waveforms

9 Detailed Description

9.1 Overview

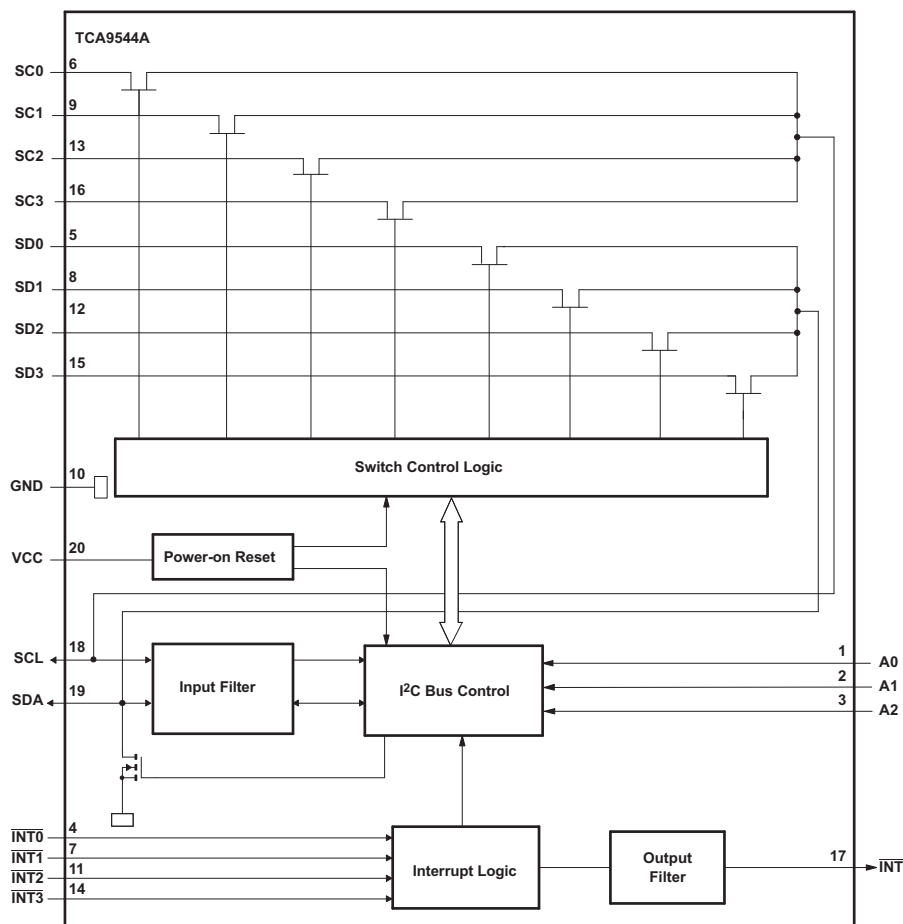
The TCA9544A is a 4-channel, bidirectional translating I²C switch. The master SCL/SDA signal pair is directed to four channels of slave devices, SC0/SD0-SC3/SD3. Any individual downstream channel can be selected as well as any combination of the four channels. The TCA9544A also supports interrupt signals in order for the master to detect an interrupt on the $\overline{\text{INT}}$ output pin that can result from any of the slave devices connected to the $\overline{\text{INT3}}$ - $\overline{\text{INT0}}$ input pins.

The device can be reset by cycling the power supply, V_{CC} , also known as a power-on reset (POR), which resets the state machine and allows the TCA9544A to recover should one of the downstream I²C buses get stuck in a low state. A POR event will cause all channels to be deselected.

The connections of the I²C data path are controlled by the same I²C master device that is switched to communicate with multiple I²C slaves. After the successful acknowledgment of the slave address (hardware selectable by A0-A2 pins), a single 8-bit control register is written to or read from to determine the selected channels and state of the interrupts.

The TCA9544A may also be used for voltage translation, allowing the use of different bus voltages on each SCn/SDn pair such that 1.8-V, 2.5-V, or 3.3-V parts can communicate with 5-V parts. This is achieved by using external pull-up resistors to pull the bus up to the desired voltage for the master and each slave channel.

9.2 Functional Block Diagram



9.3 Feature Description

The TCA9544A is a 4-channel, bidirectional translating switch for I²C buses that supports Standard-Mode (100 kHz) and Fast-Mode (400 kHz) operation. The TCA9544A features I²C control using a single 8-bit control register in which the three least significant bits control the enabling and disabling of the 4 switch channels of I²C data flow. The TCA9544A also supports interrupt signals for each slave channel and this data is held in the four most significant bits of the control register. Depending on the application, voltage translation of the I²C bus can also be achieved using the TCA9544A to allow 1.8-V, 2.5-V, or 3.3-V parts to communicate with 5-V parts. Additionally, in the event that communication on the I²C bus enters a fault state, the TCA9544A can be reset to resume normal operation by means of a power-on reset which results from cycling power to the device.

9.4 Device Functional Modes

9.4.1 Power-On Reset

When power is applied to V_{CC}, an internal power-on reset holds the TCA9544A in a reset condition until V_{CC} has reached V_{PORR}. At this point, the reset condition is released, and the TCA9544A registers and I²C state machine are initialized to their default states, all zeroes, causing all the channels to be deselected. Thereafter, V_{CC} must be lowered below V_{PORF} to reset the device.

9.5 Programming

9.5.1 I²C Interface

The I²C bus is for two-way two-line communication between different ICs or modules. The two lines are a serial data line (SDA) and a serial clock line (SCL). Both lines must be connected to a positive supply via a pull-up resistor when connected to the output stages of a device. Data transfer can be initiated only when the bus is not busy.

One data bit is transferred during each clock pulse. The data on the SDA line must remain stable during the high period of the clock pulse, as changes in the data line at this time are interpreted as control signals (see Figure 7).

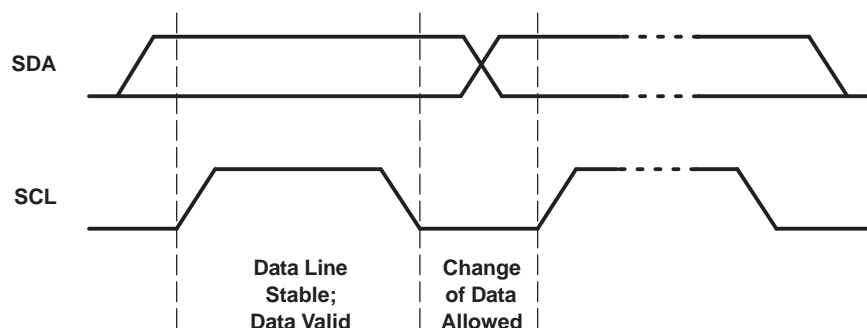


Figure 7. Bit Transfer

Both data and clock lines remain high when the bus is not busy. A high-to-low transition of the data line while the clock is high is defined as the start condition (S). A low-to-high transition of the data line while the clock is high is defined as the stop condition (P) (see Figure 8).

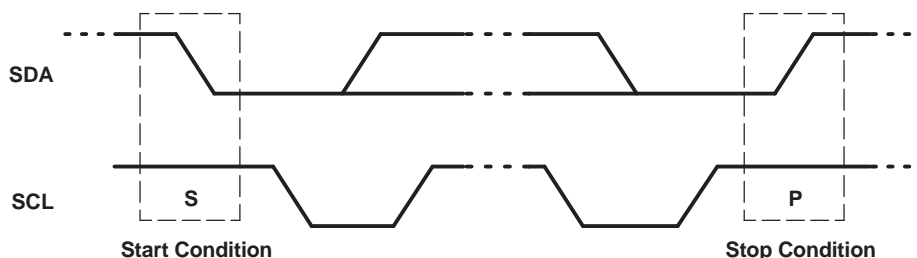


Figure 8. Definition of Start and Stop Conditions

Programming (continued)

A device generating a message is a transmitter; a device receiving a message is the receiver. The device that controls the message is the master, and the devices that are controlled by the master are the slaves (see Figure 9).

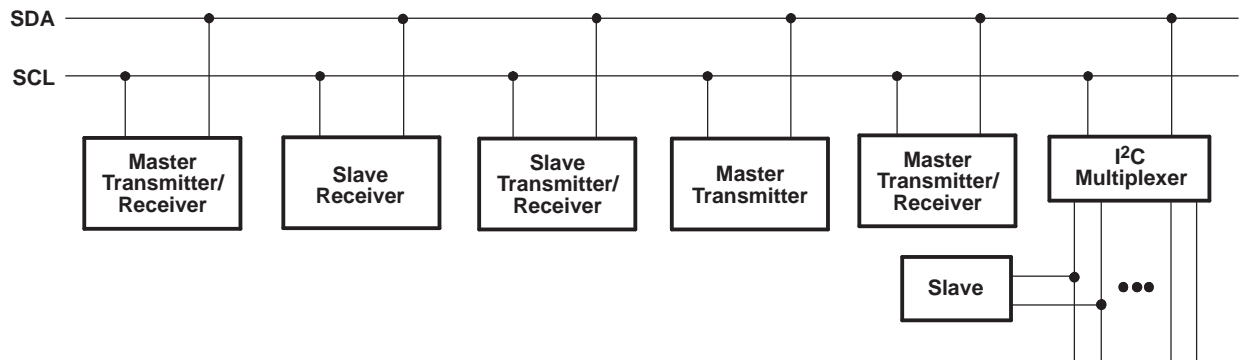


Figure 9. System Configuration

The number of data bytes transferred between the start and the stop conditions from transmitter to receiver is not limited. Each byte of eight bits is followed by one ACK bit. The transmitter must release the SDA line before the receiver can send an ACK bit.

When a slave receiver is addressed, it must generate an acknowledge (ACK) after the reception of each byte. Also, a master must generate an ACK after the reception of each byte that has been clocked out of the slave transmitter. The device that acknowledges must pull down the SDA line during the ACK clock pulse so that the SDA line is stable low during the high pulse of the ACK-related clock period (see Figure 10). Setup and hold times must be taken into account.

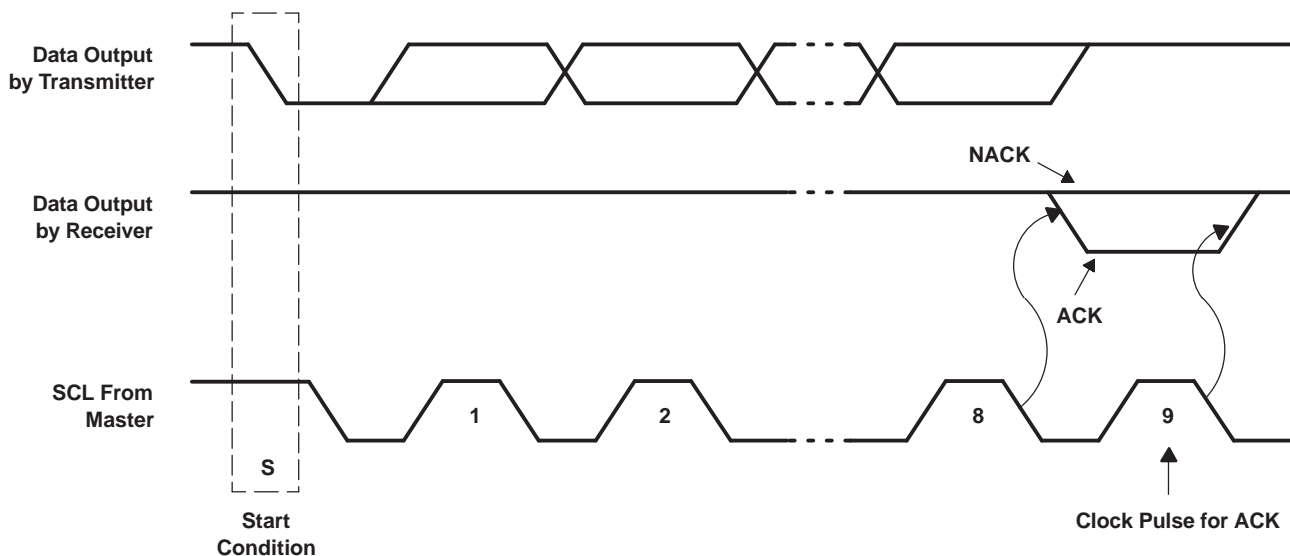


Figure 10. Acknowledgment on the I²C Bus

A master receiver must signal an end of data to the transmitter by not generating an acknowledge (NACK) after the last byte has been clocked out of the slave. This is done by the master receiver by holding the SDA line high. In this event, the transmitter must release the data line to enable the master to generate a stop condition.

Data is transmitted to the TCA9544A control register using the write mode shown in Figure 11.

Programming (continued)

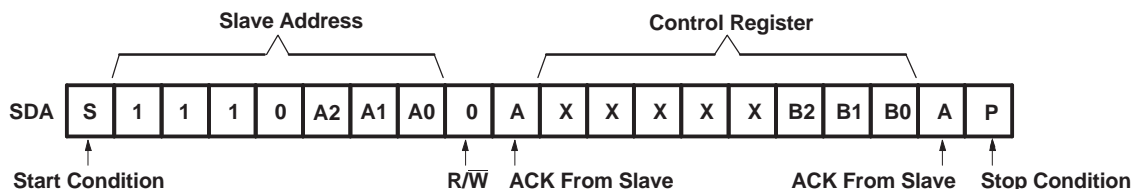


Figure 11. Write Control Register

Data is read from the TCA9544A control register using the read mode shown in Figure 12.

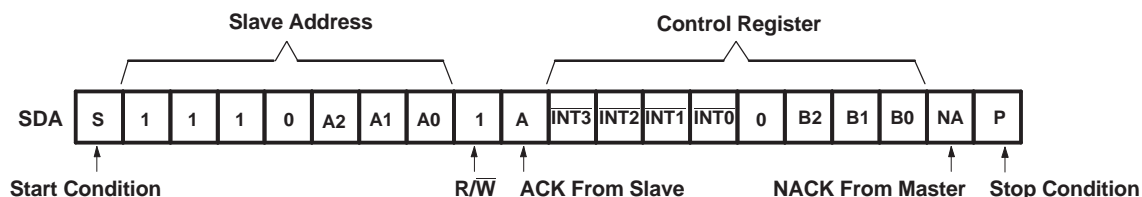


Figure 12. Read Control Register

9.6 Control Register

9.6.1 Device Address

Following a start condition, the bus master must output the address of the slave it is accessing. The address of the TCA9544A is shown in Figure 13. To conserve power, no internal pullup resistors are incorporated on the hardware-selectable address pins, and they must be pulled high or low.

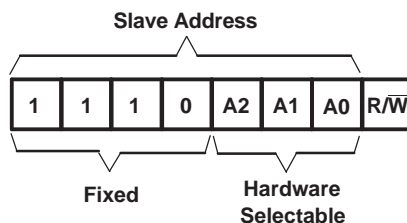


Figure 13. TCA9544A Address

The last bit of the slave address defines the operation to be performed. When set to a logic 1, a read is selected, while a logic 0 selects a write operation.

Control Register (continued)

9.6.2 Control Register Description

Following the successful acknowledgment of the slave address, the bus master sends a byte to the TCA9544A, which is stored in the control register. If multiple bytes are received by the TCA9544A, it saves the last byte received. This register can be written and read via the I²C bus.

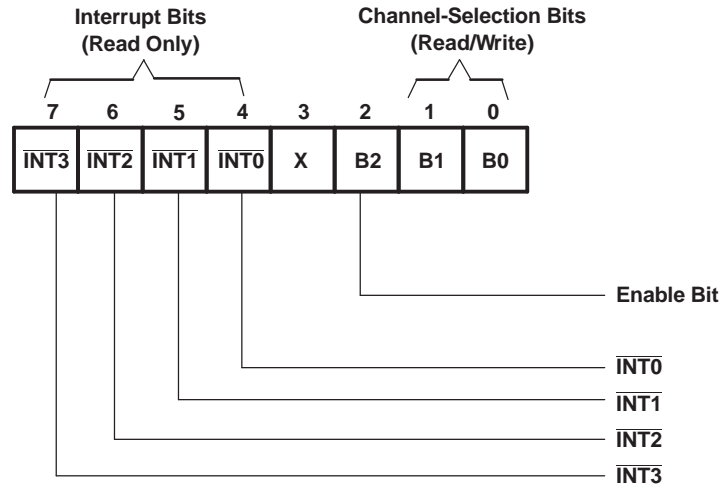


Figure 14. Control Register

9.6.3 Control Register Definition

One or several SC_n/SD_n downstream pairs, or channels, are selected by the contents of the control register (see [Table 1](#)). This register is written after the TCA9544A has been addressed. The three LSBs of the control byte are used to determine which channel (or channels) is to be selected. When a channel is selected, the channel becomes active after a stop condition has been placed on the I²C bus. This ensures that all SC_n/SD_n lines are in a high state when the channel is made active, so that no false conditions are generated at the time of connection. A stop condition always must occur right after the acknowledge cycle.

Table 1. Control Register Write (Channel Selection), Control Register Read (Channel Status)⁽¹⁾

| $\overline{\text{INT3}}$ | $\overline{\text{INT2}}$ | $\overline{\text{INT1}}$ | $\overline{\text{INT0}}$ | D3 | B2 | B1 | B0 | COMMAND |
|--------------------------|--------------------------|--------------------------|--------------------------|----|----|----|----|---|
| X | X | X | X | X | 0 | X | X | No channel selected |
| X | X | X | X | X | 1 | 0 | 0 | Channel 0 enabled |
| X | X | X | X | X | 1 | 0 | 1 | Channel 1 enabled |
| X | X | X | X | X | 1 | 1 | 0 | Channel 2 enabled |
| X | X | X | X | X | 1 | 1 | 1 | Channel 3 enabled |
| 0 | 0 | 0 | 0 | 0 | 0 | 0 | 0 | No channel selected, power-up default state |

(1) Only one channel may be selected at a time.

9.6.4 Interrupt Handling

The TCA9544A provides four interrupt inputs (one for each channel) and one open-drain interrupt output. When an interrupt is generated by any device, it is detected by the TCA9544A, and the interrupt output is driven low. The channel does not need to be active for detection of the interrupt. A bit also is set in the control register (see Table 2).

Bits 4–7 of the control register correspond to channels 0–3 of the TCA9544A, respectively. Therefore, if an interrupt is generated by any device connected to channel 1, the state of the interrupt inputs is loaded into the control register when a read is accomplished. Likewise, an interrupt on any device connected to channel 0 causes bit 4 of the control register to be set on the read. The master then can address the TCA9544A and read the contents of the control register to determine which channel contains the device generating the interrupt. The master can reconfigure the TCA9544A to select this channel and locate the device generating the interrupt and clear it. Once the device responsible for the interrupt clears, the interrupt clears.

It should be noted that more than one device can provide an interrupt on a channel, so it is up to the master to ensure that all devices on a channel are interrogated for an interrupt.

The interrupt inputs can be used as general-purpose inputs if the interrupt function is not required.

If unused, interrupt input(s) must be connected to V_{CC} .

Table 2. Control Register Read (Interrupt)⁽¹⁾

| $\overline{\text{INT3}}$ | $\overline{\text{INT2}}$ | $\overline{\text{INT1}}$ | $\overline{\text{INT0}}$ | D3 | B2 | B1 | B0 | COMMAND |
|--------------------------|--------------------------|--------------------------|--------------------------|----|----|----|----|---------------------------|
| X | X | X | 0 | X | X | X | X | No interrupt on channel 0 |
| | | | 1 | | | | | Interrupt on channel 0 |
| X | X | 0 | X | X | X | X | X | No interrupt on channel 1 |
| | | 1 | | | | | | Interrupt on channel 1 |
| X | 0 | X | X | X | X | X | X | No interrupt on channel 2 |
| | 1 | | | | | | | Interrupt on channel 2 |
| 0 | X | X | X | X | X | X | X | No interrupt on channel 3 |
| 1 | | | | | | | | Interrupt on channel 3 |

(1) Several interrupts can be active at the same time. For example, $\overline{\text{INT3}} = 0$, $\overline{\text{INT2}} = 1$, $\overline{\text{INT1}} = 1$, $\overline{\text{INT0}} = 0$ means that there is no interrupt on channels 0 and 3, and there is interrupt on channels 1 and 2.

10 Application and Implementation

10.1 Application Information

Applications of the TCA9544A will contain an I²C (or SMBus) master device and up to four I²C slave devices. The downstream channels are ideally used to resolve I²C slave address conflicts. For example, if four identical digital temperature sensors are needed in the application, one sensor can be connected at each channel: 0, 1, 2, and 3. When the temperature at a specific location needs to be read, the appropriate channel can be enabled and all other channels switched off, the data can be retrieved, and the I²C master can move on and read the next channel.

In an application where the I²C bus will contain many additional slave devices that do not result in I²C slave address conflicts, these slave devices can be connected to any desired channel to distribute the total bus capacitance across multiple channels. If multiple switches will be enabled simultaneously, additional design requirements must be considered (See [Design Requirements](#) and [Detailed Design Procedure](#)).

10.2 Typical Application

A typical application of the TCA9544A will contain anywhere from 1 to 5 separate data pull-up voltages, V_{DPUX} , one for the master device (V_{DPUM}) and one for each of the selectable slave channels ($V_{DPU0} - V_{DPU3}$). In the event where the master device and all slave devices operate at the same voltage, then the supply voltage can be $V_{CC} = V_{DPUX}$. In an application where voltage translation is necessary, additional design requirements must be considered (See [Design Requirements](#)).

Figure 15 shows an application in which the TCA9544A can be used.

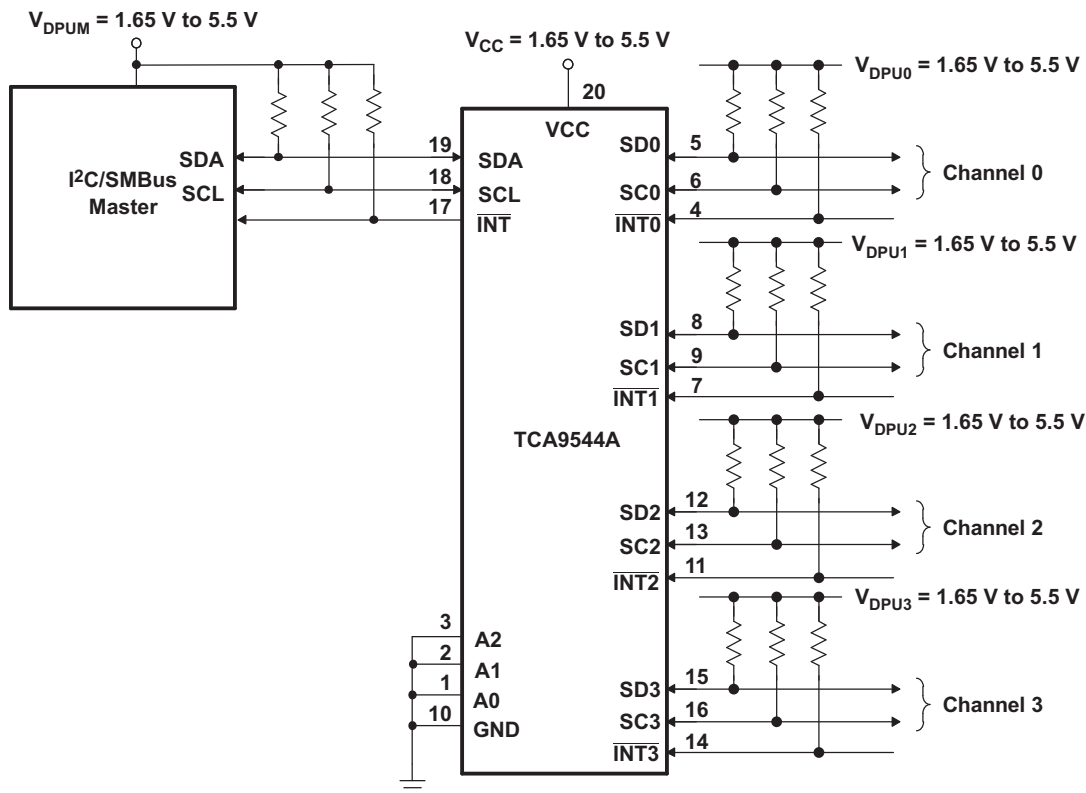


Figure 15. Typical Application Schematic

10.2.1 Design Requirements

The pull-up resistors on the $\overline{INT3}$ - $\overline{INT0}$ pins in the application schematic are not required in all applications. If the device generating the interrupt has an open-drain output structure or can be tri-stated, a pull-up resistor is required. If the device generating the interrupt has a push-pull output structure and cannot be tri-stated, a pull-up resistor is not required. The interrupt inputs should not be left floating in the application.

Typical Application (continued)

The A0 and A1 pins are hardware selectable to control the slave address of the TCA9544A. These pins may be tied directly to GND or V_{CC} in the application.

If multiple slave channels will be activated simultaneously in the application, then the total I_{OL} from SCL/SDA to GND on the master side will be the sum of the currents through all pull-up resistors, R_p .

The pass-gate transistors of the TCA9544A are constructed such that the V_{CC} voltage can be used to limit the maximum voltage that is passed from one I²C bus to another.

Figure 16 shows the voltage characteristics of the pass-gate transistors (note that the graph was generated using data specified in the *Electrical Characteristics* section of this data sheet). In order for the TCA9544A to act as a voltage translator, the V_{pass} voltage must be equal to or lower than the lowest bus voltage. For example, if the main bus is running at 5 V and the downstream buses are 3.3 V and 2.7 V, V_{pass} must be equal to or below 2.7 V to effectively clamp the downstream bus voltages. As shown in Figure 16, $V_{pass(max)}$ is 2.7 V when the TCA9544A supply voltage is 4 V or lower, so the TCA9544A supply voltage could be set to 3.3 V. Pull-up resistors then can be used to bring the bus voltages to their appropriate levels (see Figure 15).

10.2.2 Detailed Design Procedure

Once all the slaves are assigned to the appropriate slave channels and bus voltages are identified, the pull-up resistors, R_p , for each of the buses need to be selected appropriately. The minimum pull-up resistance is a function of V_{DPUX} , $V_{OL(max)}$, and I_{OL} :

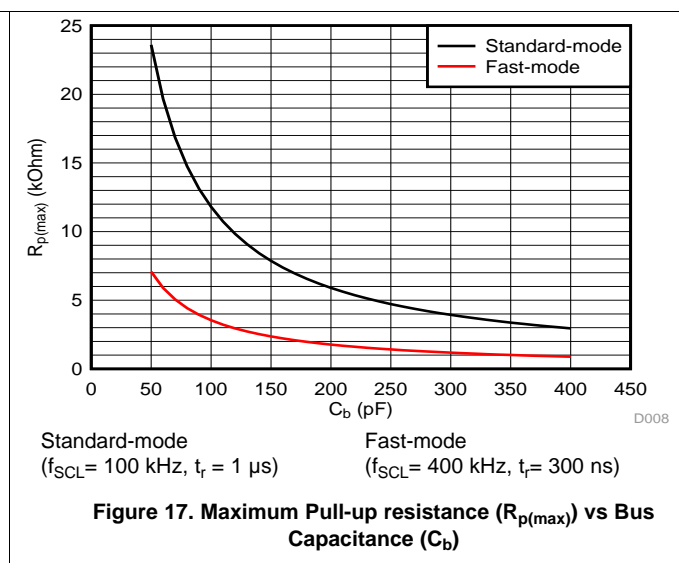
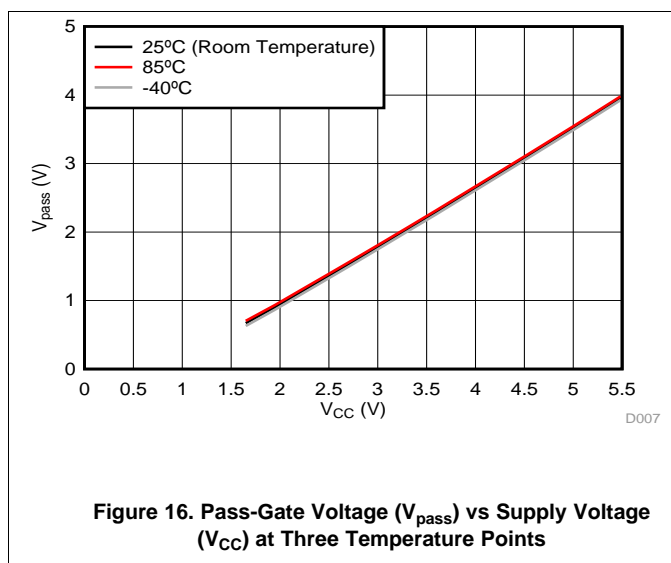
$$R_{p(min)} = \frac{V_{DPUX} - V_{OL(max)}}{I_{OL}} \tag{1}$$

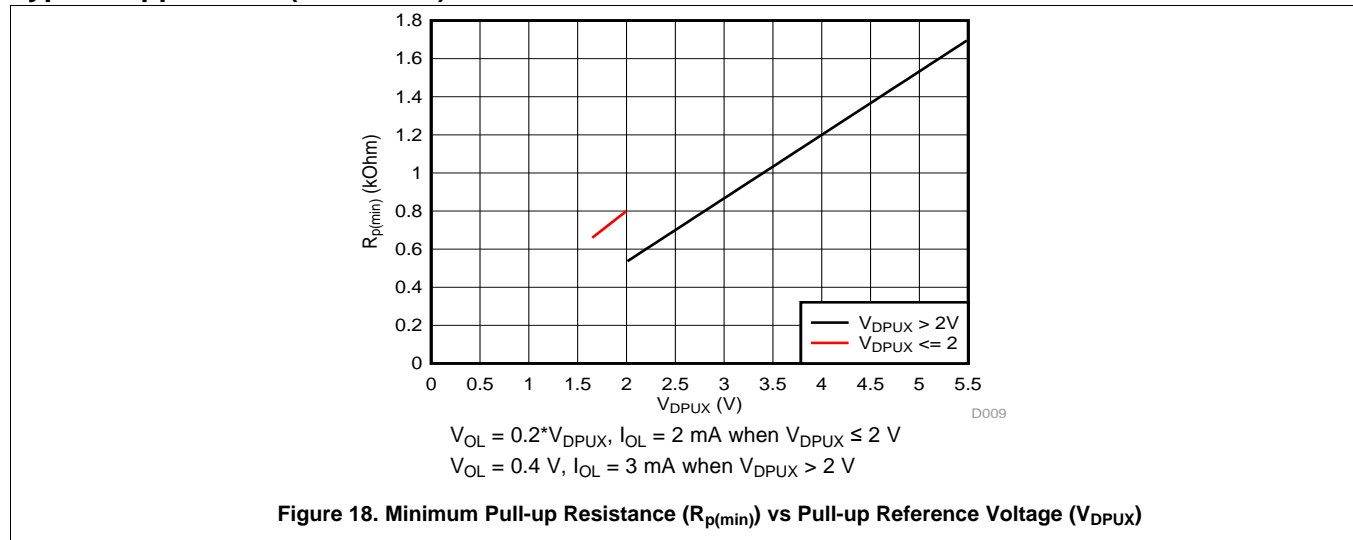
The maximum pull-up resistance is a function of the maximum rise time, t_r (300 ns for fast-mode operation, $f_{SCL} = 400$ kHz) and bus capacitance, C_b :

$$R_{p(max)} = \frac{t_r}{0.8473 \times C_b} \tag{2}$$

The maximum bus capacitance for an I²C bus must not exceed 400 pF for fast-mode operation. The bus capacitance can be approximated by adding the capacitance of the TCA9544A, $C_{iO(OFF)}$, the capacitance of wires/connections/traces, and the capacitance of each individual slave on a given channel. If multiple channels will be activated simultaneously, each of the slaves on all channels will contribute to total bus capacitance.

10.2.3 TCA9544A Application Curves



Typical Application (continued)


11 Power Supply Recommendations

The operating power-supply voltage range of the TCA9544A is 1.65 V to 5.5 V applied at the VCC pin. When the TCA9544A is powered on for the first time or anytime the device needs to be reset by cycling the power supply, the power-on reset requirements must be followed to ensure the I²C bus logic is initialized properly.

11.1 Power-On Reset Requirements

In the event of a glitch or data corruption, TCA9544A can be reset to its default conditions by using the power-on reset feature. Power-on reset requires that the device go through a power cycle to be completely reset. This reset also happens when the device is powered on for the first time in an application.

A power-on reset is shown in Figure 19.

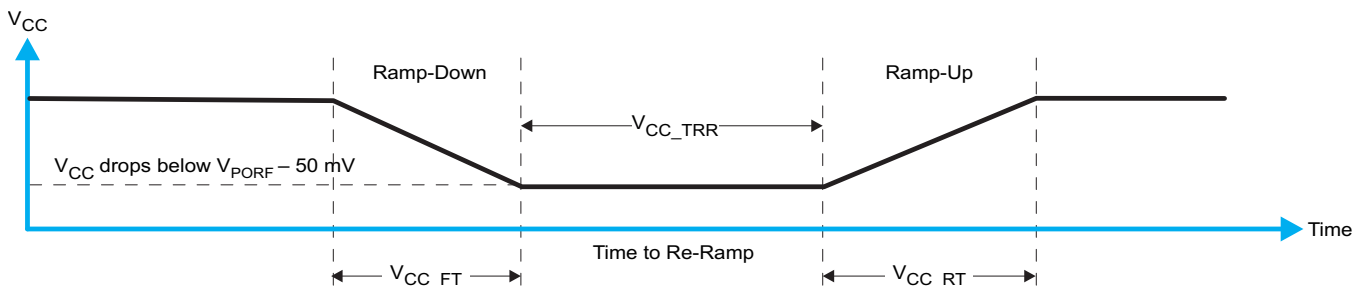


Figure 19. V_{CC} is Lowered Below the POR Threshold, Then Ramped Back Up to V_{CC}

Table 3 specifies the performance of the power-on reset feature for TCA9544A for both types of power-on reset.

Table 3. Recommended Supply Sequencing And Ramp Rates⁽¹⁾

| PARAMETER | | MIN | TYP | MAX | UNIT |
|---------------------|--|---------------|------|------|------|
| V _{CC_FT} | Fall time | See Figure 19 | 1 | | ms |
| V _{CC_RT} | Rise time | See Figure 19 | 0.1 | | ms |
| V _{CC_TRR} | Time to re-ramp (when V _{CC} drops below V _{PORF(min)} – 50 mV or when V _{CC} drops to GND) | See Figure 19 | 40 | | μs |
| V _{CC_GH} | Level that V _{CC} can glitch down to, but not cause a functional disruption when V _{CC_GW} = 1 μs | See Figure 20 | | 1.2 | V |
| V _{CC_GW} | Glitch width that will not cause a functional disruption when V _{CC_GH} = 0.5 × V _{CC} | See Figure 20 | | 10 | μs |
| V _{PORF} | Voltage trip point of POR on falling V _{CC} | See Figure 21 | 0.8 | 1.25 | V |
| V _{PORR} | Voltage trip point of POR on rising V _{CC} | See Figure 21 | 1.05 | 1.5 | V |

(1) All supply sequencing and ramp rate values are measured at T_A = 25°C

Glitches in the power supply can also affect the power-on reset performance of this device. The glitch width (V_{CC_GW}) and height (V_{CC_GH}) are dependent on each other. The bypass capacitance, source impedance, and device impedance are factors that affect power-on reset performance. Figure 20 and Table 3 provide more information on how to measure these specifications.

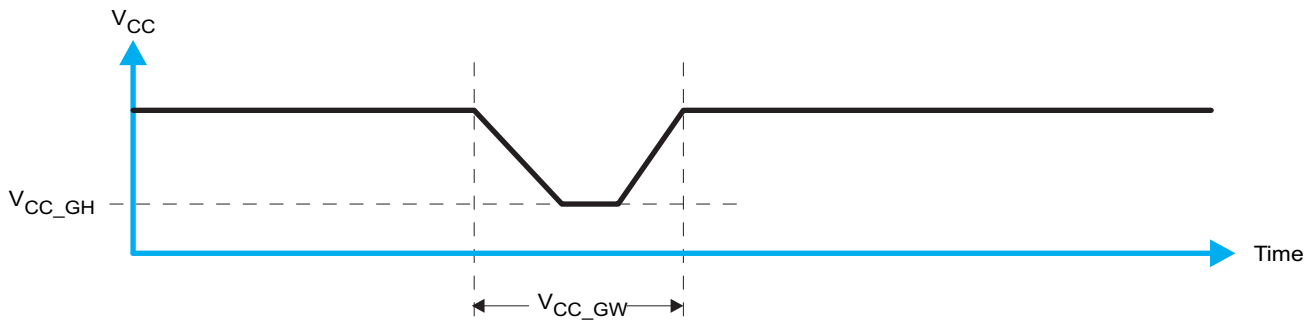


Figure 20. Glitch Width and Glitch Height

V_{POR} is critical to the power-on reset. V_{POR} is the voltage level at which the reset condition is released and all the registers and the I²C/SMBus state machine are initialized to their default states. The value of V_{POR} differs based on the V_{CC} being lowered to or from 0. Figure 21 and Table 3 provide more details on this specification.

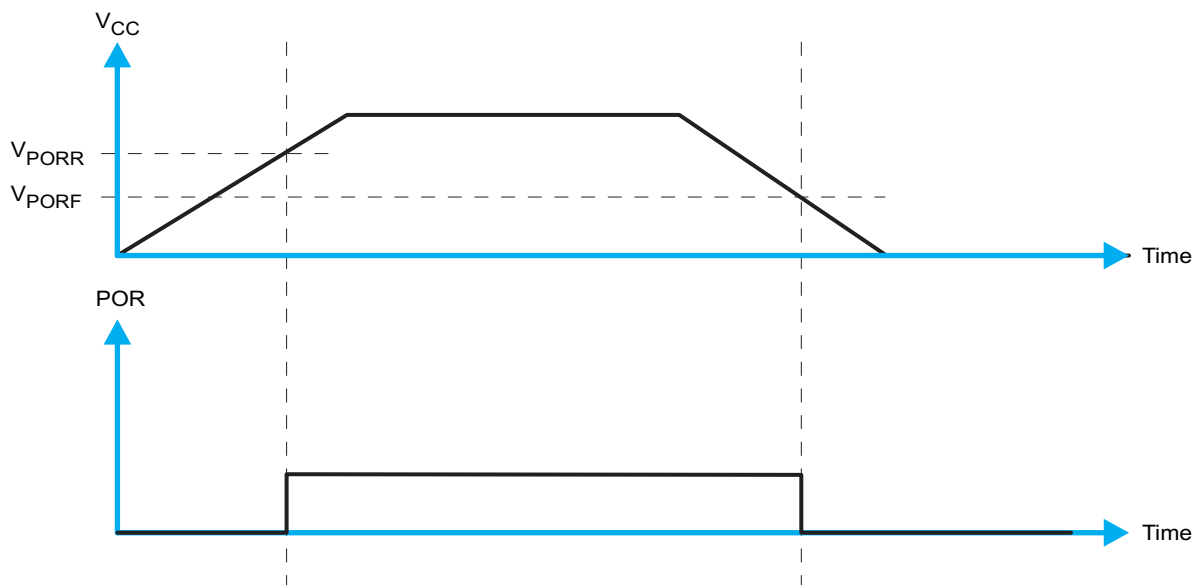


Figure 21. V_{POR}

12 Layout

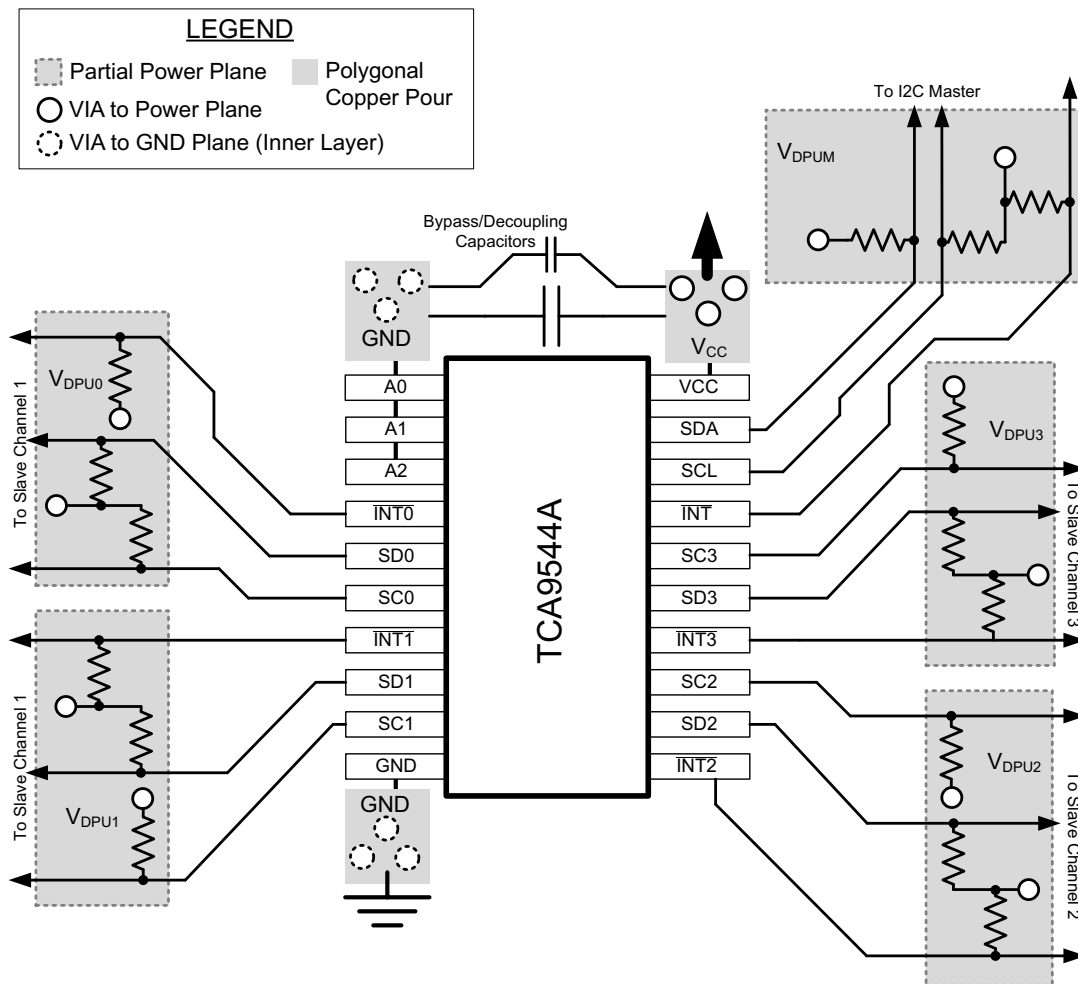
12.1 Layout Guidelines

For PCB layout of the TCA9544A, common PCB layout practices should be followed but additional concerns related to high-speed data transfer such as matched impedances and differential pairs are not a concern for I²C signal speeds. It is common to have a dedicated ground plane on an inner layer of the board and pins that are connected to ground should have a low-impedance path to the ground plane in the form of wide polygon pours and multiple vias. By-pass and de-coupling capacitors are commonly used to control the voltage on the VCC pin, using a larger capacitor to provide additional power in the event of a short power supply glitch and a smaller capacitor to filter out high-frequency ripple.

In an application where voltage translation is not required, all V_{DPUX} voltages and V_{CC} could be at the same potential and a single copper plane could connect all of pull-up resistors to the appropriate reference voltage. In an application where voltage translation is required, V_{DPUM}, V_{DPU0}, V_{DPU1}, V_{DPU2}, and V_{DPU3} may all be on the same layer of the board with split planes to isolate different voltage potentials.

To reduce the total I²C bus capacitance added by PCB parasitics, data lines (SC_n, SD_n and INT_n) should be as short as possible and the widths of the traces should also be minimized (e.g. 5-10 mils depending on copper weight).

12.2 Layout Example



13 Device and Documentation Support

13.1 Trademarks

All trademarks are the property of their respective owners.

13.2 Electrostatic Discharge Caution



These devices have limited built-in ESD protection. The leads should be shorted together or the device placed in conductive foam during storage or handling to prevent electrostatic damage to the MOS gates.

13.3 Glossary

[SLYZ022](#) — *TI Glossary*.

This glossary lists and explains terms, acronyms and definitions.

14 Mechanical, Packaging, and Orderable Information

The following pages include mechanical, packaging, and orderable information. This information is the most current data available for the designated devices. This data is subject to change without notice and revision of this document. For browser-based versions of this data sheet, refer to the left-hand navigation.

PACKAGING INFORMATION

| Orderable Device | Status (1) | Package Type | Package Drawing | Pins | Package Qty | Eco Plan (2) | Lead/Ball Finish (6) | MSL Peak Temp (3) | Op Temp (°C) | Device Marking (4/5) | Samples |
|------------------|---------------|--------------|--------------------|------|----------------|----------------------------|-------------------------|----------------------|--------------|-------------------------|---------|
| TCA9544APWR | ACTIVE | TSSOP | PW | 20 | 2000 | Green (RoHS & no Sb/Br) | CU NIPDAU | Level-1-260C-UNLIM | -40 to 85 | PW544A | Samples |

(1) The marketing status values are defined as follows:

ACTIVE: Product device recommended for new designs.

LIFEBUY: TI has announced that the device will be discontinued, and a lifetime-buy period is in effect.

NRND: Not recommended for new designs. Device is in production to support existing customers, but TI does not recommend using this part in a new design.

PREVIEW: Device has been announced but is not in production. Samples may or may not be available.

OBSOLETE: TI has discontinued the production of the device.

(2) Eco Plan - The planned eco-friendly classification: Pb-Free (RoHS), Pb-Free (RoHS Exempt), or Green (RoHS & no Sb/Br) - please check <http://www.ti.com/productcontent> for the latest availability information and additional product content details.

TBD: The Pb-Free/Green conversion plan has not been defined.

Pb-Free (RoHS): TI's terms "Lead-Free" or "Pb-Free" mean semiconductor products that are compatible with the current RoHS requirements for all 6 substances, including the requirement that lead not exceed 0.1% by weight in homogeneous materials. Where designed to be soldered at high temperatures, TI Pb-Free products are suitable for use in specified lead-free processes.

Pb-Free (RoHS Exempt): This component has a RoHS exemption for either 1) lead-based flip-chip solder bumps used between the die and package, or 2) lead-based die adhesive used between the die and leadframe. The component is otherwise considered Pb-Free (RoHS compatible) as defined above.

Green (RoHS & no Sb/Br): TI defines "Green" to mean Pb-Free (RoHS compatible), and free of Bromine (Br) and Antimony (Sb) based flame retardants (Br or Sb do not exceed 0.1% by weight in homogeneous material)

(3) MSL, Peak Temp. - The Moisture Sensitivity Level rating according to the JEDEC industry standard classifications, and peak solder temperature.

(4) There may be additional marking, which relates to the logo, the lot trace code information, or the environmental category on the device.

(5) Multiple Device Markings will be inside parentheses. Only one Device Marking contained in parentheses and separated by a "~" will appear on a device. If a line is indented then it is a continuation of the previous line and the two combined represent the entire Device Marking for that device.

(6) Lead/Ball Finish - Orderable Devices may have multiple material finish options. Finish options are separated by a vertical ruled line. Lead/Ball Finish values may wrap to two lines if the finish value exceeds the maximum column width.

Important Information and Disclaimer: The information provided on this page represents TI's knowledge and belief as of the date that it is provided. TI bases its knowledge and belief on information provided by third parties, and makes no representation or warranty as to the accuracy of such information. Efforts are underway to better integrate information from third parties. TI has taken and continues to take reasonable steps to provide representative and accurate information but may not have conducted destructive testing or chemical analysis on incoming materials and chemicals. TI and TI suppliers consider certain information to be proprietary, and thus CAS numbers and other limited information may not be available for release.

In no event shall TI's liability arising out of such information exceed the total purchase price of the TI part(s) at issue in this document sold by TI to Customer on an annual basis.

TAPE AND REEL INFORMATION



QUADRANT ASSIGNMENTS FOR PIN 1 ORIENTATION IN TAPE



*All dimensions are nominal

| Device | Package Type | Package Drawing | Pins | SPQ | Reel Diameter (mm) | Reel Width W1 (mm) | A0 (mm) | B0 (mm) | K0 (mm) | P1 (mm) | W (mm) | Pin1 Quadrant |
|-------------|--------------|-----------------|------|------|--------------------|--------------------|---------|---------|---------|---------|--------|---------------|
| TCA9544APWR | TSSOP | PW | 20 | 2000 | 330.0 | 16.4 | 6.95 | 7.1 | 1.6 | 8.0 | 16.0 | Q1 |

TAPE AND REEL BOX DIMENSIONS



*All dimensions are nominal

| Device | Package Type | Package Drawing | Pins | SPQ | Length (mm) | Width (mm) | Height (mm) |
|-------------|--------------|-----------------|------|------|-------------|------------|-------------|
| TCA9544APWR | TSSOP | PW | 20 | 2000 | 367.0 | 367.0 | 38.0 |

PW (R-PDSO-G20)

PLASTIC SMALL OUTLINE



- NOTES:
- A. All linear dimensions are in millimeters.
 - B. This drawing is subject to change without notice.
 - C. Publication IPC-7351 is recommended for alternate design.
 - D. Laser cutting apertures with trapezoidal walls and also rounding corners will offer better paste release. Customers should contact their board assembly site for stencil design recommendations. Refer to IPC-7525 for other stencil recommendations.
 - E. Customers should contact their board fabrication site for solder mask tolerances between and around signal pads.

IMPORTANT NOTICE

Texas Instruments Incorporated and its subsidiaries (TI) reserve the right to make corrections, enhancements, improvements and other changes to its semiconductor products and services per JESD46, latest issue, and to discontinue any product or service per JESD48, latest issue. Buyers should obtain the latest relevant information before placing orders and should verify that such information is current and complete. All semiconductor products (also referred to herein as "components") are sold subject to TI's terms and conditions of sale supplied at the time of order acknowledgment.

TI warrants performance of its components to the specifications applicable at the time of sale, in accordance with the warranty in TI's terms and conditions of sale of semiconductor products. Testing and other quality control techniques are used to the extent TI deems necessary to support this warranty. Except where mandated by applicable law, testing of all parameters of each component is not necessarily performed.

TI assumes no liability for applications assistance or the design of Buyers' products. Buyers are responsible for their products and applications using TI components. To minimize the risks associated with Buyers' products and applications, Buyers should provide adequate design and operating safeguards.

TI does not warrant or represent that any license, either express or implied, is granted under any patent right, copyright, mask work right, or other intellectual property right relating to any combination, machine, or process in which TI components or services are used. Information published by TI regarding third-party products or services does not constitute a license to use such products or services or a warranty or endorsement thereof. Use of such information may require a license from a third party under the patents or other intellectual property of the third party, or a license from TI under the patents or other intellectual property of TI.

Reproduction of significant portions of TI information in TI data books or data sheets is permissible only if reproduction is without alteration and is accompanied by all associated warranties, conditions, limitations, and notices. TI is not responsible or liable for such altered documentation. Information of third parties may be subject to additional restrictions.

Resale of TI components or services with statements different from or beyond the parameters stated by TI for that component or service voids all express and any implied warranties for the associated TI component or service and is an unfair and deceptive business practice. TI is not responsible or liable for any such statements.

Buyer acknowledges and agrees that it is solely responsible for compliance with all legal, regulatory and safety-related requirements concerning its products, and any use of TI components in its applications, notwithstanding any applications-related information or support that may be provided by TI. Buyer represents and agrees that it has all the necessary expertise to create and implement safeguards which anticipate dangerous consequences of failures, monitor failures and their consequences, lessen the likelihood of failures that might cause harm and take appropriate remedial actions. Buyer will fully indemnify TI and its representatives against any damages arising out of the use of any TI components in safety-critical applications.

In some cases, TI components may be promoted specifically to facilitate safety-related applications. With such components, TI's goal is to help enable customers to design and create their own end-product solutions that meet applicable functional safety standards and requirements. Nonetheless, such components are subject to these terms.

No TI components are authorized for use in FDA Class III (or similar life-critical medical equipment) unless authorized officers of the parties have executed a special agreement specifically governing such use.

Only those TI components which TI has specifically designated as military grade or "enhanced plastic" are designed and intended for use in military/aerospace applications or environments. Buyer acknowledges and agrees that any military or aerospace use of TI components which have **not** been so designated is solely at the Buyer's risk, and that Buyer is solely responsible for compliance with all legal and regulatory requirements in connection with such use.

TI has specifically designated certain components as meeting ISO/TS16949 requirements, mainly for automotive use. In any case of use of non-designated products, TI will not be responsible for any failure to meet ISO/TS16949.

Products

| | |
|------------------------------|--|
| Audio | www.ti.com/audio |
| Amplifiers | amplifier.ti.com |
| Data Converters | dataconverter.ti.com |
| DLP® Products | www.dlp.com |
| DSP | dsp.ti.com |
| Clocks and Timers | www.ti.com/clocks |
| Interface | interface.ti.com |
| Logic | logic.ti.com |
| Power Mgmt | power.ti.com |
| Microcontrollers | microcontroller.ti.com |
| RFID | www.ti-rfid.com |
| OMAP Applications Processors | www.ti.com/omap |
| Wireless Connectivity | www.ti.com/wirelessconnectivity |

Applications

| | |
|-------------------------------|--|
| Automotive and Transportation | www.ti.com/automotive |
| Communications and Telecom | www.ti.com/communications |
| Computers and Peripherals | www.ti.com/computers |
| Consumer Electronics | www.ti.com/consumer-apps |
| Energy and Lighting | www.ti.com/energy |
| Industrial | www.ti.com/industrial |
| Medical | www.ti.com/medical |
| Security | www.ti.com/security |
| Space, Avionics and Defense | www.ti.com/space-avionics-defense |
| Video and Imaging | www.ti.com/video |

TI E2E Community

e2e.ti.com