

## TLC5925 Low-Power 16-Channel Constant-Current LED Sink Driver

### 1 Features

- 16 Constant-Current Output Channels
- Constant Output Current Invariant to Load Voltage Change
- Excellent Output Current Accuracy:
  - Between Channels:  $< \pm 4\%$  (Max)
  - Between ICs:  $< \pm 6\%$  (Max)
- Constant Output Current Range: 3 mA to 45 mA
- Output Current Adjusted By External Resistor
- Fast Response of Output Current,  $\overline{OE}$  (Min): 100 ns
- 30-MHz Clock Frequency
- Schmitt-Trigger Inputs
- 3.3-V to 5-V Supply Voltage
- Thermal Shutdown for Overtemperature Protection
- ESD Performance: 1-kV HBM

### 2 Applications

- Gaming Machine and Entertainment
- General LED Applications
- LED Display Systems
- Signs LED Lighting
- White Goods

### 3 Description

The TLC5925 is designed for LED displays and LED lighting applications. The TLC5925 contains a 16-bit shift register and data latches, which convert serial input data into parallel output format. At the TLC5925 output stage, 16 regulated-current ports provide uniform and constant current for driving LEDs within a wide range of VF variations. Used in system design for LED display applications (such as, LED panels), the TLC5925 provides great flexibility and device performance. Users can adjust the output current from 3 mA to 45 mA through an external resistor,  $R_{EXT}$ , which gives flexibility in controlling the light intensity of LEDs. TLC5925 is designed for up to 17 V at the output port. The high clock frequency, 30 MHz, also satisfies the system requirements of high-volume data transmission.

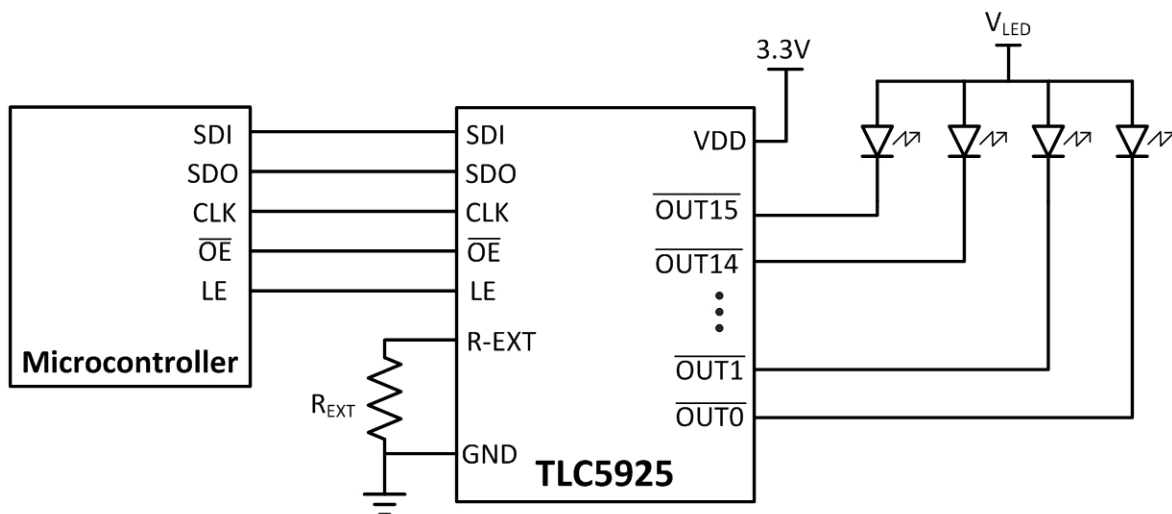
The serial data is transferred into TLC5925 via SDI, shifted in the shift register, and transferred out via SDO. LE can latch the serial data in the shift register to the output latch.  $\overline{OE}$  enables the output drivers to sink current.

Device Information (1)

PART NUMBER	PACKAGE	BODY SIZE (NOM)
TLC5925	SSOP (24)	8.65 mm x 3.90 mm
	SOIC (24)	15.40 mm x 7.50 mm
	TSSOP (24)	7.80 mm x 4.40 mm

(1) For all available packages, see the orderable addendum at the end of the datasheet.

### Typical Application



## Table of Contents

<b>1 Features</b> .....	<b>1</b>	<b>8 Detailed Description</b> .....	<b>12</b>
<b>2 Applications</b> .....	<b>1</b>	8.1 Overview .....	12
<b>3 Description</b> .....	<b>1</b>	8.2 Functional Block Diagram .....	12
<b>4 Revision History</b> .....	<b>2</b>	8.3 Feature Description .....	12
<b>5 Pin Configuration and Functions</b> .....	<b>3</b>	8.4 Device Functional Modes .....	13
<b>6 Specifications</b> .....	<b>4</b>	<b>9 Application and Implementation</b> .....	<b>14</b>
6.1 Absolute Maximum Ratings .....	4	9.1 Application Information .....	14
6.2 ESD Ratings .....	4	9.2 Typical Application .....	15
6.3 Recommended Operating Conditions .....	4	<b>10 Power Supply Recommendations</b> .....	<b>16</b>
6.4 Thermal Information .....	5	<b>11 Layout</b> .....	<b>16</b>
6.5 Electrical Characteristics: $V_{DD} = 3\text{ V}$ .....	5	11.1 Layout Guidelines .....	16
6.6 Electrical Characteristics: $V_{DD} = 5.5\text{ V}$ .....	6	11.2 Layout Example .....	17
6.7 Power Dissipation and Thermal Impedance .....	6	<b>12 Device and Documentation Support</b> .....	<b>18</b>
6.8 Timing Requirements .....	7	12.1 Community Resources .....	18
6.9 Switching Characteristics: $V_{DD} = 3\text{ V}$ .....	7	12.2 Trademarks .....	18
6.10 Switching Characteristics: $V_{DD} = 5.5\text{ V}$ .....	8	12.3 Electrostatic Discharge Caution .....	18
6.11 Typical Characteristics .....	9	12.4 Glossary .....	18
<b>7 Parameter Measurement Information</b> .....	<b>10</b>	<b>13 Mechanical, Packaging, and Orderable Information</b> .....	<b>18</b>

## 4 Revision History

NOTE: Page numbers for previous revisions may differ from page numbers in the current version.

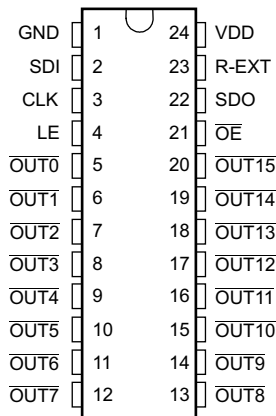
### Changes from Revision A (March 2013) to Revision B

Page

- Added *Pin Configuration and Functions* section, *ESD Ratings* table, *Feature Description* section, *Device Functional Modes*, *Application and Implementation* section, *Power Supply Recommendations* section, *Layout* section, *Device and Documentation Support* section, and *Mechanical, Packaging, and Orderable Information* section ..... **1**

## 5 Pin Configuration and Functions

**DBQ, DW, or PWP Package  
24-Pin SSOP, SOIC, or TSSOP  
Top View**



**Pin Functions**

PIN		I/O	DESCRIPTION
NAME	NO.		
CLK	3	I	Clock input for data shift on rising edge
GND	1	—	Ground for control logic and current sink
LE	4	I	Data strobe input Serial data is transferred to the respective latch when LE is high. The data is latched when LE goes low. LE has an internal pull-down resistor.
$\overline{OE}$	21	I	Output enable When $\overline{OE}$ is active (low), the output drivers are enabled. When $\overline{OE}$ is high, all output drivers are turned OFF (blanked). $\overline{OE}$ has an internal pullup resistor.
$\overline{OUT0}$	5	O	Constant-current outputs
$\overline{OUT1}$	6		
$\overline{OUT2}$	7		
$\overline{OUT3}$	8		
$\overline{OUT4}$	9		
$\overline{OUT5}$	10		
$\overline{OUT6}$	11		
$\overline{OUT7}$	12		
$\overline{OUT8}$	13		
$\overline{OUT9}$	14		
$\overline{OUT10}$	15		
$\overline{OUT11}$	16		
$\overline{OUT12}$	17		
$\overline{OUT13}$	18		
$\overline{OUT14}$	19		
$\overline{OUT15}$	20		
R-EXT	23	I	Input used to connect an external resistor ( $R_{ext}$ ) for setting output currents
SDI	2	I	Serial-data input to the Shift register
SDO	22	O	Serial-data output to the following SDI of next driver IC or to the microcontroller
VDD	24	I	Supply voltage

## 6 Specifications

### 6.1 Absolute Maximum Ratings

over operating free-air temperature range (unless otherwise noted) <sup>(1)</sup>

		MIN	MAX	UNIT
V <sub>DD</sub>	Supply voltage	0	7	V
V <sub>I</sub>	Input voltage	-0.4	V <sub>DD</sub> + 0.4	V
V <sub>O</sub>	Output voltage	-0.5	20	V
I <sub>OUT</sub>	Output current		45	mA
I <sub>GND</sub>	GND terminal current		750	mA
T <sub>A</sub>	Free-air operating temperature range	-40	125	°C
T <sub>J</sub>	Operating junction temperature range	-40	150	°C
T <sub>stg</sub>	Storage temperature range	-55	150	°C

- (1) Stresses beyond those listed under *Absolute Maximum Ratings* may cause permanent damage to the device. These are stress ratings only, which do not imply functional operation of the device at these or any other conditions beyond those indicated under *Recommended Operating Conditions*. Exposure to absolute-maximum-rated conditions for extended periods may affect device reliability.

### 6.2 ESD Ratings

		VALUE	UNIT
V <sub>(ESD)</sub>	Electrostatic discharge	Human body model (HBM), per ANSI/ESDA/JEDEC JS-001 <sup>(1)</sup>	±1000
		Charged-device model (CDM), per JEDEC specification JESD22-C101 <sup>(2)</sup>	±500

- (1) JEDEC document JEP155 states that 500-V HBM allows safe manufacturing with a standard ESD control process.  
 (2) JEDEC document JEP157 states that 250-V CDM allows safe manufacturing with a standard ESD control process.

### 6.3 Recommended Operating Conditions

over operating free-air temperature range (unless otherwise noted)

		MIN	MAX	UNIT
V <sub>DD</sub>	Supply voltage	3	5.5	V
V <sub>O</sub>	Output voltage	OUT <sub>0</sub> to OUT <sub>15</sub>		17
I <sub>O</sub>	Output current	DC test circuit	V <sub>O</sub> ≥ 0.6 V	3
			V <sub>O</sub> ≥ 1 V	45
I <sub>OH</sub>	High-level output current	SDO		-1
I <sub>OL</sub>	Low-level output current	SDO		1
V <sub>IH</sub>	High-level input voltage	CLK, $\overline{OE}$ , LE, and SDI		0.7 × V <sub>DD</sub>
V <sub>IL</sub>	Low-level input voltage	CLK, $\overline{OE}$ , LE, and SDI		GND
t <sub>R</sub>	Rise Time	CLK		500
t <sub>F</sub>	Fall Time	CLK		500

## 6.4 Thermal Information

THERMAL METRIC <sup>(1)</sup>			TLC5925			UNIT
			DBQ (SSOP)	DW (SOIC)	PW (TSSOP)	
			24 PINS	24 PINS	24 PINS	
R <sub>θJA</sub>	Junction-to-ambient thermal resistance	Mounted on JEDEC 1-layer board (JESD 51-3), No airflow	99.8	80.5	118.8	°C/W
		Mounted on JEDEC 4-layer board (JESD 51-7), No airflow	61	45.5	87.9	°C/W
R <sub>θJC(top)</sub>	Junction-to-case (top) thermal resistance		52.9	45.0	44.9	°C/W
R <sub>θJB</sub>	Junction-to-board thermal resistance		41.5	44.8	52.9	°C/W
Ψ <sub>JT</sub>	Junction-to-top characterization parameter		16.4	21.7	6.7	°C/W
Ψ <sub>JB</sub>	Junction-to-board characterization parameter		41.2	44.4	52.5	°C/W
R <sub>θJC(bot)</sub>	Junction-to-case (bottom) thermal resistance		n/a	n/a	n/a	°C/W

(1) For more information about traditional and new thermal metrics, see the *Semiconductor and IC Package Thermal Metrics* application report, [SPRA953](#).

## 6.5 Electrical Characteristics: V<sub>DD</sub> = 3 V

V<sub>DD</sub> = 3 V, T<sub>J</sub> = –40°C to 125°C (unless otherwise noted)

PARAMETER		TEST CONDITIONS	MIN	TYP	MAX	UNIT
V <sub>DD</sub>	Input voltage		3		5.5	V
V <sub>O</sub>	Output voltage				17	V
I <sub>O</sub>	Output current	V <sub>O</sub> ≥ 0.6 V	3			mA
		V <sub>O</sub> ≥ 1 V			45	
I <sub>OH</sub>	High-level output current, source		-1			mA
I <sub>OL</sub>	Low-level output current, sink		1			
V <sub>IH</sub>	High-level input voltage		0.7 × V <sub>DD</sub>		V <sub>DD</sub>	V
V <sub>IL</sub>	Low-level input voltage		GND		0.3 × V <sub>DD</sub>	
I <sub>leak</sub>	Output leakage current	V <sub>OH</sub> = 17 V	T <sub>J</sub> = 25°C		0.5	μA
			T <sub>J</sub> = 125°C		2	
V <sub>OH</sub>	High-level output voltage	SDO, I <sub>OL</sub> = –1 mA	V <sub>DD</sub> – 0.4			V
V <sub>OL</sub>	Low-level output voltage	SDO, I <sub>OH</sub> = 1 mA			0.4	V
I <sub>O(1)</sub>	Output current 1	V <sub>OUT</sub> = 0.6 V, R <sub>ext</sub> = 1680 Ω	13			mA
	Output current error, die-die	I <sub>OL</sub> = 13 mA, V <sub>O</sub> = 0.6 V, R <sub>ext</sub> = 1680 Ω, T <sub>J</sub> = 25°C	±3%		±6%	
	Output current error, channel-to-channel	I <sub>OL</sub> = 13 mA, V <sub>O</sub> = 0.6 V, R <sub>ext</sub> = 1680 Ω, T <sub>J</sub> = 25°C	±1.5%		±4%	
I <sub>O(2)</sub>	Output current 2	V <sub>O</sub> = 0.8 V, R <sub>ext</sub> = 840 Ω	26			mA
	Output current error, die-die	I <sub>OL</sub> = 26 mA, V <sub>O</sub> = 0.8 V, R <sub>ext</sub> = 840 Ω, T <sub>J</sub> = 25°C	±3%		±6%	
	Output current error, channel-to-channel	I <sub>OL</sub> = 26 mA, V <sub>O</sub> = 0.8 V, R <sub>ext</sub> = 840 Ω, T <sub>J</sub> = 25°C	±1.5%		±4%	
I <sub>OUT</sub> vs V <sub>OUT</sub>	Output current vs output voltage regulation	V <sub>O</sub> = 1 V to 3 V, I <sub>O</sub> = 13 mA	±0.1			%V
		V <sub>DD</sub> = 3.0 V to 5.5 V, I <sub>O</sub> = 13 mA to 45 mA	±1			
	Pullup resistance	$\overline{OE}$	500			kΩ
	Pulldown resistance	LE	500			kΩ
T <sub>sd</sub>	Overtemperature shutdown <sup>(1)</sup>		150	175	200	°C
T <sub>hys</sub>	Restart temperature hysteresis		15			°C
I <sub>DD</sub>	Supply current	R <sub>ext</sub> = Open	7		10	mA
		R <sub>ext</sub> = 1680 Ω	9		12	
		R <sub>ext</sub> = 840 Ω	11		13	
C <sub>IN</sub>	Input capacitance	V <sub>I</sub> = V <sub>DD</sub> or GND, CLK, SDI, SDO, $\overline{OE}$			10	pF

(1) Specified by design

## 6.6 Electrical Characteristics: $V_{DD} = 5.5\text{ V}$

 $V_{DD} = 5.5\text{ V}$ ,  $T_J = -40^\circ\text{C}$  to  $125^\circ\text{C}$  (unless otherwise noted)

PARAMETER		TEST CONDITIONS	MIN	TYP	MAX	UNIT
$V_{DD}$	Input voltage		3		5.5	V
$V_O$	Output voltage				17	V
$I_O$	Output current	$V_O \geq 0.6\text{ V}$	3			mA
		$V_O \geq 1\text{ V}$			45	
$I_{OH}$	High-level output current, source		-1			mA
$I_{OL}$	Low-level output current, sink		1			
$V_{IH}$	High-level input voltage		$0.7 \times V_{DD}$		$V_{DD}$	V
$V_{IL}$	Low-level input voltage		GND		$0.3 \times V_{DD}$	
$I_{leak}$	Output leakage current	$V_{OH} = 17\text{ V}$	$T_J = 25^\circ\text{C}$		0.5	$\mu\text{A}$
			$T_J = 125^\circ\text{C}$		2	
$V_{OH}$	High-level output voltage	SDO, $I_{OL} = -1\text{ mA}$	$V_{DD} - 0.4$			V
$V_{OL}$	Low-level output voltage	SDO, $I_{OH} = 1\text{ mA}$			0.4	V
$I_{O(1)}$	Output current 1	$V_{OUT} = 0.6\text{ V}$ , $R_{ext} = 1680\ \Omega$		13		mA
	Output current error, die-die	$I_{OL} = 13\text{ mA}$ , $V_O = 0.6\text{ V}$ , $R_{ext} = 1680\ \Omega$ , $T_J = 25^\circ\text{C}$		$\pm 3\%$	$\pm 6\%$	
	Output current error, channel-to-channel	$I_{OL} = 13\text{ mA}$ , $V_O = 0.6\text{ V}$ , $R_{ext} = 1680\ \Omega$ , $T_J = 25^\circ\text{C}$		$\pm 1.5\%$	$\pm 4\%$	
$I_{O(2)}$	Output current 2	$V_O = 0.8\text{ V}$ , $R_{ext} = 840\ \Omega$		26		mA
	Output current error, die-die	$I_{OL} = 26\text{ mA}$ , $V_O = 0.8\text{ V}$ , $R_{ext} = 840\ \Omega$ , $T_J = 25^\circ\text{C}$		$\pm 3\%$	$\pm 6\%$	
	Output current error, channel-to-channel	$I_{OL} = 26\text{ mA}$ , $V_O = 0.8\text{ V}$ , $R_{ext} = 840\ \Omega$ , $T_J = 25^\circ\text{C}$		$\pm 1.5\%$	$\pm 4\%$	
$I_{OUT}$ vs $V_{OUT}$	Output current vs output voltage regulation	$V_O = 1\text{ V}$ to $3\text{ V}$ , $I_O = 26\text{ mA}$		$\pm 0.1$		%V
		$V_{DD} = 3.0\text{ V}$ to $5.5\text{ V}$ , $I_O = 13\text{ mA}$ to $45\text{ mA}$		$\pm 1$		
	Pullup resistance	$\overline{OE}$		500		k $\Omega$
	Pulldown resistance	LE		500		k $\Omega$
$T_{sd}$	Overtemperature shutdown <sup>(1)</sup>		150	175	200	$^\circ\text{C}$
$T_{hys}$	Restart temperature hysteresis			15		$^\circ\text{C}$
$I_{DD}$	Supply current	$R_{ext} = \text{Open}$		9	11	mA
		$R_{ext} = 1680\ \Omega$		12	14	
		$R_{ext} = 840\ \Omega$		14	16	
$C_{IN}$	Input capacitance	$V_I = V_{DD}$ or GND, CLK, SDI, SDO, $\overline{OE}$			10	pF

(1) Specified by design

## 6.7 Power Dissipation and Thermal Impedance

			MIN	MAX	UNIT
$P_D$	Power dissipation	Mounted on JEDEC 4-layer board (JESD 51-7), No airflow, $T_A = 25^\circ\text{C}$ , $T_J = 125^\circ\text{C}$	DBQ package	1.6	W
			DW package	2.2	
			PW package	1.1	

## 6.8 Timing Requirements

 $V_{DD} = 3\text{ V to }5.5\text{ V}$  (unless otherwise noted)

		MIN	MAX	UNIT
$t_{w(L)}$	LE pulse duration	15		ns
$t_{w(CLK)}$	CLK pulse duration	15		ns
$t_{w(OE)}$	$\overline{OE}$ pulse duration	300		ns
$t_{su(D)}$	Setup time for SDI	3		ns
$t_{h(D)}$	Hold time for SDI	2		ns
$t_{su(L)}$	Setup time for LE	5		ns
$t_{h(L)}$	Hold time for LE	5		ns
$f_{CLK}$	Clock frequency, Cascade operation		30	MHz

## 6.9 Switching Characteristics: $V_{DD} = 3\text{ V}$

 $V_{DD} = 3\text{ V}$ ,  $T_J = -40^\circ\text{C to }125^\circ\text{C}$  (unless otherwise noted)

PARAMETER	TEST CONDITIONS	MIN	TYP	MAX	UNIT
$t_{PLH1}$	Low-to-high propagation delay time, CLK to $\overline{OUTn}$	30	45	60	ns
$t_{PLH2}$	Low-to-high propagation delay time, LE to $\overline{OUTn}$	30	45	60	ns
$t_{PLH3}$	Low-to-high propagation delay time, $\overline{OE}$ to $\overline{OUTn}$	30	45	60	ns
$t_{PLH4}$	Low-to-high propagation delay time, CLK to SDO		30	40	ns
$t_{PHL1}$	High-to-low propagation delay time, CLK to $\overline{OUTn}$	40	65	100	ns
$t_{PHL2}$	High-to-low propagation delay time, LE to $\overline{OUTn}$	40	65	100	ns
$t_{PHL3}$	High-to-low propagation delay time, $\overline{OE}$ to $\overline{OUTn}$	40	65	100	ns
$t_{PHL4}$	High-to-low propagation delay time, CLK to SDO		30	40	ns
$t_{w(CLK)}$	Pulse duration, CLK	15			ns
$t_{w(L)}$	Pulse duration, LE	15			ns
$t_{w(OE)}$	Pulse duration, $\overline{OE}$	300			ns
$t_{h(D)}$	Hold time, SDI	2			ns
$t_{su(D)}$	Setup time, SDI	3			ns
$t_{h(L)}$	Hold time, LE	5			ns
$t_{su(L)}$	Setup time, LE	5			ns
$t_r$	Rise time, CLK <sup>(1)</sup>			500	ns
$t_f$	Fall time, CLK <sup>(1)</sup>			500	ns
$t_{or}$	Rise time, outputs (off)	35	50	70	ns
$t_{of}$	Rise time, outputs (on)	15	50	120	ns
$f_{CLK}$	Clock frequency			30	MHz

$V_{IH} = V_{DD}$ ,  $V_{IL} = \text{GND}$ ,  
 $R_{ext} = 840\ \Omega$ ,  $V_L = 4\text{ V}$ ,  
 $R_L = 88\ \Omega$ ,  $C_L = 10\text{ pF}$

- (1) If the devices are connected in cascade and  $t_r$  or  $t_f$  is large, it may be critical to achieve the timing required for data transfer between two cascaded devices.

## 6.10 Switching Characteristics: $V_{DD} = 5.5\text{ V}$

 $V_{DD} = 5.5\text{ V}$ ,  $T_J = -40^\circ\text{C}$  to  $125^\circ\text{C}$  (unless otherwise noted)

PARAMETER		TEST CONDITIONS	MIN	TYP	MAX	UNIT
$t_{PLH1}$	Low-to-high propagation delay time, CLK to $\overline{\text{OUTn}}$	$V_{IH} = V_{DD}$ , $V_{IL} = \text{GND}$ , $R_{\text{ext}} = 840\ \Omega$ , $V_L = 4\text{ V}$ , $R_L = 88\ \Omega$ , $C_L = 10\text{ pF}$	20	35	55	ns
$t_{PLH2}$	Low-to-high propagation delay time, LE to $\overline{\text{OUTn}}$		20	35	55	ns
$t_{PLH3}$	Low-to-high propagation delay time, $\overline{\text{OE}}$ to $\overline{\text{OUTn}}$		20	35	55	ns
$t_{PLH4}$	Low-to-high propagation delay time, CLK to SDO			20	30	ns
$t_{PHL1}$	High-to-low propagation delay time, CLK to $\overline{\text{OUTn}}$		15	28	42	ns
$t_{PHL2}$	High-to-low propagation delay time, LE to $\overline{\text{OUTn}}$		15	28	42	ns
$t_{PHL3}$	High-to-low propagation delay time, $\overline{\text{OE}}$ to $\overline{\text{OUTn}}$		15	28	42	ns
$t_{PHL4}$	High-to-low propagation delay time, CLK to SDO			20	30	ns
$t_{w(\text{CLK})}$	Pulse duration, CLK		10			ns
$t_{w(\text{L})}$	Pulse duration LE		10			ns
$t_{w(\text{OE})}$	Pulse duration, $\overline{\text{OE}}$		200			ns
$t_{h(\text{D})}$	Hold time, SDI		2			ns
$t_{\text{su}(\text{D})}$	Setup time, SDI		3			ns
$t_{h(\text{L})}$	Hold time, LE		5			ns
$t_{\text{su}(\text{L})}$	Setup time, LE		5			ns
$t_r$	Rise time, CLK <sup>(1)</sup>				500	ns
$t_f$	Fall time, CLK <sup>(1)</sup>				500	ns
$t_{\text{or}}$	Rise time, outputs (off)		25	45	65	ns
$t_{\text{of}}$	Rise time, outputs (on)		7	12	20	ns
$f_{\text{CLK}}$	Clock frequency		Cascade operation			30

(1) If the devices are connected in cascade and  $t_r$  or  $t_f$  is large, it may be critical to achieve the timing required for data transfer between two cascaded devices.



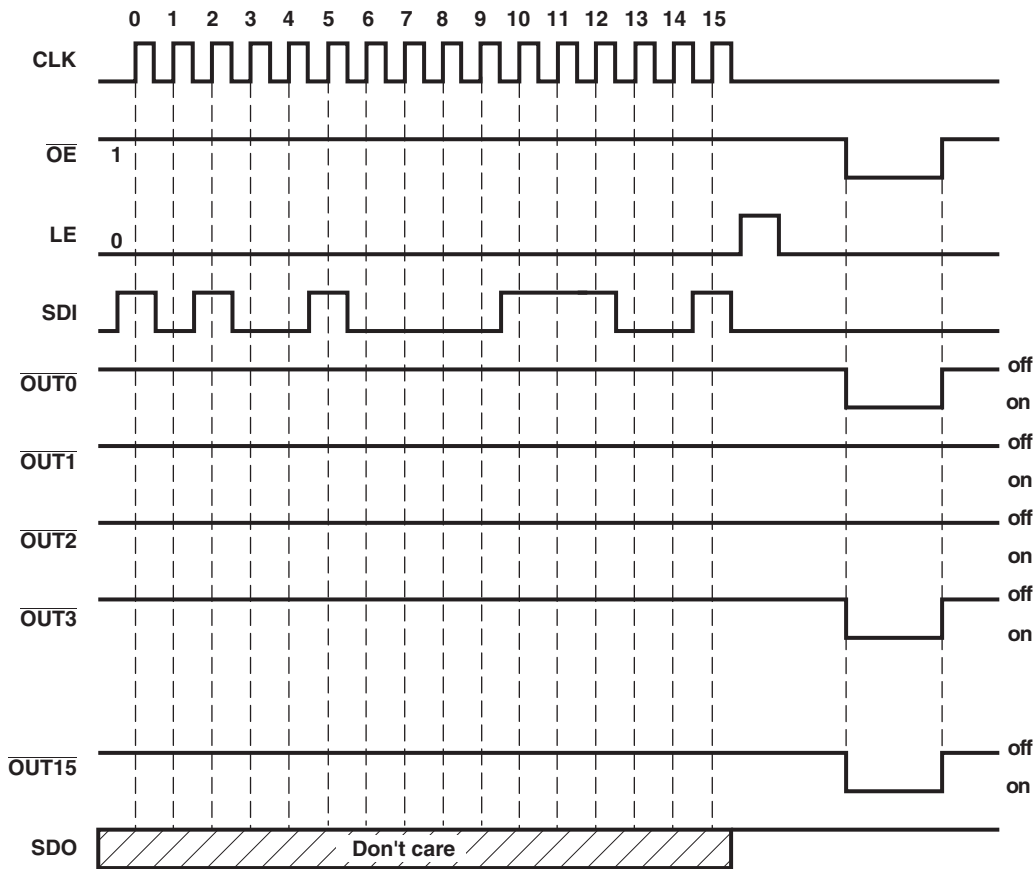


Figure 1. Timing Diagram

### 6.11 Typical Characteristics

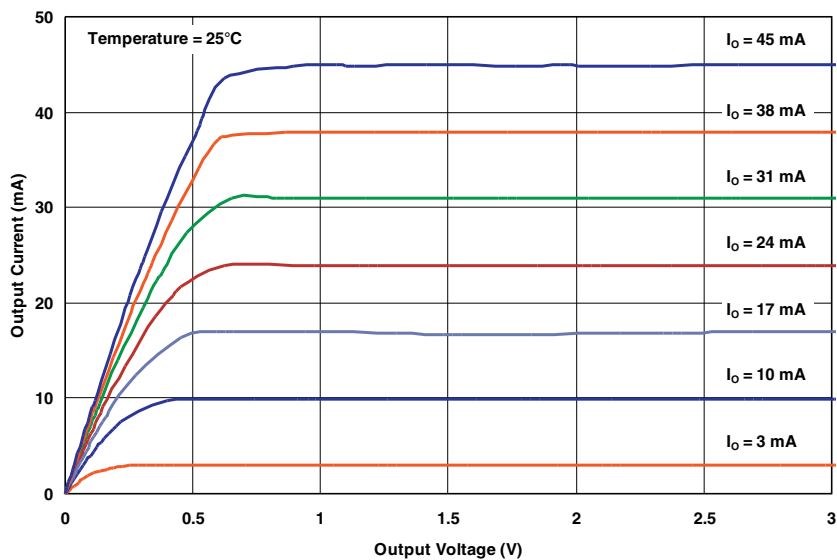
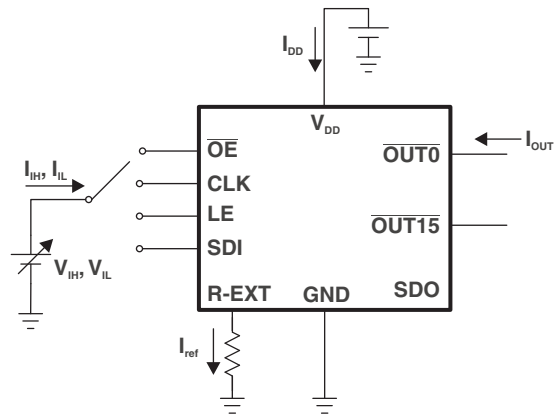
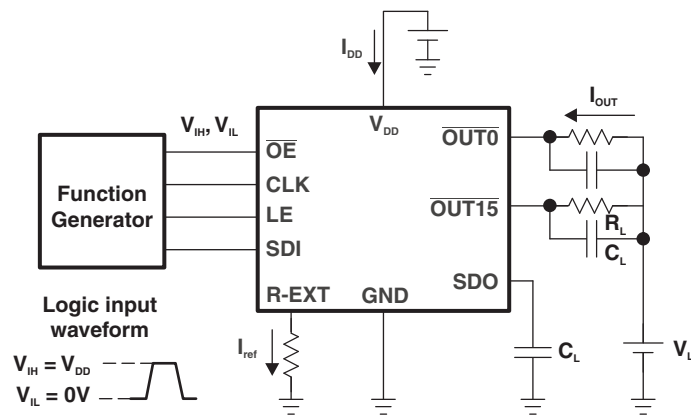


Figure 2. Output Current vs Output Voltage

## 7 Parameter Measurement Information



**Figure 3. Test Circuit for Electrical Characteristics**



**Figure 4. Test Circuit for Switching Characteristics**

Parameter Measurement Information (continued)

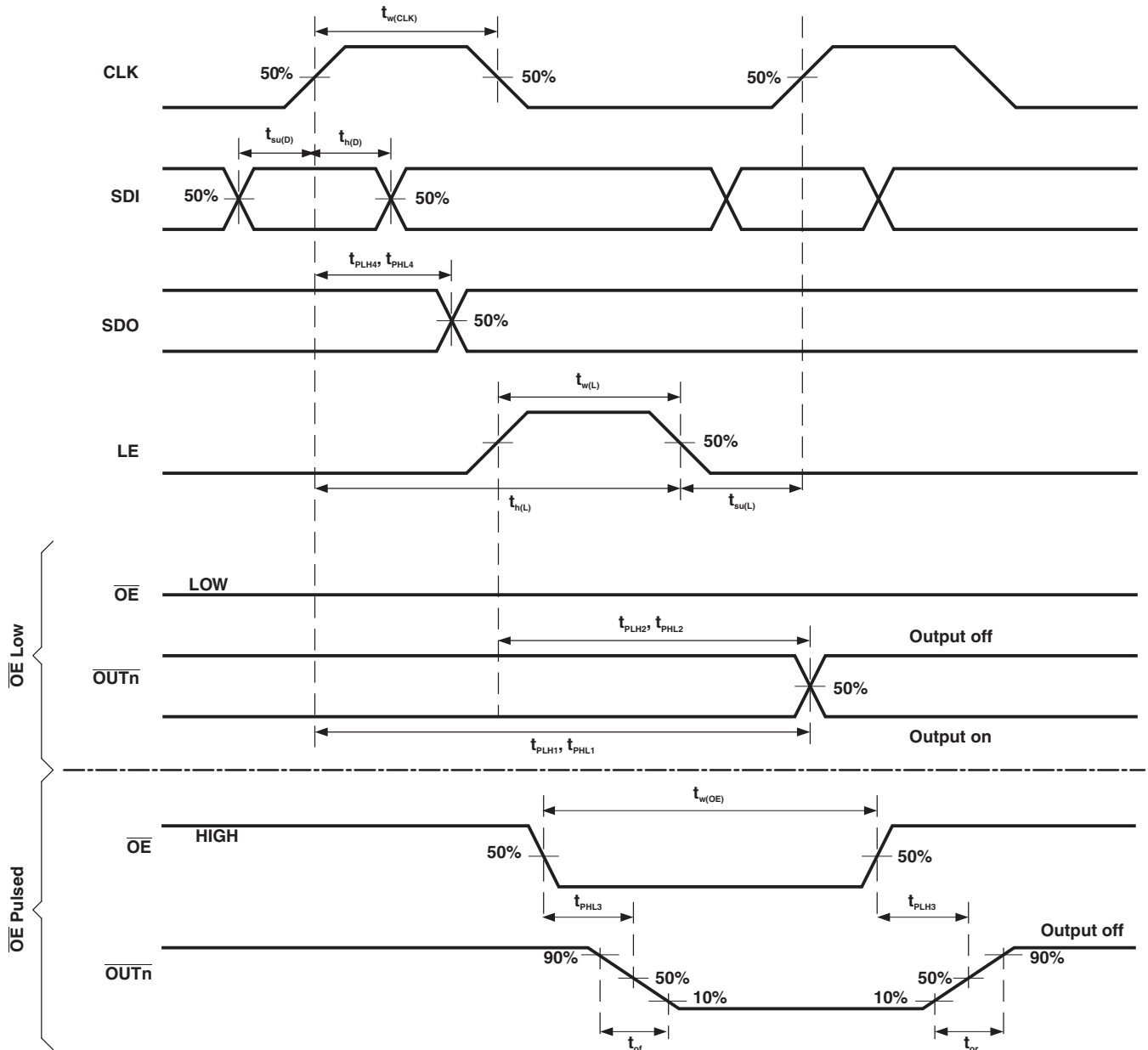


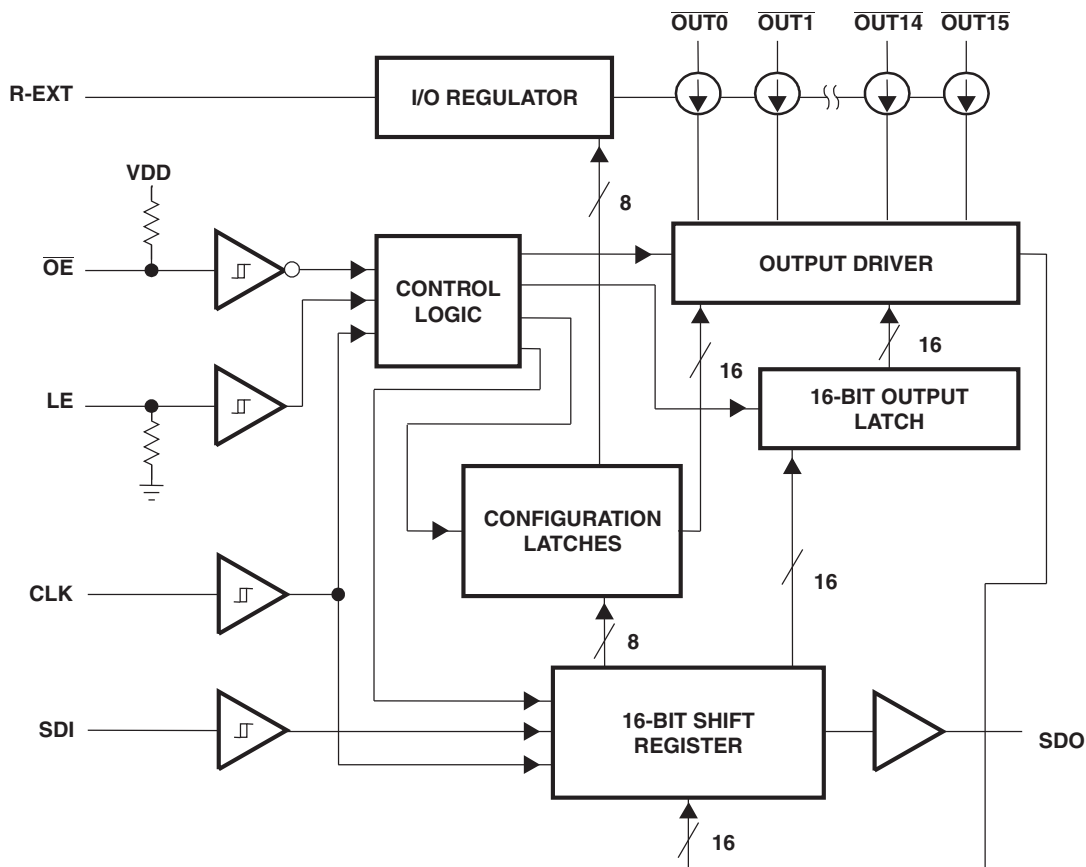
Figure 5. Normal Mode Timing Waveforms

## 8 Detailed Description

### 8.1 Overview

The TLC5925 is a 16-channel LED driver designed for LED displays and LED lighting applications. The TLC5925 contains a 16-bit shift register and data latches, which convert serial input data into parallel output format. At the TLC5925 output stage, 16 regulated-current ports provide uniform and constant current for driving LEDs within a wide range of  $V_F$  variations. Used in system design for LED display applications (for example, LED panels), the TLC5925 provides great flexibility and device performance. Users can adjust the output current from 3 mA to 45 mA through an external resistor, REXT, which gives flexibility in controlling the light intensity of LEDs. TLC59025 is designed for up to 17 V at the output port. The high clock frequency, 30 MHz, also satisfies the system requirements of high-volume data transmission.

### 8.2 Functional Block Diagram



### 8.3 Feature Description

#### 8.3.1 Constant Current

In LED display applications, TLC5925 provides nearly no current variations from channel to channel and from IC to IC. While  $I_{OUT} \leq 45$  mA, the maximum current skew between channels is less than  $\pm 5\%$  and between ICs is less than  $\pm 6\%$ .

## 8.4 Device Functional Modes

The table below lists the functional modes for the TLC5925.

**Table 1. Truth Table in Normal Operation**

CLK	LE	$\overline{OE}$	SDI	$\overline{OUT0}... \overline{OUT15}... \overline{OUT15}$	SDO
↑	H	L	Dn	Dn...Dn – 7...Dn – 15	Dn – 15
↑	L	L	Dn + 1	No change	Dn – 14
↑	H	L	Dn + 2	Dn + 2...Dn – 5...Dn – 13	Dn – 13
↓	X	L	Dn + 3	Dn + 2...Dn – 5...Dn – 13	Dn – 13
↓	X	H	Dn + 3	off	Dn – 13

## 9 Application and Implementation

### NOTE

Information in the following applications sections is not part of the TI component specification, and TI does not warrant its accuracy or completeness. TI's customers are responsible for determining suitability of components for their purposes. Customers should validate and test their design implementation to confirm system functionality.

### 9.1 Application Information

#### 9.1.1 Turning on the LEDs

To turn on an LED connected to one of the outputs of the device, the output must be pulled low. To do this, the SDI signal must let the device know which outputs should be activated. Using the rising edge of CLK, the logic level of the SDI signal latches the desired state of each output into the shift register. Once this is complete, the LE signal must be toggled from low to high then back to low. Once /OE is pulled down, the corresponding outputs will be pulled low and the LEDs will be turned on. The below diagram shows outputs 0, 3, 4, 5, 10, 13, and 15 being activated.

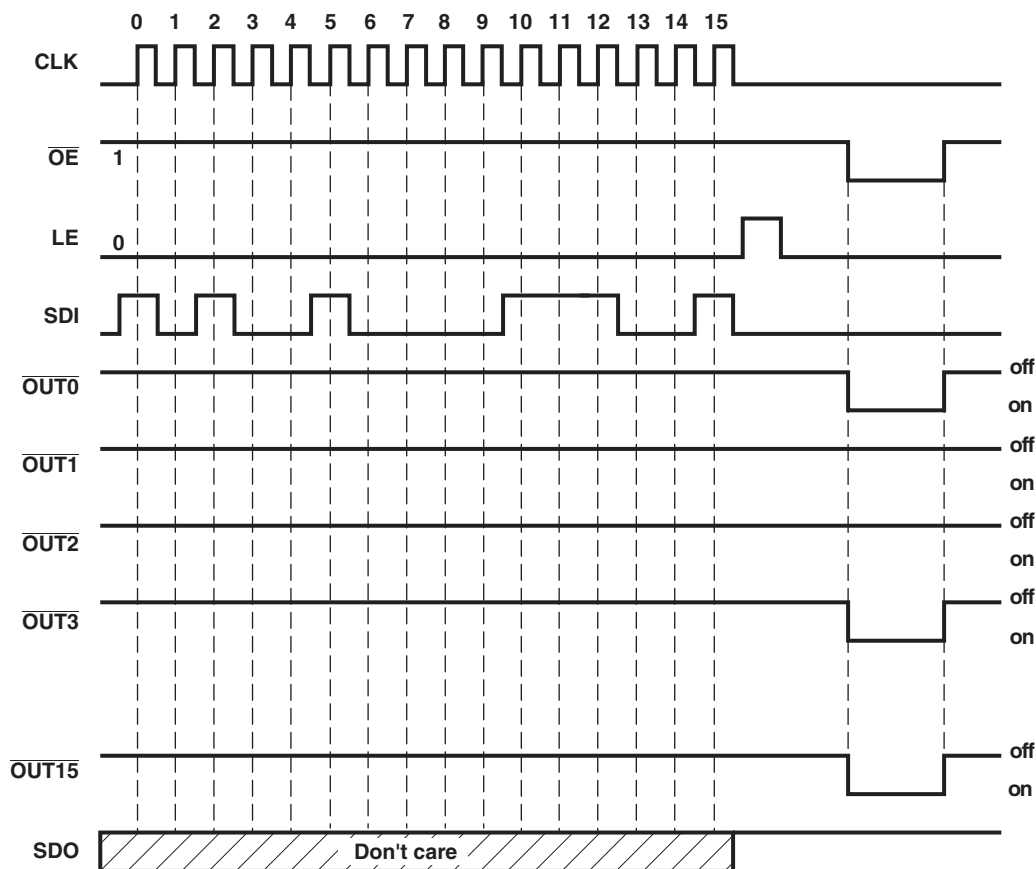


Figure 6. Timing Diagram

## Application Information (continued)

### 9.1.2 Propagation Delay Times

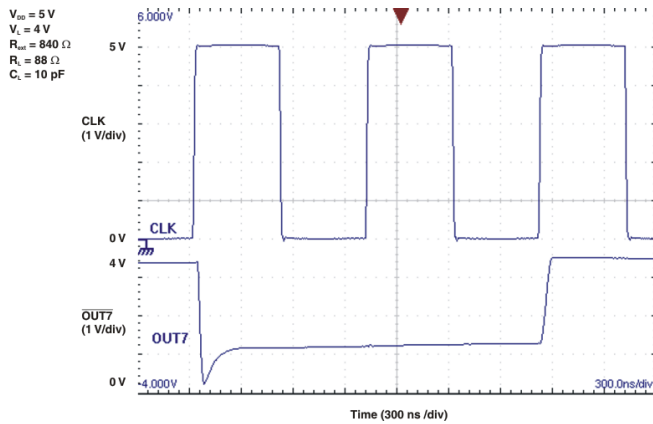


Figure 7. CLK to  $\overline{\text{OUT7}}$

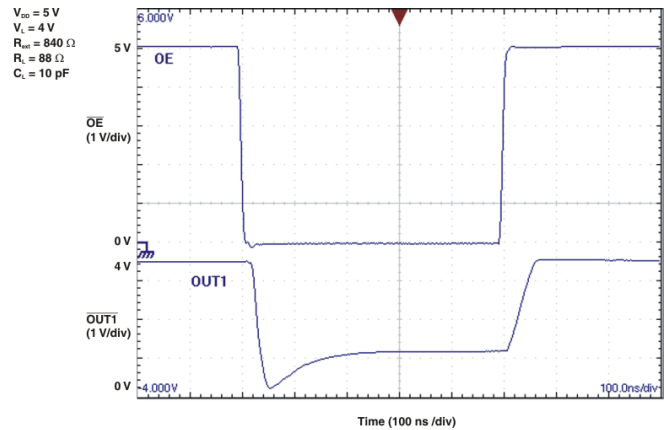


Figure 8.  $\overline{\text{OE}}$  to  $\overline{\text{OUT1}}$

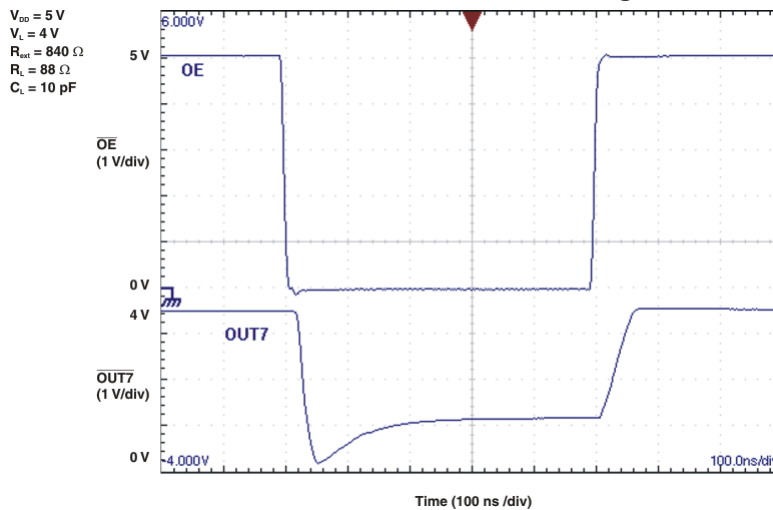
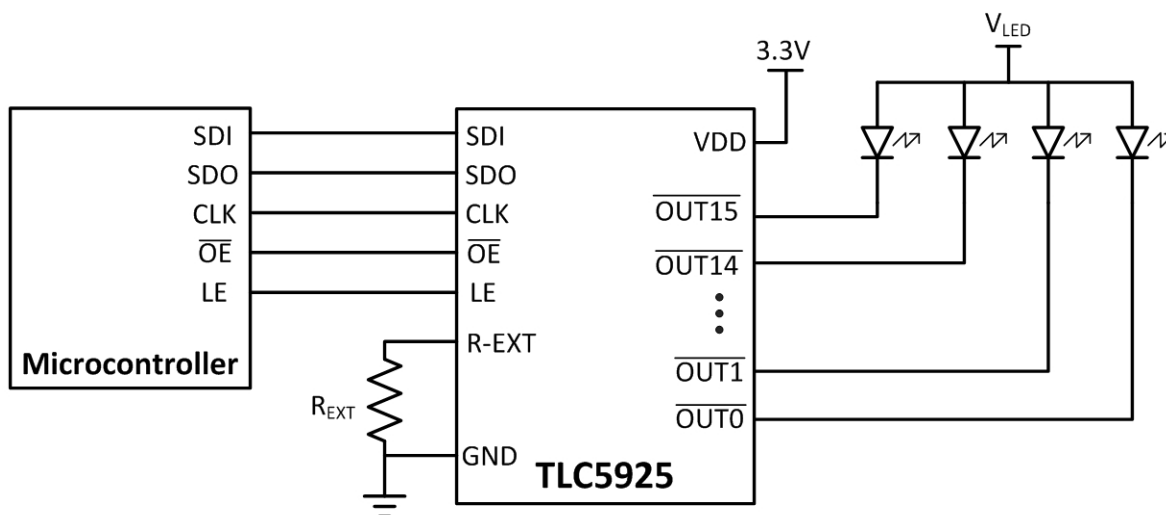


Figure 9.  $\overline{\text{OE}}$  to  $\overline{\text{OUT7}}$

## 9.2 Typical Application



## Typical Application (continued)

### 9.2.1 Design Requirements

For the following design procedure, the input voltage (VDD) is between 3 V and 5.5 V.

### 9.2.2 Detailed Design Procedure

#### 9.2.2.1 Adjusting Output Current

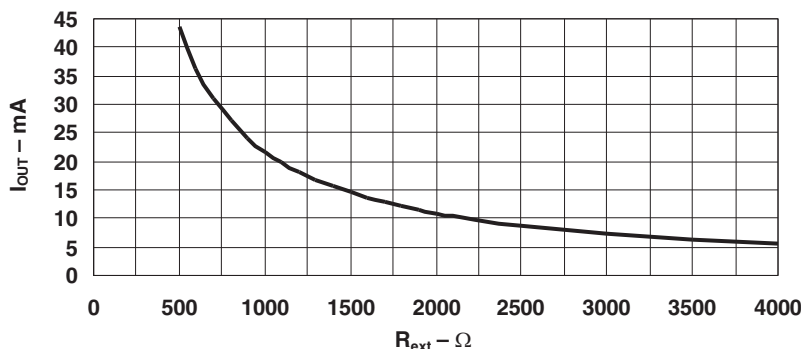
TLC5925 sets  $I_{OUT}$  based on the external resistor  $R_{ext}$ . Users can follow the below formulas to calculate the target output current  $I_{OUT,target}$  in the saturation region:

$I_{OUT,target} = (1.21 \text{ V} / R_{ext}) \times 18$ , where  $R_{ext}$  is the external resistance connected between R-EXT and GND.

Therefore, the default current is approximately 26 mA at 840  $\Omega$  and 13 mA at 1680  $\Omega$ .

### 9.2.3 Application Curve

The default relationship after power on between  $I_{OUT,target}$  and  $R_{ext}$  is shown in [Figure 10](#).



**Figure 10. Default Relationship Curve Between  $I_{OUT,target}$  and  $R_{ext}$  After Power Up**

## 10 Power Supply Recommendations

The TLC5925 is designed to operate with a VDD range between 3 V and 5.5 V.

## 11 Layout

### 11.1 Layout Guidelines

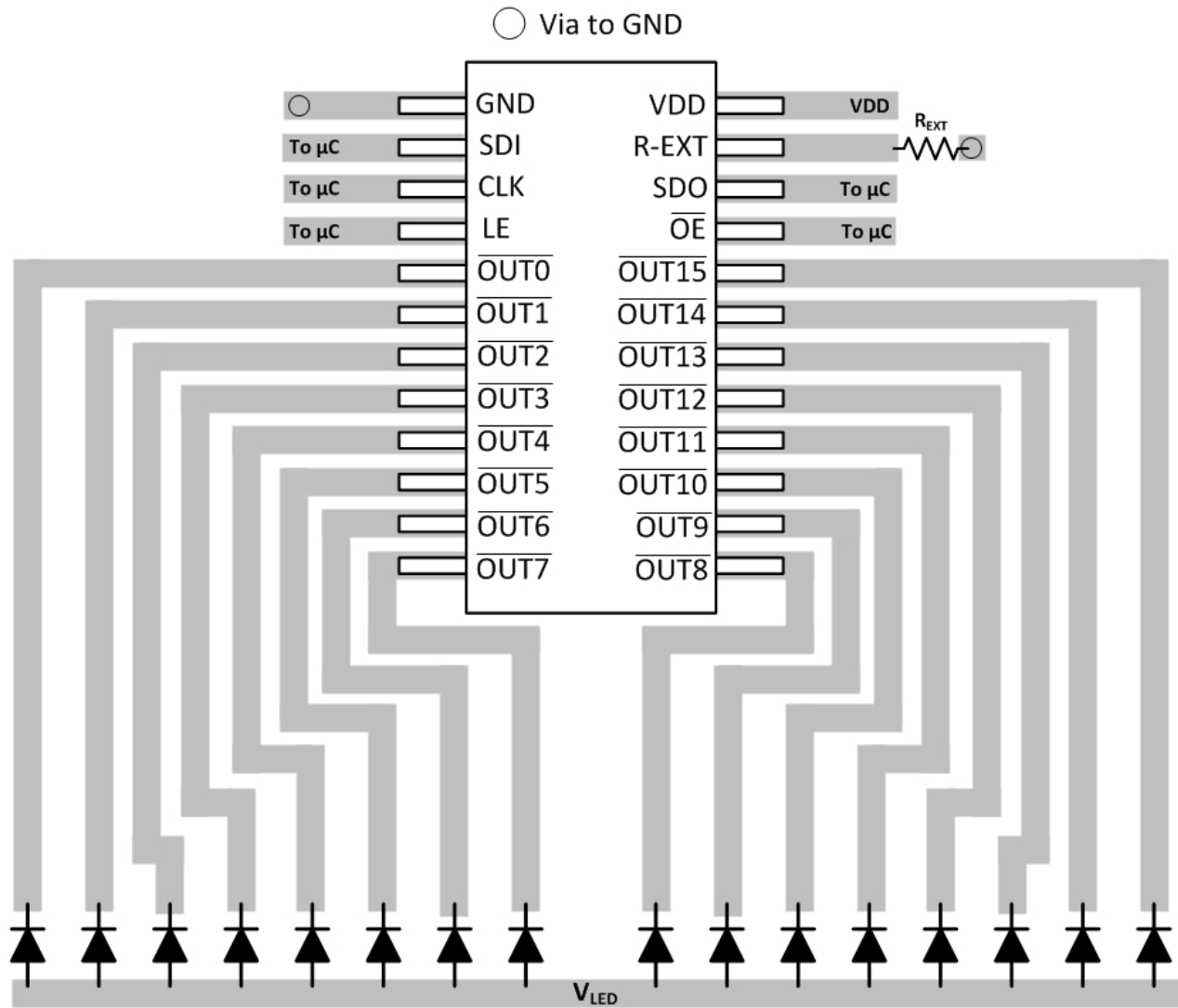
The SDI, CLK, SDO, LE, and OE signals should all be kept from potential noise sources.

All traces carrying power through the LEDs should be wide enough to handle necessary currents.

All LED current passes through the device and into the ground node. There must be a strong connection between the device ground and the circuit board ground.



## 11.2 Layout Example



## 12 Device and Documentation Support

### 12.1 Community Resources

The following links connect to TI community resources. Linked contents are provided "AS IS" by the respective contributors. They do not constitute TI specifications and do not necessarily reflect TI's views; see TI's [Terms of Use](#).

**TI E2E™ Online Community** *TI's Engineer-to-Engineer (E2E) Community*. Created to foster collaboration among engineers. At [e2e.ti.com](http://e2e.ti.com), you can ask questions, share knowledge, explore ideas and help solve problems with fellow engineers.

**Design Support** *TI's Design Support* Quickly find helpful E2E forums along with design support tools and contact information for technical support.

### 12.2 Trademarks

E2E is a trademark of Texas Instruments.  
All other trademarks are the property of their respective owners.

### 12.3 Electrostatic Discharge Caution



These devices have limited built-in ESD protection. The leads should be shorted together or the device placed in conductive foam during storage or handling to prevent electrostatic damage to the MOS gates.

### 12.4 Glossary

[SLYZ022](#) — *TI Glossary*.

This glossary lists and explains terms, acronyms, and definitions.

## 13 Mechanical, Packaging, and Orderable Information

The following pages include mechanical, packaging, and orderable information. This information is the most current data available for the designated devices. This data is subject to change without notice and revision of this document. For browser-based versions of this data sheet, refer to the left-hand navigation.

**PACKAGING INFORMATION**

Orderable Device	Status (1)	Package Type	Package Drawing	Pins	Package Qty	Eco Plan (2)	Lead/Ball Finish (6)	MSL Peak Temp (3)	Op Temp (°C)	Device Marking (4/5)	Samples
TLC5925IDBQR	ACTIVE	SSOP	DBQ	24	2500	Green (RoHS & no Sb/Br)	CU NIPDAU	Level-2-260C-1 YEAR	-40 to 125	TLC5925I	<a href="#">Samples</a>
TLC5925IDWR	ACTIVE	SOIC	DW	24	2000	Green (RoHS & no Sb/Br)	CU NIPDAU	Level-1-260C-UNLIM	-40 to 125	TLC5925I	<a href="#">Samples</a>
TLC5925IDWRG4	ACTIVE	SOIC	DW	24	2000	Green (RoHS & no Sb/Br)	CU NIPDAU	Level-1-260C-UNLIM	-40 to 125	TLC5925I	<a href="#">Samples</a>
TLC5925IPWR	ACTIVE	TSSOP	PW	24	2000	Green (RoHS & no Sb/Br)	CU NIPDAU	Level-1-260C-UNLIM	-40 to 125	Y5925	<a href="#">Samples</a>
TLC5925IPWRG4	ACTIVE	TSSOP	PW	24	2000	Green (RoHS & no Sb/Br)	CU NIPDAU	Level-1-260C-UNLIM	-40 to 125	Y5925	<a href="#">Samples</a>

(1) The marketing status values are defined as follows:

**ACTIVE:** Product device recommended for new designs.

**LIFEBUY:** TI has announced that the device will be discontinued, and a lifetime-buy period is in effect.

**NRND:** Not recommended for new designs. Device is in production to support existing customers, but TI does not recommend using this part in a new design.

**PREVIEW:** Device has been announced but is not in production. Samples may or may not be available.

**OBSOLETE:** TI has discontinued the production of the device.

(2) Eco Plan - The planned eco-friendly classification: Pb-Free (RoHS), Pb-Free (RoHS Exempt), or Green (RoHS & no Sb/Br) - please check <http://www.ti.com/productcontent> for the latest availability information and additional product content details.

**TBD:** The Pb-Free/Green conversion plan has not been defined.

**Pb-Free (RoHS):** TI's terms "Lead-Free" or "Pb-Free" mean semiconductor products that are compatible with the current RoHS requirements for all 6 substances, including the requirement that lead not exceed 0.1% by weight in homogeneous materials. Where designed to be soldered at high temperatures, TI Pb-Free products are suitable for use in specified lead-free processes.

**Pb-Free (RoHS Exempt):** This component has a RoHS exemption for either 1) lead-based flip-chip solder bumps used between the die and package, or 2) lead-based die adhesive used between the die and leadframe. The component is otherwise considered Pb-Free (RoHS compatible) as defined above.

**Green (RoHS & no Sb/Br):** TI defines "Green" to mean Pb-Free (RoHS compatible), and free of Bromine (Br) and Antimony (Sb) based flame retardants (Br or Sb do not exceed 0.1% by weight in homogeneous material)

(3) MSL, Peak Temp. - The Moisture Sensitivity Level rating according to the JEDEC industry standard classifications, and peak solder temperature.

(4) There may be additional marking, which relates to the logo, the lot trace code information, or the environmental category on the device.

(5) Multiple Device Markings will be inside parentheses. Only one Device Marking contained in parentheses and separated by a "~" will appear on a device. If a line is indented then it is a continuation of the previous line and the two combined represent the entire Device Marking for that device.

<sup>(6)</sup> Lead/Ball Finish - Orderable Devices may have multiple material finish options. Finish options are separated by a vertical ruled line. Lead/Ball Finish values may wrap to two lines if the finish value exceeds the maximum column width.

**Important Information and Disclaimer:**The information provided on this page represents TI's knowledge and belief as of the date that it is provided. TI bases its knowledge and belief on information provided by third parties, and makes no representation or warranty as to the accuracy of such information. Efforts are underway to better integrate information from third parties. TI has taken and continues to take reasonable steps to provide representative and accurate information but may not have conducted destructive testing or chemical analysis on incoming materials and chemicals. TI and TI suppliers consider certain information to be proprietary, and thus CAS numbers and other limited information may not be available for release.

In no event shall TI's liability arising out of such information exceed the total purchase price of the TI part(s) at issue in this document sold by TI to Customer on an annual basis.

**TAPE AND REEL INFORMATION**

**QUADRANT ASSIGNMENTS FOR PIN 1 ORIENTATION IN TAPE**


\*All dimensions are nominal

Device	Package Type	Package Drawing	Pins	SPQ	Reel Diameter (mm)	Reel Width W1 (mm)	A0 (mm)	B0 (mm)	K0 (mm)	P1 (mm)	W (mm)	Pin1 Quadrant
TLC5925IDBQR	SSOP	DBQ	24	2500	330.0	16.4	6.5	9.0	2.1	8.0	16.0	Q1
TLC5925IDWR	SOIC	DW	24	2000	330.0	24.4	10.75	15.7	2.7	12.0	24.0	Q1
TLC5925IPWR	TSSOP	PW	24	2000	330.0	16.4	6.95	8.3	1.6	8.0	16.0	Q1

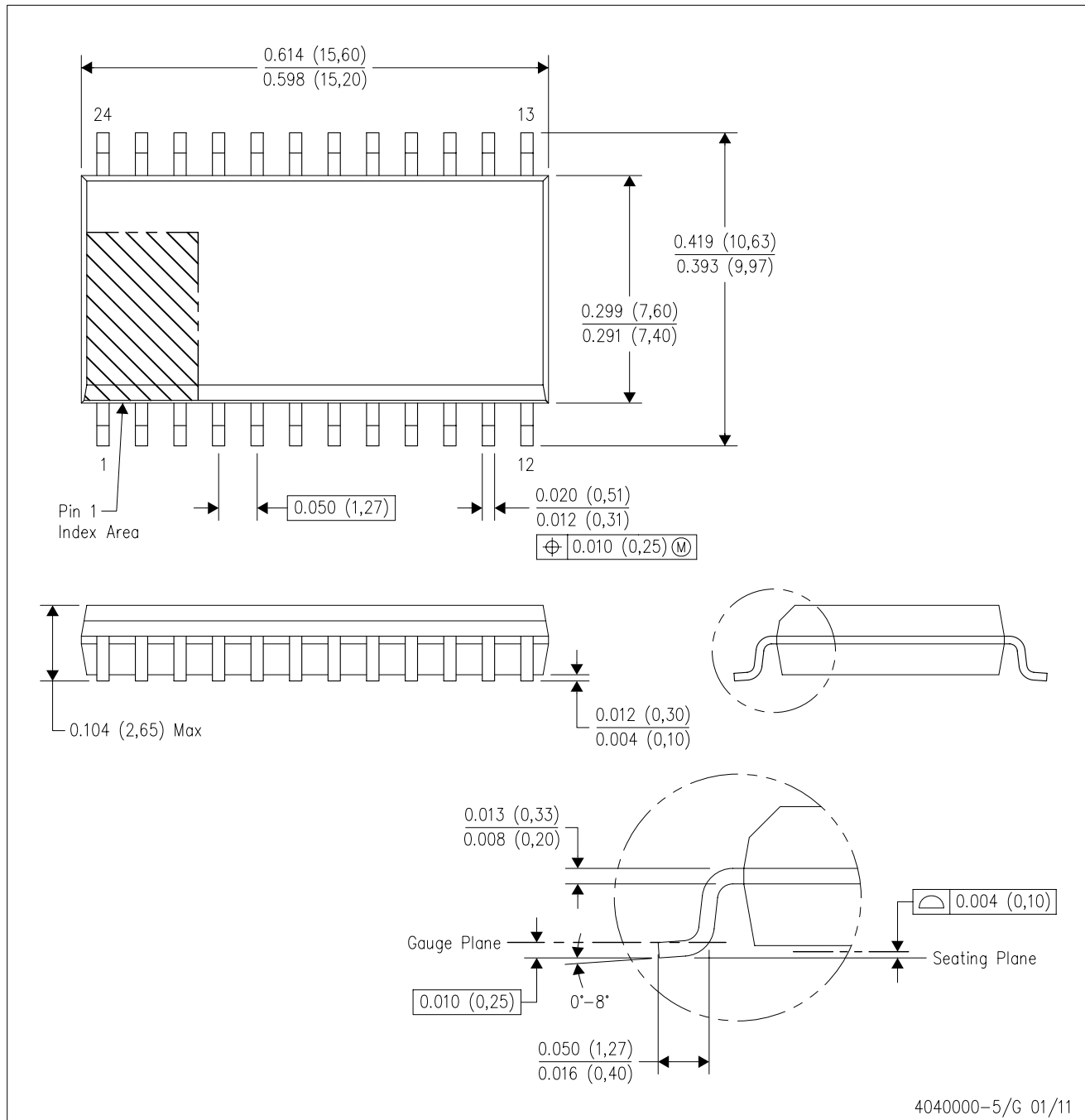
**TAPE AND REEL BOX DIMENSIONS**


\*All dimensions are nominal

Device	Package Type	Package Drawing	Pins	SPQ	Length (mm)	Width (mm)	Height (mm)
TLC5925IDBQR	SSOP	DBQ	24	2500	367.0	367.0	38.0
TLC5925IDWR	SOIC	DW	24	2000	367.0	367.0	45.0
TLC5925IPWR	TSSOP	PW	24	2000	367.0	367.0	38.0

DW (R-PDSO-G24)

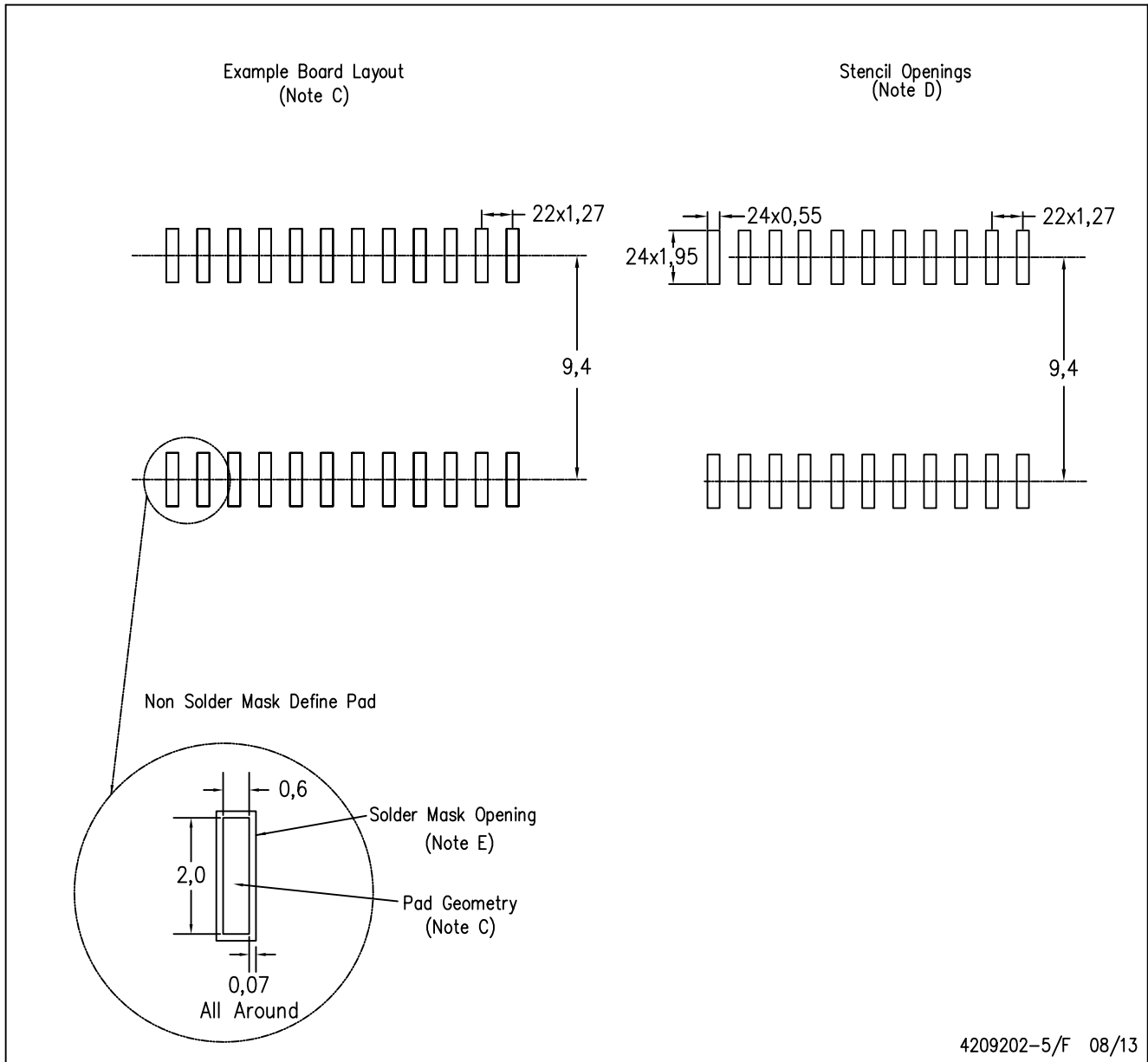
PLASTIC SMALL OUTLINE



- NOTES:
- A. All linear dimensions are in inches (millimeters). Dimensioning and tolerancing per ASME Y14.5M-1994.
  - B. This drawing is subject to change without notice.
  - C. Body dimensions do not include mold flash or protrusion not to exceed 0.006 (0,15).
  - D. Falls within JEDEC MS-013 variation AD.

DW (R-PDSO-G24)

PLASTIC SMALL OUTLINE



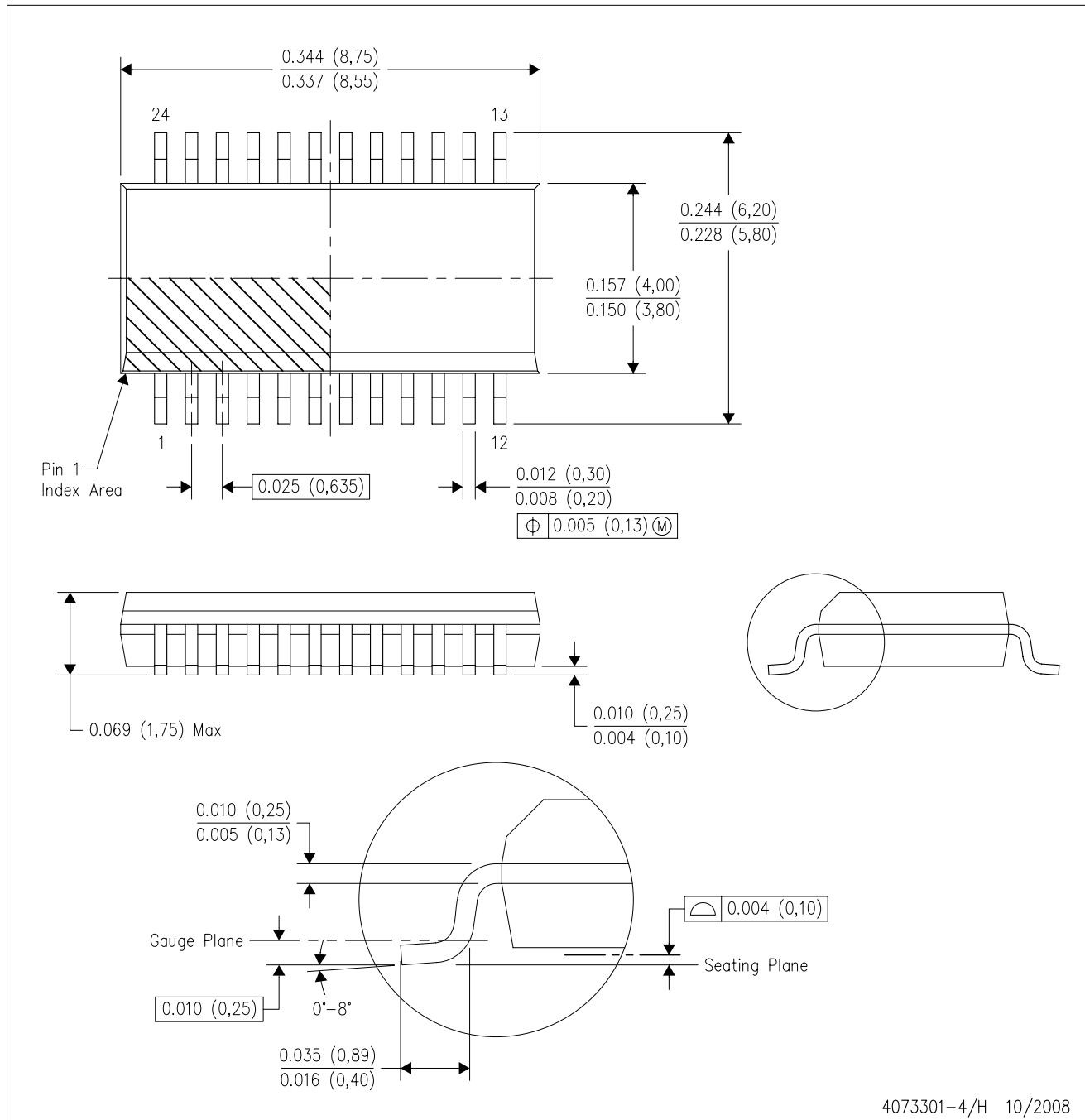
4209202-5/F 08/13

- NOTES:
- A. All linear dimensions are in millimeters.
  - B. This drawing is subject to change without notice.
  - C. Refer to IPC7351 for alternate board design.
  - D. Laser cutting apertures with trapezoidal walls and also rounding corners will offer better paste release. Customers should contact their board assembly site for stencil design recommendations. Refer to IPC-7525
  - E. Customers should contact their board fabrication site for solder mask tolerances between and around signal pads.



DBQ (R-PDSO-G24)

PLASTIC SMALL-OUTLINE PACKAGE



- NOTES:
- A. All linear dimensions are in inches (millimeters).
  - B. This drawing is subject to change without notice.
  - C. Body dimensions do not include mold flash or protrusion not to exceed 0.006 (0,15) per side.
  - D. Falls within JEDEC MO-137 variation AE.

PW (R-PDSO-G24)

PLASTIC SMALL OUTLINE

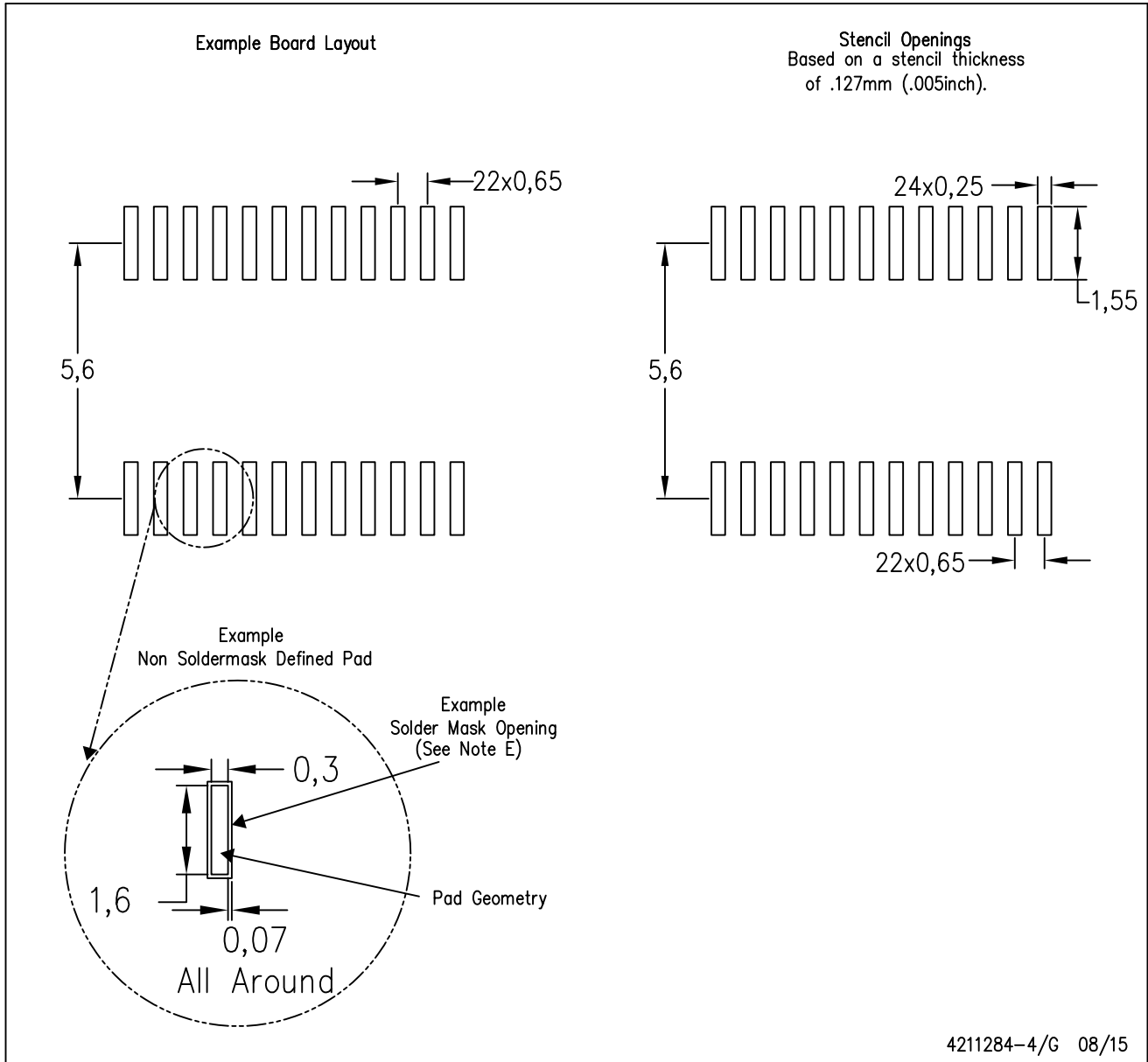


4040064-6/G 02/11

- NOTES:
- A. All linear dimensions are in millimeters. Dimensioning and tolerancing per ASME Y14.5M-1994.
  - B. This drawing is subject to change without notice.
  -  Body length does not include mold flash, protrusions, or gate burrs. Mold flash, protrusions, or gate burrs shall not exceed 0,15 each side.
  -  Body width does not include interlead flash. Interlead flash shall not exceed 0,25 each side.
  - E. Falls within JEDEC MO-153

PW (R-PDSO-G24)

PLASTIC SMALL OUTLINE



4211284-4/G 08/15

- NOTES:
- A. All linear dimensions are in millimeters.
  - B. This drawing is subject to change without notice.
  - C. Publication IPC-7351 is recommended for alternate design.
  - D. Laser cutting apertures with trapezoidal walls and also rounding corners will offer better paste release. Customers should contact their board assembly site for stencil design recommendations. Refer to IPC-7525 for other stencil recommendations.
  - E. Customers should contact their board fabrication site for solder mask tolerances between and around signal pads.

## IMPORTANT NOTICE

Texas Instruments Incorporated and its subsidiaries (TI) reserve the right to make corrections, enhancements, improvements and other changes to its semiconductor products and services per JESD46, latest issue, and to discontinue any product or service per JESD48, latest issue. Buyers should obtain the latest relevant information before placing orders and should verify that such information is current and complete. All semiconductor products (also referred to herein as "components") are sold subject to TI's terms and conditions of sale supplied at the time of order acknowledgment.

TI warrants performance of its components to the specifications applicable at the time of sale, in accordance with the warranty in TI's terms and conditions of sale of semiconductor products. Testing and other quality control techniques are used to the extent TI deems necessary to support this warranty. Except where mandated by applicable law, testing of all parameters of each component is not necessarily performed.

TI assumes no liability for applications assistance or the design of Buyers' products. Buyers are responsible for their products and applications using TI components. To minimize the risks associated with Buyers' products and applications, Buyers should provide adequate design and operating safeguards.

TI does not warrant or represent that any license, either express or implied, is granted under any patent right, copyright, mask work right, or other intellectual property right relating to any combination, machine, or process in which TI components or services are used. Information published by TI regarding third-party products or services does not constitute a license to use such products or services or a warranty or endorsement thereof. Use of such information may require a license from a third party under the patents or other intellectual property of the third party, or a license from TI under the patents or other intellectual property of TI.

Reproduction of significant portions of TI information in TI data books or data sheets is permissible only if reproduction is without alteration and is accompanied by all associated warranties, conditions, limitations, and notices. TI is not responsible or liable for such altered documentation. Information of third parties may be subject to additional restrictions.

Resale of TI components or services with statements different from or beyond the parameters stated by TI for that component or service voids all express and any implied warranties for the associated TI component or service and is an unfair and deceptive business practice. TI is not responsible or liable for any such statements.

Buyer acknowledges and agrees that it is solely responsible for compliance with all legal, regulatory and safety-related requirements concerning its products, and any use of TI components in its applications, notwithstanding any applications-related information or support that may be provided by TI. Buyer represents and agrees that it has all the necessary expertise to create and implement safeguards which anticipate dangerous consequences of failures, monitor failures and their consequences, lessen the likelihood of failures that might cause harm and take appropriate remedial actions. Buyer will fully indemnify TI and its representatives against any damages arising out of the use of any TI components in safety-critical applications.

In some cases, TI components may be promoted specifically to facilitate safety-related applications. With such components, TI's goal is to help enable customers to design and create their own end-product solutions that meet applicable functional safety standards and requirements. Nonetheless, such components are subject to these terms.

No TI components are authorized for use in FDA Class III (or similar life-critical medical equipment) unless authorized officers of the parties have executed a special agreement specifically governing such use.

Only those TI components which TI has specifically designated as military grade or "enhanced plastic" are designed and intended for use in military/aerospace applications or environments. Buyer acknowledges and agrees that any military or aerospace use of TI components which have **not** been so designated is solely at the Buyer's risk, and that Buyer is solely responsible for compliance with all legal and regulatory requirements in connection with such use.

TI has specifically designated certain components as meeting ISO/TS16949 requirements, mainly for automotive use. In any case of use of non-designated products, TI will not be responsible for any failure to meet ISO/TS16949.

### Products

Audio	<a href="http://www.ti.com/audio">www.ti.com/audio</a>
Amplifiers	<a href="http://amplifier.ti.com">amplifier.ti.com</a>
Data Converters	<a href="http://dataconverter.ti.com">dataconverter.ti.com</a>
DLP® Products	<a href="http://www.dlp.com">www.dlp.com</a>
DSP	<a href="http://dsp.ti.com">dsp.ti.com</a>
Clocks and Timers	<a href="http://www.ti.com/clocks">www.ti.com/clocks</a>
Interface	<a href="http://interface.ti.com">interface.ti.com</a>
Logic	<a href="http://logic.ti.com">logic.ti.com</a>
Power Mgmt	<a href="http://power.ti.com">power.ti.com</a>
Microcontrollers	<a href="http://microcontroller.ti.com">microcontroller.ti.com</a>
RFID	<a href="http://www.ti-rfid.com">www.ti-rfid.com</a>
OMAP Applications Processors	<a href="http://www.ti.com/omap">www.ti.com/omap</a>
Wireless Connectivity	<a href="http://www.ti.com/wirelessconnectivity">www.ti.com/wirelessconnectivity</a>

### Applications

Automotive and Transportation	<a href="http://www.ti.com/automotive">www.ti.com/automotive</a>
Communications and Telecom	<a href="http://www.ti.com/communications">www.ti.com/communications</a>
Computers and Peripherals	<a href="http://www.ti.com/computers">www.ti.com/computers</a>
Consumer Electronics	<a href="http://www.ti.com/consumer-apps">www.ti.com/consumer-apps</a>
Energy and Lighting	<a href="http://www.ti.com/energy">www.ti.com/energy</a>
Industrial	<a href="http://www.ti.com/industrial">www.ti.com/industrial</a>
Medical	<a href="http://www.ti.com/medical">www.ti.com/medical</a>
Security	<a href="http://www.ti.com/security">www.ti.com/security</a>
Space, Avionics and Defense	<a href="http://www.ti.com/space-avionics-defense">www.ti.com/space-avionics-defense</a>
Video and Imaging	<a href="http://www.ti.com/video">www.ti.com/video</a>

### TI E2E Community

[e2e.ti.com](http://e2e.ti.com)