



1.6-A, 1.25-MHz BUCK CONVERTER IN A 3 mm × 3 mm SON PACKAGE

FEATURES

- Input Voltage Range 4.5 V_{DC} to 8 V_{DC}
- Output Voltage (0.8 V to 90% V_{IN})
- 0 A to 1.6 A Current Capability
- Fixed 1.25-MHz Switching Frequency
- Reference 0.8 V ±1%
- Internal 250 mΩ N-Channel MOSFET Switch
- Current Mode Control with Internal Slope Compensation
- Internal Soft-Start
- Internal Loop Compensation
- Short Circuit Protection
- Thermal Shutdown
- High Efficiency Up to 92%
- Small 3 mm × 3 mm SON Package

APPLICATIONS

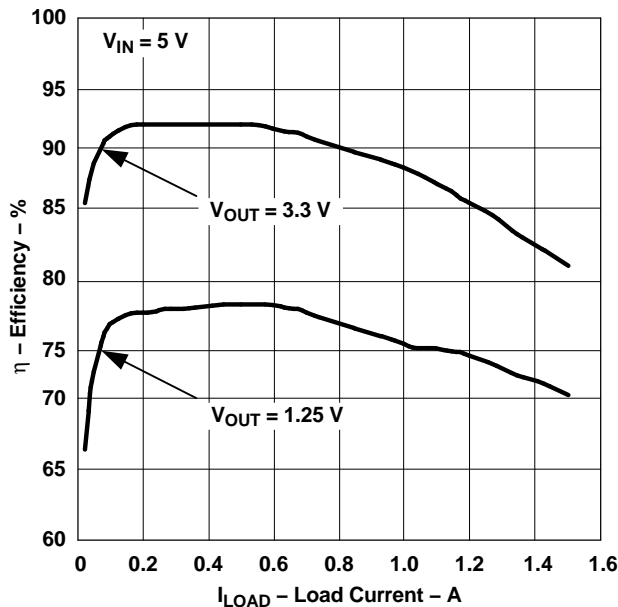
- Disk Drives
- Set Top Box
- Point of Load Power
- ASIC Power Supplies

DESCRIPTION

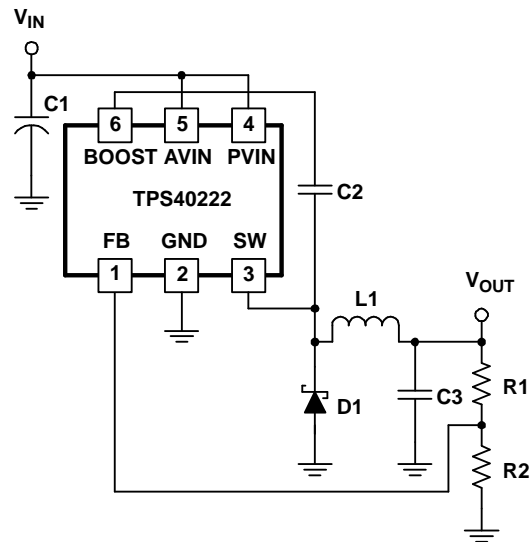
The TPS40222 is a fixed-frequency, current-mode, non-synchronous buck converter optimized for applications powered by a 5-V distributed source. With internally determined operating frequency, soft-start time, and control loop compensation, the TPS40222 provides many features with a minimum of external components.

The TPS40222 operates at 1.25 MHz and supports up to 1.6-A output loads. The output voltage can be programmed to as low as 0.8 V. The TPS40222 utilizes pulse-by-pulse current limit as well as frequency foldback to protect the converter during a catastrophic short circuited output condition.

TYPICAL EFFICIENCY
VS
LOAD CURRENT



SIMPLIFIED APPLICATION DIAGRAM



UDG-04135



Please be aware that an important notice concerning availability, standard warranty, and use in critical applications of Texas Instruments semiconductor products and disclaimers thereto appears at the end of this data sheet.



These devices have limited built-in ESD protection. The leads should be shorted together or the device placed in conductive foam during storage or handling to prevent electrostatic damage to the MOS gates.

ORDERING INFORMATION

T _J	OUTPUT VOLTAGE	PACKAGE	PART NUMBER	MEDIUM	QTY
-40°C to 125°C	Adjustable	Plastic SON (DRP)	TPS40222DRPT	Small tape and reel	250
			TPS40222DRPR	Large tape and reel	3000

ABSOLUTE MAXIMUM RATINGS

over free-air temperature range unless otherwise noted⁽¹⁾

		TPS40222	UNIT
V _{IN}	Input voltage range	BOOST	19
		SW (50 ns maximum)	-5
		SW	-2 to 16
		AVIN, PVIN	10
		FB	-0.3 to 2
I _{OUT}	Output current source	SW	3.5
T _J	Operating junction temperature range		-40 to 160
T _{stg}	Storage temperature		-65 to 165
Case temperature for 10 seconds per JSTD-020C			260

(1) Stresses beyond those listed under "absolute maximum ratings" may cause permanent damage to the device. These are stress ratings only, and functional operation of the device at these or any other conditions beyond those indicated under "recommended operating conditions" is not implied. Exposure to absolute-maximum-rated conditions for extended periods may affect device reliability.

RECOMMENDED OPERATING CONDITIONS

		MIN	NOM	MAX	UNIT
V _{IN}	Input voltage	4.5		8.0	V
I _{OUT}	SW node output current	0		1.6	A
T _J	Operating junction temperature	-40		125	°C

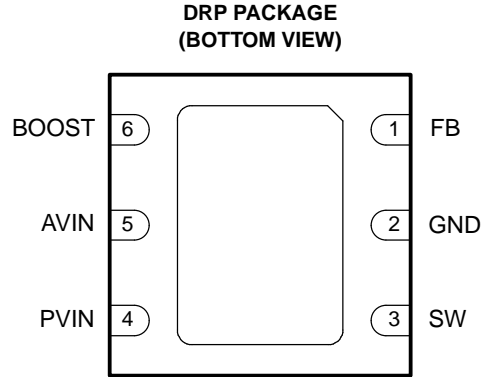
ELECTROSTATIC DISCHARGE (ESD) PROTECTION

		MIN	MAX	UNIT
Human body model			2500	V
CDM			1500	

ELECTRICAL CHARACTERISTICS
 $T_J = -40^{\circ}\text{C}$ to 125°C , $4.5 \leq V_{AVIN} = V_{PVIN} \leq 5.5 \text{ V}$ (unless otherwise noted)

PARAMETER		TEST CONDITIONS	MIN	TYP	MAX	UNIT
FEEDBACK VOLTAGE						
V_{FB}	Feedback voltage	$T_J = 25^{\circ}\text{C}$, No load	792	800	808	mV
		$-40^{\circ}\text{C} \leq T_J \leq 125^{\circ}\text{C}$, No load, $4.5\text{V} \leq V_{DD} \leq 7 \text{ V}$	788		812	
I_{FB}	Feedback input bias current	$V_{FB} = 0.9 \text{ V}$, $V_{AVIN} = V_{PVIN} = 5 \text{ V}$		30	100	nA
SOFT-START						
t_{SS}	Soft-start time	$V_{AVIN} = V_{PVIN} = 5 \text{ V}$	300	550	850	μs
Gm AMPLIFIER						
Gm	Transconductance ⁽¹⁾			10		μS
GBW	Gain bandwidth product ⁽¹⁾			12		MHz
OSCILLATOR						
f_{SW}	Switching frequency	$V_{FB} > 0.7 \text{ V}$	1.00	1.25	1.50	MHz
f_{SWFB}	Minimum foldback frequency	Startup/Overcurrent, $V_{FB} = 0 \text{ V}$	75	140		kHz
	Foldback frequency slope ⁽¹⁾	$0 \text{ V} < V_{FB} < 0.4 \text{ V}$		2200		
V_{FFB}	Frequency foldback V_{FB} threshold voltage ⁽¹⁾		0.4		0.6	V
OVERCURRENT DETECTION						
I_{CL}	Overcurrent threshold	$V_{AVIN} = V_{PVIN} = 5 \text{ V}$	2.1	2.6	3.1	A
t_{ON}	Minimum on-time in overcurrent ⁽¹⁾			90	200	ns
HIGH SIDE MOSFET AND DRIVER						
$R_{DS(on)}$	Drain-to-source on-resistance	$T_J = 25^{\circ}\text{C}$		250		m Ω
		$-40^{\circ}\text{C} \leq T_J \leq 125^{\circ}\text{C}$		250	550	
D_{MAX}	Maximum duty cycle		90%	97%		
I_{SWL}	MOSFET SW leakage current	$V_{PVIN} = 10 \text{ V}$		-10	-30	μA
I_{BOOST}	Boost current	$I_{SW} = 100 \text{ mA}$, $V_{AVIN} = V_{PVIN} = 5 \text{ V}$		0.5	1.0	mA
	Boost diode voltage drop	$I_{DIODE} \leq 5 \text{ mA}$		0.9		
UNDERVOLTAGE LOCKOUT (UVLO)						
V_{ON}	Turn-on voltage		3.6	3.8	4.0	V
V_{HYST}	Hysteresis voltage			0.4		
I_Q	AVIN quiescent current			1.0	1.5	mA
THERMAL SHUTDOWN						
	Thermal shutdown voltage ⁽¹⁾			150		$^{\circ}\text{C}$
	Thermal hysteresis ⁽¹⁾			-10		

(1) Ensured by design. Not production tested.

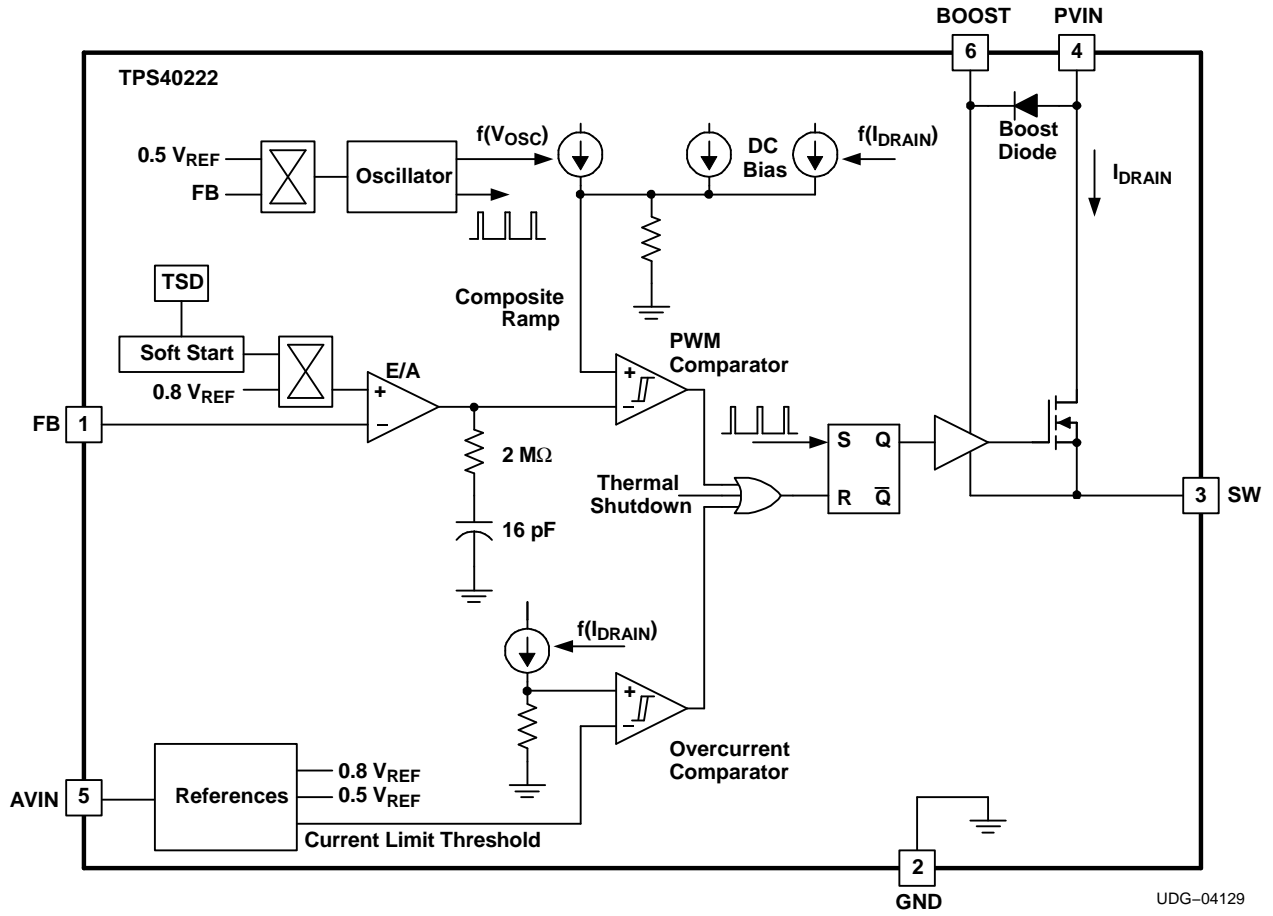


- A. Exposed pad provides a low thermal resistance of $\theta_{JC} = 2^{\circ}\text{C/W}$
- B. Connect exposed pad to GND.

Table 1. TERMINAL FUNCTIONS

TERMINAL NAME	NO.	I/O	DESCRIPTION
AVIN	5	I	Input power to the control section of the device. Closely bypass this pin to GND with a low ESR ceramic capacitor of 1- μF or greater.
BOOST	6	I/O	This pin provides a bootstrapped supply for the high-side MOSFET driver for PWM, enabling the gate of the high-side MOSFET to be driven above the input supply rail. Connect a 33-nF capacitor from this pin to SW pin and (optionally) a Schottky diode from this pin to the PVIN pin.
FB	1	I	Inverting input of the error amplifier. In closed-loop operation, the voltage at this pin is the internal reference level of 800 mV. During startup or fault conditions, the voltage on this pin also affects the operating frequency of the converter. With 0 V on the pin, the operating frequency is approximately 140 kHz. The frequency increases linearly to approximately 1.25 MHz as the voltage on the pin is raised to 0.6 V. Above 0.6 V, the operating frequency remains at approximately 1.25 MHz.
GND	2	-	Ground connection to the device.
PVIN	4	I	Input to the power section of the device. Bypass this pin to GND with a low ESR capacitor of 10- μF or greater.
SW	3	I/O	The source connection of the internal switching MOSFET. Connect this pin to the output inductor and an external catch diode to form the converter's switch node.

SIMPLIFIED BLOCK DIAGRAM



TYPICAL CHARACTERISTICS

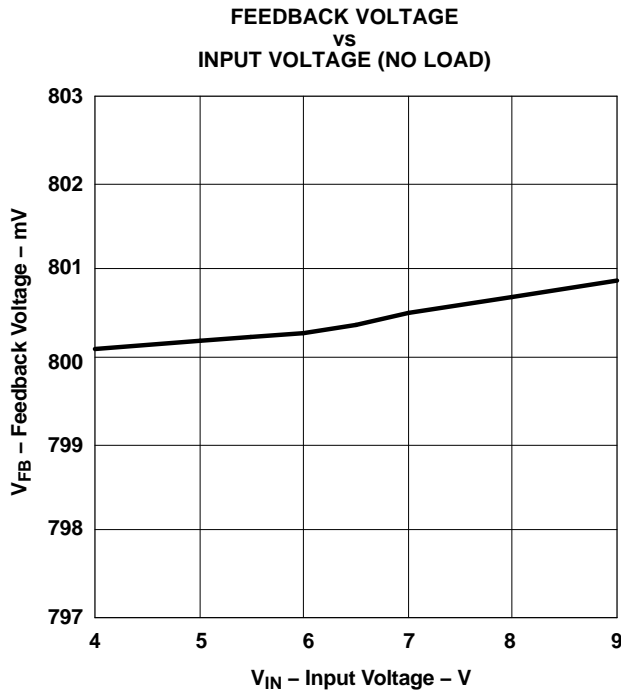


Figure 1.

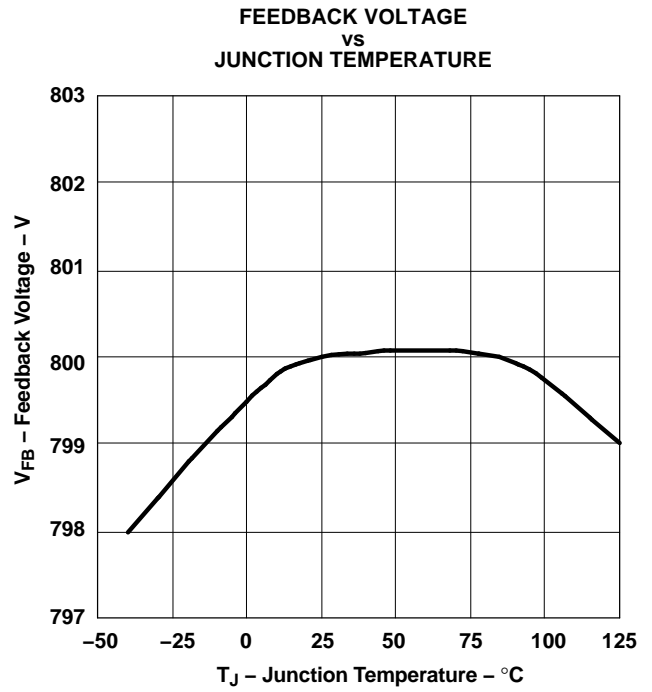


Figure 2.

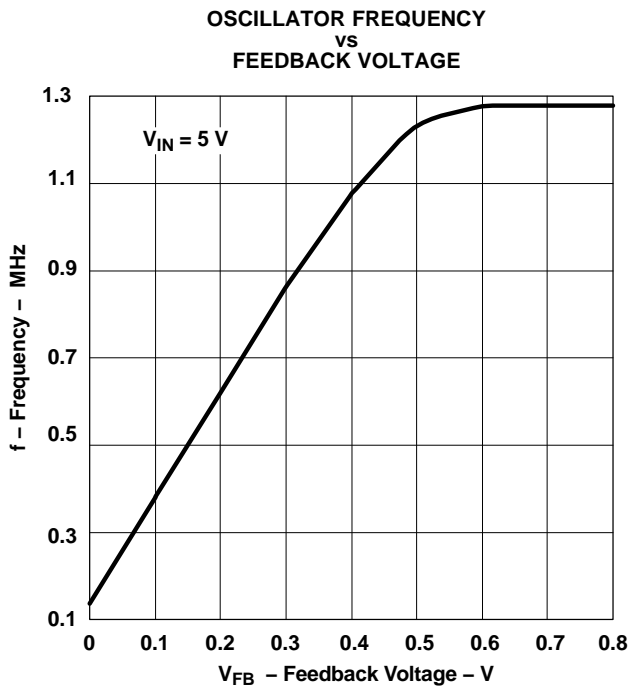


Figure 3.

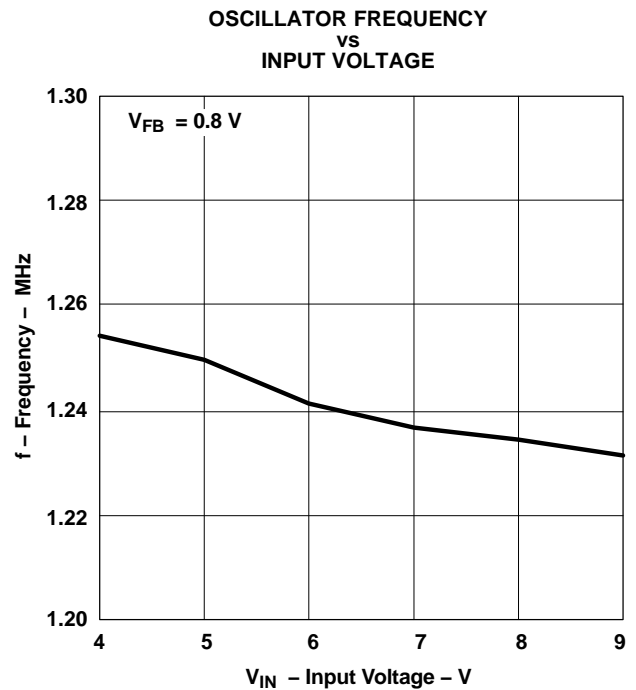


Figure 4.

TYPICAL CHARACTERISTICS (continued)

**OVERCURRENT
vs
INPUT VOLTAGE**

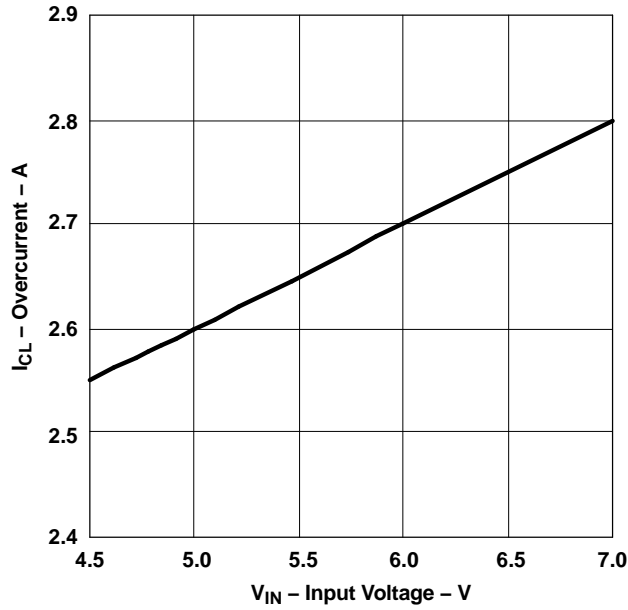


Figure 5.

**OVERCURRENT
vs
JUNCTION TEMPERATURE (V_{IN}=5V)**

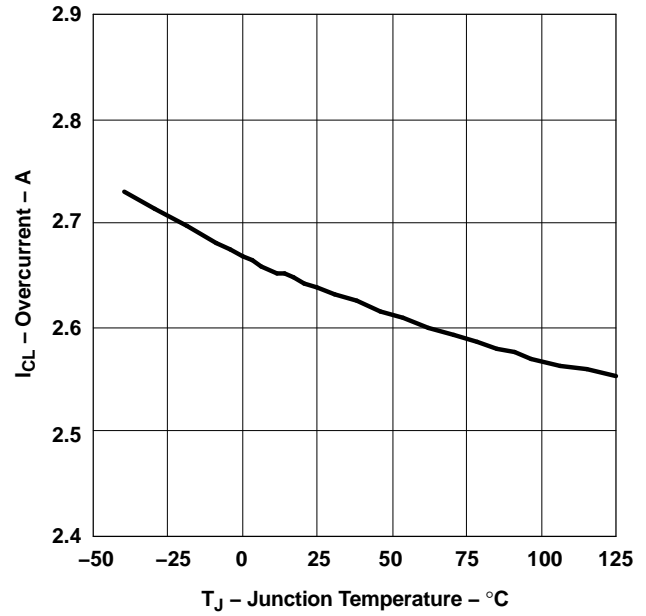


Figure 6.

**SWITCHING MOSFET ON-RESISTANCE
vs
JUNCTION TEMPERATURE**

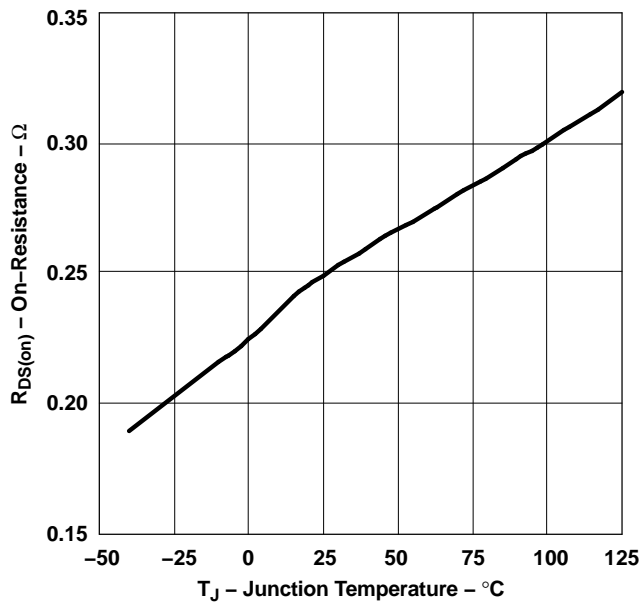


Figure 7.

**SOFT-START TIME
vs
JUNCTION TEMPERATURE**

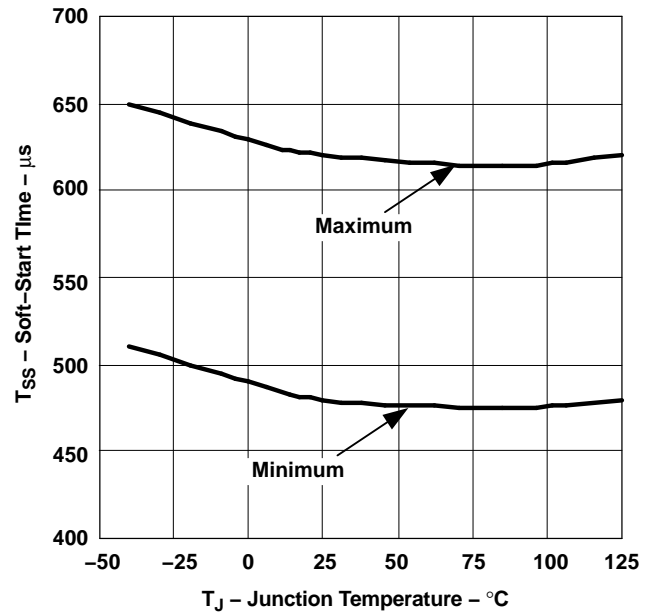


Figure 8.

DETAILED DESCRIPTION

The TPS40222 is a fixed frequency PWM controller incorporating an internal high-side MOSFET switch and is intended for non-synchronous converter applications requiring load current of up to 1.6 A.

Feedback Control

To maintain output voltage regulation, a fixed-frequency, current-mode-control architecture is employed. A transconductance error amplifier with internal compensation senses the output voltage through a resistive divider and compares the result with an internal 0.8-V precision reference voltage. The result of this comparison is fed to the inverting input of a PWM comparator. A composite sawtooth voltage waveform is fed in to the non-inverting input resulting at a PWM signal at the comparator output.

To generate the sawtooth ramp signal, the load current is sensed through the high-side MOSFET during the ON portion of the switching cycle. The sensed current is then split and fed into two trimmed resistor banks that are used to generate the ramps for the PWM control and the pulse-by-pulse current limit. This method of sensing does not require a sense resistor in the high-current path. The portion of the load current for PWM control is then summed with a signal proportional to the oscillator sawtooth, plus a small portion of DC bias to create the composite ramp signal.

UVLO

An internal circuit will turn on the converter when the AVIN voltage rises above approximately 3.8 V. At voltages below this level, the internal oscillator is disabled and the internal MOSFET is biased off.

Reference

The precision bandgap reference of 0.8 V is trimmed to 1%.

Voltage Error Amplifier

The internal transconductance amplifier is used to control the output voltage. A series R-C circuit (2 M Ω , 16 pF) from the output of the amplifier to ground serves as the compensation circuit for the converter.

Oscillator

During normal operation, the internal oscillator runs at a nominal 1.25 MHz. During startup, the oscillator starts at a slower frequency, then as the output voltage rises, the frequency is increased to the nominal operating frequency. The switch-over point occurs when the FB pin voltage exceeds 0.6 V. Above 0.6 V, the oscillator remains at a nominal 1.25 MHz.

A signal derived from the oscillator ramp is used to develop slope compensation for PWM control.

DETAILED DESCRIPTION (continued)

Soft-Start

During power-on, the TPS40222 slowly increases the voltage to the non-inverting input to the error amplifier. In this way, the TPS40222 slowly ramps up the output voltage until the voltage on the non-inverting input to the error amplifier reaches 0.8 V. At that time, the voltage at the non-inverting input to the error amplifier remains at 0.8 V.

Upon startup, the time for the voltage on the non-inverting input of the error amplifier to reach 0.8 V is approximately 550 μ s. The rate of rise of the voltage on the output of a TPS40222 is determined by the resistive divider network that sets the converter output voltage.

For example, the rate of rise of the internal soft-start is:

$$\frac{V_{REF}}{t_{SS}} = \frac{0.8 \text{ V}}{550 \mu\text{s}} \quad (1)$$

where

- t_{SS} in the example is the typical soft-start time of 550 μ s

For a 1.2-V output converter, the rate of rise observed at the output is:

$$\frac{V_{OUT}}{t_{SS}} = \frac{1.2 \text{ V}}{550 \mu\text{s}} \quad (2)$$

Output Short-Circuit Protection

Current fault (short-circuit) protection is provided by sensing the current through the switching MOSFET while it is in the ON state and comparing with a preset internal level. If the current exceeds this level, the switching pulse width is limited causing the output voltage to decay. As the output voltage decays, the operating frequency is also decreased, thereby reducing power dissipation.

If the fault condition persists, and the output voltage continues to decay, then a watchdog circuit discharges the internal soft-start capacitor, effectively shutting off the converter. When this interval is completed, the converter then attempts to restart.

Bootstrap

To drive the internal N-channel MOSFET, a bootstrap, or boost circuit, is added to provide a voltage source higher than the input voltage of sufficient energy to fully enhance the MOSFET each switching cycle. During the freewheeling portion of the switching cycle (refer to [Figure 9](#)), the internal MOSFET is off, and the voltage at the SW node is clamped to just below ground by D1. At this time the input voltage (less the drop of the internal BOOST diode) is impressed upon C2, allowing it to charge. When the internal MOSFET is commanded to turn ON, the SW node rises towards V_{IN} , and the voltage on the BOOST pin rises to approximately $2 \times V_{IN}$. This voltage is used to further turn on the internal MOSFET for the remainder of the switching cycle.

APPLICATION INFORMATION

Typical Application

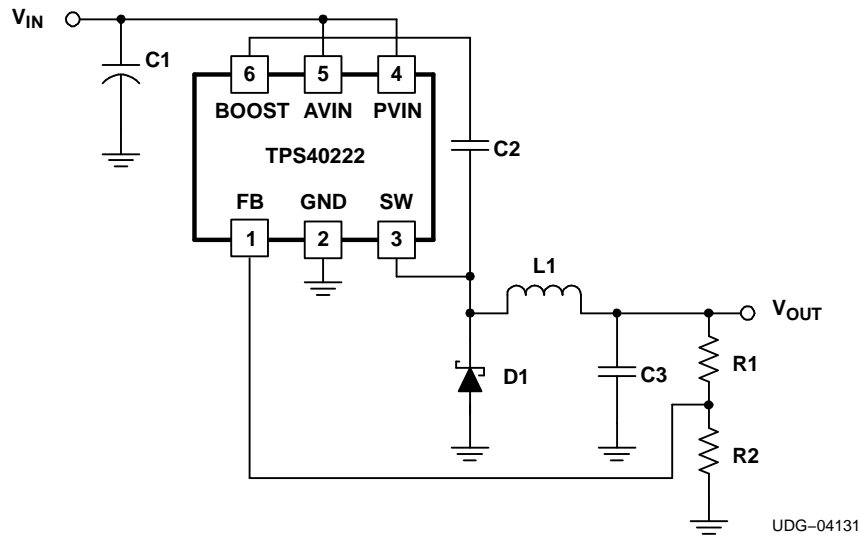


Figure 9. Typical Application

Voltage Setting

The output voltage may be set by knowing that the feedback voltage is 0.8 V and using Equation 3. To determine an output voltage, choose a convenient resistor value for R2 and calculate R1.

$$V_{OUT} = V_{FB} \times \left(1 + \frac{R1}{R2}\right) \tag{3}$$

Output Filter (L1 and C3)

Since the loop compensation is internally fixed and cannot be changed, loop stability can only be controlled by the proper choice of output inductance and capacitance. Table 2 provides a shortcut guide to this selection and recommended capacitance to maintain a safe 50 degrees of phase margin for various inductors and output voltages. The table also shows the minimum capacitance for 50 degrees of phase margin at three temperatures, with the worst case for stability at -40°C. The granularity of the table is sufficient so the user can interpolate between values to find a specific operating condition. The table values assume a full load, which is also the worst case for phase compensation. As an example of using the table, consider a 2.5-V output converter with a 2.2-μH inductor. The table shows that a minimum of 15-μF of output capacitance is required to guarantee greater than 50 degree of phase margin at the worst case temperature of -40°C. With a lead capacitor (C_{LEAD}) added to the feedback as shown in Figure 10, this minimum capacitance increases to 26-μF and the closed-loop frequency increases by about 20%.

APPLICATION INFORMATION (continued)

Table 2. Capacitor Selection⁽¹⁾

INDUCTOR VALUE (μH)	5-V _{IN} RIPPLE CURRENT (mA)	C _{MIN} (μF) (PM > 50° at -40°C)	f _C (kHz) T _J = -40°C	f _C (kHz) T _J = 25°C	f _C (kHz) T _J = 125°C	C _{LEAD} VALUE (pF)
OUTPUT VOLTAGE V_{OUT} = 3.3 V						
1.8		Not Recommended ⁽²⁾				
2.2	340	9	125	101	68	omitted
		21	285	247	92	270
3.3	230	12	98	77	52	omitted
		28	144	112	67	330
4.7	160	15	80	62	41	omitted
		38	111	85	52	470
5.6	140	16	74	58	38	omitted
		40	103	79	47	470
OUTPUT VOLTAGE V_{OUT} = 2.5 V						
1.8	550	13	116	93	63	omitted
		23	169	133	81	330
2.2	370	15	102	81	54	omitted
		26	147	114	65	330
3.3	300	17	91	71	48	omitted
		28	134	102	56	270
4.7	210	20	78	61	41	omitted
		38	106	81	47	470
5.6	180	23	68	53	35	omitted
		34	106	79	43	330
OUTPUT VOLTAGE V_{OUT} = 1.8 V						
1.8	580	20	105	84	56	omitted
		30	137	109	68	470
2.2	470	21	100	80	54	omitted
		32	129	101	62	470
3.3	320	25	86	67	45	omitted
		35	115	88	53	470
4.7	220	30	72	56	37	omitted
		39	99	75	44	470
5.6	190	33	65	51	34	omitted
		40	94	71	41	470
OUTPUT VOLTAGE V_{OUT} = 0.8 V						
1.8	470	50	94	75	50	n/a
2.2	390	52	91	72	48	
3.3	260	60	79	62	42	
4.7	180	70	68	53	36	
5.6	150	75	63	49	33	

(1) See [Figure 10](#).

(2) For V_{OUT} > 3.3 V use an inductor with a value greater than or equal to 2.2 μH.

Output Stage Component Selection

In most applications, the user starts with a known output voltage and current load requirement as shown in Figure 10.

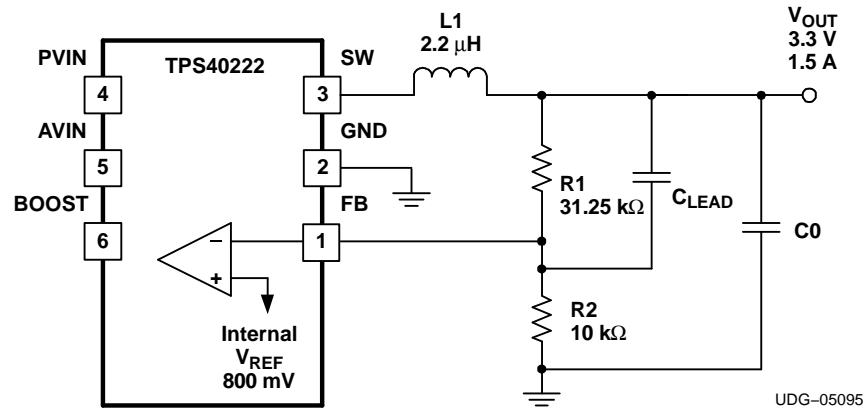


Figure 10. Output Stage

As shown in Figure 10, the trimmed reference voltage is internally connected to the error amplifier. Since the input bias current to this error amplifier is negligible. The feedback resistors R1 and R2 can be selected over a broad range limited by the low bias current into the error amplifier. With this restriction in mind, R2 was selected at 10 kΩ, so its current is 80 μA and large relative to the bias current of the error amplifier. The output voltage is then given by Equation 4.

$$V_{OUT} = 0.8 \times \left(1 + \frac{R1}{R2} \right) = 3.3 \text{ V} \tag{4}$$

where

- R1 = 31.25 kΩ
- R2 = 10 kΩ

Inductor Selection

This device's high-frequency internal clock enables the use of smaller, less expensive inductors. Ferrite, with its good high frequency properties, is the material of choice. Several manufacturers provide catalogs with inductor saturation currents, inductance values, and LSRs (internal resistance) for their various sized ferrites. For a 3.3-V, 1.5 A application, the inductor's saturation current must be higher than the maximum output current plus ½ the ripple current. The inductor value sets the ripple current. A small inductor provides better transient response and is a smaller, less expensive part. Too low an inductor value, however, causes high ripple currents that cause high ripple voltage across the ESR of the output capacitance. A rule of thumb is to set high ripple current to be less than 30% of the output current. A first order calculation then gives:

$$L = \frac{\Delta V \times t_{ON}}{\Delta I} \tag{5}$$

where

- ΔV is the input voltage -(IR drops in the inductor and FET) - V_{OUT}
- ΔI is 30% of 1.5 A
- t_{ON} is the on time given by (V_{OUT} / (V_{IN} × f)) where f = 1.25 MHz

Under these conditions, L = 1.55 μH

Selecting a standard value 2.2-μH inductor, with an internal resistance of 32 mΩ, the peak current developed during the on time is 1.66 A. This value is safely below the device's built in overcurrent limit of 2.1 A.

Capacitor Selection

One constraint on the capacitance is the overshoot allowed by a sudden load change. The worst case for a transient load release occurs at the time when the inductor has just finished a t_{ON} pulse. At this point, the inductor is operating at maximum current. When the output load is suddenly removed, all of the inductor current must be absorbed by the output capacitance. With a typical output voltage overshoot requirement of 2% at 3.3-V, the minimum capacitance required to remain in specification is calculated using [Equation 6](#).

$$\frac{1}{2} \times L_O \times (I_O)^2 \leq \frac{1}{2} C_O (V_{OS}^2 - V_O^2) \quad (6)$$

where

- V_{OS} is the maximum overshoot voltage
- $L_O = 2.2 \mu\text{H}$
- $I_O = 1.5 \text{ A}$
- $V_O = 3.3 \text{ V}$

Solving this relationship, the minimum required output capacitance C_O is 11- μF .

The other load transition extreme is from no load to full load that occurs just after a minimum on-time cycle has started. At this point, the controller has to support this load for the remainder of the cycle with a minimum of current available from the inductor. In this example, the minimum on-time with a 3.3-V output is 528 ns and the off-time is 800 ns minus 528 ns = 272 ns. Using the relationship shown in [Equation 7](#);

$$C_{MIN} = \frac{I_O \times \Delta t}{\Delta V_{OUT}} = 6.1 \mu\text{F} \quad (7)$$

where

- ΔV_{OUT} is a 2% specified output voltage droop
- $I_O = 1.5 \text{ A}$
- $\Delta t = 272 \text{ ns}$

Ceramic capacitors with a low ESR are used to achieve the lowest voltage ripple. For example, current 1206, 6.3-V capacitors that provide 22 μF and an ESR of 2 $\text{m}\Omega$ are available.

These component selection decisions influence the phase margin and hence the stability of the system. For example, raising the output capacitance reduces the system crossover frequency and raises phase margin. [Figure 11](#) illustrates this in a curve that shows phase margin as a function of output capacitance for two widely different inductors. The curves show that beyond a certain point, added capacitance has limited benefit. This point can be exploited to avoid the expense of excessive output capacitance. The curves also show the advantage of a lower inductance, where only 20-μF of output capacitance is required to obtain 60 degrees of phase margin.

The output voltage affects the phase margin by changing the equivalent output resistance to deliver full load. With a higher output voltage for example, there is a higher full-load resistance and a lower output capacitance is required for the same phase margin. An idea of this effect is illustrated in [Figure 12](#) which plots the required minimum capacitance to achieve 50 degrees of phase margin at different output voltages. The curves also show the reduction in output capacitance that may be achieved with a lower inductor value.

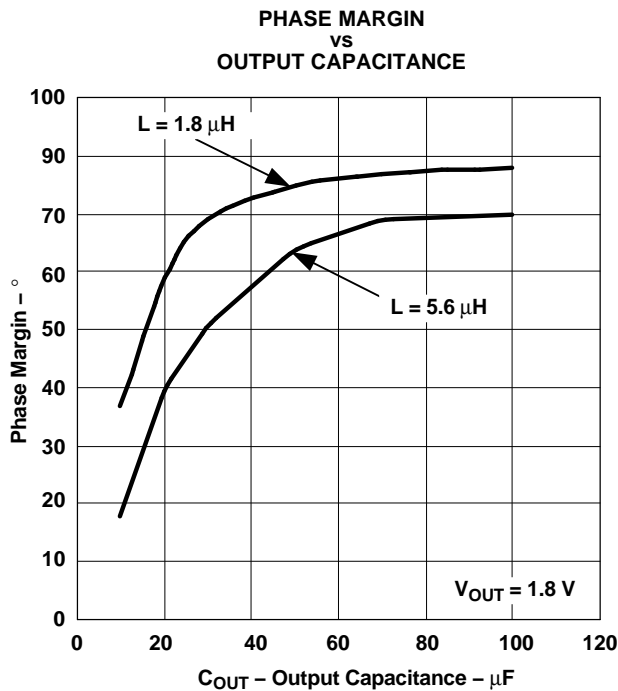


Figure 11.

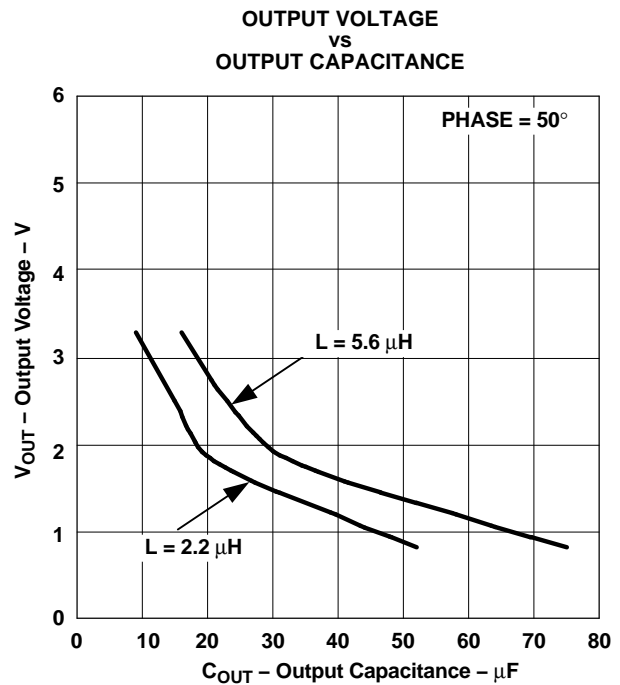


Figure 12.

A further improvement in reducing output capacitance is made by adding a lead capacitor across R1 of the feedback network. This lead capacitor can be determined by making its impedance equal to the resistance of R1 at the resonant frequency of the output L-C network. The lead capacitance is calculated using [Equation 8](#).

$$C_{LEAD} = \frac{1}{2\pi \times f_R \times R} \tag{8}$$

The resonant frequency formed by the inductor and the output load capacitance is calculated in [Equation 9](#).

$$f_R = \frac{1}{2\pi} \times \left(\frac{1}{L \times C_O} \right)^{\frac{1}{2}} \tag{9}$$

Catch Diode (D1)

The selection of the catch diode depends on the application current. Select a diode that has a low forward voltage drop, and a low junction capacitance. A diode with too high of a forward voltage drop or a diode with high junction capacitance result in a converter that has poor efficiency, as well as excessive ringing on the SW node and excessive output voltage noise.

Input Filter Capacitor (C1)

Select a good quality, low ESR ceramic capacitor to bypass the input. For a conservative design, the capacitor should have a ripple current rating equal to the load current of the converter.

Boost Capacitor (C2)

The boost capacitor is sized to ensure there is enough energy available to turn on the internal MOSFET. For most applications, use a ceramic capacitor with a value between 33 nF and 100 nF.

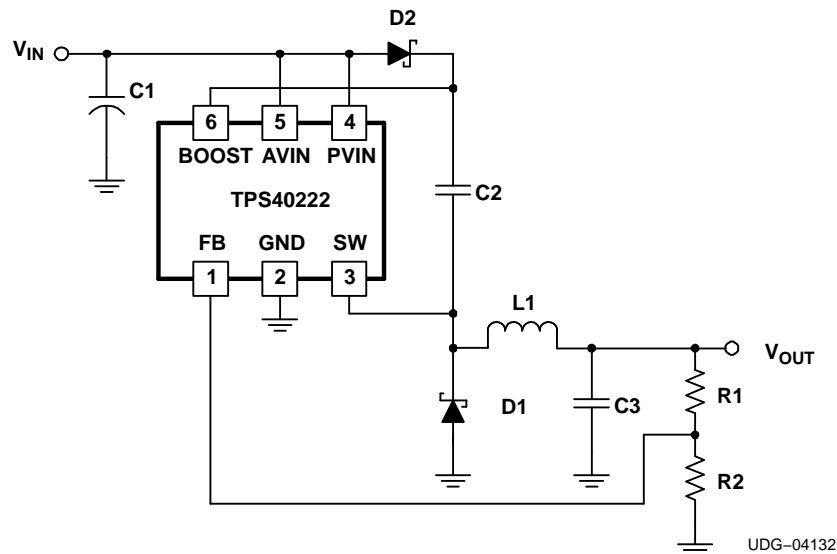


Figure 13. Using a Boost Diode

Boost Diode (D2)

For some applications, the internal bootstrap diode's voltage drop may be too high to sufficiently charge the boost capacitor each switching cycle. For these applications, a Schottky diode, D2 shown in [Figure 13](#), may be added.

Output Preload Requirement

One of the requirements for proper startup of the DC-to-DC converter is that the boost capacitor, C2, has sufficient voltage across it before switching occurs. In some applications, notably those with output voltages of 3.3 V, and those with slowly rising or low input voltages, there is the need to add a small 10 mA, pre-load to the converter to hold the SW node to GND before switching begins. Without a pre-load, the output voltage may not reach regulation. In addition, the pre-load prevents the output from overshooting too much when the load is stepped from a high value to zero.

AVIN Filtering

Some applications may require the addition of an R-C filter on the input of AVIN to filter unwanted noise and improve load regulation. (See [Figure 14](#)) Use R4=10 Ω and C5=1 μ F. Connect the ground side of C5 as close as possible to the GND pin of the device.

SW Node Snubber

To attenuate excessive ringing at the SW node, an R-C network may be added across D1. (See [Figure 14](#))

Use R3=10 Ω and C4=680 pF as a starting point. Decrease C4 until the minimum capacitance is found for the desired ringing attenuation.

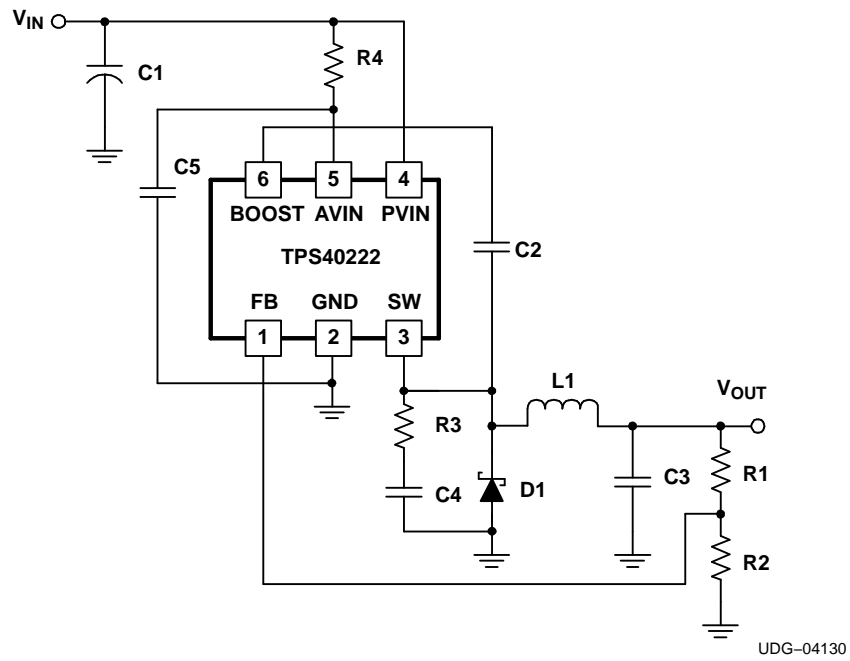


Figure 14. AVIN Filter and SW Node Snubber

Application Circuit Schematic

Figure 15 shows an example of an application incorporating a TPS40222 in a 1.2-V output DC-to-DC converter. Notice the use of parallel capacitors at the input and the output to reduce the effective ESR of the capacitance.

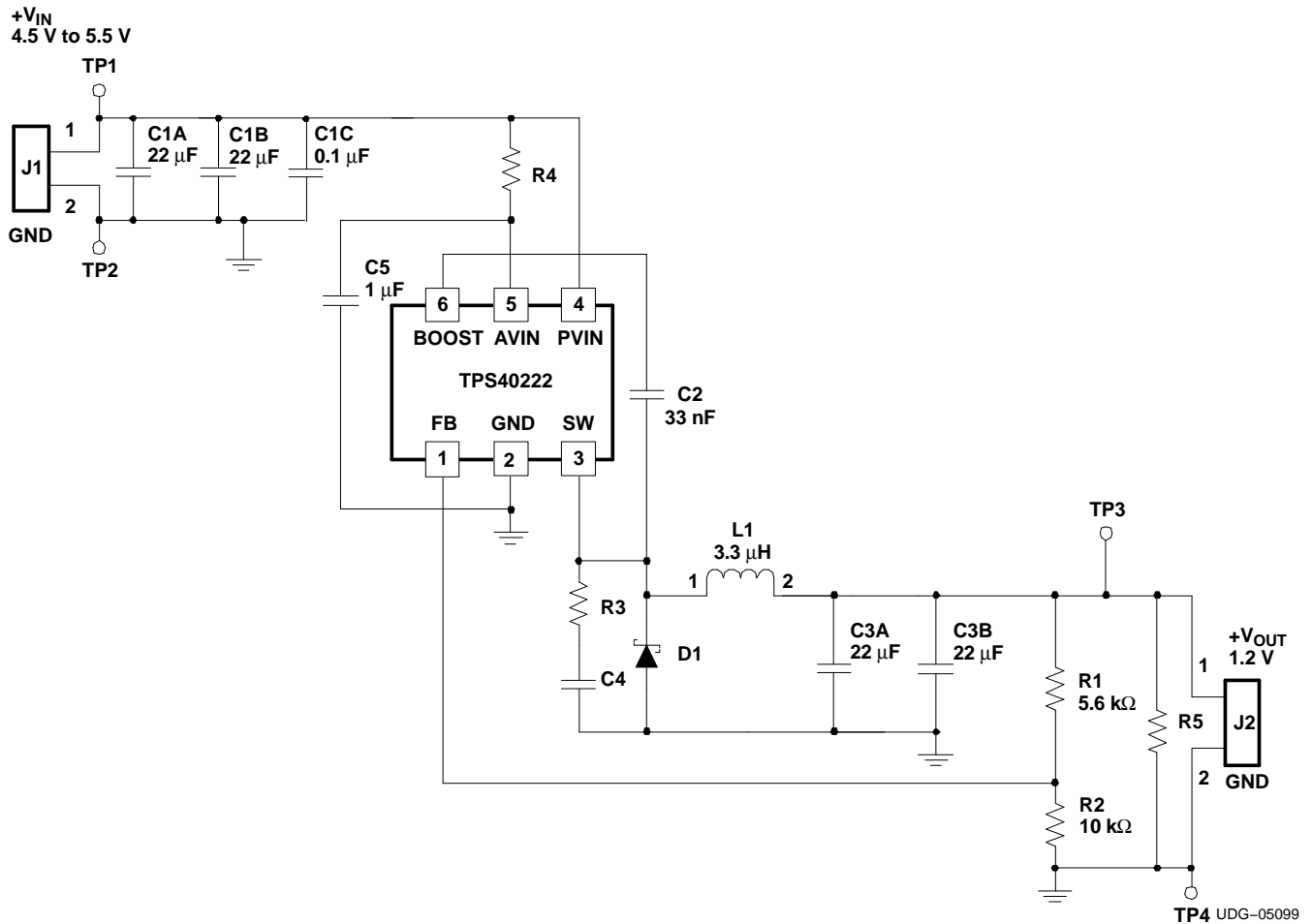


Figure 15. 5- V_{IN} , 1.2 V_{OUT} DC-to-DC Converter

Table 3. List of Materials

REFERENCE DESIGNATOR	QTY	DESCRIPTION	VENDOR PART NUMBER	VENDOR	NOTES
C1A, C1B	2	Capacitor, 22 μ F ceramic, 1206			Input bypass
C1D	1	Capacitor, 0.1 μ F ceramic, 0805			High-frequency bypass, mount near V_{CC}
C2	1	Capacitor, 33 nF ceramic, 0805			Bootstrap
C3A, C3B	2	Capacitor, 22 μ F ceramic, 1206			Output capacitors
C4	1	Capacitor, 680 pF ceramic, 0805			Snubber (optional - open if not used)
C5	1	Capacitor, 1 μ F ceramic, 0805			Device input voltage filter capacitor
D1	1	Diode, Schottky, 1 A	RSX501L-20	ROHM	Catch diode
L1	1	Inductor, 3.3 μ H	ELL6PV3R3N	Panasonic	Filter inductor
R1	1	Resistor, 5620 Ω , 1%, SMD, 0603			Voltage setting resistor
R2	1	Resistor, 10 k Ω , 1%, SMD, 0603			Voltage setting resistor
R3	1	Resistor, 10 Ω , 10%, SMD, 0805			Snubber (optional - open if not used)
R4	1	Resistor, 10 Ω , 10%, SMD, 0603			Device input voltage filter (optional - short if not used)
R5	1	Resistor, 120 Ω , 10%, SMD, 0805			Output pre-load (optional - open if not used)
U1	1	PWM converter device	TPS40222	Texas Instruments	

APPLICATION CURVES

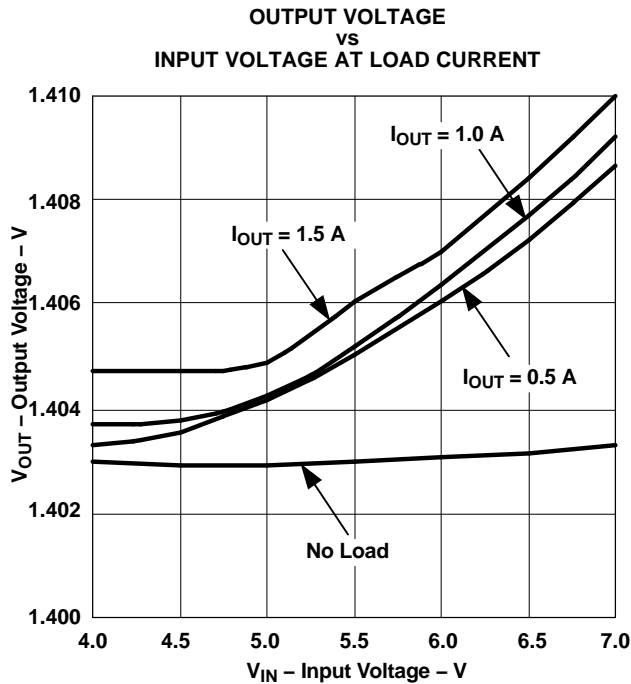


Figure 16.

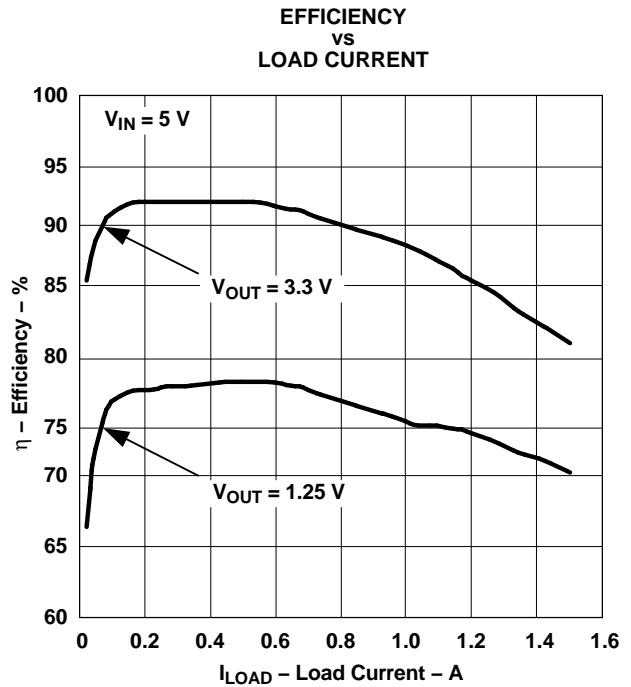
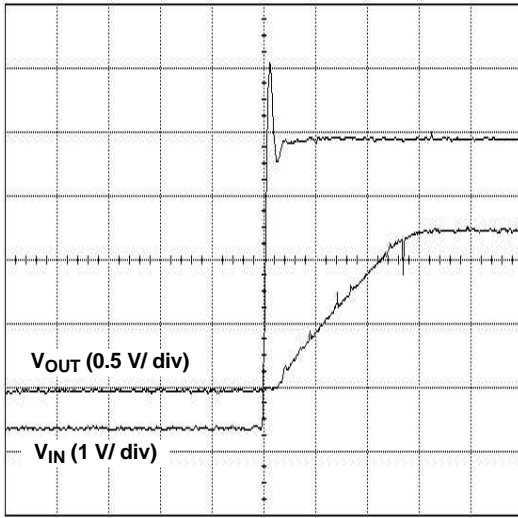


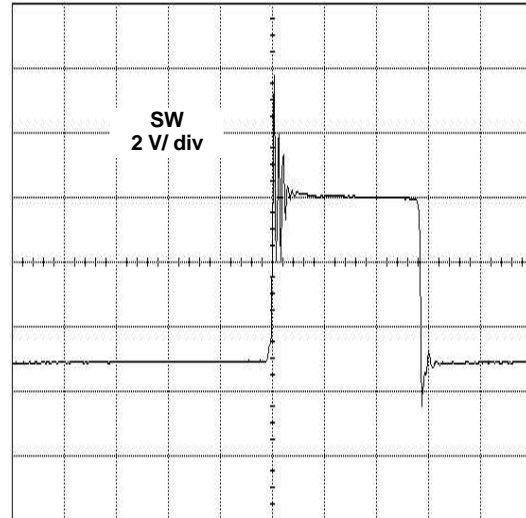
Figure 17.

TYPICAL CHARACTERISTICS



t – Time – 200 μ s/div

Figure 18. Startup Waveform



t – Time – 100 ns/div

Figure 19. SW Node Waveform

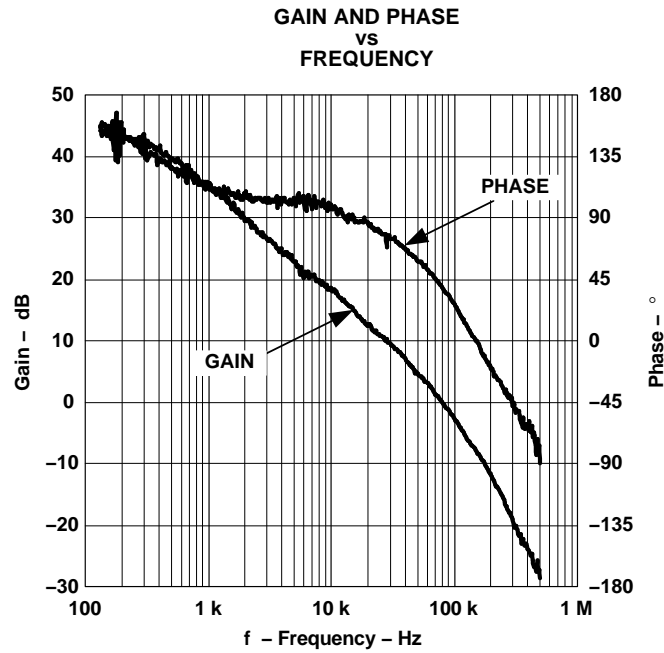


Figure 20.

PC BOARD LAYOUT RECOMMENDATIONS

Device Pad Design

The 6-pin package has an exposed thermal pad intended to help conduct heat out of the package, allowing a higher than otherwise available operating ambient temperature. Place three vias within the pad area, tying them to an analog ground plane.

PCB Layout

When designing a DC-to-DC converter layout, care must be taken to ensure a noise-free design.

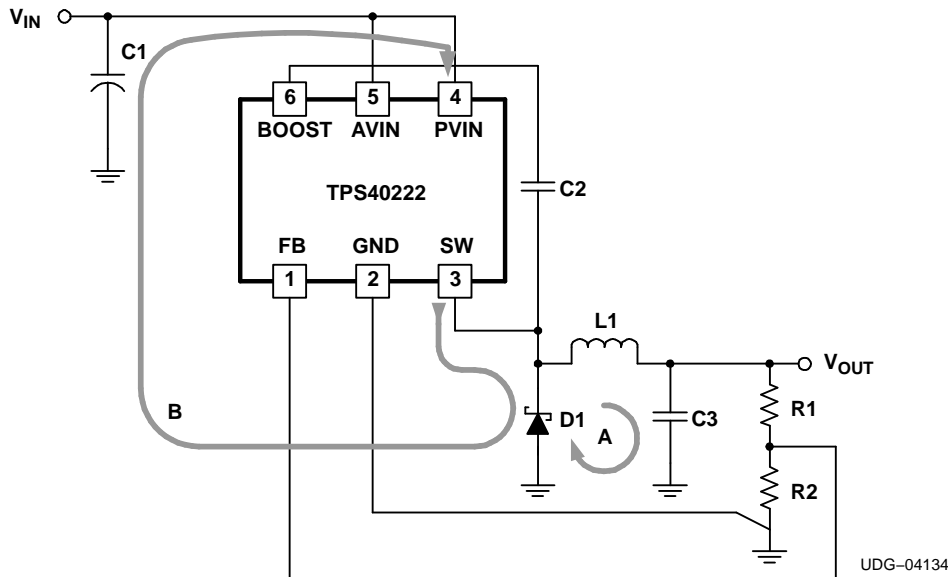


Figure 21. Ensuring a Noise-Free Layout

- AC current loops must be kept as short as possible. The input loop B (C1-U1-D1) in the figure must be kept short to ensure proper filtering by C1 for the device. Excessive high frequency noise on AVIN during switching could degrade overall regulation as the load increases. In order to reduce noise spikes seen by the device, an R-C filter is recommended (see *AVIN Filtering* in the *APPLICATION INFORMATION* section) and a snubber may be added (see *SW Node Snubber* in the *APPLICATION INFORMATION* section).
- The output loop A (D1-L1-C3) should also be kept as small as possible. Noise performance at the output of the converter suffers if the loop area is too large.
- It is recommended that traces carrying large AC currents NOT be connected through a ground plane. Instead, use PCB traces on the top layer to conduct the AC current and use the ground plane as a noise shield. Split the ground plane as necessary to keep noise away from the TPS40222 and noise sensitive areas (R1, R2).
- Keep the SW node as physically small as possible to minimize parasitic capacitance and to minimize radiated emissions
- For good output voltage regulation, R1 should be connected close to the load. The R2-TPS40222 (GND) connection should be tied close to the load as well.
- The trace from the R1-R2 junction to the TPS40222 should be kept away from any noise source, such as the SW node, or the boost circuitry.
- The GND pin and the thermal pad of the TPS40222 should be connected together under the device as indicated in the pad design section. For good thermal conductivity, VIAs directly under the device should connect the thermal pad to a ground plane on the other side of the board.

PACKAGING INFORMATION

Orderable Device	Status (1)	Package Type	Package Drawing	Pins	Package Qty	Eco Plan (2)	Lead/Ball Finish (6)	MSL Peak Temp (3)	Op Temp (°C)	Device Marking (4/5)	Samples
TPS40222DRPR	ACTIVE	VSON	DRP	6	3000	Green (RoHS & no Sb/Br)	CU NIPDAU	Level-2-260C-1 YEAR	-40 to 125	0222	Samples
TPS40222DRPRG4	ACTIVE	VSON	DRP	6	3000	Green (RoHS & no Sb/Br)	CU NIPDAU	Level-2-260C-1 YEAR	-40 to 125	0222	Samples
TPS40222DRPT	ACTIVE	VSON	DRP	6	250	Green (RoHS & no Sb/Br)	CU NIPDAU	Level-2-260C-1 YEAR	-40 to 125	0222	Samples

(1) The marketing status values are defined as follows:

ACTIVE: Product device recommended for new designs.

LIFEBUY: TI has announced that the device will be discontinued, and a lifetime-buy period is in effect.

NRND: Not recommended for new designs. Device is in production to support existing customers, but TI does not recommend using this part in a new design.

PREVIEW: Device has been announced but is not in production. Samples may or may not be available.

OBSOLETE: TI has discontinued the production of the device.

(2) Eco Plan - The planned eco-friendly classification: Pb-Free (RoHS), Pb-Free (RoHS Exempt), or Green (RoHS & no Sb/Br) - please check <http://www.ti.com/productcontent> for the latest availability information and additional product content details.

TBD: The Pb-Free/Green conversion plan has not been defined.

Pb-Free (RoHS): TI's terms "Lead-Free" or "Pb-Free" mean semiconductor products that are compatible with the current RoHS requirements for all 6 substances, including the requirement that lead not exceed 0.1% by weight in homogeneous materials. Where designed to be soldered at high temperatures, TI Pb-Free products are suitable for use in specified lead-free processes.

Pb-Free (RoHS Exempt): This component has a RoHS exemption for either 1) lead-based flip-chip solder bumps used between the die and package, or 2) lead-based die adhesive used between the die and leadframe. The component is otherwise considered Pb-Free (RoHS compatible) as defined above.

Green (RoHS & no Sb/Br): TI defines "Green" to mean Pb-Free (RoHS compatible), and free of Bromine (Br) and Antimony (Sb) based flame retardants (Br or Sb do not exceed 0.1% by weight in homogeneous material)

(3) MSL, Peak Temp. - The Moisture Sensitivity Level rating according to the JEDEC industry standard classifications, and peak solder temperature.

(4) There may be additional marking, which relates to the logo, the lot trace code information, or the environmental category on the device.

(5) Multiple Device Markings will be inside parentheses. Only one Device Marking contained in parentheses and separated by a "~" will appear on a device. If a line is indented then it is a continuation of the previous line and the two combined represent the entire Device Marking for that device.

(6) Lead/Ball Finish - Orderable Devices may have multiple material finish options. Finish options are separated by a vertical ruled line. Lead/Ball Finish values may wrap to two lines if the finish value exceeds the maximum column width.

Important Information and Disclaimer: The information provided on this page represents TI's knowledge and belief as of the date that it is provided. TI bases its knowledge and belief on information provided by third parties, and makes no representation or warranty as to the accuracy of such information. Efforts are underway to better integrate information from third parties. TI has taken and

continues to take reasonable steps to provide representative and accurate information but may not have conducted destructive testing or chemical analysis on incoming materials and chemicals. TI and TI suppliers consider certain information to be proprietary, and thus CAS numbers and other limited information may not be available for release.

In no event shall TI's liability arising out of such information exceed the total purchase price of the TI part(s) at issue in this document sold by TI to Customer on an annual basis.

TAPE AND REEL INFORMATION

QUADRANT ASSIGNMENTS FOR PIN 1 ORIENTATION IN TAPE


*All dimensions are nominal

Device	Package Type	Package Drawing	Pins	SPQ	Reel Diameter (mm)	Reel Width W1 (mm)	A0 (mm)	B0 (mm)	K0 (mm)	P1 (mm)	W (mm)	Pin1 Quadrant
TPS40222DRPR	VSON	DRP	6	3000	330.0	12.4	3.3	3.3	1.1	8.0	12.0	Q2
TPS40222DRPT	VSON	DRP	6	250	180.0	12.4	3.3	3.3	1.1	8.0	12.0	Q2
TPS40222DRPT	VSON	DRP	6	250	180.0	12.4	3.3	3.3	1.1	8.0	12.0	Q2

TAPE AND REEL BOX DIMENSIONS

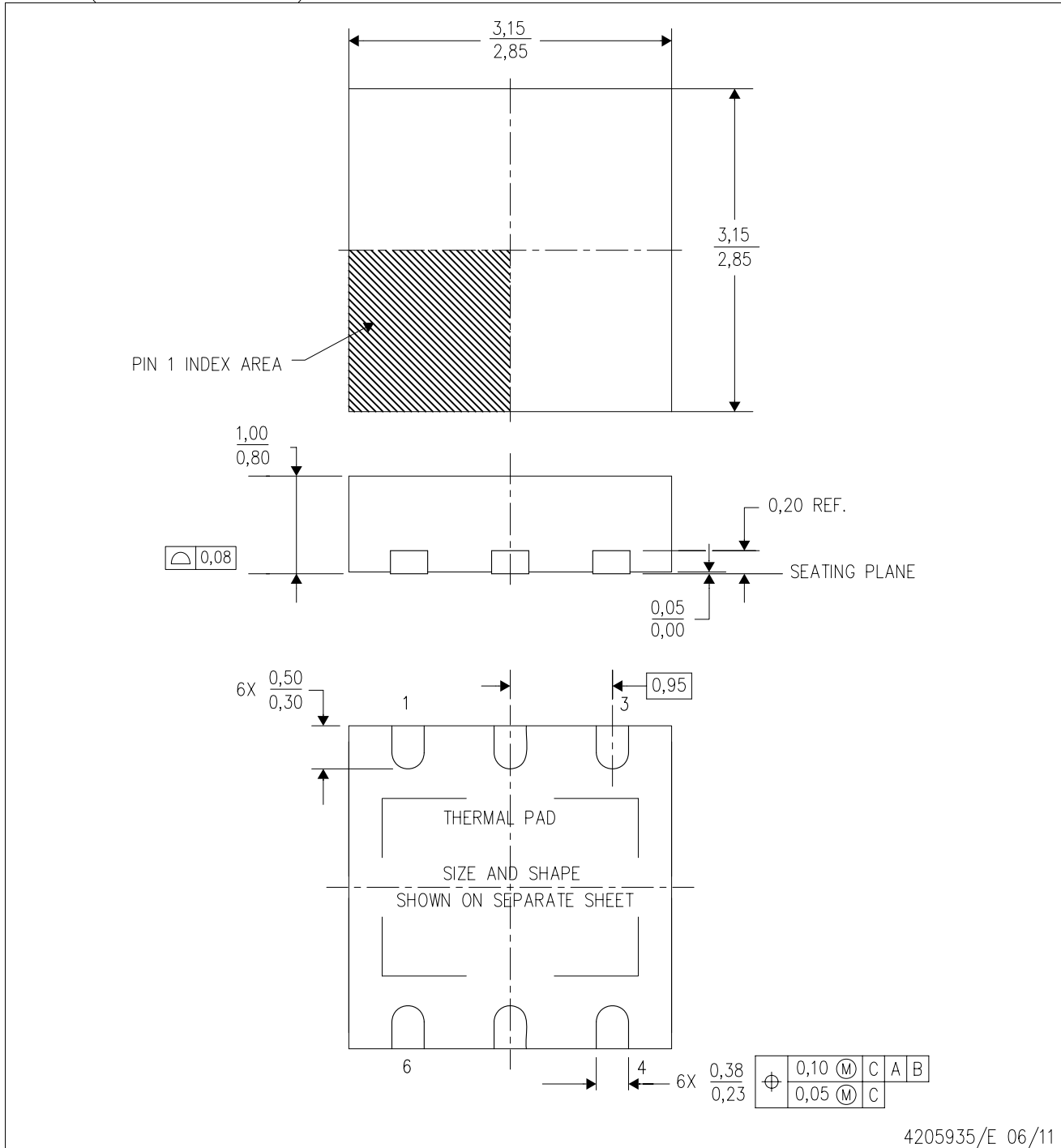

*All dimensions are nominal

Device	Package Type	Package Drawing	Pins	SPQ	Length (mm)	Width (mm)	Height (mm)
TPS40222DRPR	VSON	DRP	6	3000	367.0	367.0	35.0
TPS40222DRPT	VSON	DRP	6	250	210.0	185.0	35.0
TPS40222DRPT	VSON	DRP	6	250	210.0	185.0	35.0

MECHANICAL DATA

DRP (S-PVSON-N6)

PLASTIC SMALL OUTLINE NO-LEAD



- NOTES:
- All linear dimensions are in millimeters. Dimensioning and tolerancing per ASME Y14.5M-1994.
 - This drawing is subject to change without notice.
 - Small Outline No-Lead (SON) package configuration.
 - The package thermal pad must be soldered to the board for thermal and mechanical performance.
 - See the additional figure in the Product Data Sheet for details regarding the exposed thermal pad features and dimensions.

THERMAL PAD MECHANICAL DATA

DRP (S-PVSON-N6)

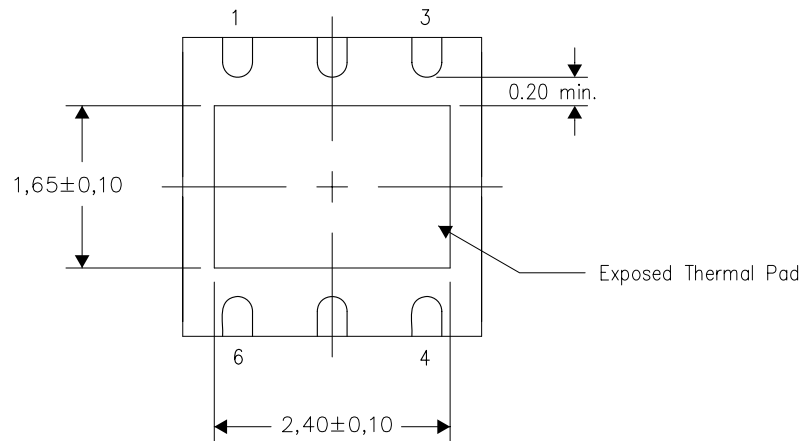
PLASTIC SMALL OUTLINE NO-LEAD

THERMAL INFORMATION

This package incorporates an exposed thermal pad that is designed to be attached directly to an external heatsink. The thermal pad must be soldered directly to the printed circuit board (PCB). After soldering, the PCB can be used as a heatsink. In addition, through the use of thermal vias, the thermal pad can be attached directly to the appropriate copper plane shown in the electrical schematic for the device, or alternatively, can be attached to a special heatsink structure designed into the PCB. This design optimizes the heat transfer from the integrated circuit (IC).

For information on the Quad Flatpack No-Lead (QFN) package and its advantages, refer to Application Report, QFN/SON PCB Attachment, Texas Instruments Literature No. SLUA271. This document is available at www.ti.com.

The exposed thermal pad dimensions for this package are shown in the following illustration.

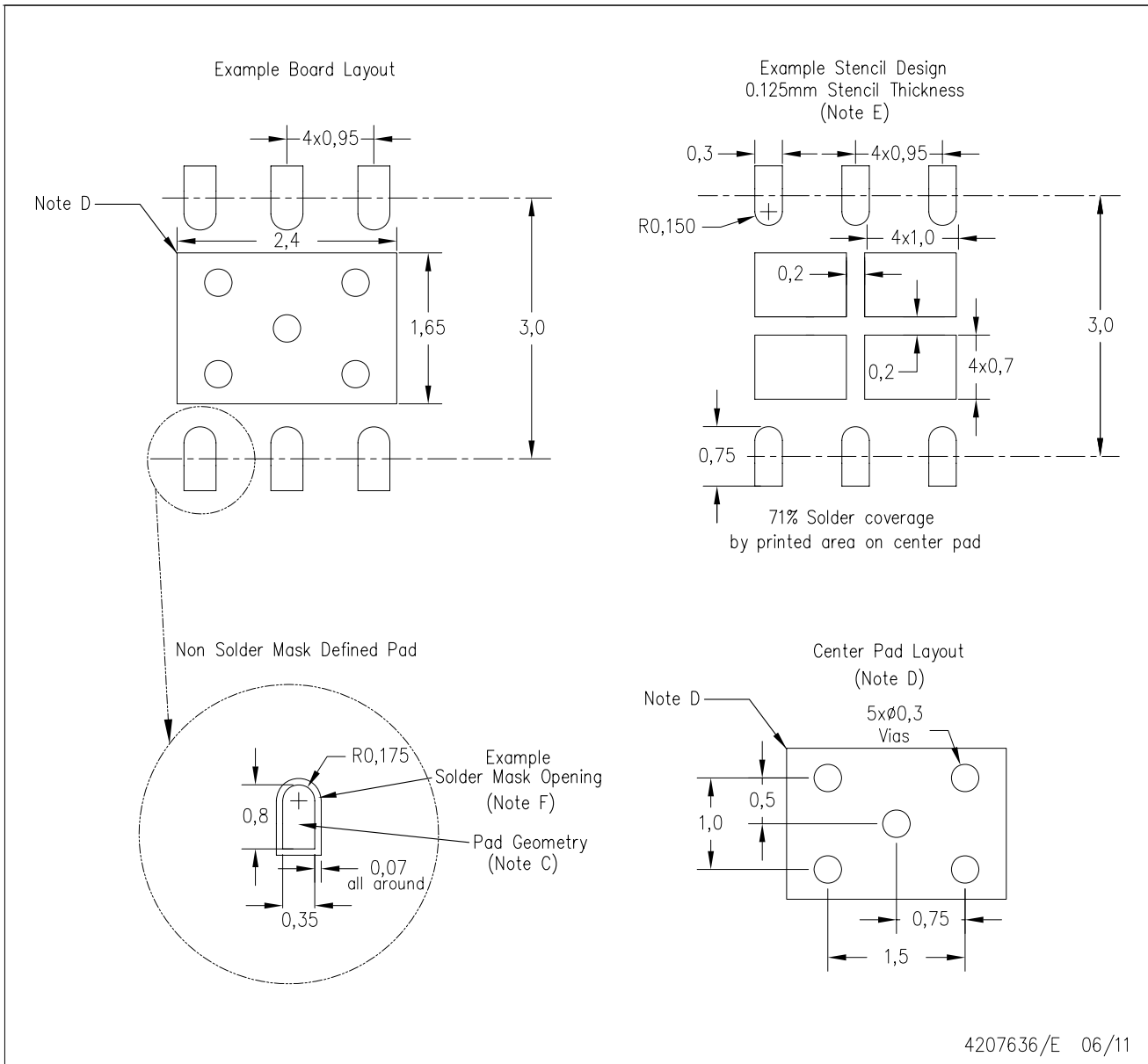


Bottom View

Exposed Thermal Pad Dimensions

4207637/G 06/11

NOTE: All linear dimensions are in millimeters



4207636/E 06/11

- NOTES:
- All linear dimensions are in millimeters.
 - This drawing is subject to change without notice.
 - Publication IPC-7351 is recommended for alternate designs.
 - This package is designed to be soldered to a thermal pad on the board. Refer to Application Note, QFN Packages, Texas Instruments Literature No. SLUA271, and also the Product Data Sheets for specific thermal information, via requirements, and recommended board layout. These documents are available at www.ti.com <<http://www.ti.com>>.
 - Laser cutting apertures with trapezoidal walls and also rounding corners will offer better paste release. Customers should contact their board assembly site for stencil design recommendations. Refer to IPC 7525 for stencil design considerations.
 - Customers should contact their board fabrication site for solder mask tolerances.

IMPORTANT NOTICE

Texas Instruments Incorporated (TI) reserves the right to make corrections, enhancements, improvements and other changes to its semiconductor products and services per JESD46, latest issue, and to discontinue any product or service per JESD48, latest issue. Buyers should obtain the latest relevant information before placing orders and should verify that such information is current and complete.

TI's published terms of sale for semiconductor products (<http://www.ti.com/sc/docs/stdterms.htm>) apply to the sale of packaged integrated circuit products that TI has qualified and released to market. Additional terms may apply to the use or sale of other types of TI products and services.

Reproduction of significant portions of TI information in TI data sheets is permissible only if reproduction is without alteration and is accompanied by all associated warranties, conditions, limitations, and notices. TI is not responsible or liable for such reproduced documentation. Information of third parties may be subject to additional restrictions. Resale of TI products or services with statements different from or beyond the parameters stated by TI for that product or service voids all express and any implied warranties for the associated TI product or service and is an unfair and deceptive business practice. TI is not responsible or liable for any such statements.

Buyers and others who are developing systems that incorporate TI products (collectively, "Designers") understand and agree that Designers remain responsible for using their independent analysis, evaluation and judgment in designing their applications and that Designers have full and exclusive responsibility to assure the safety of Designers' applications and compliance of their applications (and of all TI products used in or for Designers' applications) with all applicable regulations, laws and other applicable requirements. Designer represents that, with respect to their applications, Designer has all the necessary expertise to create and implement safeguards that (1) anticipate dangerous consequences of failures, (2) monitor failures and their consequences, and (3) lessen the likelihood of failures that might cause harm and take appropriate actions. Designer agrees that prior to using or distributing any applications that include TI products, Designer will thoroughly test such applications and the functionality of such TI products as used in such applications.

TI's provision of technical, application or other design advice, quality characterization, reliability data or other services or information, including, but not limited to, reference designs and materials relating to evaluation modules, (collectively, "TI Resources") are intended to assist designers who are developing applications that incorporate TI products; by downloading, accessing or using TI Resources in any way, Designer (individually or, if Designer is acting on behalf of a company, Designer's company) agrees to use any particular TI Resource solely for this purpose and subject to the terms of this Notice.

TI's provision of TI Resources does not expand or otherwise alter TI's applicable published warranties or warranty disclaimers for TI products, and no additional obligations or liabilities arise from TI providing such TI Resources. TI reserves the right to make corrections, enhancements, improvements and other changes to its TI Resources. TI has not conducted any testing other than that specifically described in the published documentation for a particular TI Resource.

Designer is authorized to use, copy and modify any individual TI Resource only in connection with the development of applications that include the TI product(s) identified in such TI Resource. NO OTHER LICENSE, EXPRESS OR IMPLIED, BY ESTOPPEL OR OTHERWISE TO ANY OTHER TI INTELLECTUAL PROPERTY RIGHT, AND NO LICENSE TO ANY TECHNOLOGY OR INTELLECTUAL PROPERTY RIGHT OF TI OR ANY THIRD PARTY IS GRANTED HEREIN, including but not limited to any patent right, copyright, mask work right, or other intellectual property right relating to any combination, machine, or process in which TI products or services are used. Information regarding or referencing third-party products or services does not constitute a license to use such products or services, or a warranty or endorsement thereof. Use of TI Resources may require a license from a third party under the patents or other intellectual property of the third party, or a license from TI under the patents or other intellectual property of TI.

TI RESOURCES ARE PROVIDED "AS IS" AND WITH ALL FAULTS. TI DISCLAIMS ALL OTHER WARRANTIES OR REPRESENTATIONS, EXPRESS OR IMPLIED, REGARDING RESOURCES OR USE THEREOF, INCLUDING BUT NOT LIMITED TO ACCURACY OR COMPLETENESS, TITLE, ANY EPIDEMIC FAILURE WARRANTY AND ANY IMPLIED WARRANTIES OF MERCHANTABILITY, FITNESS FOR A PARTICULAR PURPOSE, AND NON-INFRINGEMENT OF ANY THIRD PARTY INTELLECTUAL PROPERTY RIGHTS. TI SHALL NOT BE LIABLE FOR AND SHALL NOT DEFEND OR INDEMNIFY DESIGNER AGAINST ANY CLAIM, INCLUDING BUT NOT LIMITED TO ANY INFRINGEMENT CLAIM THAT RELATES TO OR IS BASED ON ANY COMBINATION OF PRODUCTS EVEN IF DESCRIBED IN TI RESOURCES OR OTHERWISE. IN NO EVENT SHALL TI BE LIABLE FOR ANY ACTUAL, DIRECT, SPECIAL, COLLATERAL, INDIRECT, PUNITIVE, INCIDENTAL, CONSEQUENTIAL OR EXEMPLARY DAMAGES IN CONNECTION WITH OR ARISING OUT OF TI RESOURCES OR USE THEREOF, AND REGARDLESS OF WHETHER TI HAS BEEN ADVISED OF THE POSSIBILITY OF SUCH DAMAGES.

Unless TI has explicitly designated an individual product as meeting the requirements of a particular industry standard (e.g., ISO/TS 16949 and ISO 26262), TI is not responsible for any failure to meet such industry standard requirements.

Where TI specifically promotes products as facilitating functional safety or as compliant with industry functional safety standards, such products are intended to help enable customers to design and create their own applications that meet applicable functional safety standards and requirements. Using products in an application does not by itself establish any safety features in the application. Designers must ensure compliance with safety-related requirements and standards applicable to their applications. Designer may not use any TI products in life-critical medical equipment unless authorized officers of the parties have executed a special contract specifically governing such use. Life-critical medical equipment is medical equipment where failure of such equipment would cause serious bodily injury or death (e.g., life support, pacemakers, defibrillators, heart pumps, neurostimulators, and implantables). Such equipment includes, without limitation, all medical devices identified by the U.S. Food and Drug Administration as Class III devices and equivalent classifications outside the U.S.

TI may expressly designate certain products as completing a particular qualification (e.g., Q100, Military Grade, or Enhanced Product). Designers agree that it has the necessary expertise to select the product with the appropriate qualification designation for their applications and that proper product selection is at Designers' own risk. Designers are solely responsible for compliance with all legal and regulatory requirements in connection with such selection.

Designer will fully indemnify TI and its representatives against any damages, costs, losses, and/or liabilities arising out of Designer's non-compliance with the terms and provisions of this Notice.