

# TPS65020 Power Management IC For Li-Ion or Li-Polymer Powered Systems

## 1 Features

- 1.2-A, 97% Efficient Step-Down Converter for System Voltage (VDCDC1)
- 1-A, Up to 95% Efficient Step-Down Converter for Memory Voltage (VDCDC2)
- 800-mA, 90% Efficient Step-Down Converter for Processor Core (VDCDC3)
- 20-mA LDO and Switch for Real-Time Clock (VRTC)
- 2 × 200-mA LDO for SRAM and PLL
- Dynamic Voltage Management for Processor Core
- Externally Adjustable Reset Delay Time
- Battery Backup Functionality
- Separate Enable Pins for Inductive Converters
- I<sup>2</sup>C-Compatible Serial Interface
- 85- $\mu$ A Quiescent Current
- Low Ripple PFM Mode
- Thermal Shutdown Protection
- Push-Button I/O

## 2 Applications

- PDAs
- Cellular and Smart Phones
- Internet Audio Players
- Digital Still Cameras
- Digital Radio Players
- Split-Supply TMS320™ DSP Family and  $\mu$ P Solutions: OMAP™1610, OMAP1710, OMAP330
- Intel® PXA270, and so Forth

## 3 Description

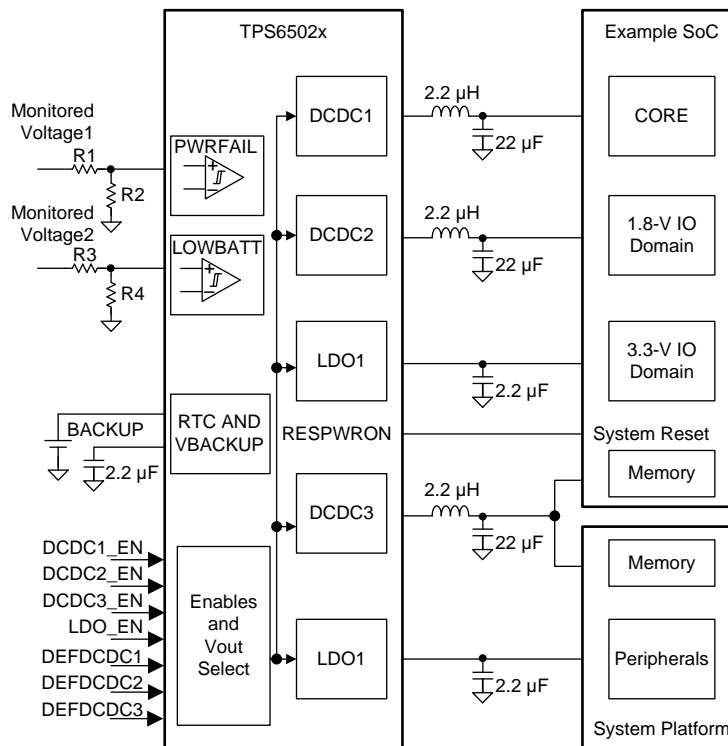
The TPS65020 device is an integrated power management IC for applications powered by one Li-Ion or Li-Polymer cell, and which requires multiple power rails.

### Device Information<sup>(1)</sup>

PART NUMBER	PACKAGE	BODY SIZE (NOM)
TPS65020	VQFN (40)	6.00 mm × 6.00 mm

(1) For all available packages, see the orderable addendum at the end of the data sheet.

### Simplified Schematic



## Table of Contents

<b>1 Features</b> .....	<b>1</b>	<b>8 Detailed Description</b> .....	<b>20</b>
<b>2 Applications</b> .....	<b>1</b>	8.1 Overview .....	20
<b>3 Description</b> .....	<b>1</b>	8.2 Functional Block Diagram .....	21
<b>4 Revision History</b> .....	<b>2</b>	8.3 Feature Description .....	22
<b>5 Description (continued)</b> .....	<b>3</b>	8.4 Device Functional Modes .....	26
<b>6 Pin Configuration and Functions</b> .....	<b>4</b>	8.5 Programming .....	27
<b>7 Specifications</b> .....	<b>6</b>	8.6 Register Maps .....	30
7.1 Absolute Maximum Ratings .....	6	<b>9 Application and Implementation</b> .....	<b>36</b>
7.2 ESD Ratings .....	6	9.1 Application Information .....	36
7.3 Recommended Operating Conditions .....	6	9.2 Typical Application .....	38
7.4 Thermal Information .....	7	<b>10 Power Supply Recommendations</b> .....	<b>43</b>
7.5 Electrical Characteristics .....	7	10.1 Requirements for Supply Voltages Below 3.0 V ...	43
7.6 Electrical Characteristics: Supply Pins VCC, VINDCDC1, VINDCDC2, VINDCDC3 .....	9	<b>11 Layout</b> .....	<b>44</b>
7.7 Electrical Characteristics: Supply Pins VBACKUP, VSYN, VRTC, VINLDO .....	9	11.1 Layout Guidelines .....	44
7.8 Electrical Characteristics: VDCDC1 Step-Down Converter .....	10	11.2 Layout Example .....	44
7.9 Electrical Characteristics: VDCDC2 Step-Down Converter .....	11	<b>12 Device and Documentation Support</b> .....	<b>45</b>
7.10 Electrical Characteristics: VDCDC3 Step-Down Converter .....	11	12.1 Device Support .....	45
7.11 Timing Requirements .....	12	12.2 Community Resources .....	45
7.12 Typical Characteristics .....	15	12.3 Trademarks .....	45
		12.4 Electrostatic Discharge Caution .....	45
		12.5 Glossary .....	45
		<b>13 Mechanical, Packaging, and Orderable Information</b> .....	<b>45</b>

## 4 Revision History

NOTE: Page numbers for previous revisions may differ from page numbers in the current version.

### Changes from Revision C (September 2011) to Revision D

Page

- Added *ESD Rating* table, *Thermal Information* table, *Feature Description* section, *Device Functional Modes*, *Application and Implementation* section, *Power Supply Recommendations* section, *Layout* section, *Device and Documentation Support* section, and *Mechanical, Packaging, and Orderable Information* section..... **1**

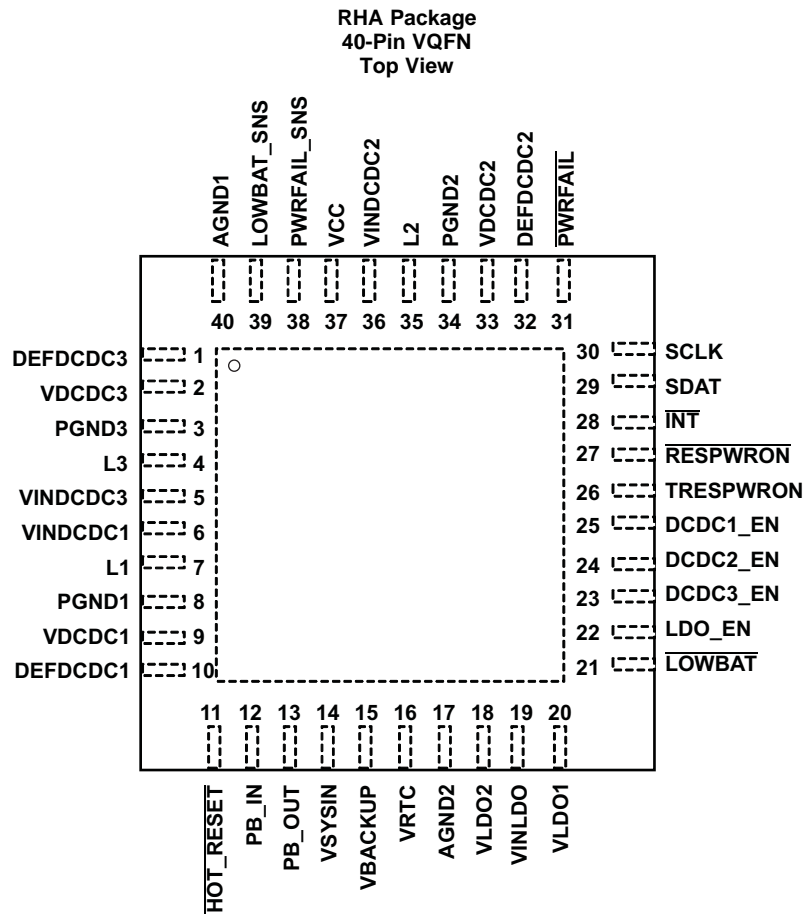
## 5 Description (continued)

The TPS65020 device provides three highly efficient, step-down converters targeted at providing the core voltage, peripheral, I/O, and memory rails in a processor-based system. All three step-down converters enter a low-power mode at light load for maximum efficiency across the widest possible range of load currents.

The TPS65020 device also integrates two 200-mA LDO voltage regulators, which are enabled with an external input pin. Each LDO operates with an input voltage range from 1.5 V to 6.5 V, thus allowing them to be supplied from one of the step-down converters or directly from the main battery. The two 200-mA LDO voltage regulators are intended for use with the SDRAM and PLL power supply in an Intel PXA270-based system. The serial interface is used for dynamic voltage scaling of the core voltage, masking interrupts, or for disabling or enabling and setting the LDO output voltages. The interface is compatible with both the fast and standard mode I<sup>2</sup>C specifications, allowing transfers at up to 400 kHz.

The TPS65020 incorporates a push-button debounced input and latched output for implementation of a push-button turnon feature, typically required in smart phones or wireless PDAs.

## 6 Pin Configuration and Functions



### Pin Functions

PIN		I/O	DESCRIPTION
NAME	NO.		
<b>SWITCHING REGULATOR SECTION</b>			
AGND1	40		Analog ground connection. All analog ground pins are connected internally on the chip.
AGND2	17		Analog ground connection. All analog ground pins are connected internally on the chip.
DEFDCDC1	10	I	Input signal indicating default VDCDC1 voltage, 0 = 3 V, 1 = 3.3 V This pin can also be connected to a resistor divider between VDCDC1 and GND. If the output voltage of the DCDC1 converter is set in a range from 0.6 V to VINDCDC1 V
DEFDCDC2	32	I	Input signal indicating default VDCDC2 voltage, 0 = 1.8 V, 1 = 2.5 V This pin can also be connected to a resistor divider between VDCDC2 and GND. If the output voltage of the DCDC2 converter is set in a range from 0.6 V to VINDCDC2 V
DEFDCDC3	1	I	Input signal indicating default VDCDC3 voltage, 0 = 1.3 V, 1 = 1.55 V This pin can also be connected to a resistor divider between VDCDC3 and GND. If the output voltage of the DCDC3 converter is set in a range from 0.6 V to VINDCDC3 V
DCDC1_EN	25	I	VDCDC1 enable pin. A logic high enables the regulator, a logic low disables the regulator.
DCDC2_EN	24	I	VDCDC2 enable pin. A logic high enables the regulator, a logic low disables the regulator.
DCDC3_EN	23	I	VDCDC3 enable pin. A logic high enables the regulator, a logic low disables the regulator.
L1	7		Switch pin of VDCDC1 converter. The VDCDC1 inductor is connected here.
L2	35		Switch pin of VDCDC2 converter. The VDCDC2 inductor is connected here.
L3	4		Switch pin of VDCDC3 converter. The VDCDC3 inductor is connected here.
PGND1	8		Power ground for VDCDC1 converter

**Pin Functions (continued)**

PIN		I/O	DESCRIPTION
NAME	NO.		
PGND2	34		Power ground for VDCDC2 converter
PGND3	3		Power ground for VDCDC3 converter
PowerPAD™	–		Connect the power pad to analog ground
VCC	37	I	Power supply for digital and analog circuitry of VDCDC1, VDCDC2, and VDCDC3 DC-DC converters. This must be connected to the same voltage supply as VINDCDC3, VINDCDC1, and VINDCDC2. Also supplies serial interface block
VDCDC1	9	I	VDCDC1 feedback voltage sense input, connect directly to VDCDC1
VDCDC2	33	I	VDCDC2 feedback voltage sense input, connect directly to VDCDC2
VDCDC3	2	I	VDCDC3 feedback voltage sense input, connect directly to VDCDC3
VINDCDC1	6	I	Input voltage for VDCDC1 step-down converter. This must be connected to the same voltage supply as VINDCDC2, VINDCDC3, and VCC.
VINDCDC2	36	I	Input voltage for VDCDC2 step-down converter. This must be connected to the same voltage supply as VINDCDC1, VINDCDC3, and VCC.
VINDCDC3	5	I	Input voltage for VDCDC3 step-down converter. This must be connected to the same voltage supply as VINDCDC1, VINDCDC2, and VCC.
<b>LDO REGULATOR SECTION</b>			
LDO_EN	22	I	Enable input for LDO1 and LDO2. Logic high enables the LDOs, logic low disables the LDOs
VBACKUP	15	I	Connect the backup battery to this input pin.
VINLDO	19	I	I Input voltage for LDO1 and LDO2
VLDO1	20	O	Output voltage of LDO1
VLDO2	18	O	Output voltage of LDO2
VRTC	16	O	Output voltage of the LDO and switch for the real time clock
VSYSIN	14	I	Input of system voltage for VRTC switch
<b>CONTROL AND I<sup>2</sup>C SECTION</b>			
$\overline{\text{HOT\_RESET}}$	11	I	Push button input used to reboot or wake-up processor through the $\overline{\text{RESPWRON}}$ output pin
$\overline{\text{INT}}$	28	O	Open-drain output
$\overline{\text{LOW\_BAT}}$	21	O	Open-drain output of LOW_BAT comparator
LOWBAT_SNS	39	I	Input for the comparator driving the $\overline{\text{LOW\_BAT}}$ output
PB_IN	12	I/O	Push button input debounced and output fed to latch at PB_OUT
PB_OUT	13	I/O	Open-drain output of latch driven by PB_IN. Low after power up.
$\overline{\text{PWRFAIL}}$	31	O	Open-drain output. Active-low when $\overline{\text{PWRFAIL}}$ comparator indicates low VBAT condition.
PWRFAIL_SNS	38	I	Input for the comparator driving the $\overline{\text{PWRFAIL}}$ output
$\overline{\text{RESPWRON}}$	27	O	Open-drain System reset output
SCLK	30	I	Serial interface clock line
SDAT	29	I/O	Serial interface data and address
TRESPWRON	26	I	Connect the timing capacitor to this pin to set the reset delay time: 1 nF → 100 ms

## 7 Specifications

### 7.1 Absolute Maximum Ratings

 over operating free-air temperature range (unless otherwise noted)<sup>(1)</sup>

		MIN	MAX	UNIT
$V_I$	Input voltage on all pins except AGND and PGND pins with respect to AGND	-0.3	7	V
	Current at VINDCDC1, L1, PGND1, VINDCDC2, L2, PGND2, VINDCDC3, L3, PGND3		2000	mA
	Peak current at all other pins		1000	mA
$T_A$	Operating free-air temperature	-40	85	°C
$T_J$	Maximum junction temperature		125	°C
$T_{stg}$	Storage temperature	-65	150	°C

- (1) Stresses beyond those listed under *Absolute Maximum Ratings* may cause permanent damage to the device. These are stress ratings only, which do not imply functional operation of the device at these or any other conditions beyond those indicated under *Recommended Operating Conditions*. Exposure to absolute-maximum-rated conditions for extended periods may affect device reliability.

### 7.2 ESD Ratings

		VALUE	UNIT
$V_{(ESD)}$	Electrostatic discharge		
	Human-body model (HBM), per ANSI/ESDA/JEDEC JS-001 <sup>(1)</sup>	±2000	V
	Charged-device model (CDM), per JEDEC specification JESD22-C101 <sup>(2)</sup>	±500	

- (1) JEDEC document JEP155 states that 500-V HBM allows safe manufacturing with a standard ESD control process.

- (2) JEDEC document JEP157 states that 250-V CDM allows safe manufacturing with a standard ESD control process.

### 7.3 Recommended Operating Conditions

over operating free-air temperature range (unless otherwise noted)

		MIN	NOM	MAX	UNIT
$V_{CC}$	Input voltage step-down convertors and VCC pin (VINDCDC1, VINDCDC2, VINDCDC3, VCC); pins must be tied to the same voltage rail	2.5		6	V
$V_O$	Output voltage for VDCDC1 step-down convertor <sup>(1)</sup>	0.6		VINDCDC1	V
	Output voltage for VDCDC2 step-down convertor <sup>(1)</sup>	0.6		VINDCDC2	
	Output voltage for VDCDC3 (core) step-down convertor <sup>(1)</sup>	0.6		VINDCDC3	
$V_I$	Input voltage for LDOs (VINLDO1, VINLDO2)	1.5		6.5	V
$V_O$	Output voltage for LDOs (VLDO1, VLDO2)	1		VINLDO1-2	V
$I_{O(DCDC1)}$	Output current at L1			1200	mA
	Inductor at L1 <sup>(2)</sup>	2.2	3.3		
$C_{I(DCDC1)}$	Input capacitor at $V_{I(DCDC1)}$ <sup>(2)</sup>	10			µF
$C_{O(DCDC1)}$	Output capacitor at VDCDC1 <sup>(2)</sup>	10	22		µF
$I_{O(DCDC2)}$	Output current at L2			1000	mA
	Inductor at L2 <sup>(2)</sup>	2.2	3.3		
$C_{I(DCDC2)}$	Input capacitor at VDCDC2 <sup>(2)</sup>	10			µF
$C_{O(DCDC2)}$	Output capacitor at VDCDC2 <sup>(2)</sup>	10	22		µF
$I_{O(DCDC3)}$	Output current at L3			800	mA
	Inductor at L3 <sup>(2)</sup>	2.2	3.3		
$C_{I(DCDC3)}$	Input capacitor at VDCDC3 <sup>(2)</sup>	10			µF
$C_{O(DCDC3)}$	Output capacitor at VDCDC3 <sup>(2)</sup>	10	22		µF
$C_{I(VCC)}$	Input capacitor at VCC <sup>(2)</sup>	1			µF
$C_{I(VINLDO)}$	Input capacitor at VINLDO <sup>(2)</sup>	1			µF
$C_{O(VLDO1-2)}$	Output capacitor at VLDO1, VLDO2 <sup>(2)</sup>	2.2			µF
$I_{O(VLDO1-2)}$	Output current at VLDO1, VLDO2			200	mA

- (1) When using an external resistor divider at DEFDCDC3, DEFDCDC2, DEFDCDC1

- (2) See [Application and Implementation](#) for more information.

## Recommended Operating Conditions (continued)

over operating free-air temperature range (unless otherwise noted)

		MIN	NOM	MAX	UNIT
$C_{O(VRTC)}$	Output capacitor at VRTC <sup>(2)</sup>	4.7			μF
$T_A$	Operating ambient temperature	–40		85	°C
$T_J$	Operating junction temperature	–40		125	°C
	Resistor from VINDCDC3, VINDCDC2, VINDCDC1 to VCC used for filtering <sup>(3)</sup>		1	10	Ω

(3) Up to 3 mA can flow into VCC when all 3 converters are running in PWM. This resistor causes the UVLO threshold to be shifted accordingly.

## 7.4 Thermal Information

THERMAL METRIC <sup>(1)</sup>		TPS65020		UNIT
		RHA (VQFN)		
		40 PINS		
$R_{\theta JA}$	Junction-to-ambient thermal resistance	31.6		°C/W
$R_{\theta JC(top)}$	Junction-to-case (top) thermal resistance	18.2		°C/W
$R_{\theta JB}$	Junction-to-board thermal resistance	6.6		°C/W
$\Psi_{JT}$	Junction-to-top characterization parameter	0.2		°C/W
$\Psi_{JB}$	Junction-to-board characterization parameter	6.5		°C/W
$R_{\theta JC(bot)}$	Junction-to-case (bottom) thermal resistance	1.7		°C/W

(1) For more information about traditional and new thermal metrics, see the *Semiconductor and IC Package Thermal Metrics* application report, [SPRA953](#).

## 7.5 Electrical Characteristics

VINDCDC1 = VINDCDC2 = VINDCDC3 = VCC = VINLDO = 3.6 V, VBACKUP = 3 V,  $T_A$  = –40°C to 85°C (unless otherwise noted)

PARAMETER	TEST CONDITIONS	MIN	TYP <sup>(1)</sup>	MAX	UNIT		
<b>CONTROL SIGNALS: SCLK, SDAT (INPUT), DCDC1_EN, DCDC2_EN, DCDC3_EN, LDO_EN</b>							
$V_{IH}$	High level input voltage	Rpullup = 4.7 kΩ, pulled to VRTC		$V_{CC}$	V		
$V_{IL}$	Low level input voltage	Rpullup = 4.7 kΩ, pulled to VRTC		0.4	V		
$I_H$	Input bias current		0.01	0.1	μA		
<b>CONTROL SIGNALS: <math>\overline{HOT\_RESET}</math></b>							
$V_{IH}$	High level input voltage			$V_{CC}$	V		
$V_{IL}$	Low level input voltage			0.4	V		
	Pullup resistor at $\overline{HOT\_RESET}$ , connected to VCC	1000			kΩ		
$t_{degitch}$	Deglitch time at $\overline{HOT\_RESET}$	25	30	35	ms		
<b>CONTROL SIGNALS: <math>\overline{LOWBAT}</math>, <math>\overline{PWRFAIL}</math>, <math>\overline{RESPWRON}</math>, <math>\overline{INT}</math>, SDAT (OUTPUT)</b>							
$V_{OH}$	High level output voltage			6	V		
$V_{OL}$	Low level output voltage	$I_{IL} = 5$ mA		0.3	V		
	Duration of low pulse at $\overline{RESPWRON}$	External capacitor 1 nF		100	ms		
ICONST	Internal charge / discharge current on pin TRESPWRON	Used for generating $\overline{RESPWRON}$ delay		1.7	2	2.3	μA
TRESPWRON_LOWTH	Internal lower comparator threshold on pin TRESPWRON	Used for generating $\overline{RESPWRON}$ delay		0.225	0.25	0.275	V
TRESPWRON_UPTH	Internal upper comparator threshold on pin TRESPWRON	Used for generating $\overline{RESPWRON}$ delay		0.97	1	1.103	V
	Resetpwrn threshold VRTC falling	–3%	2.4	3%	V		
	Resetpwrn threshold VRTC rising	–3%	2.52	3%	V		

(1) Typical values are at  $T_A = 25^\circ\text{C}$

**Electrical Characteristics (continued)**

VINDCDC1 = VINDCDC2 = VINDCDC3 = VCC = VINLDO = 3.6 V, VBACKUP = 3 V, T<sub>A</sub> = –40°C to 85°C (unless otherwise noted)

PARAMETER		TEST CONDITIONS	MIN	TYP <sup>(1)</sup>	MAX	UNIT
I <sub>LK</sub>	Leakage current	Output inactive high			0.1	μA
<b>VLDO1 AND VLDO2 LOW-DROPOUT REGULATORS</b>						
V <sub>I</sub>	Input voltage range for LDO1, 2		1.5		6.5	V
V <sub>O</sub>	LDO1 output voltage range		1		3.3	V
V <sub>O</sub>	LDO2 output voltage range		1		3.3	V
I <sub>O</sub>	Maximum output current for LDO1, LDO2		200			mA
I <sub>(sc)</sub>	LDO1 and LDO2 short-circuit Current limit	VLDO1 = GND, VLDO2 = GND			400	mA
	Minimum voltage drop at LDO1, LDO2	I <sub>O</sub> = 50 mA, VINLDO = 1.8 V			120	mV
		I <sub>O</sub> = 50 mA, VINLDO = 1.5 V	65		150	
		I <sub>O</sub> = 200 mA, VINLDO = 1.8 V			300	
	Output voltage accuracy for LDO1, LDO2	I <sub>O</sub> = 10 mA	–2%		1%	
	Line regulation for LDO1, LDO2	VINLDO1,2 = VLDO1, 2 + 0.5 V (min. 2.5 V) to 6.5 V, I <sub>O</sub> = 10 mA	–1%		1%	
	Load regulation for LDO1, LDO2	I <sub>O</sub> = 0 mA to 50 mA	–1%		1%	
	Regulation time for LDO1, LDO2	Load change from 10% to 90%		10		μs
<b>ANALOGIC SIGNALS DEFDCDC1, DEFDCDC2, DEFDCDC3</b>						
V <sub>IH</sub>	High level input voltage		1.3		V <sub>CC</sub>	V
V <sub>IL</sub>	Low level input voltage		0		0.1	V
I <sub>H</sub>	Input bias current		0.001		0.05	μA
<b>LOGIC SIGNALS PB_IN; PB_OUT</b>						
V <sub>OL</sub>	Low level output voltage at PB_OUT	I <sub>OL</sub> = 20 mA			0.5	V
V <sub>OH</sub>	High level output voltage PB_OUT				6	V
V <sub>IL</sub>	Low level input voltage PB_IN				0.4	V
V <sub>IH</sub>	High level input voltage PB_IN		1.3		V <sub>CC</sub> <sup>(2)</sup>	V
	II Input leakage current PB_IN				1	μA
<b>THERMAL SHUTDOWN</b>						
T <sub>(SD)</sub>	Thermal shutdown	Increasing junction temperature		160		°C
	Thermal shutdown hysteresis	Decreasing junction temperature		20		°C
<b>INTERNAL UNDERVOLTAGE LOCK OUT</b>						
UVLO	Internal UVLO	V <sub>CC</sub> falling	–2%	2.35	2%	V
V <sub>(UVLO_HYST)</sub>	Internal UVLO comparator hysteresis			120		mV
<b>VOLTAGE DETECTOR COMPARATORS</b>						
	Comparator threshold (PWRFAIL_SNS, LOWBAT_SNS)	Falling threshold	–1%	1.0	1%	V
	Hysteresis		40	50	60	mV
	Propagation delay	25-mV overdrive			10	μs
<b>POWER-GOOD</b>						
V <sub>(PGOODF)</sub>		VDCDC1, VDCDC2, VDCDC3, VLDO1, VLDO2, decreasing	–12%	–10%	–8%	
V <sub>(PGOODR)</sub>		VDCDC1, VDCDC2, VDCDC3, VLDO1, VLDO2, increasing	–7%	–5%	–3%	

(2) The input voltage can go as high as 6 V. If the input voltage exceeds V<sub>CC</sub>, an input current of (V<sub>(PB\_IN)</sub> – 0.7 V – V<sub>CC</sub>) / 10 kΩ flows.



## 7.6 Electrical Characteristics: Supply Pins VCC, VINDCDC1, VINDCDC2, VINDCDC3

VINDCDC1 = VINDCDC2 = VINDCDC3 = VCC = VINLDO = 3.6 V, VBACKUP = 3 V, T<sub>A</sub> = –40°C to 85°C (unless otherwise noted)

PARAMETER		TEST CONDITIONS	MIN	TYP <sup>(1)</sup>	MAX	UNIT
I <sub>(qPFM)</sub>	Operating quiescent current, PFM	All 3 DCDC converters enabled, zero load and no switching, LDOs enabled	V <sub>CC</sub> = 3.6 V, VBACKUP = 3 V; V <sub>(VSY SIN)</sub> = 0 V	85	100	μA
		All 3 DCDC converters enabled, zero load and no switching, LDOs enabled	V <sub>CC</sub> = 3.6 V, VBACKUP = 3 V; V <sub>(VSY SIN)</sub> = 0 V	78	90	
		DCDC1 and DCDC2 converters enabled, zero load and no switching, LDOs off	V <sub>CC</sub> = 3.6 V, VBACKUP = 3 V; V <sub>(VSY SIN)</sub> = 0 V	57	70	
		DCDC1 converter enabled, zero load and no switching, LDOs off	V <sub>CC</sub> = 3.6 V, VBACKUP = 3 V; V <sub>(VSY SIN)</sub> = 0 V	43	55	
I <sub>I</sub>	Current into VCC; PWM	All 3 DCDC converters enabled and running in PWM, LDOs off	V <sub>CC</sub> = 3.6 V, VBACKUP = 3 V; V <sub>(VSY SIN)</sub> = 0 V	2	3	mA
		DCDC1 and DCDC2 converters enabled and running in PWM, LDOs off	V <sub>CC</sub> = 3.6 V, VBACKUP = 3 V; V <sub>(VSY SIN)</sub> = 0 V	1.5	2.5	
		DCDC1 converter enabled and running in PWM, LDOs off	V <sub>CC</sub> = 3.6 V, VBACKUP = 3 V; V <sub>(VSY SIN)</sub> = 0 V	0.85	2	
I <sub>(q)</sub>	Quiescent current	All converters disabled, LDOs off	V <sub>CC</sub> = 3.6 V, VBACKUP = 3 V; V <sub>(VSY SIN)</sub> = 0 V	23	33	μA
		All converters disabled, LDOs off	V <sub>CC</sub> = 2.6 V, VBACKUP = 3 V; V <sub>(VSY SIN)</sub> = 0 V	3.5	5	
		All converters disabled, LDOs off	V <sub>CC</sub> = 3.6 V, VBACKUP = 0 V; V <sub>(VSY SIN)</sub> = 0 V		43	

(1) Typical values are at T<sub>A</sub> = 25°C

## 7.7 Electrical Characteristics: Supply Pins VBACKUP, VSY SIN, VRTC, VINLDO

VINDCDC1 = VINDCDC2 = VINDCDC3 = VCC = VINLDO = 3.6 V, VBACKUP = 3 V, T<sub>A</sub> = –40°C to 85°C (unless otherwise noted)

PARAMETER		TEST CONDITIONS	MIN	TYP <sup>(1)</sup>	MAX	UNIT
<b>VBACKUP, VSY SIN, VRTC</b>						
I <sub>(q)</sub>	Operating quiescent current	VBACKUP = 3 V, VSY SIN = 0 V; V <sub>CC</sub> = 2.6 V, current into VBACKUP		20	33	μA
I <sub>(SD)</sub>	Operating quiescent current	VBACKUP < V <sub>-</sub> VBACKUP, current into VBACKUP		2	3	μA
	VRTC LDO output voltage	VSY SIN = VBACKUP = 0 V, I <sub>O</sub> = 0 mA		3		V
I <sub>O</sub>	Output current for VRTC	VSY SIN < 2.57 V and VBACKUP < 2.57 V			20	mA
	VRTC short-circuit current limit	VRTC = GND; VSY SIN = VBACKUP = 0 V			100	mA
	Maximum output current at VRTC for RESPWRON = 1	VRTC > 2.6 V, V <sub>CC</sub> = 3 V; VSY SIN = VBACKUP = 0 V		30		mA
V <sub>O</sub>	Output voltage accuracy for VRTC	VSY SIN = VBACKUP = 0 V; I <sub>O</sub> = 0 mA			±1%	
	Line regulation for VRTC	V <sub>CC</sub> = VRTC + 0.5 V to 6.5 V, I <sub>O</sub> = 5 mA			±1%	
	Load regulation VRTC	I <sub>O</sub> = 1 mA to 20 mA; VSY SIN = VBACKUP = 0 V			±2%	
	Regulation time for VRTC	Load change from 10% to 90%		10		μs
I <sub>lkg</sub>	Input leakage current at VSY SIN	VSY SIN < V <sub>-</sub> VSY SIN			2	μA
	r <sub>DS(on)</sub> of VSY SIN switch				12.5	Ω
	r <sub>DS(on)</sub> of VBACKUP switch				12.5	Ω
	Input voltage range at VBACKUP <sup>(2)</sup>		2.73		3.75	V
	Input voltage range at VSY SIN <sup>(2)</sup>		2.73		3.75	V

(1) Typical values are at T<sub>A</sub> = 25°C

(2) Based on the requirements for the Intel PXA270 processor.

**Electrical Characteristics: Supply Pins VBACKUP, VSYSIN, VRTC, VINLDO (continued)**

VINDCDC1 = VINDCDC2 = VINDCDC3 = VCC = VINLDO = 3.6 V, VBACKUP = 3 V, T<sub>A</sub> = –40°C to 85°C (unless otherwise noted)

PARAMETER		TEST CONDITIONS	MIN	TYP <sup>(1)</sup>	MAX	UNIT
	VSYSIN threshold	VSYSIN falling	–3%	2.55	3%	V
	VSYSIN threshold	VSYSIN rising	–3%	2.65	3%	V
	VBACKUP threshold	VBACKUP falling	–3%	2.55	3%	V
	VBACKUP threshold	VBACKUP falling	–3%	2.65	3%	V
<b>VINLDO</b>						
I <sub>(q)</sub>	Operating quiescent current	Current per LDO into VINLDO		16	30	μA
I <sub>(SD)</sub>	Shutdown current	Total current for both LDOs into VINLDO, VLDO = 0 V		0.1	1	μA

**7.8 Electrical Characteristics: VDCDC1 Step-Down Converter**

VINDCDC1 = VINDCDC2 = VINDCDC3 = VCC = VINLDO = 3.6 V, VBACKUP = 3 V, T<sub>A</sub> = –40°C to 85°C (unless otherwise noted)

PARAMETER		TEST CONDITIONS	MIN	TYP <sup>(1)</sup>	MAX	UNIT
V <sub>I</sub>	Input voltage range, VINDCDC1		2.5		6	V
I <sub>O</sub>	Maximum output current		1200			mA
I <sub>(SD)</sub>	Shutdown supply current in VINDCDC1	DCDC1_EN = GND		0.1	1	μA
r <sub>DS(on)</sub>	P-channel MOSFET on-resistance	VINDCDC1 = V <sub>(GS)</sub> = 3.6 V		125	261	mΩ
I <sub>lkg</sub>	P-channel leakage current	VINDCDC1 = 6 V			2	μA
r <sub>DS(on)</sub>	N-channel MOSFET on-resistance	VINDCDC1 = V <sub>(GS)</sub> = 3.6 V		130	260	mΩ
I <sub>lkg</sub>	N-channel leakage current	V <sub>(DS)</sub> = 6 V		7	10	μA
	Forward current limit (P- and N-channel)	2.5 V < V <sub>I(MAIN)</sub> < 6 V	1.55	1.75	1.95	A
f <sub>S</sub>	Oscillator frequency		1.3	1.5	1.7	MHz
Fixed output voltage FPWMDCDC1=0	3 V	VINDCDC1 = 3.3 V to 6 V; 0 mA ≤ I <sub>O</sub> ≤ 1.2 A	–2%		2%	
	3.3 V	VINDCDC1 = 3.6 V to 6 V; 0 mA ≤ I <sub>O</sub> ≤ 1.2 A	–2%		2%	
Fixed output voltage FPWMDCDC1=1	3 V	VINDCDC1 = 3.3 V to 6 V; 0 mA ≤ I <sub>O</sub> ≤ 1.2 A	–1%		1%	
	3.3 V	VINDCDC1 = 3.6 V to 6 V; 0 mA ≤ I <sub>O</sub> ≤ 1.2 A	–1%		1%	
	Adjustable output voltage with resistor divider at DEFDCDC1 FPWMDCDC1=0	VINDCDC1 = VDCDC1 +0.3 V (min 2.5 V) to 6 V; 0 mA ≤ I <sub>O</sub> ≤ 1.2 A	–2%		2%	
	Adjustable output voltage with resistor divider at DEFDCDC1; FPWMDCDC1=1	VINDCDC1 = VDCDC1 +0.3 V (min 2.5 V) to 6 V; 0 mA ≤ I <sub>O</sub> ≤ 1.2 A	–1%		1%	
	Line Regulation	VINDCDC1 = VDCDC1 + 0.3 V (min. 2.5 V) to 6 V; I <sub>O</sub> = 10 mA		0%		V
	Load Regulation	I <sub>O</sub> = 10 mA to 1200 mA		0.25%		A
	Soft-start ramp time	VDCDC1 ramping from 5% to 95% of target value		750		μs
	Internal resistance from L1 to GND			1		MΩ
	VDCDC1 discharge resistance			300		Ω

(1) Typical values are at T<sub>A</sub> = 25°C

## 7.9 Electrical Characteristics: VDCDC2 Step-Down Converter

VINDCDC1 = VINDCDC2 = VINDCDC3 = VCC = VINLDO = 3.6 V, VBACKUP = 3 V, T<sub>A</sub> = –40°C to 85°C (unless otherwise noted)

PARAMETER		TEST CONDITIONS	MIN	TYP <sup>(1)</sup>	MAX	UNIT
V <sub>I</sub>	Input voltage range, VINDCDC2		2.5		6	V
I <sub>O</sub>	Maximum output current		1000			mA
I <sub>(SD)</sub>	Shutdown supply current in VINDCDC2	DCDC2_EN = GND		0.1	1	μA
r <sub>DS(on)</sub>	P-channel MOSFET on-resistance	VINDCDC2 = V <sub>(GS)</sub> = 3.6 V		140	300	mΩ
I <sub>lkg</sub>	P-channel leakage current	VINDCDC2 = 6 V			2	μA
r <sub>DS(on)</sub>	N-channel MOSFET on-resistance	VINDCDC2 = V <sub>(GS)</sub> = 3.6 V		150	297	mΩ
I <sub>lkg</sub>	N-channel leakage current	V <sub>(DS)</sub> = 6 V		7	10	μA
I <sub>LIMF</sub>	Forward current limit (P- and N-channel)	2.5 V < VINDCDC2 < 6 V	1.4	1.55	1.7	A
f <sub>S</sub>	Oscillator frequency		1.3	1.5	1.7	MHz
Fixed output voltage FPWMDCDC2=0	1.8 V	VINDCDC2 = 2.5 V to 6 V; 0 mA ≤ I <sub>O</sub> ≤ 1 A	–2%		2%	
	2.5 V	VINDCDC2 = 2.8 V to 6 V; 0 mA ≤ I <sub>O</sub> ≤ 1 A	–2%		2%	
Fixed output voltage FPWMDCDC2=1	1.8 V	VINDCDC2 = 2.5 V to 6 V; 0 mA ≤ I <sub>O</sub> ≤ 1 A	–2%		2%	
	2.5 V	VINDCDC2 = 2.8 V to 6 V; 0 mA ≤ I <sub>O</sub> ≤ 1 A	–1%		1%	
Adjustable output voltage with resistor divider at DEFDCDC2 FPWMDCDC2=0		VINDCDC2 = VDCDC2 + 0.3 V (min 2.5 V) to 6 V; 0 mA ≤ I <sub>O</sub> ≤ 1 A	–2%		2%	
Adjustable output voltage with resistor divider at DEFDCDC2; FPWMDCDC2=1		VINDCDC2 = VDCDC2 + 0.3 V (min 2.5 V) to 6 V; 0 mA ≤ I <sub>O</sub> ≤ 1 A	–1%		1%	
Line Regulation		VINDCDC2 = VDCDC2 + 0.3 V (min. 2.5 V) to 6 V; I <sub>O</sub> = 10 mA		0%		V
Load Regulation		I <sub>O</sub> = 10 mA to 1 mA		0.25%		A
Soft-start ramp time		VDCDC2 ramping from 5% to 95% of target value		750		μs
Internal resistance from L2 to GND				1		MΩ
VDCDC2 discharge resistance				300		Ω

(1) Typical values are at T<sub>A</sub> = 25°C

## 7.10 Electrical Characteristics: VDCDC3 Step-Down Converter

VINDCDC1 = VINDCDC2 = VINDCDC3 = VCC = VINLDO = 3.6 V, VBACKUP = 3 V, T<sub>A</sub> = –40°C to 85°C (unless otherwise noted)

PARAMETER		TEST CONDITIONS	MIN	TYP <sup>(1)</sup>	MAX	UNIT
V <sub>I</sub>	Input voltage range, VINDCDC3		2.5		6	V
I <sub>O</sub>	Maximum output current		800			mA
I <sub>(SD)</sub>	Shutdown supply current in VINDCDC3	DCDC3_EN = GND		0.1	1	μA
r <sub>DS(on)</sub>	P-channel MOSFET on-resistance	VINDCDC3 = V <sub>(GS)</sub> = 3.6 V		310	698	mΩ
I <sub>lkg</sub>	P-channel leakage current	VINDCDC3 = 6 V		0.1	2	μA
r <sub>DS(on)</sub>	N-channel MOSFET on-resistance	VINDCDC3 = V <sub>(GS)</sub> = 3.6 V		220	503	mΩ
I <sub>lkg</sub>	N-channel leakage current	V <sub>(DS)</sub> = 6 V		7	10	μA
Forward current limit (P- and N-channel)		2.5 V < VINDCDC3 < 6 V	1.05	1.2	1.35	A
f <sub>S</sub>	Oscillator frequency		1.3	1.5	1.7	MHz
Fixed output voltage FPWMDCDC3=0	All VDCDC3	VINDCDC3 = 2.5 V to 6 V; 0 mA ≤ I <sub>O</sub> ≤ 600 mA	–2%		2%	
		VINDCDC3 = 2.5 V to 6 V; 0 mA ≤ I <sub>O</sub> ≤ 600 mA	–1%		1%	

(1) Typical values are at T<sub>A</sub> = 25°C

### Electrical Characteristics: VDCDC3 Step-Down Converter (continued)

VINDCDC1 = VINDCDC2 = VINDCDC3 = VCC = VINLDO = 3.6 V, VBACKUP = 3 V, T<sub>A</sub> = -40°C to 85°C (unless otherwise noted)

PARAMETER		TEST CONDITIONS	MIN	TYP <sup>(1)</sup>	MAX	UNIT
	Adjustable output voltage with resistor divider at DEFDCDC3 FPWMDCDC3=0	VINDCDC3 = VDCDC3 + 0.4 V (min 2.5 V) to 6 V; 0 mA ≤ I <sub>O</sub> ≤ 600 mA	-2%		2%	
	Adjustable output voltage with resistor divider at DEFDCDC3; FPWMDCDC3=1	VINDCDC3 = VDCDC3 + 0.4 V (min 2.5 V) to 6 V; 0 mA ≤ I <sub>O</sub> ≤ 600 mA	-1%		1%	
Line Regulation		VINDCDC3 = VDCDC3 + 0.3 V (min. 2.5 V) to 6 V; I <sub>O</sub> = 10 mA		0%		V
Load Regulation		I <sub>O</sub> = 10 mA to 400 mA		0.25%		A
Soft-start ramp time		VDCDC3 ramping from 5% to 95% of target value		750		μs
Internal resistance from L3 to GND				1		MΩ
VDCDC3 discharge resistance				300		Ω

### 7.11 Timing Requirements

over operating free-air temperature range (unless otherwise noted)

		MIN	MAX	UNIT
f <sub>MAX</sub>	Clock frequency		400	kHz
t <sub>WH(HIGH)</sub>	Clock high time	600		ns
t <sub>WL(LOW)</sub>	Clock low time	1300		ns
t <sub>R</sub>	DATA and CLK rise time		300	ns
t <sub>F</sub>	DATA and CLK fall time		300	ns
t <sub>H(STA)</sub>	Hold time (repeated) START condition (after this period the first clock pulse is generated)	600		ns
t <sub>H(DATA)</sub>	Setup time for repeated START condition	600		ns
t <sub>H(DATA)</sub>	Data input hold time	300		ns
t <sub>SU(DATA)</sub>	Data input setup time	300		ns
t <sub>SU(STO)</sub>	STOP condition setup time	600		ns
t <sub>(BUF)</sub>	Bus free time	1300		ns

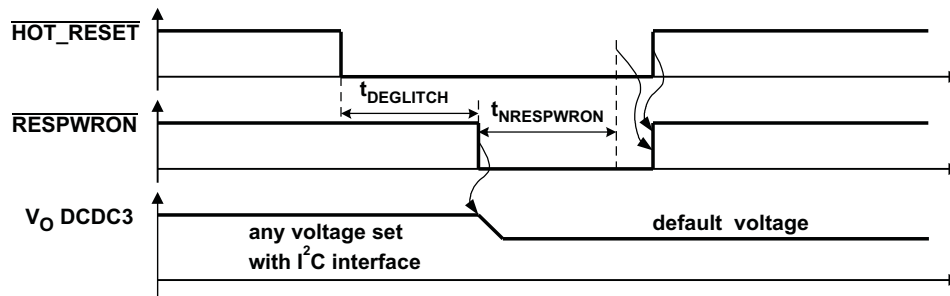


Figure 1. HOT\_RESET Timing

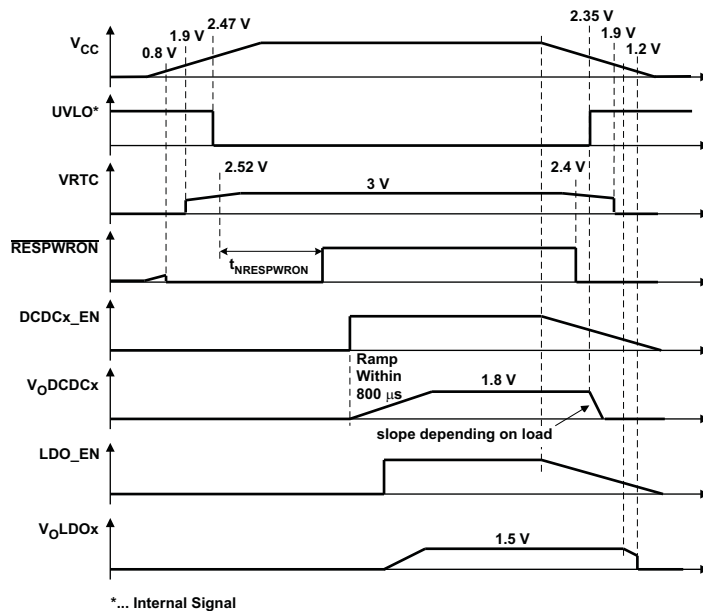


Figure 2. Power-Up and Power-Down Timing

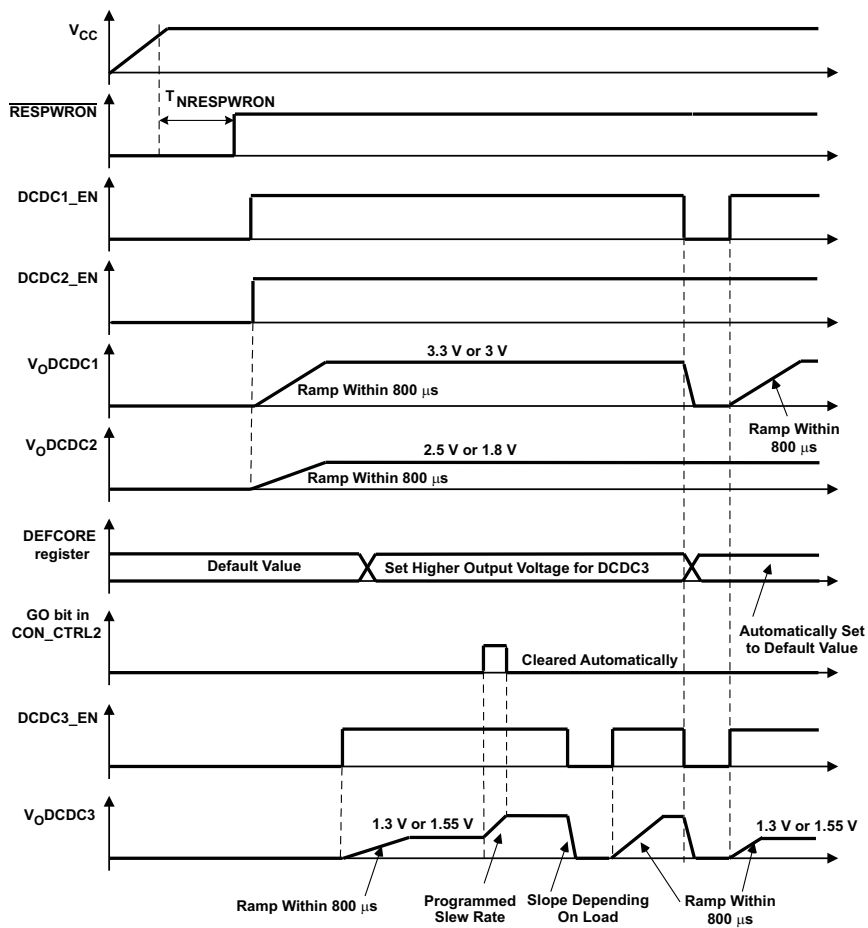


Figure 3. DVS Timing

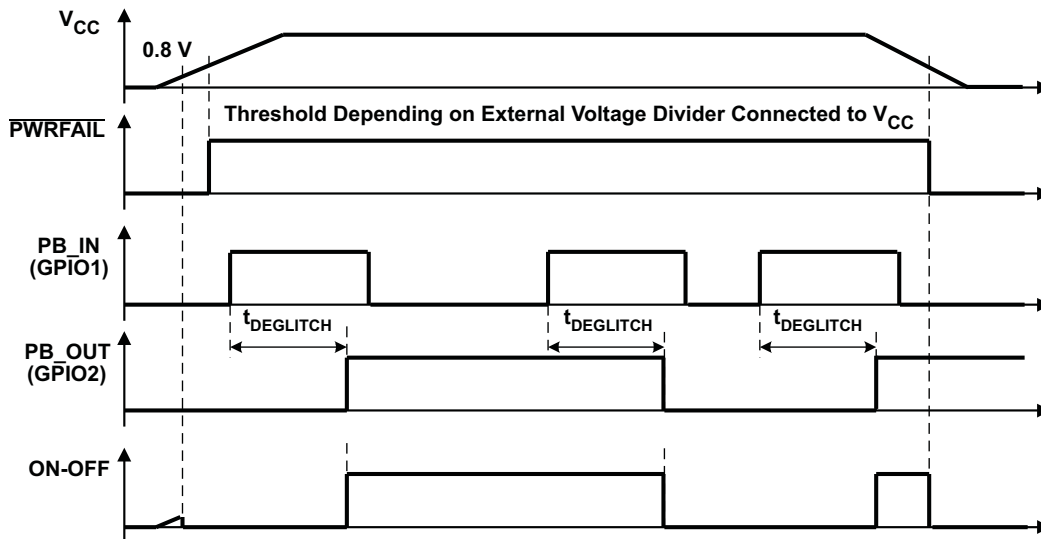


Figure 4. PB-ON-OFF Timing

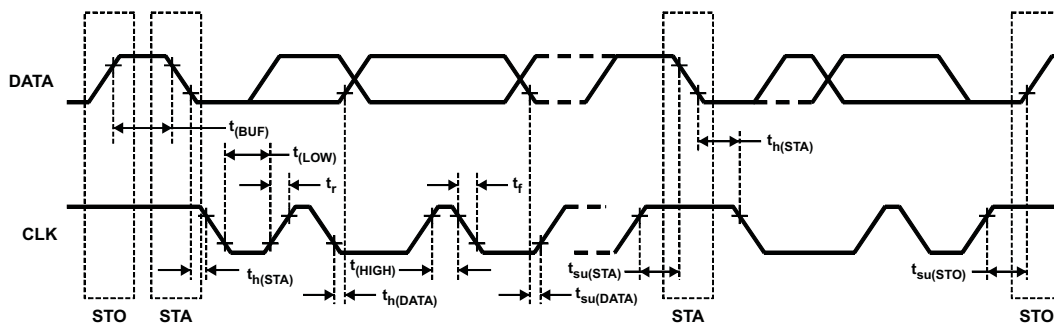
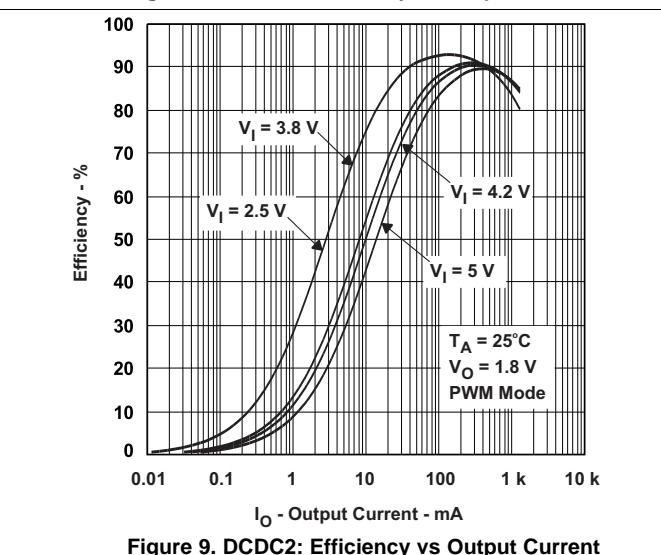
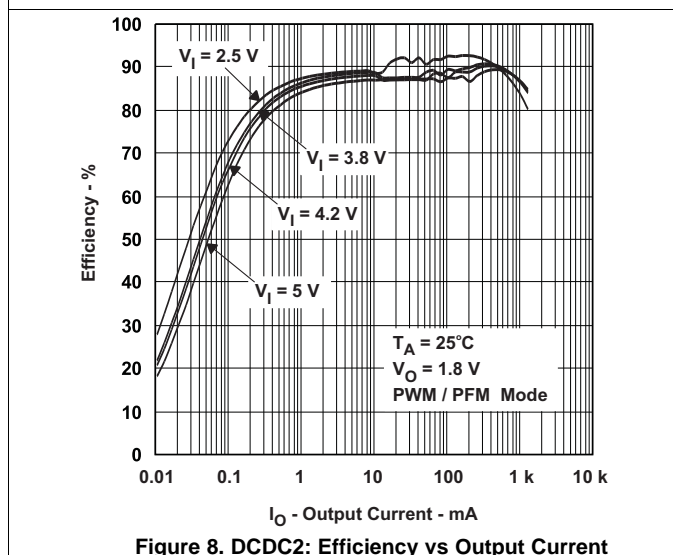
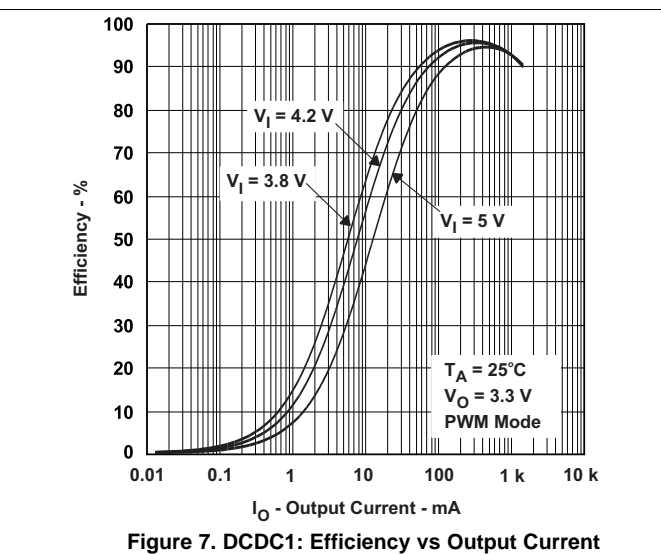
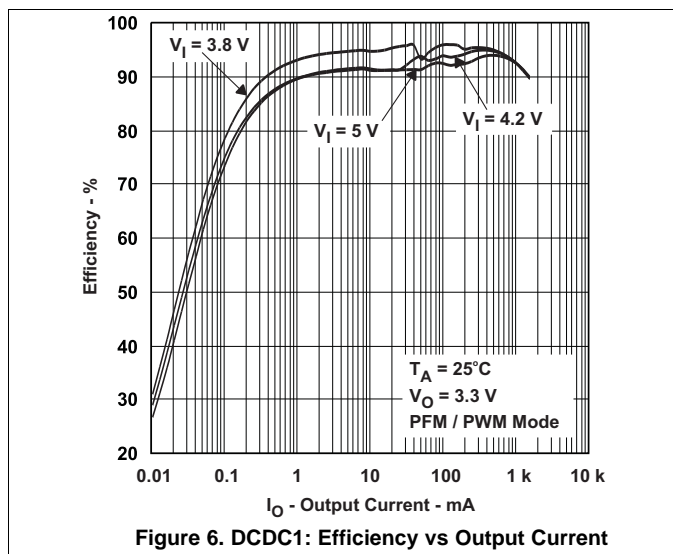


Figure 5. Serial I/F Timing

7.12 Typical Characteristics

Table 1. Table of Graphs

		FIGURE
$\eta$	Efficiency vs Output current	Figure 6, Figure 7, Figure 8, Figure 9, Figure 10, Figure 11, Figure 12
	Line transient response	Figure 13, Figure 14, Figure 15
	Load transient response	Figure 16, Figure 17, Figure 18
	VDCDC2 PFM operation	Figure 19
	VDCDC2 low ripple PFM operation	Figure 20
	VDCDC2 PWM operation	Figure 21
	Startup VDCDC1, VDCDC2 and VDCDC3	Figure 22
	Startup LDO1 and LDO2	Figure 23
	Line transient response	Figure 24, Figure 25, Figure 26
	Load transient response	Figure 27, Figure 28, Figure 29



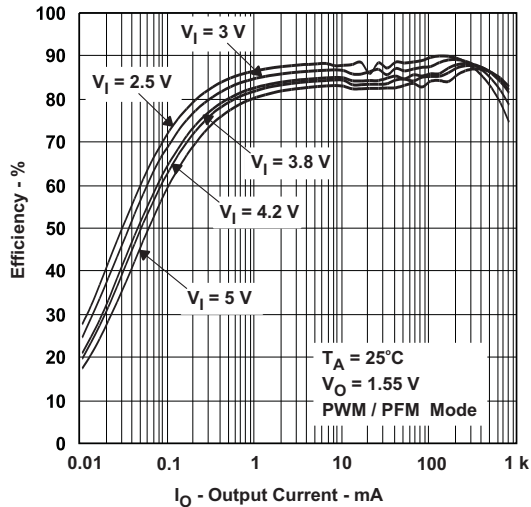


Figure 10. DCDC3: Efficiency vs Output Current

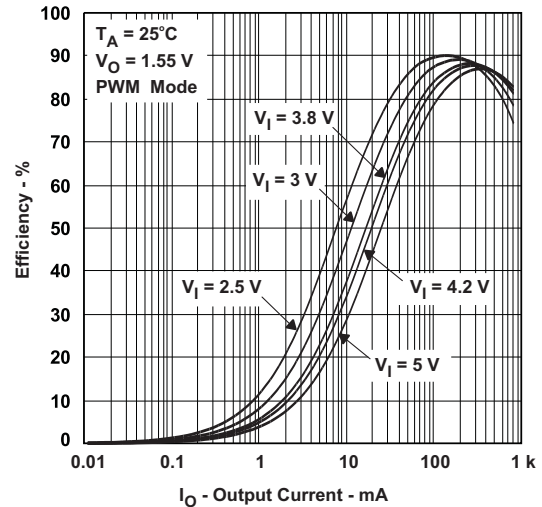


Figure 11. DCDC3: Efficiency vs Output Current

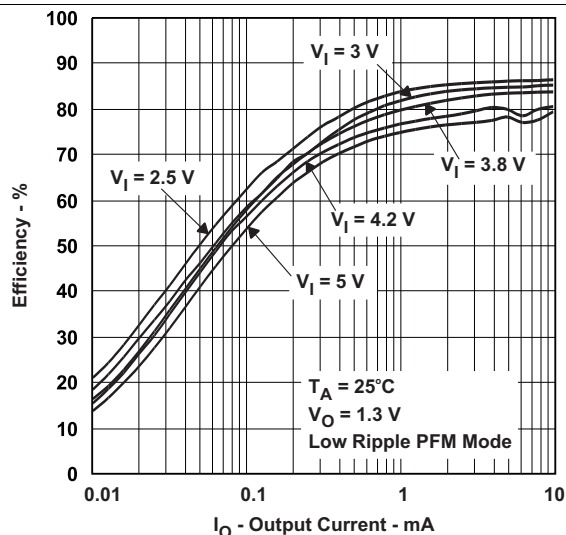


Figure 12. DCDC3: Efficiency vs Output Current

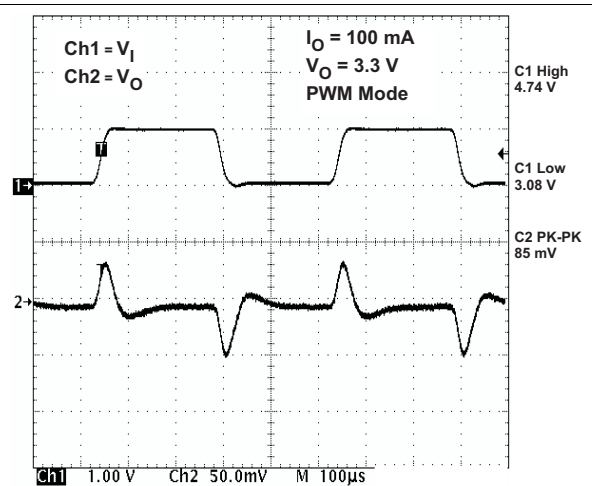


Figure 13. VDCDC1 Line Transient Response

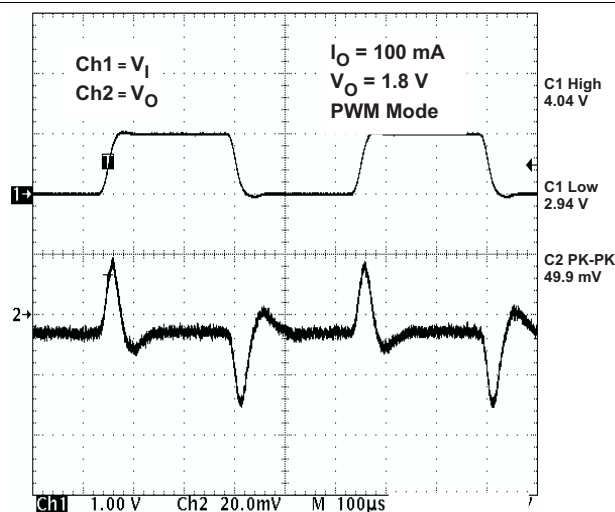


Figure 14. VDCDC2 Line Transient Response

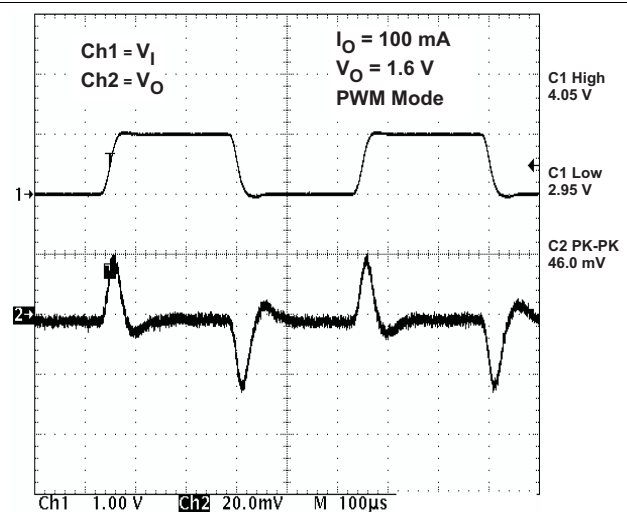


Figure 15. VDCDC3 Line Transient Response



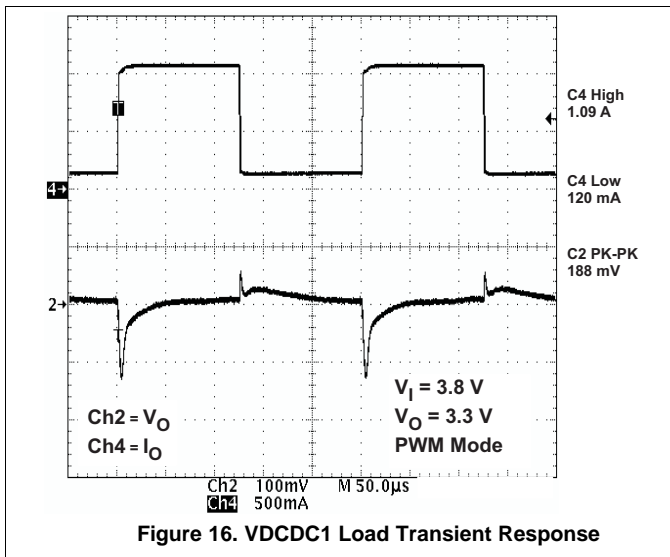


Figure 16. VDCDC1 Load Transient Response

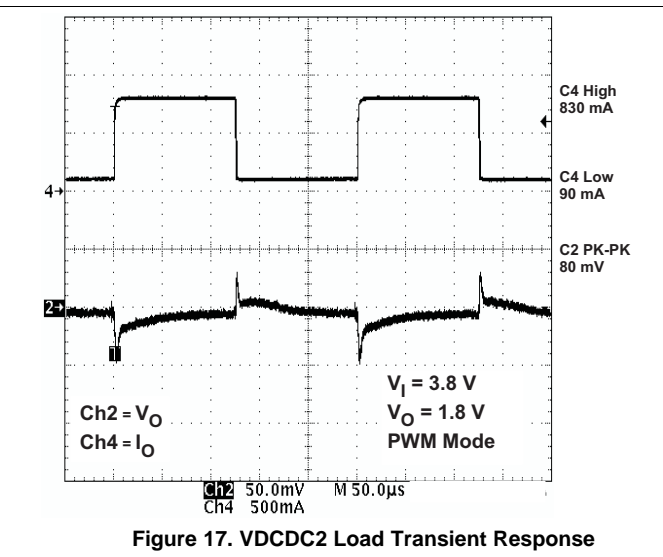


Figure 17. VDCDC2 Load Transient Response

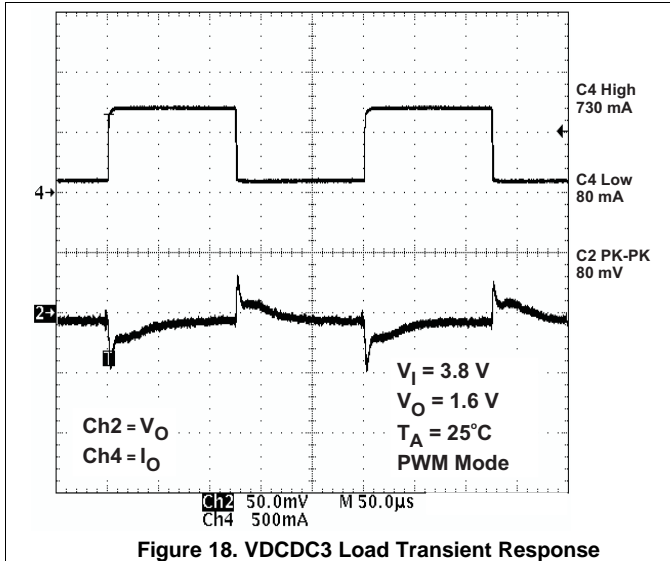


Figure 18. VDCDC3 Load Transient Response

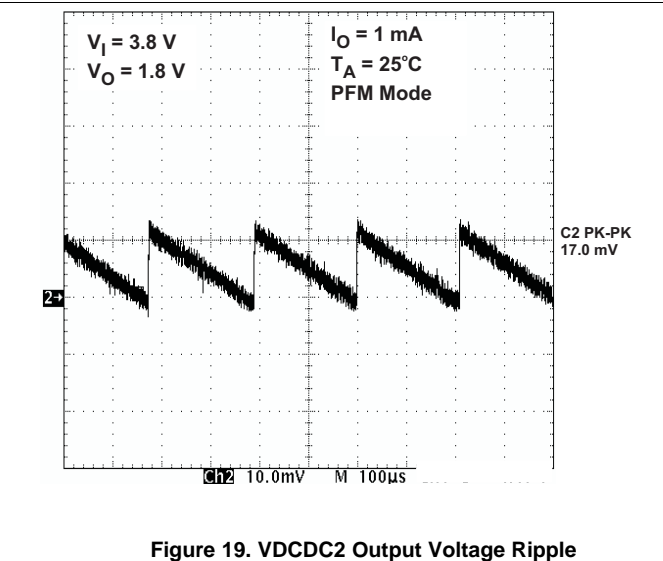


Figure 19. VDCDC2 Output Voltage Ripple

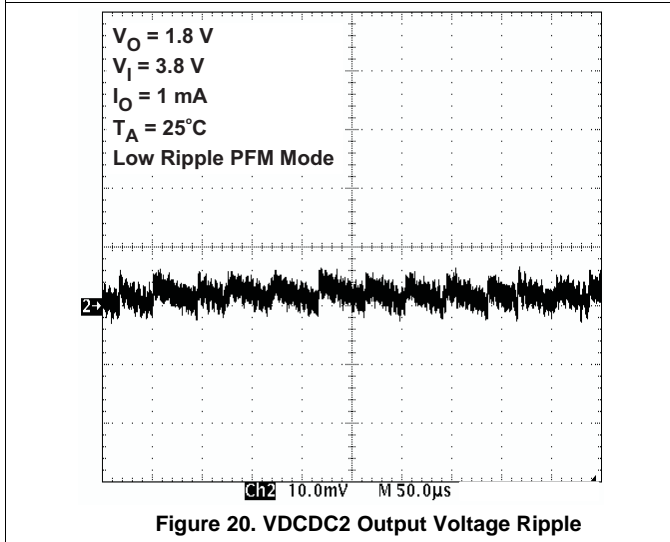


Figure 20. VDCDC2 Output Voltage Ripple

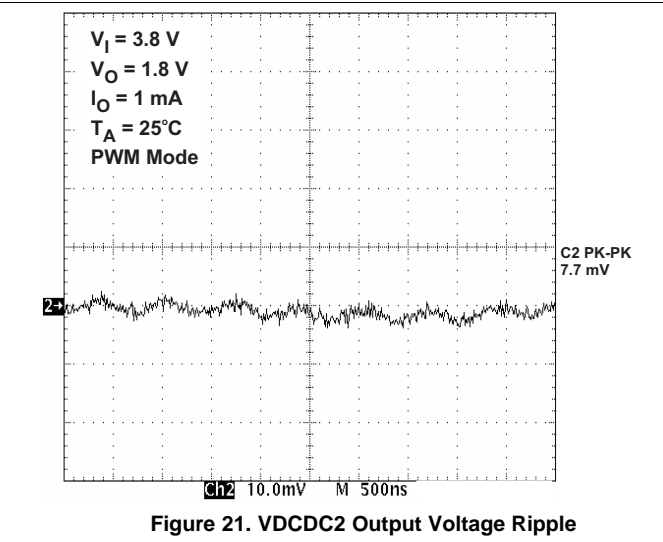


Figure 21. VDCDC2 Output Voltage Ripple

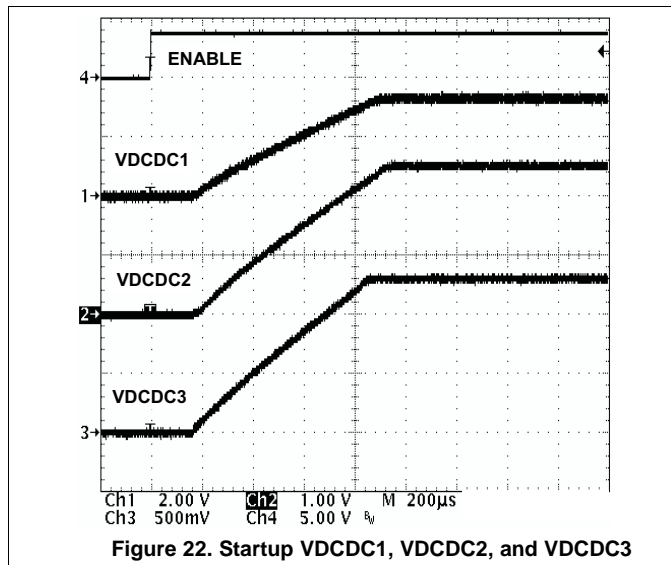


Figure 22. Startup VDCDC1, VDCDC2, and VDCDC3

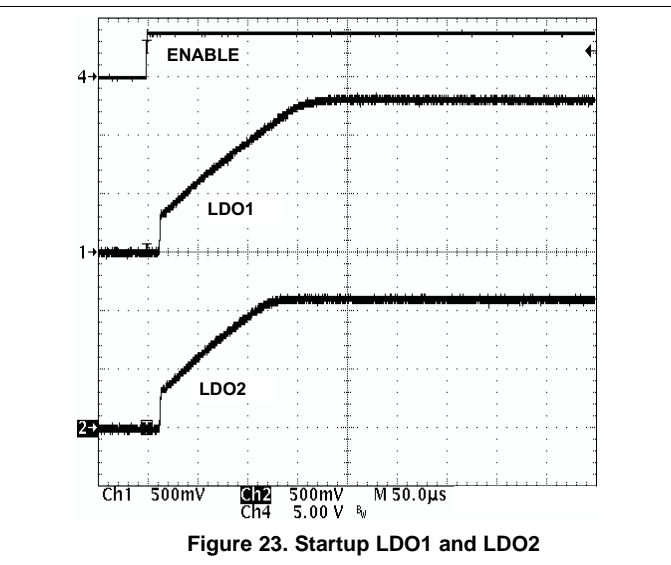


Figure 23. Startup LDO1 and LDO2

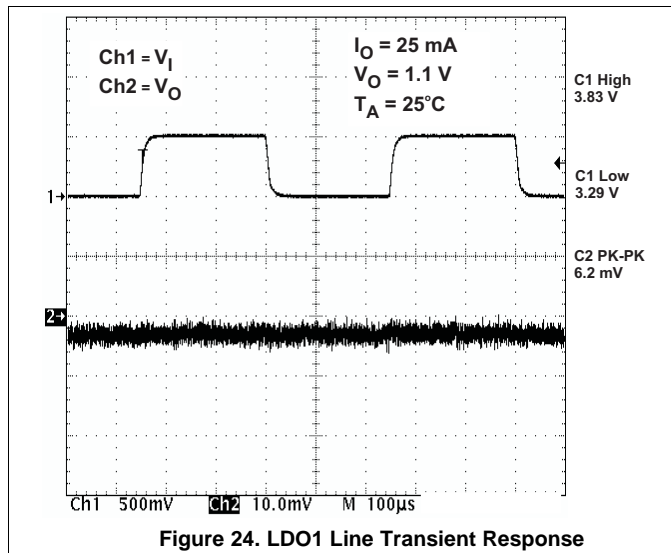


Figure 24. LDO1 Line Transient Response

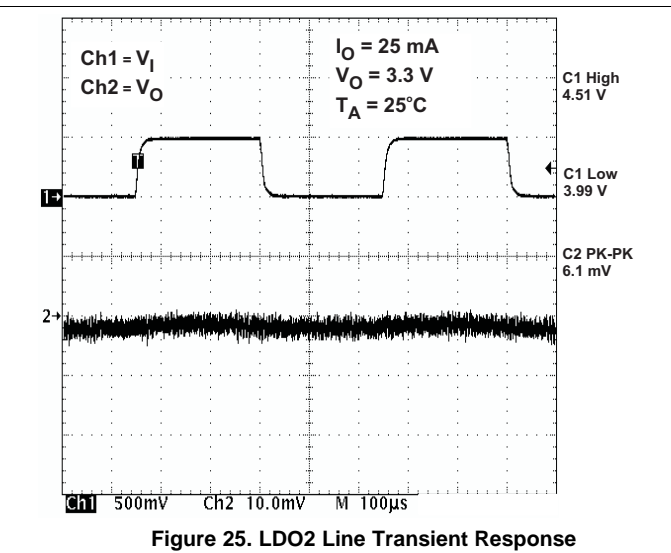


Figure 25. LDO2 Line Transient Response

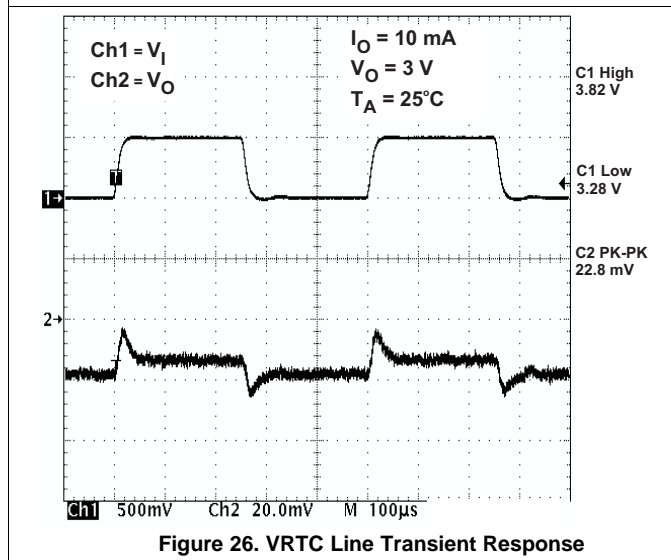


Figure 26. VRTC Line Transient Response

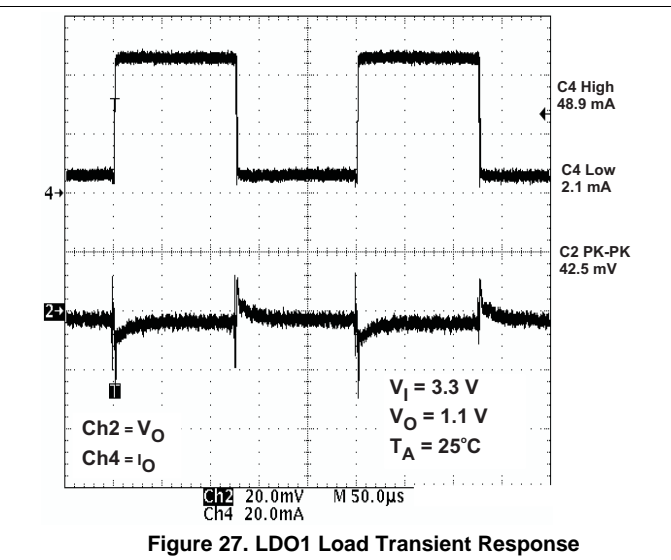
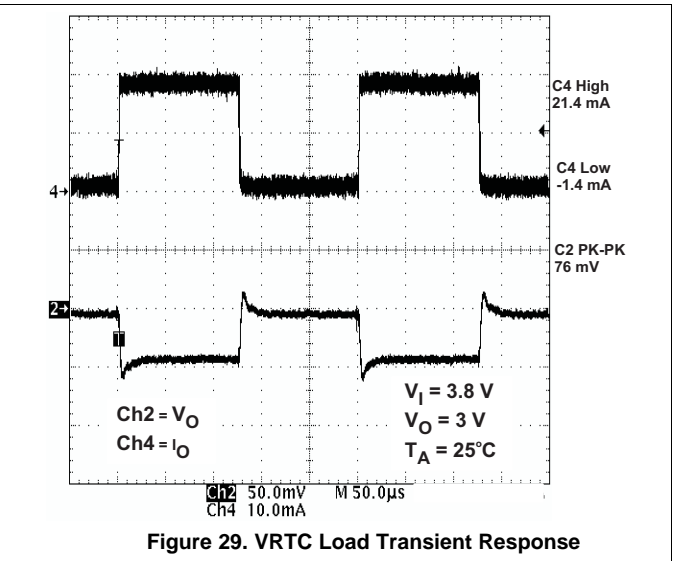
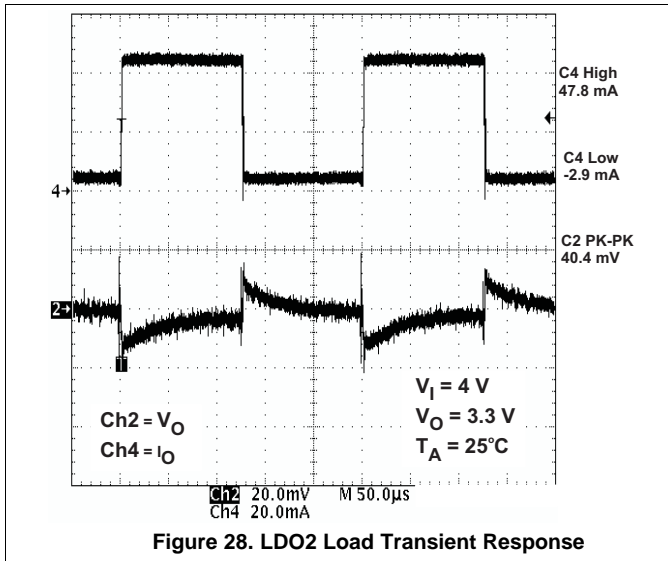


Figure 27. LDO1 Load Transient Response



## 8 Detailed Description

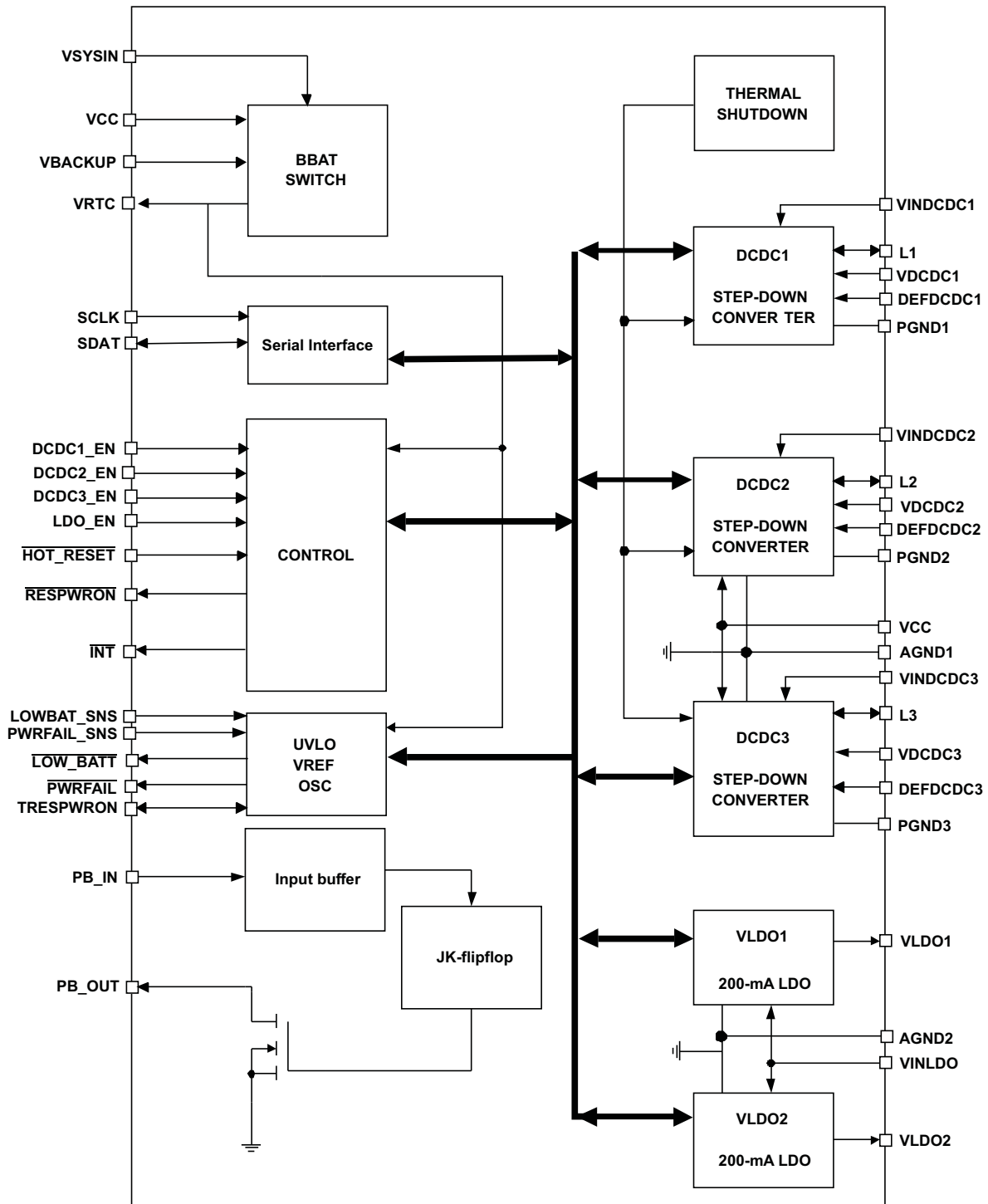
### 8.1 Overview

TPS65020 has 5 regulator channels, 3 DCDCs and 2 LDOs. DCDC3 has a dynamic voltage scaling feature, DVS, that allows for power reduction to CORE supplies during idle operation or over voltage during heavy duty operation. With DVS and 2 more DCDCs plus 2 LDOs, the TPS65020 is ideal for CORE, Memory, IO, and peripheral power for the entire system of a wide range of suitable applications.

The device incorporates enables for the DCDCs and LDOs, I<sup>2</sup>C for device control, pushbutton and a reset interface that complete the system and allow for the TPS65020 to be adapted for different kinds of processors or FPGAs.

For noise-sensitive circuits, the DCDCs can be synchronized out of phase from one another, reducing the peak noise at the switching frequency. Each converter can be forced to operate in PWM mode to ensure constant switching frequency across the entire load range. However, for low load efficiency performance the DCDCs automatically enter PSM mode which reduces the switching frequency when the load current is low, saving power at idle operation.

## 8.2 Functional Block Diagram



## 8.3 Feature Description

### 8.3.1 VRTC Output and Operation With or Without Backup Battery

The VRTC pin is an always-on output, intended to supply up to 20 mA to a permanently required rail. This is the VCC\_BATT rail of the Intel PXA270 Bulverde processor for example.

In applications using a backup battery, the backup voltage can be either directly connected to the TPS65020 VBACKUP pin if a Li-Ion cell is used, or through a boost converter (for example, TPS61070) if a single NiMH battery is used. The voltage applied to the VBACKUP pin is fed through a PMOS switch to the VRTC pin. The TPS65020 asserts the  $\overline{\text{RESPWRON}}$  signal if VRTC drops below 2.4 V. This, together with 250 mV at 20-mA dropout for the PMOS switch means that the voltage applied at VBACKUP must be greater than 2.65 V for normal system operation.

When the voltage at the VSYSIN pin exceeds 2.65 V, the path from VBACKUP to VRTC is cut, and VRTC is supplied by a similar PMOS switch from the voltage source connected to the VSYSIN input. Typically this is the VDCDC1 converter but can be any voltage source within the appropriate range.

In systems where no backup battery is used, the VBACKUP pin is connected to GND. In this case, a low power LDO is enabled, supplied from  $V_{CC}$  and capable of delivering 20 mA to the 3-V output. This LDO is disabled if the voltage at the VSYSIN input exceeds 2.65 V. VRTC is then supplied from the external source connected to this pin as previously described.

Inside TPS65020 there is a switch (Vmax switch) which selects the higher voltage between  $V_{CC}$  and VBACKUP. This is used as the supply voltage for some basic functions. The functions powered from the output of the Vmax switch are:

- $\overline{\text{INT}}$  output
- $\overline{\text{RESPWRON}}$  output
- $\overline{\text{HOT\_RESET}}$  input
- $\overline{\text{LOW\_BATT}}$  output
- PWRFAIL output
- Enable pins for DC-DC converters, LDO1 and LDO2
- Undervoltage lockout comparator (UVLO)
- Reference system with low frequency timing oscillators
- $\overline{\text{LOW\_BATT}}$  and  $\overline{\text{PWRFAIL}}$  comparators

PB-IN, PB-OUT, the main 1.5-MHz oscillator, and the I<sup>2</sup>C interface are only powered from  $V_{CC}$ .

Feature Description (continued)

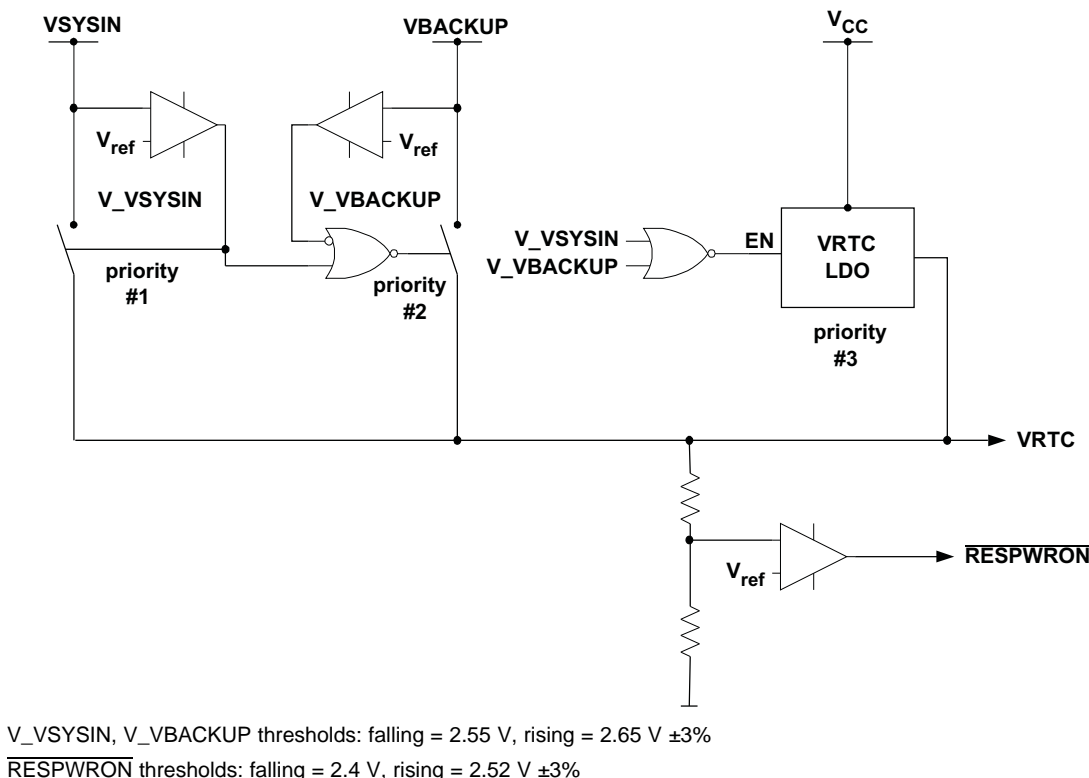


Figure 30. RTC and nRESPWRON

8.3.2 Step-Down Converters, VDCDC1, VDCDC2, and VDCDC3

The TPS65020 incorporates three synchronous step-down converters operating typically at 1.5-MHz fixed-frequency pulse width modulation (PWM) at moderate to heavy load currents. At light-load currents, the converters automatically enter the power save mode (PSM), and operate with pulse frequency modulation (PFM). The VDCDC1 converter is capable of delivering 1.2-A output current, the VDCDC2 converter is capable of delivering 1 A and the VDCDC3 converter is capable of delivering up to 800 mA.

The converter output voltages can be programmed through the DEFDCDC1, DEFDCDC2, and DEFDCDC3 pins. The pins can either be connected to GND, VCC, or to a resistor divider between the output voltage and GND. The VDCDC1 converter defaults to 3 V or 3.3 V depending on the DEFDCDC1 configuration pin. If DEFDCDC1 is tied to ground, the default is 3 V. If it is tied to VCC, the default is 3.3 V. When the DEFDCDC1 pin is connected to a resistor divider, the output voltage can be set in the range of 0.6 V to VINDCDC1 V. See the [Application Information](#) section for more details.

The VDCDC2 converter defaults to 1.8 V or 2.5 V depending on the DEFDCDC2 configuration pin. If DEFDCDC2 is tied to ground, the default is 1.8 V. If it is tied to VCC, the default is 2.5 V. When the DEFDCDC2 pin is connected to a resistor divider, the output voltage can be set in the range of 0.6 V to VINDCDC2 V.

The VDCDC3 converter defaults to 1.3 V or 1.55 V depending on the DEFDCDC3 configuration pin. If DEFDCDC3 is tied to ground the default is 1.3 V. If it is tied to VCC, the default is 1.55 V. When the DEFDCDC3 pin is connected to a resistor divider, the output voltage can be set in the range of 0.6 V to VINDCDC3 V. The core voltage can be reprogrammed through the serial interface in the range of 0.8 V to 1.6 V with a programmable slew rate. The converter is forced into PWM operation whilst any programmed voltage change is underway, whether the voltage is being increased or decreased. The DEFCORE and DEFSLEW registers are used to program the output voltage and slew rate during voltage transitions.

## Feature Description (continued)

The step-down converter outputs (when enabled) are monitored by power-good (PG) comparators, the outputs of which are available through the serial interface. The outputs of the DC-DC converters can be optionally discharged through on-chip 300-Ω resistors when the DC-DC converters are disabled. This feature can be enabled using the I<sup>2</sup>C interface.

During PWM operation, the converters use a unique fast response voltage mode controller scheme with input voltage feedforward to achieve good line and load regulation allowing the use of small ceramic input and output capacitors. At the beginning of each clock cycle initiated by the clock signal, the P-channel MOSFET switch is turned on. The inductor current ramps up until the comparator trips and the control logic turns off the switch. The current limit comparator also turns off the switch if the current limit of the P-channel switch is exceeded. After the adaptive dead-time used to prevent shoot through current, the N-channel MOSFET rectifier is turned on, and the inductor current ramps down. The next cycle is initiated by the clock signal, again turning off the N-channel rectifier and turning on the P-channel switch.

The three DC-DC converters operate synchronized to each other with the VDCDC1 converter as the master. A 180° phase shift between the VDCDC1 switch turn on and the VDCDC2 and a further 90° shift to the VDCDC3 switch turn on decreases the input RMS current and smaller input capacitors can be used. This is optimized for a typical application where the VDCDC1 converter regulates a Li-Ion battery voltage of 3.7 V to 3.3 V, the VDCDC2 converter from 3.7 V to 2.5 V, and the VDCDC3 converter from 3.7 V to 1.5 V. The phase of the three converters can be changed using the CON\_CTRL register.

### 8.3.3 Power Save Mode Operation

As the load current decreases, the converters enter the power save mode operation. During PSM, the converters operate in a burst mode (PFM mode) with a frequency between 750 kHz and 1.5 MHz, nominal for one burst cycle. However, the frequency between different burst cycles depends on the actual load current and is typically far less than the switching frequency with a minimum quiescent current to maintain high efficiency.

To optimize the converter efficiency at light load, the average current is monitored and if in PWM mode the inductor current remains below a certain threshold, then PSM is entered. The typical threshold to enter PSM is calculated using the equations in [Equation 1](#), [Equation 2](#), and [Equation 3](#).

$$I_{PFMDCDC1 \text{ enter}} = \frac{V_{INDCDC1}}{24 \Omega} \quad (1)$$

$$I_{PFMDCDC2 \text{ enter}} = \frac{V_{INDCDC2}}{26 \Omega} \quad (2)$$

$$I_{PFMDCDC3 \text{ enter}} = \frac{V_{INDCDC3}}{39 \Omega} \quad (3)$$

During the PSM the output voltage is monitored with a comparator, and by maximum skip burst width. As the output voltage falls below the threshold, set to the nominal  $V_O$ , the P-channel switch turns on and the converter effectively delivers a constant current defined using the equations in [Equation 4](#), [Equation 5](#), and [Equation 6](#).

$$I_{PFMDCDC1 \text{ leave}} = \frac{V_{INDCDC1}}{18 \Omega} \quad (4)$$

$$I_{PFMDCDC2 \text{ leave}} = \frac{V_{INDCDC2}}{20 \Omega} \quad (5)$$

$$I_{PFMDCDC3 \text{ leave}} = \frac{V_{INDCDC3}}{29 \Omega} \quad (6)$$

If the load is below the delivered current then the output voltage rises until the same threshold is crossed in the other direction. All switching activity ceases, reducing the quiescent current to a minimum until the output voltage has again dropped below the threshold. The power save mode is exited, and the converter returns to PWM mode if either of the following conditions are met:

1. the output voltage drops 2% below the nominal  $V_O$  due to increasing load current
2. the PFM burst time exceeds  $16 \times 1 / f_s$  (10.67 μs typical).



## Feature Description (continued)

These control methods reduce the quiescent current to typically 14  $\mu\text{A}$  per converter, and the switching activity to a minimum, thus achieving the highest converter efficiency. Setting the comparator thresholds at the nominal output voltage at light-load current results in a low output voltage ripple. The ripple depends on the comparator delay and the size of the output capacitor. Increasing capacitor values makes the output ripple tend to zero. The PSM is disabled through the I<sup>2</sup>C interface to force the individual converters to stay in fixed-frequency PWM mode.

### 8.3.4 Low Ripple Mode

Setting Bit 3 in register CON\_CTRL to 1 enables the low ripple mode for all of the DC-DC converters if operated in PFM mode. For an output current less than approximately 10 mA, the output voltage ripple in PFM mode is reduced, depending on the actual load current. The lower the actual output current on the converter, the lower the output ripple voltage. For an output current above 10 mA, there is only minor difference in output voltage ripple between PFM mode and low ripple PFM mode. As this feature also increases switching frequency, it is used to keep the switching frequency above the audible range in PFM mode down to a low output current.

### 8.3.5 Soft-Start

Each of the three converters has an internal soft-start circuit that limits the inrush current during start-up. The soft-start is realized by using a very low current to initially charge the internal compensation capacitor. The soft-start time is typically 750  $\mu\text{s}$  if the output voltage ramps from 5% to 95% of the final target value. If the output is already precharged to some voltage when the converter is enabled, then this time is reduced proportionally. There is a short delay of typically 170  $\mu\text{s}$  between the converter being enabled and switching activity starting. The delay allows the converter to bias itself properly, to recognize if the output is precharged, and if so to prevent discharging of the output while the internal soft-start ramp catches up with the output voltage.

### 8.3.6 100% Duty Cycle Low-Dropout Operation

The TPS65020 converters offer a low input to output voltage difference while still maintaining operation with the use of the 100% duty cycle mode. In this mode the P-channel switch is constantly turned on. This is particularly useful in battery-powered applications to achieve longest operation time by taking full advantage of the whole battery voltage range. The minimum input voltage required to maintain DC regulation depends on the load current and output voltage. It is calculated in [Equation 7](#).

$$V_{in_{min}} = V_{out_{min}} + I_{out_{max}} \times (r_{DS(on)} + R_L)$$

where

- $I_{out_{max}}$  = maximum load current (Note: ripple current in the inductor is zero under these conditions)
  - $r_{DS(on)max}$  = maximum P-channel switch  $r_{DS(on)}$
  - $R_L$  = DC resistance of the inductor
  - $V_{out_{min}}$  = nominal output voltage minus 2% tolerance limit
- (7)

### 8.3.7 Active Discharge When Disabled

When the VDCDC1, VDCDC2, and VDCDC3 converters are disabled, due to an UVLO, DCDCx\_EN, or OVERTEMP condition, it is possible to actively pull down the outputs. This feature is disabled per default and is individually enabled through the CON\_CTRL2 register in the serial interface. When this feature is enabled, the VDCDC1, VDCDC2, and VDCDC3 outputs are discharged by a 300- $\Omega$  (typical) load which is active as long as the converters are disabled.

### 8.3.8 Power-Good Monitoring

All three step-down converters and both the LDO1 and LDO2 linear regulators have power-good comparators. Each comparator indicates when the relevant output voltage has dropped 10% below its target value with 5% hysteresis. The outputs of these comparators are available in the PGOODZ register through the serial interface. An interrupt is generated when any voltage rail drops below the 10% threshold. The comparators are disabled when the converters are disabled and the relevant PGOODZ register bits indicate that power is good.

## Feature Description (continued)

### 8.3.9 Low-Dropout Voltage Regulators

The low-dropout voltage regulators are designed to operate well with low-value ceramic input and output capacitors. They operate with input voltages down to 1.5 V. The LDOs offer a maximum dropout voltage of 300 mV at rated output current. Each LDO supports a current limit feature. Both LDOs are enabled by the LDO\_EN pin, both LDOs can be disabled or programmed through the serial interface using the REG\_CTRL and LDO\_CTRL registers. The LDOs also have reverse conduction prevention. This allows the possibility to connect external regulators in parallel in systems with a backup battery. The TPS65020 step-down and LDO voltage regulators automatically power down when the V<sub>CC</sub> voltage drops below the UVLO threshold or when the junction temperature rises above 160°C.

### 8.3.10 Undervoltage Lockout

The undervoltage lockout circuit for the five regulators on the TPS65020 prevents the device from malfunctioning at low-input voltages and from excessive discharge of the battery. It disables the converters and LDOs. The UVLO circuit monitors the VCC pin, the threshold is set internally to 2.35 V with 5% (120 mV) hysteresis. Note that when any of the DC-DC converters are running, there is an input current at the VCC pin, which is up to 3 mA when all three converters are running in PWM mode. This current must be taken into consideration if an external RC filter is used at the VCC pin to remove switching noise from the TPS65020 internal analog circuitry supply.

### 8.3.11 Power-Up Sequencing

The TPS65020 power-up sequencing is designed to be entirely flexible and customer driven. This is achieved by providing separate enable pins for each switch-mode converter, and a common enable signal for the LDOs. The relevant control pins are described in [Table 2](#).

**Table 2. Control Pins and Status Outputs for DC-DC Converters**

PIN NAME	INPUT OUTPUT	FUNCTION
DEFDCDC3	I	Defines the default voltage of the VDCDC3 switching converter. DEFDCDC3 = 0 defaults VDCDC3 to 1.3 V, DEFDCDC3 = VCC defaults VDCDC3 to 1.55 V.
DEFDCDC2	I	Defines the default voltage of the VDCDC2 switching converter. DEFDCDC2 = 0 defaults VDCDC2 to 1.8 V, DEFDCDC2 = VCC defaults VDCDC2 to 2.5 V.
DEFDCDC1	I	Defines the default voltage of the VDCDC1 switching converter. DEFDCDC1 = 0 defaults VDCDC1 to 3 V, DEFDCDC1 = VCC defaults VDCDC1 to 3.3 V.
DCDC3_EN	I	Set DCDC3_EN = 0 to disable and DCDC3_EN = 1 to enable the VDCDC3 converter
DCDC2_EN	I	Set DCDC2_EN = 0 to disable and DCDC2_EN = 1 to enable the VDCDC2 converter
DCDC1_EN	I	Set DCDC1_EN = 0 to disable and DCDC1_EN = 1 to enable the VDCDC1 converter
$\overline{\text{HOT\_RESET}}$	I	The $\overline{\text{HOT\_RESET}}$ pin generates a reset ( $\overline{\text{RESPWRON}}$ ) for the processor. $\overline{\text{HOT\_RESET}}$ does not alter any TPS65020 settings except the output voltage of VDCDC3. Activating $\overline{\text{HOT\_RESET}}$ sets the voltage of VDCDC3 to its default value defined with the DEFDCDC3 pin. A 1-M $\Omega$ pullup resistor to VCC is integrated in TPS65020. $\overline{\text{HOT\_RESET}}$ is internally de-bounced by the TPS65020.
$\overline{\text{RESPWRON}}$	O	$\overline{\text{RESPWRON}}$ is held low when power is initially applied to the TPS65020. The VRTC voltage is monitored: $\overline{\text{RESPWRON}}$ is low when VRTC < 2.4 V and remains low for a time defined by the external capacitor at the TRESPWRON pin. $\overline{\text{RESPWRON}}$ can also be forced low by activation of the $\overline{\text{HOT\_RESET}}$ pin.
TRESPWRON	I	Connect a capacitor here to define the RESET time at the $\overline{\text{RESPWRON}}$ pin. 1 nF typically gives 100 ms.

## 8.4 Device Functional Modes

The TPS6502x devices are either in the ON or the OFF mode. The OFF mode is entered when the voltage on VCC is below the UVLO threshold, 2.35 V (typically). Once the voltage at VCC has increased above UVLO, the device enters ON mode. In the ON mode, the DCDCs and LDOs are available for use.

## 8.5 Programming

### 8.5.1 System Reset + Control Signals

The  $\overline{\text{RESPWRON}}$  signal can be used as a global reset for the application. It is an open-drain output. The  $\overline{\text{RESPWRON}}$  signal is generated according to the power-good comparator of VRTC, and remains low for  $t_{\text{respwrn}}$  seconds after VRTC has risen above 2.52 V (falling threshold is 2.4 V, 5% hysteresis).  $t_{\text{respwrn}}$  is set by an external capacitor at the TRESPWRON pin. 1 nF gives typically 100 ms.  $\overline{\text{RESPWRON}}$  is also triggered by the  $\overline{\text{HOT\_RESET}}$  input. This input is internally debounced, with a filter time of typically 30 ms.

The  $\overline{\text{PWRFAIL}}$  and  $\overline{\text{LOW\_BAT}}$  signals are generated by two voltage detectors using the PWRFAIL\_SNS and LOWBAT\_SNS input signals. Each input signal is compared to a 1 V threshold (falling edge) with 5% (50 mV) hysteresis.

The VDCDC3 converter is reset to its default output voltage defined by the DEFDCDC3 input, when  $\overline{\text{HOT\_RESET}}$  is asserted. Other I<sup>2</sup>C registers are not affected. Generally, the VDCDC3 converter is set to its default voltage with one of these conditions:  $\overline{\text{HOT\_RESET}}$  active, VRTC lower than its threshold voltage, undervoltage lockout (UVLO) condition,  $\overline{\text{RESPWRON}}$  active, both VDCDC3-converter AND VDCDC1-converter disabled. In addition, the voltage of VDCDC3 changes to 1xxx0, if the VDCDC1 converter is disabled. Where xxx is the state before VDCDC1 was disabled.

#### 8.5.1.1 PB\_IN and PB\_OUT

In the TPS65020 the PB\_IN pin is defined as an input. It is active high and debounces the input signal. For example from a push button, before passing it to a latch associated with PB\_OUT (active-low). This feature allows the implementation of a push-button on-off-switch. PB\_OUT is actively pulled low per default. See the [Application Information](#) section.

#### 8.5.1.2 Interrupt Management and the $\overline{\text{INT}}$ Pin

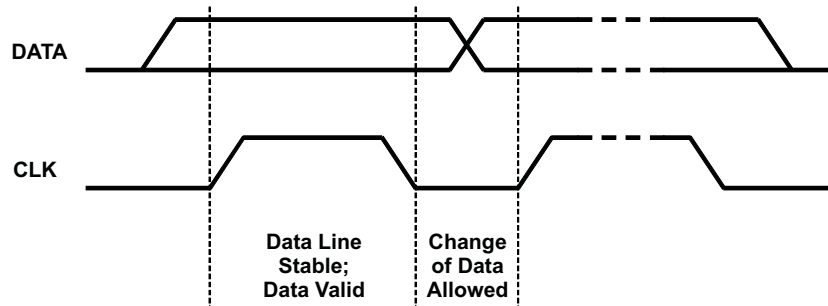
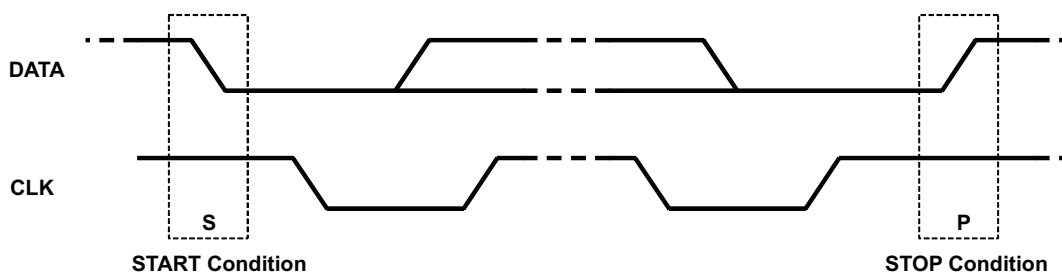
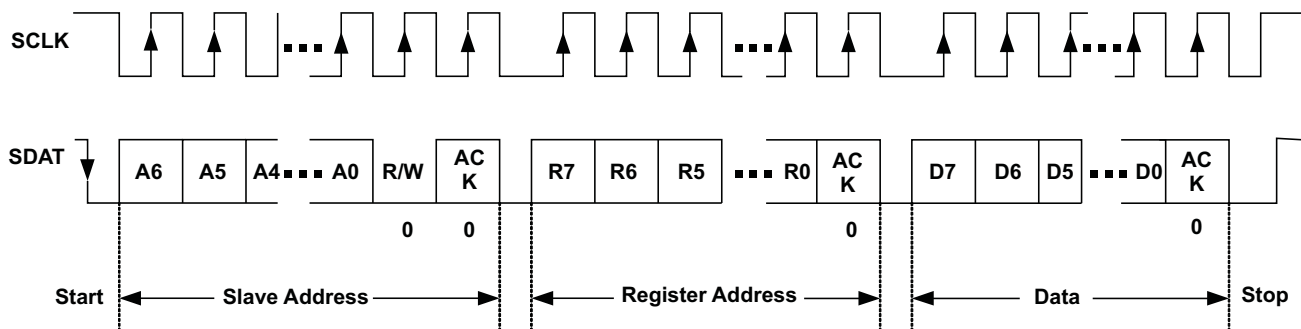
The  $\overline{\text{INT}}$  pin combines the outputs of the PGOOD comparators from each DC-DC converter and LDOs. The  $\overline{\text{INT}}$  pin is used as a POWER\_OK pin indicating when all enabled supplies are in regulation. If the PGOODZ register is read through the serial interface, any active bits are then blocked from the INT output pin.

Interrupts can be masked using the MASK register; default operation is not to mask any DCDC or LDO interrupts because this provides the POWER\_OK function.

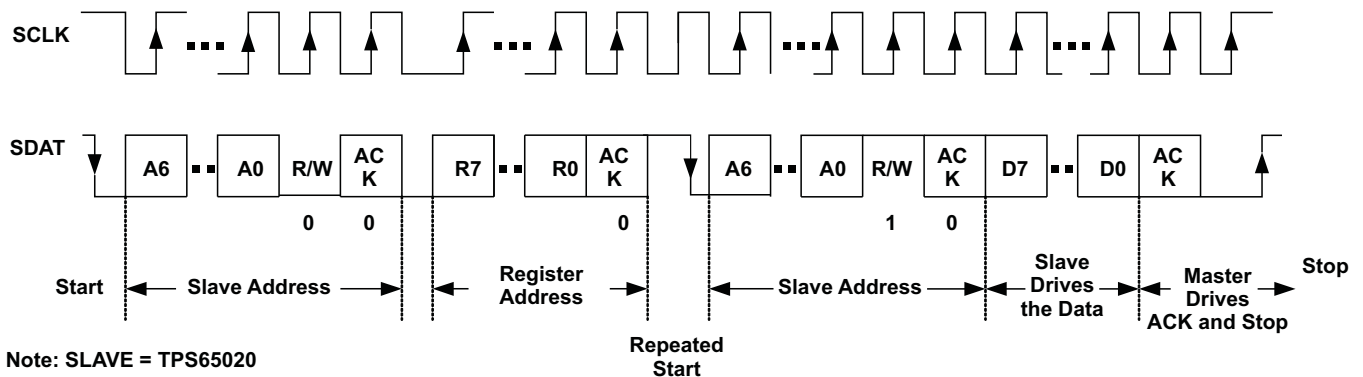
### 8.5.2 Serial Interface

The serial interface is compatible with the standard and fast mode I<sup>2</sup>C specifications, allowing transfers at up to 400 kHz. The interface adds flexibility to the power supply solution, enabling most functions to be programmed to new values depending on the instantaneous application requirements and charger status to be monitored. Register contents remain intact as long as V<sub>CC</sub> remains above 2 V. The TPS65020 has a 7-bit address: 1001000, other addresses are available upon contact with the factory. Attempting to read data from the register addresses not listed in this section results in FFh being read out.

For normal data transfer, DATA is allowed to change only when CLK is low. Changes when CLK is high are reserved for indicating the start and stop conditions. During data transfer, the data line must remain stable whenever the clock line is high. There is one clock pulse per bit of data. Each data transfer is initiated with a start condition and terminated with a stop condition. When addressed, the TPS65020 device generates an acknowledge bit after the reception of each byte. The master device (microprocessor) must generate an extra clock pulse that is associated with the acknowledge bit. The TPS65020 device must pull down the DATA line during the acknowledge clock pulse so that the DATA line is a stable low during the high period of the acknowledge clock pulse. The DATA line is a stable low during the high period of the acknowledge-related clock pulse. Setup and hold times must be taken into account. During read operations, a master must signal the end of data to the slave by not generating an acknowledge bit on the last byte that was clocked out of the slave. In this case, the slave TPS65020 device must leave the data line high to enable the master to generate the stop condition.

**Programming (continued)**

**Figure 31. Bit Transfer on the Serial Interface**

**Figure 32. START and STOP Conditions**


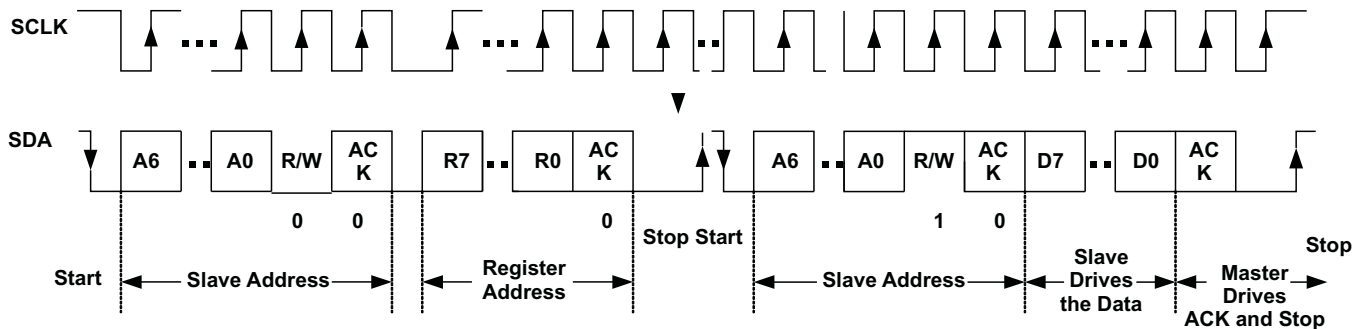
Note: SLAVE = TPS65020

**Figure 33. Serial I/F WRITE to TPS65020 Device**


Note: SLAVE = TPS65020

**Figure 34. Serial I/F READ from TPS65020: Protocol A**

**Programming (continued)**



**Figure 35. Serial I/F READ from TPS65020: Protocol B**

## 8.6 Register Maps

### 8.6.1 VERSION Register Address: 00h (Read Only)

**Table 3. VERSION Register**

VERSION	B7	B6	B5	4244238.gif B4	B3	B2	B1	B0
Bit name and function	0	0	0	1	1	0	0	1
Read/Write	R	R	R	R	R	R	R	R

### 8.6.2 PGOODZ Register Address: 01h (Read Only)

**Table 4. PGOODZ Register**

PGOODZ	B7	B6	B5	B4	B3	B2	B1	B0
Bit name and function	PWRFAILZ	LOWBATTZ	PGOODZ VDCDC1	PGOODZ VDCDC2	PGOODZ VDCDC3	PGOODZ LDO2	PGOODZ LDO1	–
Set by signal	PWRFAIL	LOWBATT	PGOODZ VDCDC1	PGOODZ VDCDC2	PGOODZ VDCDC3	PGOODZ LDO2	PGOODZ LDO1	–
Default value loaded	PWRFAILZ	LOWBATTZ	PGOOD VDCDC1	PGOOD VDCDC2	PGOOD VDCDC3	PGOOD LDO2	PGOOD LDO1	–
Read/Write	R	R	R	R	R	R	R	R

**Bit 7 PWRFAILZ:**

0 = indicates that the PWRFAIL\_SNS input voltage is above the 1-V threshold

1 = indicates that the PWRFAIL\_SNS input voltage is below the 1-V threshold

**Bit 6 LOWBATTZ:**

0 = indicates that the LOWBATT\_SNS input voltage is above the 1-V threshold

1 = indicates that the LOWBATT\_SNS input voltage is below the 1-V threshold

**Bit 5 PGOODZ VDCDC1:**

0 = indicates that the VDCDC1 converter output voltage is within its nominal range.  
This bit is zero if the VDCDC1 converter is disabled.

1 = indicates that the VDCDC1 converter output voltage is below its target regulation voltage

**Bit 4 PGOODZ VDCDC2:**

0 = indicates that the VDCDC2 converter output voltage is within its nominal range.  
This bit is zero if the VDCDC2 converter is disabled.

1 = indicates that the VDCDC2 converter output voltage is below its target regulation voltage

**Bit 3 PGOODZ VDCDC3:**

0 = indicates that the VDCDC3 converter output voltage is within its nominal range.  
This bit is zero if the VDCDC3 converter is disabled and during a DVM controlled output voltage transition.

1 = indicates that the VDCDC3 converter output voltage is below its target regulation voltage

**Bit 2 PGOODZ LDO2:**

0 = indicates that the LDO2 output voltage is within its nominal range.  
This bit is zero if LDO2 is disabled.

1 = indicates that LDO2 output voltage is below its target regulation voltage

**Bit 1 PGOODZ LDO1:**

0 = indicates that the LDO1 output voltage is within its nominal range.  
This bit is zero if LDO1 is disabled.

1 = indicates that the LDO1 output voltage is below its target regulation voltage

### 8.6.3 MASK Register Address: 02h (Read and Write), Default Value: C0h

The MASK register can be used to mask particular fault conditions from appearing at the  $\overline{\text{INT}}$  pin. MASK<n> = 1 masks PGOODZ<n>.

**Table 5. MASK Register**

MASK	B7	B6	B5	B4	B3	B2	B1	B0
Bit name and function	MASK PWRFAILZ	MASK LOWBATTZ	MASK VDCDC1	MASK VDCDC2	MASK VDCDC3	MASK LDO2	MASK LDO1	–
Default	1	1	0	0	0	0	0	0
Default value loaded	UVLO	UVLO	UVLO	UVLO	UVLO	UVLO	UVLO	UVLO
Read/Write	R/W	R/W	R/W	R/W	R/W	R/W	R/W	R/W

### 8.6.4 REG\_CTRL Register Address: 03h (Read and Write), Default Value: FFh

The REG\_CTRL register is used to disable or enable the power supplies through the serial interface. The contents of the register are logically AND'ed with the enable pins to determine the state of the supplies. A UVLO condition resets the REG\_CTRL to 0xFF, so the state of the supplies defaults to the state of the enable pin. The REG\_CTRL bits are automatically reset to default when the corresponding enable pin is low.

**Table 6. REG\_CTRL Register**

REG_CTRL	B7	B6	B5	B4	B3	B2	B1	B0
Bit name and function	–	–	VDCDC1 ENABLE	VDCDC2 ENABLE	VDCDC3 ENABLE	LDO2 ENABLE	LDO1 ENABLE	–
Default	1	1	1	1	1	1	1	–
Set by signal	–	–	DCDC1_ENZ	DCDC2_ENZ	DCDC3_ENZ	LDO_ENZ	LDO_ENZ	–
Default value loaded	–	–	UVLO	UVLO	UVLO	UVLO	UVLO	–
Read/Write	–	–	R/W	R/W	R/W	R/W	R/W	–

#### Bit 5 VDCDC1 ENABLE

DCDC1 Enable. This bit is logically AND'ed with the state of the DCDC1\_EN pin to turn on the DCDC1 converter. Reset to 1 by a UVLO condition, the bit can be written to 0 or 1 through the serial interface. The bit is reset to 1 when the pin DCDC1\_EN is pulled to GND, allowing DCDC1 to turn on when DCDC1\_EN returns high.

#### Bit 4 VDCDC2 ENABLE

DCDC2 Enable. This bit is logically AND'ed with the state of the DCDC2\_EN pin to turn on the DCDC2 converter. Reset to 1 by a UVLO condition, the bit can be written to 0 or 1 through the serial interface. The bit is reset to 1 when the pin DCDC2\_EN is pulled to GND, allowing DCDC2 to turn on when DCDC2\_EN returns high.

#### Bit 3 VDCDC3 ENABLE

DCDC3 Enable. This bit is logically AND'ed with the state of the DCDC3\_EN pin to turn on the DCDC3 converter. Reset to 1 by a UVLO condition, the bit can be written to 0 or 1 through the serial interface. The bit is reset to 1 when the pin DCDC3\_EN is pulled to GND, allowing DCDC3 to turn on when DCDC3\_EN returns high.

#### Bit 2 LDO2 ENABLE

LDO2 Enable. This bit is logically AND'ed with the state of the LDO2\_EN pin to turn on LDO2. Reset to 1 by a UVLO condition, the bit can be written to 0 or 1 through the serial interface. The bit is reset to 1 when the pin LDO\_EN is pulled to GND, allowing LDO2 to turn on when LDO\_EN returns high.

#### Bit 1 LDO1 ENABLE

LDO1 Enable. This bit is logically AND'ed with the state of the LDO1\_EN pin to turn on LDO1. Reset to 1 by a UVLO condition, the bit can be written to 0 or 1 through the serial interface. The bit is reset to 1 when the pin LDO\_EN is pulled to GND, allowing LDO1 to turn on when LDO\_EN returns high.

### 8.6.5 CON\_CTRL Register Address: 04h (Read and Write), Default Value: B0h

The CON\_CTRL register is used to force any or all of the converters into forced PWM operation, when low output voltage ripple is vital. It is also used to control the phase shift between the three converters to minimize the input rms current, hence reduce the required input blocking capacitance. The DCDC1 converter is taken as the reference and consequently has a fixed zero phase shift.

**Table 7. CON\_CTRL Register**

CON_CTRL	B7	B6	B5	B4	B3	B2	B1	B0
Bit name and function	DCDC2 PHASE1	DCDC2 PHASE0	DCDC3 PHASE1	DCDC3 PHASE0	LOW RIPPLE	FPWM DCDC2	FPWM DCDC1	FPWM DCDC3
Default	1	0	1	1	0	0	0	0
Default value loaded	UVLO	UVLO	UVLO	UVLO	UVLO	UVLO	UVLO	UVLO
Read/Write	R/W	R/W	R/W	R/W	R/W	R/W	R/W	R/W

**Table 8. DCDC2 and DCDC3 Phase Delay**

CON_CTRL<7:6>	DCDC2 CONVERTER DELAYED BY	CON_CTRL<5:4>	DCDC3 CONVERTER DELAYED BY
00	zero	00	zero
01	1/4 cycle	01	1/4 cycle
10	1/2 cycle	10	1/2 cycle
11	3/4 cycle	11	3/4 cycle

**Bit 3 LOW RIPPLE:**

- 0 = PFM mode operation optimized for high efficiency for all converters
- 1 = PFM mode operation optimized for low-output voltage ripple for all converters

**Bit 2 FPWM DCDC2:**

- 0 = DCDC2 converter operates in PWM / PFM mode
- 1 = DCDC2 converter is forced into fixed-frequency PWM mode

**Bit 1 FPWM DCDC1:**

- 0 = DCDC1 converter operates in PWM / PFM mode
- 1 = DCDC1 converter is forced into fixed-frequency PWM mode

**Bit 0 FPWM DCDC3:**

- 0 = DCDC3 converter operates in PWM / PFM mode
- 1 = DCDC3 converter is forced into fixed-frequency PWM mode



### 8.6.6 CON\_CTRL2 Register Address: 05h (Read and Write), Default Value: 40h

The CON\_CTRL2 register can be used to take control the inductive converters.

**Table 9. CON\_CTRL2 Register**

CON_CTRL2	B7	B6	B5	B4	B3	B2	B1	B0
Bit name and function	GO	CORE ADJ Allowed	–	–	–	DCDC2 Discharge	DCDC1 Discharge	DCDC3 Discharge
Default	0	1	0	0	0	0	0	0
Default value loaded	UVLO + DONE	UVLO	–	–	–	UVLO	UVLO	UVLO
Read/Write	R/W	R/W	–	–	–	R/W	R/W	R/W

Bit 7 GO:

- 0 = no change in the output voltage for the DCDC3 converter
- 1 = the output voltage of the DCDC3 converter is changed to the value defined in DEFCORE with the slew rate defined in DEFSLEW. This bit is automatically cleared when the DVM transition is complete. The transition is considered complete in this case when the desired output voltage code has been reached, not when the VDCDC3 output voltage is actually in regulation at the desired voltage.

Bit 6 CORE ADJ Allowed:

- 0 = the output voltage is set with the I<sup>2</sup>C register
- 1 = DEFDCDC3 is either connected to GND or VCC or an external voltage divider. When connected to GND or VCC, VDCDC3 defaults to 1.3 V or 1.55 V respectively at start-up

Bit 2 – 0 0 = the output capacitor of the associated converter is not actively discharged when the converter is disabled

- 1 = the output capacitor of the associated converter is actively discharged when the converter is disabled. This decreases the fall time of the output voltage at light load

**8.6.7 DEFCORE. Register Address: 06h (Read and Write), Default Value: 14h/1Eh**
**Table 10. DEFCORE Register**

DEFCORE	B7	B6	B5	B4	B3	B2	B1	B0
Bit name and function	–	–	–	CORE4	CORE3	CORE2	CORE1	CORE0
Default	0	0	0	1	DEFDCDC3	1	DEFDCDC3	0
Default value loaded	–	–	–	RESET(1)	RESET(1)	RESET(1)	RESET(1)	RESET(1)
Read/Write	–	–	–	R/W	R/W	R/W	R/W	R/W

RESET(1): DEFCORE is reset to its default value by one of these events:

- undervoltage lockout (UVLO)
- DCDC1 AND DCDC3 disabled
- $\overline{\text{HOT\_RESET}}$  pulled low
- $\overline{\text{RESPWRON}}$  active
- VRTC below threshold

**Table 11. DCDC3 DVS Voltages**

CORE4	CORE3	CORE2	CORE1	CORE0	VDCDC3	CORE4	CORE3	CORE2	CORE1	CORE0	VDCDC3
0	0	0	0	0	0.8 V	1	0	0	0	0	1.2 V
0	0	0	0	1	0.825 V	1	0	0	0	1	1.225 V
0	0	0	1	0	0.85 V	1	0	0	1	0	1.25 V
0	0	0	1	1	0.875 V	1	0	0	1	1	1.275 V
0	0	1	0	0	0.9 V	1	0	1	0	0	1.3 V
0	0	1	0	1	0.925 V	1	0	1	0	1	1.325 V
0	0	1	1	0	0.95 V	1	0	1	1	0	1.35 V
0	0	1	1	1	0.975 V	1	0	1	1	1	1.375 V
0	1	0	0	0	1 V	1	1	0	0	0	1.4 V
0	1	0	0	1	1.025 V	1	1	0	0	1	1.425 V
0	1	0	1	0	1.05 V	1	1	0	1	0	1.45 V
0	1	0	1	1	1.075 V	1	1	0	1	1	1.475 V
0	1	1	0	0	1.1 V	1	1	1	0	0	1.5 V
0	1	1	0	1	1.125 V	1	1	1	0	1	1.525 V
0	1	1	1	0	1.15 V	1	1	1	1	0	1.55 V
0	1	1	1	1	1.175 V	1	1	1	1	1	1.6 V

**8.6.8 DEFSLEW Register Address: 07h (Read and Write), Default Value: 06h**
**Table 12. DEFSLEW Register**

DEFSLEW	B7	B6	B5	B4	B3	B2	B1	B0
Bit name and function	–	–	–	–	–	SLEW2	SLEW1	SLEW0
Default	–	–	–	–	–	1	1	0
Default value loaded	–	–	–	–	–	UVLO	UVLO	UVLO
Read/Write	–	–	–	–	–	R/W	R/W	R/W

**Table 13. DCDC3 DVS Slew Rate**

SLEW2	SLEW1	SLEW0	VDCDC3 SLEW RATE
0	0	0	0.15 mV/μs
0	0	1	0.3 mV/μs
0	1	0	0.6 mV/μs
0	1	1	1.2 mV/μs
1	0	0	2.4 mV/μs
1	0	1	4.8 mV/μs
1	1	0	9.6 mV/μs
1	1	1	Immediate

**8.6.9 LDO\_CTRL Register Address: 08h (Read and Write), Default Value: 23h**

The LDO\_CTRL registers can be used to set the output voltage of LDO1 and LDO2.

**Table 14. LDO\_CTRL Register**

LDO_CTRL	B7	B6	B5	B4	B3	B2	B1	B0
Bit name and function	–	LDO2_2	LDO2_1	LDO2_0	–	LDO1_2	LDO1_1	LDO1_0
Default	–	0	1	0	–	0	1	1
Default value loaded	–	UVLO	UVLO	UVLO	–	UVLO	UVLO	UVLO
Read/Write	–	R/W	R/W	R/W	–	R/W	R/W	R/W

**Table 15. LDO2 and LDO3 I2C Voltage Options**

LDO1_2	LDO1_1	LDO1_0	LDO1 OUTPUT VOLTAGE		LDO2_2	LDO2_1	LDO2_0	LDO2 OUTPUT VOLTAGE
0	0	0	1 V		0	0	0	1 V
0	0	1	1.05 V		0	0	1	1.05 V
0	1	0	1.1 V		0	1	0	1.1 V
0	1	1	1.3 V		0	1	1	1.3 V
1	0	0	1.8 V		1	0	0	1.8 V
1	0	1	2.5 V		1	0	1	2.5 V
1	1	0	3 V		1	1	0	3 V
1	1	1	3.3 V		1	1	1	3.3 V

## 9 Application and Implementation

---

### NOTE

Information in the following applications sections is not part of the TI component specification, and TI does not warrant its accuracy or completeness. TI's customers are responsible for determining suitability of components for their purposes. Customers must validate and test their design implementation to confirm system functionality.

---

### 9.1 Application Information

#### 9.1.1 Input Voltage Connection

The low power section of the control circuit for the step-down converters DCDC1, DCDC2, and DCDC3 is supplied by the VCC pin while the circuitry with high power such as the power stage is powered from the VINDCDC1, VINDCDC2, and VINDCDC3 pins. For proper operation of the step-down converters, VINDCDC1, VINDCDC2, VINDCDC3, and VCC must be tied to the same voltage rail. Step-down converters that are not planned to be used, still must be powered from their input pin on the same rails than the other step-down converters and VCC.

LDO1 and LDO2 share a supply voltage pin which can be powered from the  $V_{CC}$  rails or from a voltage lower than  $V_{CC}$ , for example, the output of one of the step-down converters as long as it is operated within the input voltage range of the LDOs. If both LDOs are not used, the VINLDO pin can be tied to GND.

#### 9.1.2 Unused Regulators

In case a step-down converter is not used, its input supply voltage pin VINDCDCx still needs to be connected to the  $V_{CC}$  rail along with supply input of the other step-down converters. TI recommends closing the control loop such that an inductor and output capacitor is added in the same way as it would be when operated normally. If one of the LDOs is not used, its output capacitor must be added as well. If both LDOs are not used, the input supply pin as well as the output pins of the LDOs (VINLDO, VLDO1, VLDO2) must be tied to GND.

#### 9.1.3 Implementing a Push-Button On-Off Function Using PB\_IN and PB\_OUT

In mobile phone applications, the device must not automatically power up when the battery is inserted. Using PB\_IN and PB\_OUT prevents power up. After the main battery is inserted, the PB\_OUT open-drain output is low. When this pins is connected with PWRFAIL, the signal is pulled low, preventing the Intel PXA270 start up.

See the latest version of Intels technical specifications about the Intel PXA270 Processor Family for additional information on the functionality of this chip and possible limitations.

Application Information (continued)

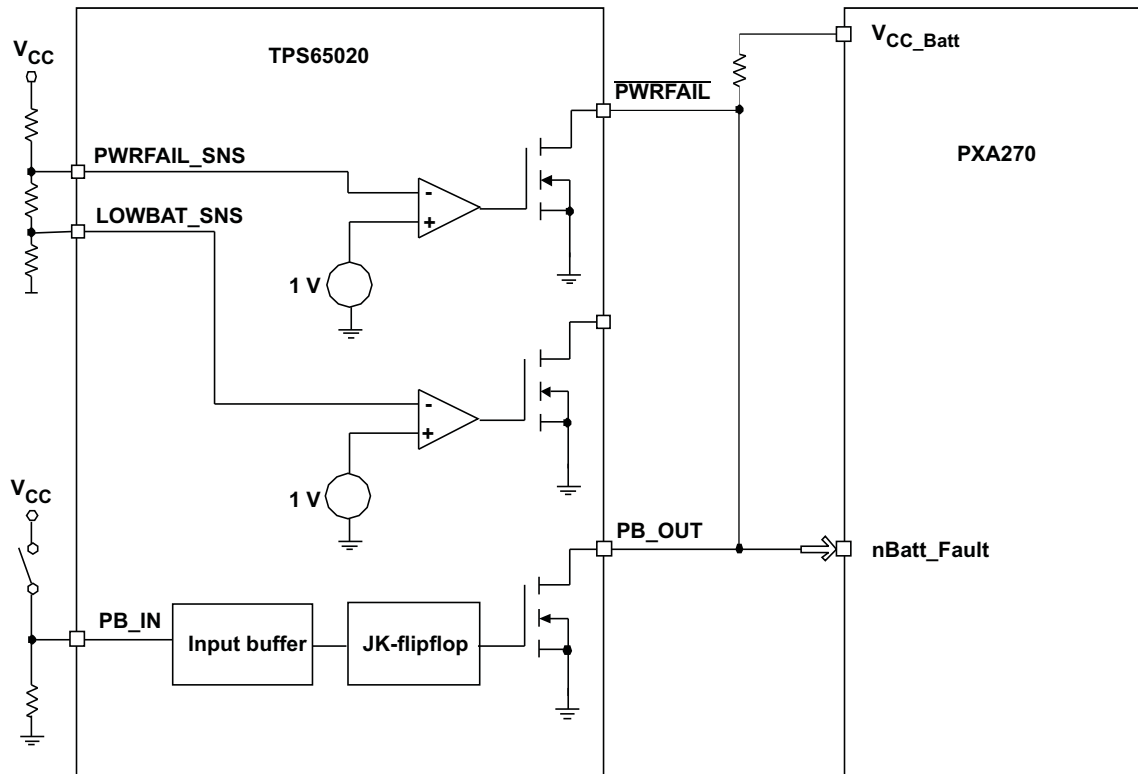
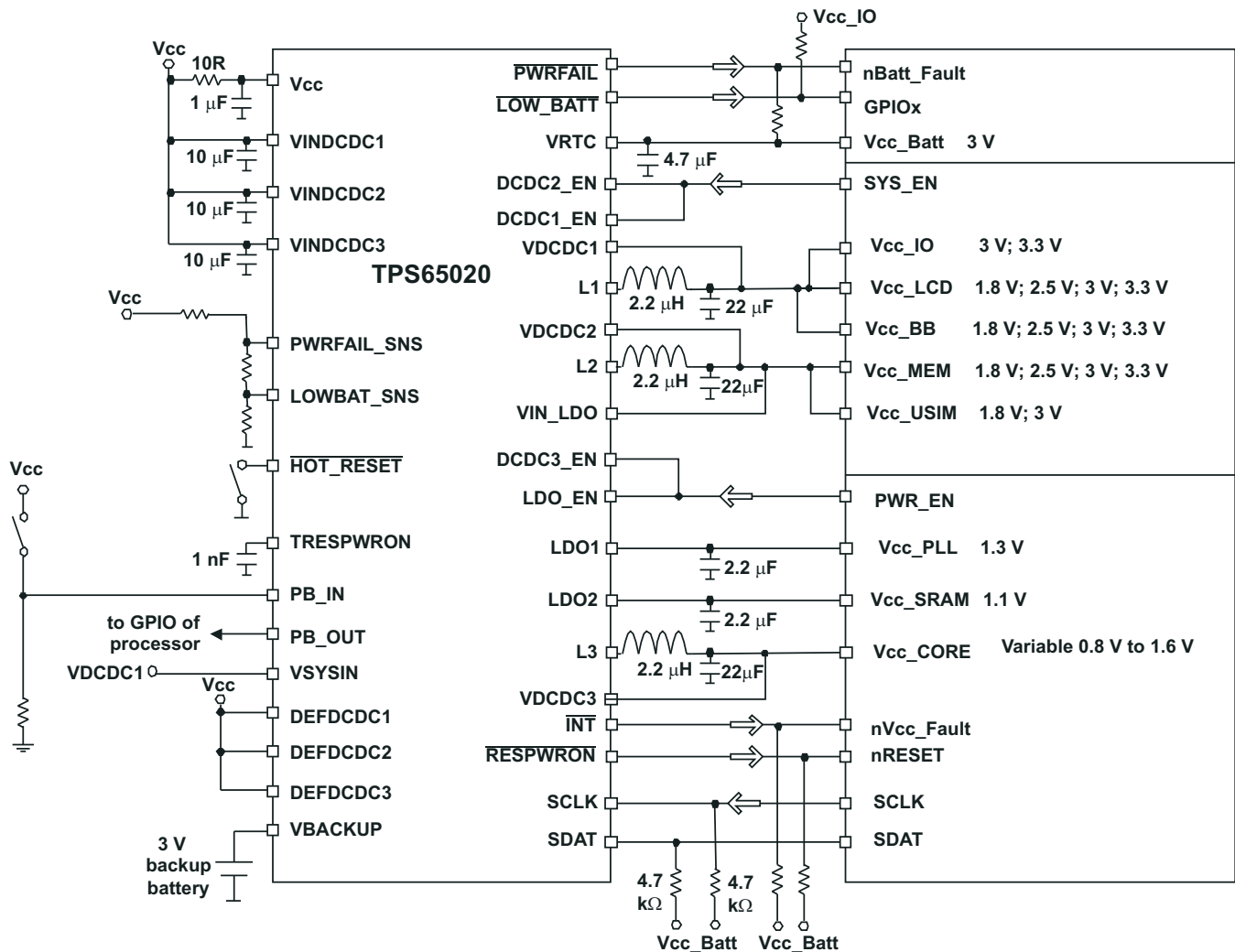


Figure 36. Control of the PXA270

## 9.2 Typical Application



**Figure 37. Typical Configuration for the Intel PXA270 Bulverde Processor**

### 9.2.1 Design Requirements

The TPS6502x devices have only a few design requirements. Use the following parameters for the design examples:

- 1- $\mu$ F bypass capacitor on VCC, located as close as possible to the VCC pin to ground
- VCC and VINDCDCx must be connected to the same voltage supply with minimal voltage difference.
- Input capacitors must be present on the VINDCDCx and VIN\_LDO supplies if used
- Output inductor and capacitors must be used on the outputs of the DCDC converters if used
- Output capacitors must be used on the outputs of the LDOs if used

### 9.2.2 Detailed Design Procedure

#### 9.2.2.1 Inductor Selection for the DC-DC Converters

Each of the converters in the TPS65020 typically use a 3.3- $\mu$ H output inductor. Larger or smaller inductor values are used to optimize the performance of the device for specific operation conditions. The selected inductor has to be rated for its DC resistance and saturation current. The DC resistance of the inductance influences directly the efficiency of the converter. Therefore, an inductor with lowest DC resistance must be selected for highest efficiency.

## Typical Application (continued)

For a fast transient response, a 2.2- $\mu$ H inductor in combination with a 22- $\mu$ F output capacitor is recommended.

Equation 8 calculates the maximum inductor current under static load conditions. The saturation current of the inductor must be rated higher than the maximum inductor current as calculated with Equation 8. This is needed because during heavy-load transient the inductor current rises above the value calculated under Equation 8.

$$\Delta I_L = V_{out} \times \frac{1 - \frac{V_{out}}{V_{in}}}{L \times f} \quad (8)$$

$$I_{Lmax} = I_{outmax} + \frac{\Delta I_L}{2}$$

where

- f = Switching Frequency (1.5 MHz typical)
- L = Inductor Value
- $\Delta I_L$  = Peak-to-Peak inductor ripple current
- $I_{LMAX}$  = Maximum Inductor current (9)

The highest inductor current occurs at maximum  $V_{in}$ .

Open-core inductors have a soft saturation characteristic, and they can usually handle higher inductor currents versus a comparable shielded inductor.

A more conservative approach is to select the inductor current rating just for the maximum switch current of the TPS65020 (2 A for the VDCDC1 and VDCDC2 converters, and 1.3 A for the VDCDC3 converter). The core material from inductor to inductor differs and has an impact on the efficiency especially at high switching frequencies.

See Table 16 and the typical applications for possible inductors.

**Table 16. Tested Inductors**

DEVICE	INDUCTOR VALUE	TYPE	COMPONENT SUPPLIER
DCDC3 converter	3.3 $\mu$ H	CDRH2D14NP-3R3	Sumida
	3.3 $\mu$ H	LPS3010-332	Coilcraft
	3.3 $\mu$ H	VLF4012AT-3R3M1R3	TDK
	2.2 $\mu$ H	VLF4012AT-2R2M1R5	TDK
	2.2 $\mu$ H	NR3015T2R2	Taiyo-Yuden
DCDC2 converter	3.3 $\mu$ H	CDRH2D18/HPNP-3R3	Sumida
	3.3 $\mu$ H	VLF4012AT-3R3M1R3	TDK
	2.2 $\mu$ H	VLCF4020-2R2	TDK
DCDC1 converter	3.3 $\mu$ H	CDRH3D14/HPNP-3R2	Sumida
	3.3 $\mu$ H	CDRH4D28C-3R2	Sumida
	3.3 $\mu$ H	MSS5131-332	Coilcraft
	2.2 $\mu$ H	VLCF4020-2R2	TDK

### 9.2.2.2 Output Capacitor Selection

The advanced fast response voltage mode control scheme of the inductive converters implemented in the TPS65020 allow the use of small ceramic capacitors with a typical value of 10  $\mu$ F for a 3.3- $\mu$ H inductor for each converter without having large output voltage under and overshoots during heavy-load transients.

For a fast transient response a 22- $\mu$ F capacitor with a 2.2- $\mu$ H inductor must be used on each converter.

Ceramic capacitors having low ESR values have the lowest output voltage ripple and are recommended. See Table 17 for recommended components.

If ceramic output capacitors are used, the capacitor RMS ripple current rating always meets the application requirements. Just for completeness, the RMS ripple current is calculated in Equation 10.

$$I_{\text{RMS Cout}} = \frac{1 - \frac{V_{\text{out}}}{V_{\text{in}}}}{L \times f} \times \frac{1}{2 \times \sqrt{3}} \quad (10)$$

At nominal load current, the inductive converters operate in PWM mode. The overall output voltage ripple is the sum of the voltage spike caused by the output capacitor ESR plus the voltage ripple caused by charging and discharging the output capacitor:

$$I_{\text{RMS Cout}} = \frac{1 - \frac{V_{\text{out}}}{V_{\text{in}}}}{L \times f} \times \left( \frac{1}{8 \times C_{\text{out}} \times f} + \text{ESR} \right)$$

where

- the highest output voltage ripple occurs at the highest input voltage  $V_{\text{in}}$  (11)

At light-load currents, the converters operate in PSM and the output voltage ripple is dependent on the output capacitor value. The output voltage ripple is set by the internal comparator delay and the external capacitor. The typical output voltage ripple is less than 1% of the nominal output voltage.

### 9.2.2.3 Input Capacitor Selection

Because of the nature of the buck converter having a pulsating input current, a low ESR input capacitor is required for best input voltage filtering and minimizing the interference with other circuits caused by high input voltage spikes. Each DC-DC converter requires a 10- $\mu\text{F}$  ceramic input capacitor on its input pin VINDCDCx. The input capacitor is increased without any limit for better input voltage filtering. The VCC pin is separated from the input for the DC-DC converters. A filter resistor of up to 10R and a 1- $\mu\text{F}$  capacitor is used for decoupling the VCC pin from switching noise. Note that the filter resistor may affect the UVLO threshold because up to 3 mA can flow through this resistor into the VCC pin when all converters are running in PWM mode.

**Table 17. Possible Capacitors**

CAPACITOR VALUE	CASE SIZE	COMPONENT SUPPLIER	COMMENTS
22 $\mu\text{F}$	1206	TDK C3216X5R0J226M	Ceramic
22 $\mu\text{F}$	1206	Taiyo Yuden JMK316BJ226ML	Ceramic
10 $\mu\text{F}$	0805	Taiyo Yuden JMK212BJ106M	Ceramic
10 $\mu\text{F}$	0805	TDK C2012X5R0J106M	Ceramic
22 $\mu\text{F}$	0805	TDK C2012X5R0J226MT	Ceramic
22 $\mu\text{F}$	0805	Taiyo Yuden JMK212BJ226MG	Ceramic

### 9.2.2.4 Output Voltage Selection

The DEFDCDC1, DEFDCDC2, and DEFDCDC3 pins are used to set the output voltage for each step-down converter. See the table for the default voltages if the pins are pulled to GND or to VCC. If a different voltage is needed, an external resistor divider can be added to the DEFDCDCx pin as shown in [Figure 38](#).

The output voltage of VDCDC3 is set with the I<sup>2</sup>C interface. If the voltage is changed from the default, using the DEFDCDC3 register, the output voltage only depends on the register value. Any resistor divider at DEFDCDC3 does not change the voltage set with the register. Bit B6 in the CON\_CTRL2 register is used to switch between the internal voltage setting or the voltage set with the external DEFDCDC3 pin for the VDCDC3 converter.

**Table 18. Voltage Options**

PIN	LEVEL	DEFAULT OUTPUT VOLTAGE
DEFDCDC1	VCC	3.3 V
	GND	3 V
DEFDCDC2	VCC	2.5 V
	GND	1.8 V
DEFDCDC3	VCC	1.55 V
	GND	1.3 V



Figure 38 illustrates how to use an external resistor divider at DEFDCDCx.

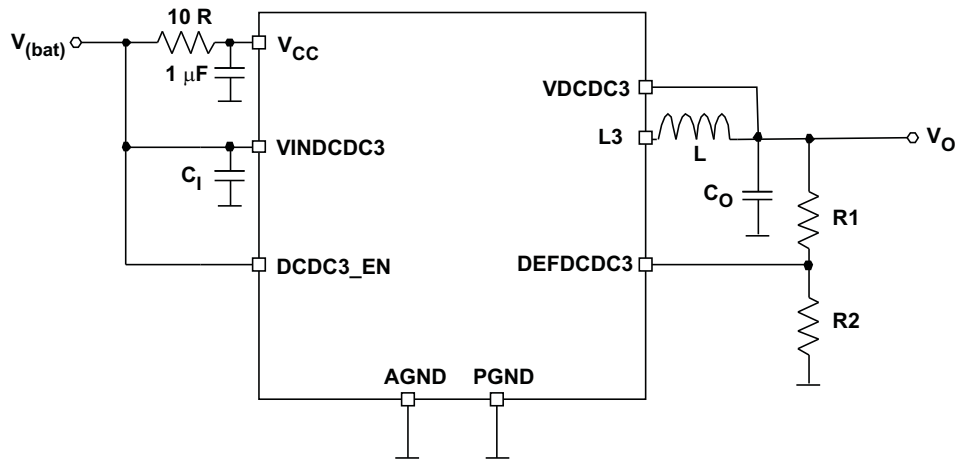


Figure 38. External Resistor Divider

When a resistor divider is connected to DEFDCDCx, the output voltage can be set from 0.6 V up to the input voltage  $V_{(bat)}$ . The total resistance ( $R1+R2$ ) of the voltage divider must be kept in the 1-MR range to maintain a high efficiency at light load.

$$V_{(DEFDCDCx)} = 0.6 \text{ V}$$

$$V_{OUT} = V_{DEFDCDCx} \times \frac{R1 + R2}{R2} \quad R1 = R2 \times \left( \frac{V_{OUT}}{V_{DEFDCDCx}} \right) - R2 \quad (12)$$

### 9.2.2.5 VRTC Output

The VRTC output is typically connected to the  $V_{CC\_Batt}$  pin of a Intel PXA270 processor. During power-up of the processor, the TPS65020 internally switches from the LDO or the backup battery to the system voltage connected at the VSYSIN pin (see Figure 30). It is required to add a capacitor of 4.7-µF minimum to the VRTC pin, even the output may be unused.

### 9.2.2.6 LDO1 and LDO2

The LDOs default voltage is 1.1 V for LDO2 and 1.3 V for LDO1. They are intended to provide power to VCC\_PLL and the VCC\_SRAM pin on a PXA270 processor. The minimum output capacitor required is 2.2 µF. The LDOs output voltage is changed to different voltages between 1 V and 3.3 V using the I<sup>2</sup>C interface. Therefore, they can also be used as general-purpose LDOs in applications powering processors different from PXA270. The supply voltage for the LDOs needs to be connected to the VINLDO pin, giving the flexibility to connect the lowest voltage available in the system, and providing the highest efficiency.

### 9.2.2.7 TRESPWRON

This is the input to a capacitor that defines the reset delay time after the voltage at VRTC rises above 2.52 V. The timing is generated by charging and discharging the capacitor with a current of 2 µA between a threshold of 0.25 V and 1 V for 128 cycles. A 1-nF capacitor gives a delay time of 100 ms.

While there is no real upper and lower limit for the capacitor connected to TRESPWRON, TI recommends not leaving signal pins open.

$$t_{(reset)} = 2 \times 128 \times \left( \frac{(1 \text{ V} - 0.25 \text{ V}) \times C_{(reset)}}{2 \mu\text{A}} \right)$$

where

- $t_{(reset)}$  is the reset delay time
  - $C_{(reset)}$  is the capacitor connected to the TRESPWRON pin
- (13)

The minimum and maximum values for the timing parameters called ICONST (2  $\mu$ A), TRESPWRON\_UPTH (1 V), and TRESPWRON\_LOWTH (0.25 V) can be found under the [Electrical Characteristics](#).

### 9.2.2.8 VCC Filter

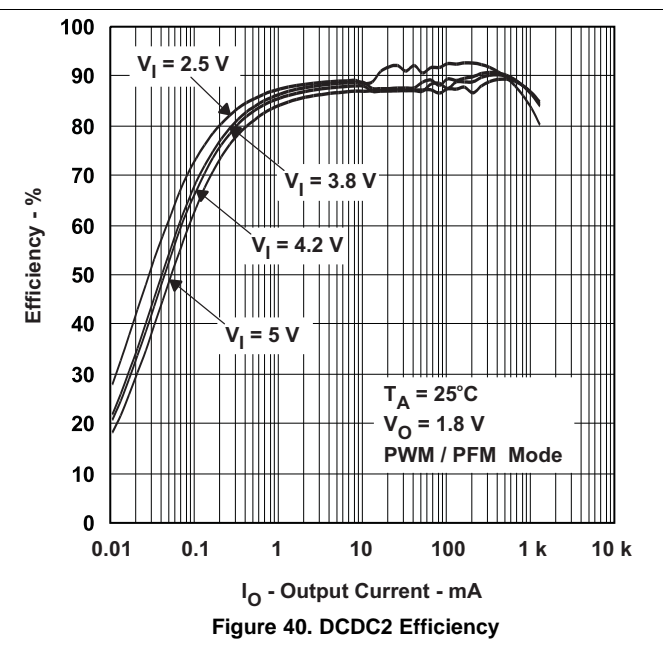
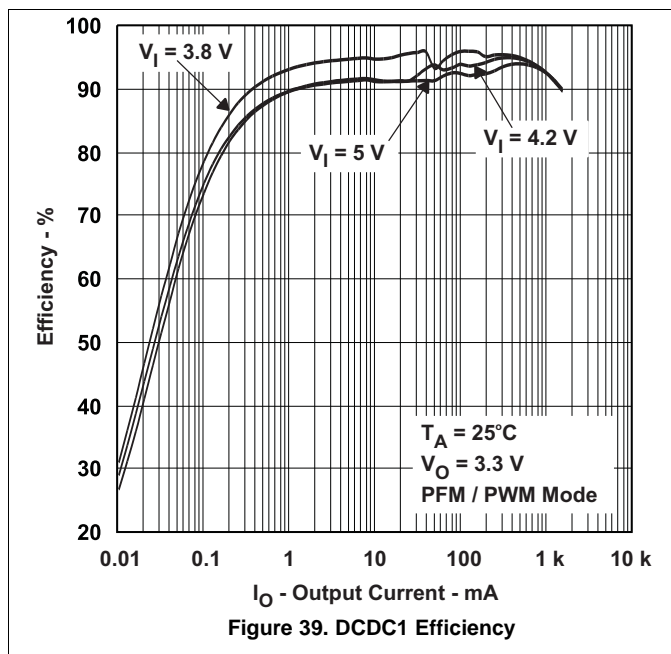
An RC filter connected at the VCC input is used to prevent noise from the internal supply for the bandgap and other analog circuitry. A typical resistor value of 1  $\Omega$  and 1  $\mu$ F is used to filter the switching spikes generated by the DC-DC converters. A resistor larger than 10  $\Omega$  must not be used because the current (up to 3 mA) into VCC causes a voltage drop at the resistor. This causes the undervoltage lockout circuitry connected internally at VCC to switch off too early.

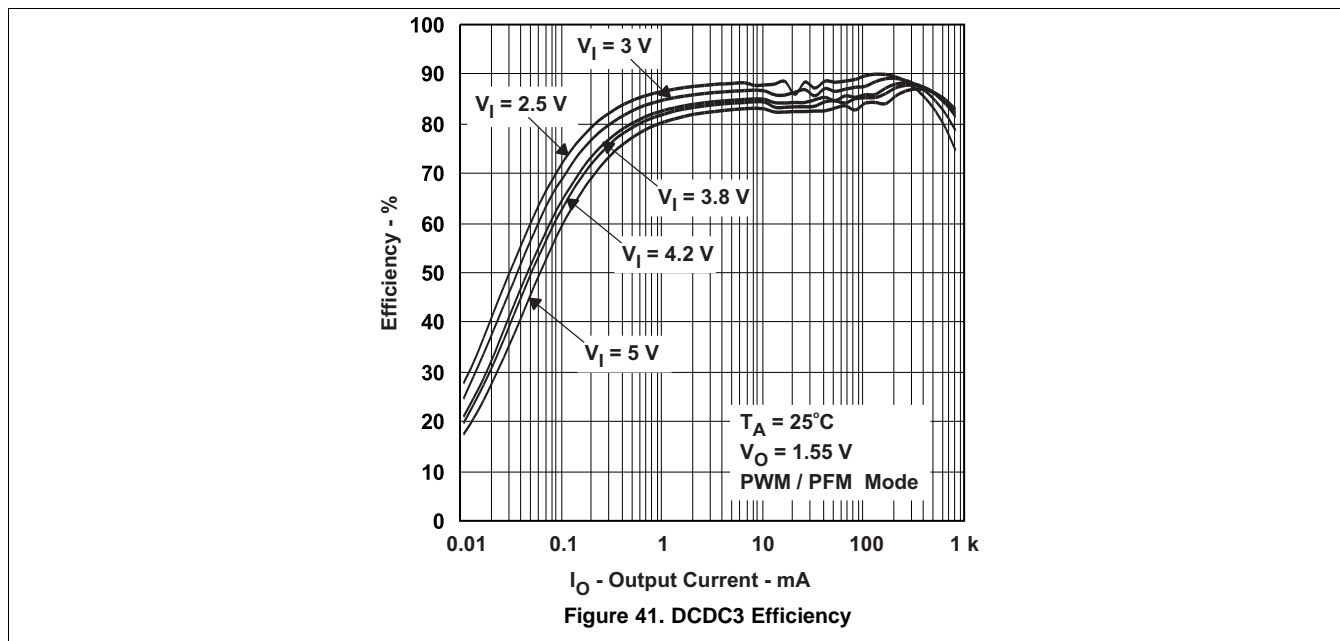
### 9.2.3 Application Curves

Graphs were taken using the EVM with the inductor and output capacitor combinations in [Table 19](#).

**Table 19. Inductor and Output Capacitor Combinations**

CONVERTER	INDUCTOR	OUTPUT CAPACITOR	OUTPUT CAPACITOR VALUE
VDCDC1	VLCF4020-2R2	C2012X5R0J106M	2 x 10 $\mu$ F
VDCDC2	VLCF4020-2R2	C2012X5R0J106M	2 x 10 $\mu$ F
VDCDC3	VLF4012AT-2R2M1R5	C2012X5R0J106M	2 x 10 $\mu$ F





## 10 Power Supply Recommendations

### 10.1 Requirements for Supply Voltages Below 3.0 V

For a supply voltage on pins  $V_{CC}$ ,  $V_{INDCDC1}$ ,  $V_{INDCDC2}$ , and  $V_{INDCDC3}$  below 3.0 V, TI recommends enabling the DCDC1, DCDC2, and DCDC3 converters in sequence. If all 3 step-down converters are enabled at the same time while the supply voltage is close to the internal reset detection threshold, a reset may be generated during power-up. Therefore, TI recommends enabling DC-DC converters in sequence. This can be done by driving one or two of the enable pins with an RC delay or by driving the enable pin by the output voltage of one of the other step-down converters. If a voltage above 3.0 V is applied on pin  $V_{BACKUP}$  while  $V_{CC}$  and  $V_{INDCDCx}$  is below 3.0 V, there is no restriction in the power-up sequencing as  $V_{BACKUP}$  is used to power the internal circuitry.

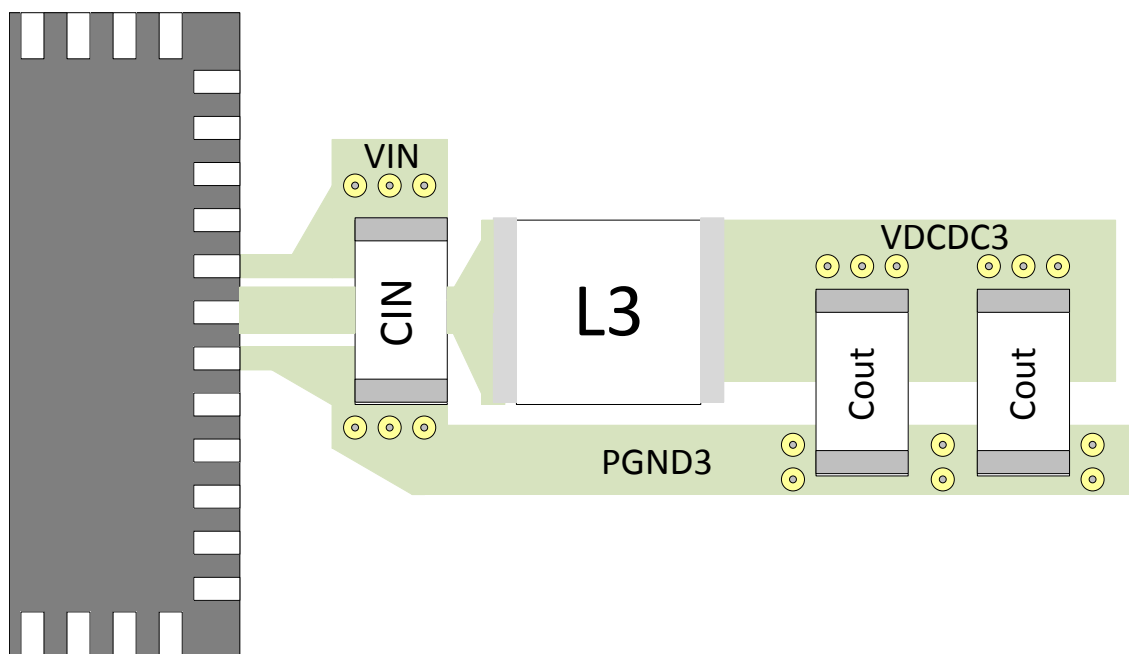
## 11 Layout

### 11.1 Layout Guidelines

As for all switching power supplies, the layout is an important step in the design. Proper function of the device demands careful attention to PCB layout. Take care in board layout to get the specified performance. If the layout is not carefully done, the regulators may show poor line regulation, load regulation, or both, and stability issues, as well as EMI problems. It is critical to provide a low impedance ground path. Therefore, use wide and short traces for the main current paths. The input capacitors must be placed as close as possible to the IC pins as well as the inductor and output capacitor.

For TPS65020, connect the PGND pins of the device to the PowerPAD land of the PCB and connect the analog ground connections (AGND) to the PGND at the PowerPAD. It is essential to provide a good thermal and electrical connection of all GND pins using multiple vias to the GND-plane. Keep the common path to the AGND pins, which returns the small signal components, and the high current of the output capacitors as short as possible to avoid ground noise. The VDCDCx line must be connected right to the output capacitor and routed away from noisy components and traces (for example, the L1, L2, and L3 traces).

### 11.2 Layout Example



**Figure 42. Layout Example of a DCDC Converter**

## 12 Device and Documentation Support

### 12.1 Device Support

#### 12.1.1 Third-Party Products Disclaimer

TI'S PUBLICATION OF INFORMATION REGARDING THIRD-PARTY PRODUCTS OR SERVICES DOES NOT CONSTITUTE AN ENDORSEMENT REGARDING THE SUITABILITY OF SUCH PRODUCTS OR SERVICES OR A WARRANTY, REPRESENTATION OR ENDORSEMENT OF SUCH PRODUCTS OR SERVICES, EITHER ALONE OR IN COMBINATION WITH ANY TI PRODUCT OR SERVICE.

### 12.2 Community Resources

The following links connect to TI community resources. Linked contents are provided "AS IS" by the respective contributors. They do not constitute TI specifications and do not necessarily reflect TI's views; see TI's [Terms of Use](#).

**TI E2E™ Online Community** *TI's Engineer-to-Engineer (E2E) Community*. Created to foster collaboration among engineers. At [e2e.ti.com](http://e2e.ti.com), you can ask questions, share knowledge, explore ideas and help solve problems with fellow engineers.

**Design Support** *TI's Design Support* Quickly find helpful E2E forums along with design support tools and contact information for technical support.

### 12.3 Trademarks

TMS320, OMAP, PowerPAD, E2E are trademarks of Texas Instruments.

Intel is a registered trademark of Intel Corporation.

All other trademarks are the property of their respective owners.

### 12.4 Electrostatic Discharge Caution



These devices have limited built-in ESD protection. The leads should be shorted together or the device placed in conductive foam during storage or handling to prevent electrostatic damage to the MOS gates.

### 12.5 Glossary

[SLYZ022](#) — *TI Glossary*.

This glossary lists and explains terms, acronyms, and definitions.

## 13 Mechanical, Packaging, and Orderable Information

The following pages include mechanical, packaging, and orderable information. This information is the most current data available for the designated devices. This data is subject to change without notice and revision of this document. For browser-based versions of this data sheet, refer to the left-hand navigation.

## PACKAGING INFORMATION

Orderable Device	Status (1)	Package Type	Package Drawing	Pins	Package Qty	Eco Plan (2)	Lead/Ball Finish (6)	MSL Peak Temp (3)	Op Temp (°C)	Device Marking (4/5)	Samples
TPS65020RHAR	ACTIVE	VQFN	RHA	40	2500	Green (RoHS & no Sb/Br)	CU NIPDAU	Level-3-260C-168 HR	-40 to 85	TPS 65020	<a href="#">Samples</a>
TPS65020RHARG4	ACTIVE	VQFN	RHA	40	2500	Green (RoHS & no Sb/Br)	CU NIPDAU	Level-3-260C-168 HR	-40 to 85	TPS 65020	<a href="#">Samples</a>
TPS65020RHAT	ACTIVE	VQFN	RHA	40	250	Green (RoHS & no Sb/Br)	CU NIPDAU	Level-3-260C-168 HR	-40 to 85	TPS 65020	<a href="#">Samples</a>
TPS65020RHATG4	ACTIVE	VQFN	RHA	40	250	Green (RoHS & no Sb/Br)	CU NIPDAU	Level-3-260C-168 HR	-40 to 85	TPS 65020	<a href="#">Samples</a>

(1) The marketing status values are defined as follows:

**ACTIVE:** Product device recommended for new designs.

**LIFEBUY:** TI has announced that the device will be discontinued, and a lifetime-buy period is in effect.

**NRND:** Not recommended for new designs. Device is in production to support existing customers, but TI does not recommend using this part in a new design.

**PREVIEW:** Device has been announced but is not in production. Samples may or may not be available.

**OBSOLETE:** TI has discontinued the production of the device.

(2) Eco Plan - The planned eco-friendly classification: Pb-Free (RoHS), Pb-Free (RoHS Exempt), or Green (RoHS & no Sb/Br) - please check <http://www.ti.com/productcontent> for the latest availability information and additional product content details.

**TBD:** The Pb-Free/Green conversion plan has not been defined.

**Pb-Free (RoHS):** TI's terms "Lead-Free" or "Pb-Free" mean semiconductor products that are compatible with the current RoHS requirements for all 6 substances, including the requirement that lead not exceed 0.1% by weight in homogeneous materials. Where designed to be soldered at high temperatures, TI Pb-Free products are suitable for use in specified lead-free processes.

**Pb-Free (RoHS Exempt):** This component has a RoHS exemption for either 1) lead-based flip-chip solder bumps used between the die and package, or 2) lead-based die adhesive used between the die and leadframe. The component is otherwise considered Pb-Free (RoHS compatible) as defined above.

**Green (RoHS & no Sb/Br):** TI defines "Green" to mean Pb-Free (RoHS compatible), and free of Bromine (Br) and Antimony (Sb) based flame retardants (Br or Sb do not exceed 0.1% by weight in homogeneous material)

(3) MSL, Peak Temp. - The Moisture Sensitivity Level rating according to the JEDEC industry standard classifications, and peak solder temperature.

(4) There may be additional marking, which relates to the logo, the lot trace code information, or the environmental category on the device.

(5) Multiple Device Markings will be inside parentheses. Only one Device Marking contained in parentheses and separated by a "~" will appear on a device. If a line is indented then it is a continuation of the previous line and the two combined represent the entire Device Marking for that device.

(6) Lead/Ball Finish - Orderable Devices may have multiple material finish options. Finish options are separated by a vertical ruled line. Lead/Ball Finish values may wrap to two lines if the finish value exceeds the maximum column width.

**Important Information and Disclaimer:** The information provided on this page represents TI's knowledge and belief as of the date that it is provided. TI bases its knowledge and belief on information provided by third parties, and makes no representation or warranty as to the accuracy of such information. Efforts are underway to better integrate information from third parties. TI has taken and continues to take reasonable steps to provide representative and accurate information but may not have conducted destructive testing or chemical analysis on incoming materials and chemicals. TI and TI suppliers consider certain information to be proprietary, and thus CAS numbers and other limited information may not be available for release.

In no event shall TI's liability arising out of such information exceed the total purchase price of the TI part(s) at issue in this document sold by TI to Customer on an annual basis.

## TAPE AND REEL INFORMATION



### QUADRANT ASSIGNMENTS FOR PIN 1 ORIENTATION IN TAPE



\*All dimensions are nominal

Device	Package Type	Package Drawing	Pins	SPQ	Reel Diameter (mm)	Reel Width W1 (mm)	A0 (mm)	B0 (mm)	K0 (mm)	P1 (mm)	W (mm)	Pin1 Quadrant
TPS65020RHAT	VQFN	RHA	40	250	180.0	16.4	6.3	6.3	1.1	12.0	16.0	Q2



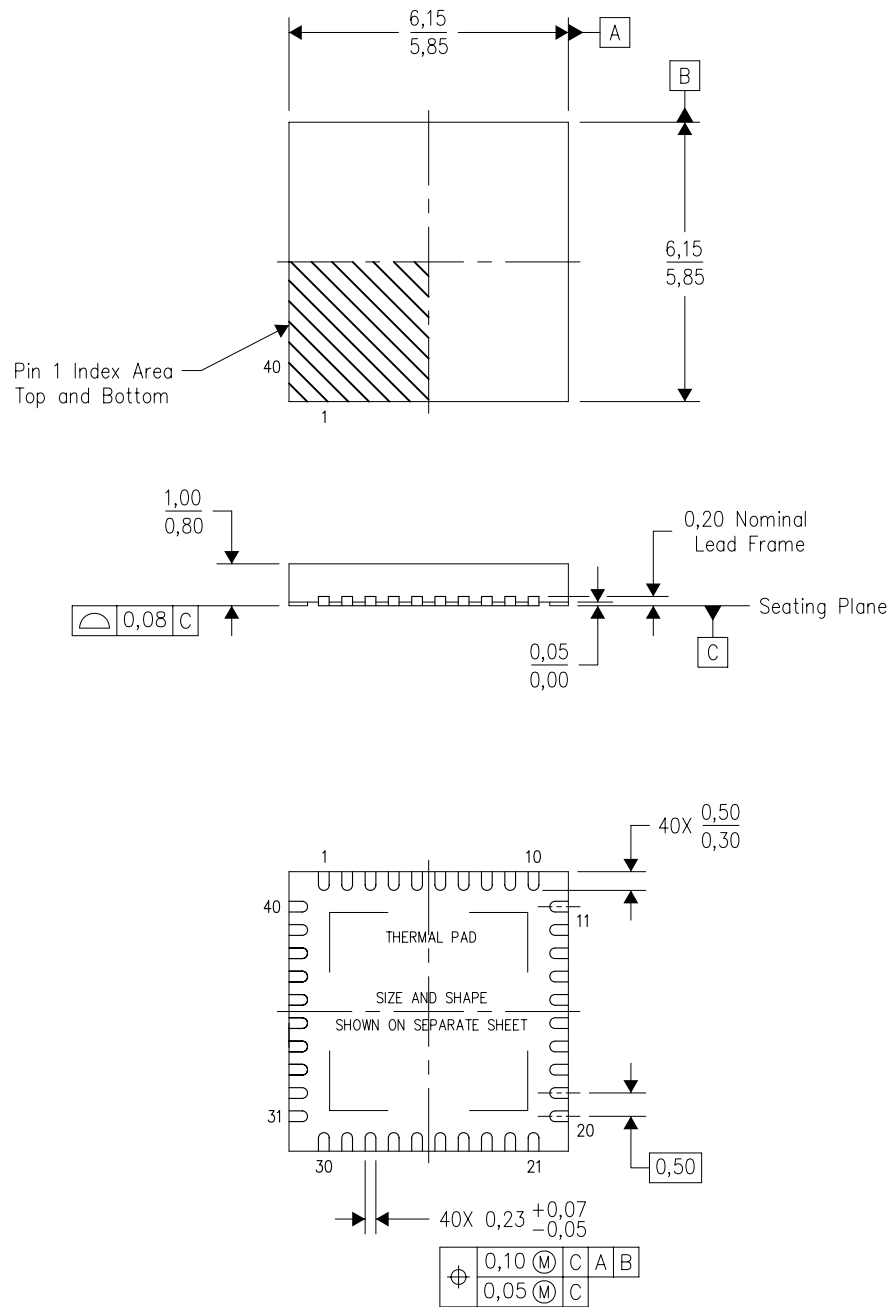
**TAPE AND REEL BOX DIMENSIONS**


\*All dimensions are nominal

Device	Package Type	Package Drawing	Pins	SPQ	Length (mm)	Width (mm)	Height (mm)
TPS65020RHAT	VQFN	RHA	40	250	210.0	185.0	35.0

RHA (S-PVQFN-N40)

PLASTIC QUAD FLATPACK NO-LEAD



Bottom View

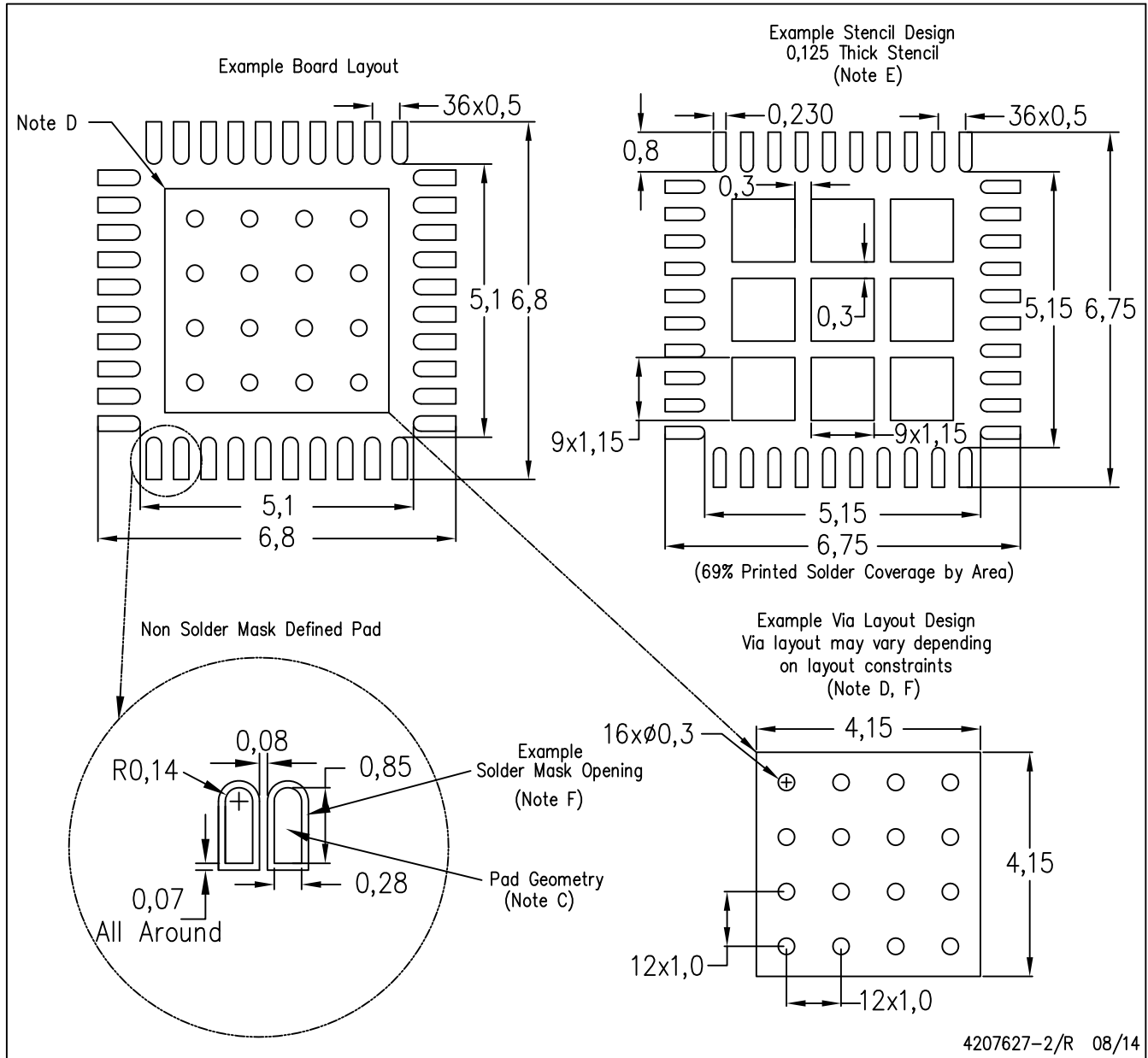
4204276/E 06/11

- NOTES:
- All linear dimensions are in millimeters. Dimensioning and tolerancing per ASME Y14.5M-1994.
  - This drawing is subject to change without notice.
  - QFN (Quad Flatpack No-Lead) Package configuration.
  - The package thermal pad must be soldered to the board for thermal and mechanical performance.
  - See the additional figure in the Product Data Sheet for details regarding the exposed thermal pad features and dimensions.
  - Package complies to JEDEC MO-220 variation VJJD-2.



RHA (S-PVQFN-N40)

PLASTIC QUAD FLATPACK NO-LEAD



- NOTES:
- All linear dimensions are in millimeters.
  - This drawing is subject to change without notice.
  - Publication IPC-7351 is recommended for alternate designs.
  - This package is designed to be soldered to a thermal pad on the board. Refer to Application Note, Quad Flat-Pack Packages, Texas Instruments Literature No. SLUA271, and also the Product Data Sheets for specific thermal information, via requirements, and recommended board layout. These documents are available at [www.ti.com](http://www.ti.com) <<http://www.ti.com>>.
  - Laser cutting apertures with trapezoidal walls and also rounding corners will offer better paste release. Customers should contact their board assembly site for stencil design recommendations. Refer to IPC 7525 for stencil design considerations.
  - Customers should contact their board fabrication site for recommended solder mask tolerances and via tenting recommendations for vias placed in the thermal pad.

## IMPORTANT NOTICE

Texas Instruments Incorporated and its subsidiaries (TI) reserve the right to make corrections, enhancements, improvements and other changes to its semiconductor products and services per JESD46, latest issue, and to discontinue any product or service per JESD48, latest issue. Buyers should obtain the latest relevant information before placing orders and should verify that such information is current and complete. All semiconductor products (also referred to herein as "components") are sold subject to TI's terms and conditions of sale supplied at the time of order acknowledgment.

TI warrants performance of its components to the specifications applicable at the time of sale, in accordance with the warranty in TI's terms and conditions of sale of semiconductor products. Testing and other quality control techniques are used to the extent TI deems necessary to support this warranty. Except where mandated by applicable law, testing of all parameters of each component is not necessarily performed.

TI assumes no liability for applications assistance or the design of Buyers' products. Buyers are responsible for their products and applications using TI components. To minimize the risks associated with Buyers' products and applications, Buyers should provide adequate design and operating safeguards.

TI does not warrant or represent that any license, either express or implied, is granted under any patent right, copyright, mask work right, or other intellectual property right relating to any combination, machine, or process in which TI components or services are used. Information published by TI regarding third-party products or services does not constitute a license to use such products or services or a warranty or endorsement thereof. Use of such information may require a license from a third party under the patents or other intellectual property of the third party, or a license from TI under the patents or other intellectual property of TI.

Reproduction of significant portions of TI information in TI data books or data sheets is permissible only if reproduction is without alteration and is accompanied by all associated warranties, conditions, limitations, and notices. TI is not responsible or liable for such altered documentation. Information of third parties may be subject to additional restrictions.

Resale of TI components or services with statements different from or beyond the parameters stated by TI for that component or service voids all express and any implied warranties for the associated TI component or service and is an unfair and deceptive business practice. TI is not responsible or liable for any such statements.

Buyer acknowledges and agrees that it is solely responsible for compliance with all legal, regulatory and safety-related requirements concerning its products, and any use of TI components in its applications, notwithstanding any applications-related information or support that may be provided by TI. Buyer represents and agrees that it has all the necessary expertise to create and implement safeguards which anticipate dangerous consequences of failures, monitor failures and their consequences, lessen the likelihood of failures that might cause harm and take appropriate remedial actions. Buyer will fully indemnify TI and its representatives against any damages arising out of the use of any TI components in safety-critical applications.

In some cases, TI components may be promoted specifically to facilitate safety-related applications. With such components, TI's goal is to help enable customers to design and create their own end-product solutions that meet applicable functional safety standards and requirements. Nonetheless, such components are subject to these terms.

No TI components are authorized for use in FDA Class III (or similar life-critical medical equipment) unless authorized officers of the parties have executed a special agreement specifically governing such use.

Only those TI components which TI has specifically designated as military grade or "enhanced plastic" are designed and intended for use in military/aerospace applications or environments. Buyer acknowledges and agrees that any military or aerospace use of TI components which have **not** been so designated is solely at the Buyer's risk, and that Buyer is solely responsible for compliance with all legal and regulatory requirements in connection with such use.

TI has specifically designated certain components as meeting ISO/TS16949 requirements, mainly for automotive use. In any case of use of non-designated products, TI will not be responsible for any failure to meet ISO/TS16949.

### Products

Audio	<a href="http://www.ti.com/audio">www.ti.com/audio</a>
Amplifiers	<a href="http://amplifier.ti.com">amplifier.ti.com</a>
Data Converters	<a href="http://dataconverter.ti.com">dataconverter.ti.com</a>
DLP® Products	<a href="http://www.dlp.com">www.dlp.com</a>
DSP	<a href="http://dsp.ti.com">dsp.ti.com</a>
Clocks and Timers	<a href="http://www.ti.com/clocks">www.ti.com/clocks</a>
Interface	<a href="http://interface.ti.com">interface.ti.com</a>
Logic	<a href="http://logic.ti.com">logic.ti.com</a>
Power Mgmt	<a href="http://power.ti.com">power.ti.com</a>
Microcontrollers	<a href="http://microcontroller.ti.com">microcontroller.ti.com</a>
RFID	<a href="http://www.ti-rfid.com">www.ti-rfid.com</a>
OMAP Applications Processors	<a href="http://www.ti.com/omap">www.ti.com/omap</a>
Wireless Connectivity	<a href="http://www.ti.com/wirelessconnectivity">www.ti.com/wirelessconnectivity</a>

### Applications

Automotive and Transportation	<a href="http://www.ti.com/automotive">www.ti.com/automotive</a>
Communications and Telecom	<a href="http://www.ti.com/communications">www.ti.com/communications</a>
Computers and Peripherals	<a href="http://www.ti.com/computers">www.ti.com/computers</a>
Consumer Electronics	<a href="http://www.ti.com/consumer-apps">www.ti.com/consumer-apps</a>
Energy and Lighting	<a href="http://www.ti.com/energy">www.ti.com/energy</a>
Industrial	<a href="http://www.ti.com/industrial">www.ti.com/industrial</a>
Medical	<a href="http://www.ti.com/medical">www.ti.com/medical</a>
Security	<a href="http://www.ti.com/security">www.ti.com/security</a>
Space, Avionics and Defense	<a href="http://www.ti.com/space-avionics-defense">www.ti.com/space-avionics-defense</a>
Video and Imaging	<a href="http://www.ti.com/video">www.ti.com/video</a>

### TI E2E Community

[e2e.ti.com](http://e2e.ti.com)