

# TXB0102 2-Bit Bidirectional Voltage-Level Translator With Auto Direction Sensing and $\pm 15$ -kV ESD Protection

## 1 Features

- Available in the Texas Instruments NanoFree™ Packages
- 1.2 V to 3.6 V on A Port and 1.65 V to 5.5 V On B Port ( $V_{CCA} \leq V_{CCB}$ )
- $V_{CC}$  Isolation Feature – If Either  $V_{CC}$  Input Is at GND, All Outputs Are in the High-Impedance State
- OE Input Circuit Referenced to  $V_{CCA}$
- Low Power Consumption, 4- $\mu$ A Max  $I_{CC}$
- $I_{off}$  Supports Partial-Power-Down Mode Operation
- Latch-Up Performance Exceeds 100 mA Per JESD 78, Class II
- ESD Protection Exceeds JESD 22
  - A Port
    - 2500-V Human-Body Model (A114-B)
    - 200-V Machine Model (A115-A)
    - 1500-V Charged-Device Model (C101)
  - B Port
    - 15-kV Human-Body Model (A114-B)
    - 200-V Machine Model (A115-A)
    - 1500-V Charged-Device Model (C101)

## 2 Applications

- Handsets
- Smartphones
- Tablets
- Desktop PCs

## 3 Description

The TXB0102 device is a 2-bit noninverting translator that uses two separate configurable power-supply rails. The A port is designed to track  $V_{CCA}$ .  $V_{CCA}$  accepts any supply voltage from 1.2 V to 3.6 V. The B port is designed to track  $V_{CCB}$ .  $V_{CCB}$  accepts any supply voltage from 1.65 V to 5.5 V. This allows for universal low-voltage bidirectional translation between any of the 1.2-V, 1.5-V, 1.8-V, 2.5-V, 3.3-V, and 5-V voltage nodes.  $V_{CCA}$  must not exceed  $V_{CCB}$ .

When the output-enable (OE) input is low, all outputs are placed in the high-impedance state.

This device is fully specified for partial-power-down applications using  $I_{off}$ . The  $I_{off}$  circuitry disables the outputs when the device is powered down. This inhibits current backflow into the device which prevents damage to the device.

OE must be tied to GND through a pulldown resistor to assure the high-impedance state during power up or power down; the minimum value of the resistor is determined by the current-sourcing capability of the driver.

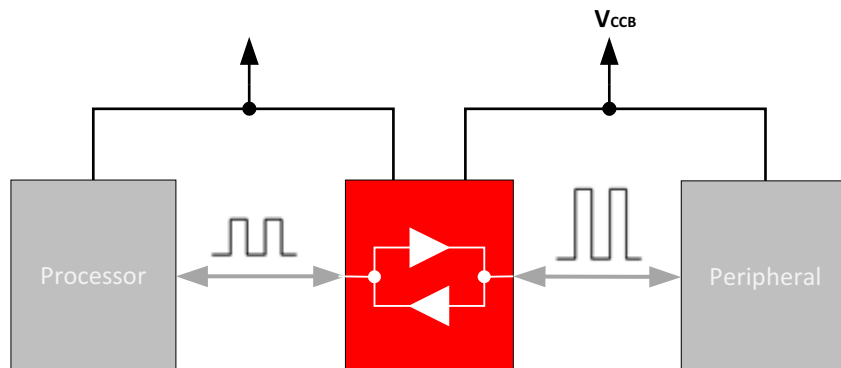
NanoFree™ technology is a major breakthrough in IC packaging concepts, using the die as the package.

### Device Information<sup>(1)</sup>

PART NUMBER	PACKAGE	BODY SIZE (NOM)
TXB0102DCU	VSSOP (8)	2.30 mm x 2.00 mm
TXB0102YZP	DSBGA (8)	0.90 mm x 1.80 mm

(1) For all available packages, see the orderable addendum at the end of the datasheet.

### Typical Operating Circuit



## Table of Contents

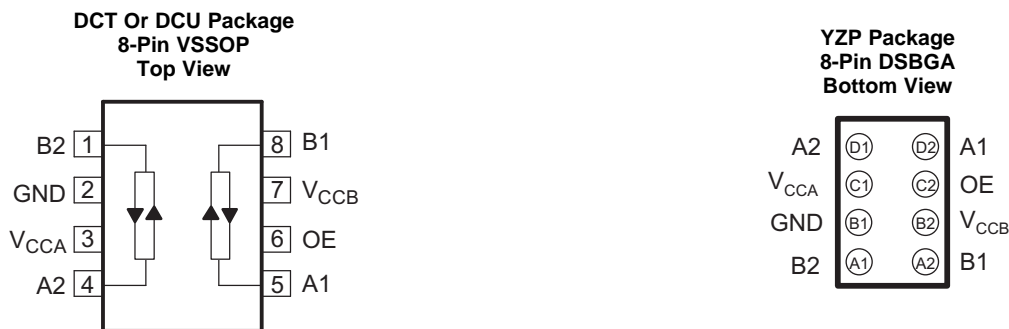
<b>1 Features</b> .....	<b>1</b>	6.18 Typical Characteristics .....	<b>19</b>
<b>2 Applications</b> .....	<b>1</b>	<b>7 Parameter Measurement Information</b> .....	<b>20</b>
<b>3 Description</b> .....	<b>1</b>	<b>8 Detailed Description</b> .....	<b>21</b>
<b>4 Revision History</b> .....	<b>2</b>	8.1 Overview .....	<b>21</b>
<b>5 Pin Configuration and Functions</b> .....	<b>3</b>	8.2 Functional Block Diagram .....	<b>21</b>
<b>6 Specifications</b> .....	<b>4</b>	8.3 Feature Description .....	<b>22</b>
6.1 Absolute Maximum Ratings .....	<b>4</b>	8.4 Device Functional Modes .....	<b>23</b>
6.2 ESD Ratings .....	<b>4</b>	<b>9 Application and Implementation</b> .....	<b>24</b>
6.3 Recommended Operating Conditions .....	<b>5</b>	9.1 Application Information .....	<b>24</b>
6.4 Thermal Information .....	<b>5</b>	9.2 Typical Application .....	<b>24</b>
6.5 Electrical Characteristics: $T_A = 25^\circ\text{C}$ .....	<b>6</b>	<b>10 Power Supply Recommendations</b> .....	<b>26</b>
6.6 Electrical Characteristics: $T_A = -40^\circ\text{C}$ to $+85^\circ\text{C}^{(1) (2)}$ .....	<b>7</b>	<b>11 Layout</b> .....	<b>26</b>
6.7 Operating Characteristics .....	<b>8</b>	11.1 Layout Guidelines .....	<b>26</b>
6.8 $V_{CCA} = 1.2\text{ V}$ Timing Requirements .....	<b>10</b>	11.2 Layout Example .....	<b>26</b>
6.9 $V_{CCA} = 1.5\text{ V} \pm 0.1\text{ V}$ Timing Requirements .....	<b>10</b>	<b>12 Device and Documentation Support</b> .....	<b>27</b>
6.10 $V_{CCA} = 1.8\text{ V} \pm 0.15\text{ V}$ Timing Requirements .....	<b>10</b>	12.1 Documentation Support .....	<b>27</b>
6.11 $V_{CCA} = 2.5\text{ V} \pm 0.2\text{ V}$ Timing Requirements .....	<b>10</b>	12.2 Receiving Notification of Documentation Updates .....	<b>27</b>
6.12 $V_{CCA} = 3.3\text{ V} \pm 0.3\text{ V}$ Timing Requirements .....	<b>11</b>	12.3 Community Resources .....	<b>27</b>
6.13 $V_{CCA} = 1.2\text{ V}$ Switching Characteristics .....	<b>11</b>	12.4 Trademarks .....	<b>27</b>
6.14 $V_{CCA} = 1.5\text{ V} \pm 0.1\text{ V}$ Switching Characteristics ...	<b>13</b>	12.5 Electrostatic Discharge Caution .....	<b>27</b>
6.15 $V_{CCA} = 1.8\text{ V} \pm 0.15\text{ V}$ Switching Characteristics .	<b>15</b>	12.6 Glossary .....	<b>27</b>
6.16 $V_{CCA} = 2.5\text{ V} \pm 0.2\text{ V}$ Switching Characteristics ...	<b>17</b>	<b>13 Mechanical, Packaging, and Orderable Information</b> .....	<b>27</b>
6.17 $V_{CCA} = 3.3\text{ V} \pm 0.3\text{ V}$ Switching Characteristics ...	<b>17</b>		

## 4 Revision History

NOTE: Page numbers for previous revisions may differ from page numbers in the current version.

<b>Changes from Revision C (December 2014) to Revision D</b> .....	<b>Page</b>
• Changed format of <i>Pin Functions</i> tables. ....	<b>3</b>
• Added Junction temperature, $T_J$ in <i>Absolute Maximum Ratings</i> .....	<b>4</b>
<b>Changes from Revision B (March 2012) to Revision C</b> .....	<b>Page</b>
• Added <i>Pin Configuration and Functions</i> section, <i>Handling Rating</i> table, <i>Feature Description</i> section, <i>Device Functional Modes</i> , <i>Application and Implementation</i> section, <i>Power Supply Recommendations</i> section, <i>Layout</i> section, <i>Device and Documentation Support</i> section, and <i>Mechanical, Packaging, and Orderable Information</i> section .....	<b>1</b>
<b>Changes from Revision A (January 2011) to Revision B</b> .....	<b>Page</b>
• Added notes to pin out graphics. ....	<b>3</b>
<b>Changes from Original (May 2007) to Revision A</b> .....	<b>Page</b>
• Added ball labels to the YZP Package. ....	<b>3</b>

## 5 Pin Configuration and Functions



- Pullup resistors are not recommended on TXB0102 I/O pins.
- If pullup resistors are needed for open drain communication, please refer to the TXS0102 or contact TI.
- If pullup or pulldown resistors are needed, the resistor value must be over 50 k $\Omega$ . See [Effects of External Pullup and Pulldown Resistors on TXS and TXB Devices](#).
- 50 k $\Omega$  is a safe recommended value, if the customer can accept higher  $V_{OL}$  or lower  $V_{CCOUT}$ , smaller pullup or pulldown resistor is allowed, the draft estimation is  $V_{OL} = V_{CCOUT} \times 4.5k / (4.5k + R_{pu})$  and  $V_{OH} = V_{CCOUT} \times R_{dw} / (4.5k + R_{dw})$ .
- For detailed information, See [A Guide to Voltage Translation With TXB-Type Translators](#).

### Pin Functions: YZP

PIN		TYPE <sup>(1)</sup>	DESCRIPTION
NO.	NAME		
A1	B2	I/O	Input/output B2. Referenced to $V_{CCB}$ .
A2	B1	I/O	Input/output B1. Referenced to $V_{CCB}$ .
B1	GND	S	Ground
B2	$V_{CCB}$	S	B-port supply voltage. $1.65\text{ V} \leq V_{CCB} \leq 5.5\text{ V}$
C1	$V_{CCA}$	S	A-port supply voltage. $1.1\text{ V} \leq V_{CCA} \leq 3.6\text{ V}$ , $V_{CCA} \leq V_{CCB}$
C2	OE	I	3-state output-mode enable. Pull OE low to place all outputs in 3-state mode. Referenced to $V_{CCA}$
D1	A2	I/O	Input/output A2. Referenced to $V_{CCA}$
D2	A1	I/O	Input/output A1. Referenced to $V_{CCA}$

(1) I = input, O = output, I/O = input and output, S = power supply

### Pin Functions: DCT or DCU

PIN		TYPE <sup>(1)</sup>	DESCRIPTION
NAME	NO.		
B2	1	I/O	Input/output B2. Referenced to $V_{CCB}$
GND	2	S	Ground
$V_{CCA}$	3	S	A-port supply voltage. $1.1\text{ V} \leq V_{CCA} \leq 3.6\text{ V}$ , $V_{CCA} \leq V_{CCB}$
A2	4	I/O	Input/output A2. Referenced to $V_{CCA}$
A1	5	I/O	Input/output A1. Referenced to $V_{CCA}$
OE	6	I	3-state output-mode enable. Pull OE low to place all outputs in 3-state mode. Referenced to $V_{CCA}$
$V_{CCB}$	7	S	B-port supply voltage. $1.65\text{ V} \leq V_{CCB} \leq 5.5\text{ V}$
B1	8	I/O	Input/output B1. Referenced to $V_{CCB}$

(1) I = input, O = output, I/O = input and output, S = power supply

## 6 Specifications

### 6.1 Absolute Maximum Ratings

over operating free-air temperature range (unless otherwise noted)<sup>(1)</sup>

			MIN	MAX	UNIT	
$V_{CCA}$	Supply voltage		-0.5	4.6	V	
$V_{CCB}$			-0.5	6.5		
$V_I$	Input voltage <sup>(2)</sup>	A port	-0.5	4.6	V	
		B port	-0.5	6.5		
$V_O$	Voltage range applied to any output in the high-impedance or power-off state <sup>(2)</sup>	A port	-0.5	4.6	V	
		B port	-0.5	6.5		
$V_O$	Voltage range applied to any output in the high or low state <sup>(2) (3)</sup>	A port	-0.5	$V_{CCA} + 0.5$	V	
		B port	-0.5	$V_{CCB} + 0.5$		
$I_{IK}$	Input clamp current	$V_I < 0$		-50	mA	
$I_{OK}$	Output clamp current	$V_O < 0$		-50	mA	
$I_O$	Continuous output current			±50	mA	
		Continuous current through $V_{CCA}$ , $V_{CCB}$ , or GND		±100		
$T_J$	Junction temperature			150	°C	
$T_{stg}$	Storage temperature			-65	150	°C

- (1) Stresses beyond those listed under *Absolute Maximum Ratings* may cause permanent damage to the device. These are stress ratings only, and functional operation of the device at these or any other conditions beyond those indicated under *Recommended Operating Conditions* is not implied. Exposure to absolute-maximum-rated conditions for extended periods may affect device reliability.
- (2) The input and output negative-voltage ratings may be exceeded if the input and output current ratings are observed.
- (3) The value of  $V_{CCA}$  and  $V_{CCB}$  are provided in the recommended operating conditions table.

### 6.2 ESD Ratings

		PORTS	VALUE	UNIT
$V_{(ESD)}$	Electrostatic discharge	Human body model (HBM), per ANSI/ESDA/JEDEC JS-001 <sup>(1)</sup>		V
		A Port	±2500	
		B Port	±1500	
		Charged device model (CDM), per JEDEC specification JESD22-C101 <sup>(2)</sup>		V
		A Port	±1500	
		B Port	±1500	
Machine model (MM), per A115-A		V		
A Port	±200			
B Port	±200			

- (1) JEDEC document JEP155 states that 500-V HBM allows safe manufacturing with a standard ESD control process.
- (2) JEDEC document JEP157 states that 250-V CDM allows safe manufacturing with a standard ESD control process.

### 6.3 Recommended Operating Conditions

See <sup>(1)</sup> <sup>(2)</sup>

			$V_{CCA}$	$V_{CCB}$	MIN	MAX	UNIT
$V_{CCA}$	Supply voltage				1.2	3.6	V
$V_{CCB}$					1.65	5.5	
$V_{IH}$	High-level input voltage	Data inputs	1.2 V to 3.6 V	1.65 V to 5.5 V	$V_{CCI} \times 0.65^{(3)}$	$V_{CCI}$	V
		OE input	1.2 V to 3.6 V	1.65 V to 5.5 V	$V_{CCA} \times 0.65$	5.5	
$V_{IL}$	Low-level input voltage	Data inputs	1.2 V to 5.5 V	1.65 V to 5.5 V	0	$V_{CCI} \times 0.35^{(3)}$	V
		OE input	1.2 V to 3.6 V	1.65 V to 5.5 V	0	$V_{CCA} \times 0.35$	
$V_O$	Voltage range applied to any output in the high-impedance or power-off state	A port	1.2 V to 3.6 V	1.65 V to 5.5 V	0	3.6	V
		B port			0	5.5	
$\Delta t/\Delta v$	Input transition rise or fall rate	A port inputs	1.2 V to 3.6 V	1.65 V to 5.5 V		40	ns/V
		B port inputs	1.2 V to 3.6 V	1.65 V to 1.95 V		40	
				4.5 V to 5.5 V		30	
$T_A$	Operating free-air temperature				-40	85	°C

(1) The A and B sides of an unused data I/O pair must be held in the same state, that is, both at  $V_{CCI}$  or both at GND.

(2)  $V_{CCA}$  must be less than or equal to  $V_{CCB}$  and must not exceed 3.6 V.

(3)  $V_{CCI}$  is the supply voltage associated with the input port.

### 6.4 Thermal Information

THERMAL METRIC <sup>(1)</sup>		TXB0102			UNIT
		DCT (VSSOP)	DCU (VSSOP)	YZP (VSSOP)	
		8 PINS	8 PINS	8 PINS	
$R_{\theta JA}$	Junction-to-ambient thermal resistance	168.7	199.1	105.8	°C/W
$R_{\theta JC(top)}$	Junction-to-case (top) thermal resistance	111.7	72.4	1.6	°C/W
$R_{\theta JB}$	Junction-to-board thermal resistance	78.1	77.8	10.8	°C/W
$\Psi_{JT}$	Junction-to-top characterization parameter	45.0	6.2	3.1	°C/W
$\Psi_{JB}$	Junction-to-board characterization parameter	77.5	77.4	10.9	°C/W

(1) For more information about traditional and new thermal metrics, see the [Semiconductor and IC Package Thermal Metrics application report](#).

**6.5 Electrical Characteristics:  $T_A = 25^\circ\text{C}$  (1) (2)**

over recommended operating free-air temperature range (unless otherwise noted)

PARAMETER		TEST CONDITIONS	$V_{CCA}$	$V_{CCB}$	MIN	TYP	MAX	UNIT
$V_{OHA}$		$I_{OH} = -20 \mu\text{A}$	1.2 V			1.1		V
			1.4 V to 3.6 V					
$V_{OLA}$		$I_{OL} = 20 \mu\text{A}$	1.2 V			0.3		V
			1.4 V to 3.6 V					
$V_{OHB}$		$I_{OH} = -20 \mu\text{A}$		1.65 V to 5.5 V				V
$V_{OLB}$		$I_{OL} = 20 \mu\text{A}$		1.65 V to 5.5 V				V
$I_I$	OE	$V_I = V_{CCI}$ or GND	1.2 V to 3.6 V	1.65 V to 5.5 V			$\pm 1$	$\mu\text{A}$
$I_{off}$	A port	$V_I$ or $V_O = 0$ to 3.6 V	0 V	0 V to 5.5 V			$\pm 1$	$\mu\text{A}$
	B port	$V_I$ or $V_O = 0$ to 5.5 V	0 V to 3.6 V	0 V			$\pm 1$	
$I_{OZ}$	A or B port	OE = GND	1.2 V to 3.6 V	1.65 V to 5.5 V			$\pm 1$	$\mu\text{A}$
$I_{CCA}$		$V_I = V_{CCI}$ or GND, $I_O = 0$	1.2 V	1.65 V to 5.5 V		0.06		$\mu\text{A}$
			1.4 V to 3.6 V	1.65 V to 5.5 V				
			3.6 V	0 V				
			0 V	5.5 V				
$I_{CCB}$		$V_I = V_{CCI}$ or GND, $I_O = 0$	1.2 V	1.65 V to 5.5 V		3.4		$\mu\text{A}$
			1.4 V to 3.6 V	1.65 V to 5.5 V				
			3.6 V	0 V				
			0 V	5.5 V				
$I_{CCA} + I_{CCB}$		$V_I = V_{CCI}$ or GND, $I_O = 0$	1.2 V	1.65 V to 5.5 V		3.5		$\mu\text{A}$
			1.4 V to 3.6 V	1.65 V to 5.5 V				
$I_{CCZA}$		$V_I = V_{CCI}$ or GND, $I_O = 0$ , OE = GND	1.2 V	1.65 V to 5.5 V		0.05		$\mu\text{A}$
			1.4 V to 3.6 V	1.65 V to 5.5 V				
$I_{CCZB}$		$V_I = V_{CCI}$ or GND, $I_O = 0$ , OE = GND	1.2 V	1.65 V to 5.5 V		3.3		$\mu\text{A}$
			1.4 V to 3.6 V	1.65 V to 5.5 V				
$C_i$	OE		1.2 V to 3.6 V	1.65 V to 5.5 V		2.5		pF
$C_{io}$	A port		1.2 V to 3.6 V	1.65 V to 5.5 V		5		pF
	B port					11		

 (1)  $V_{CCI}$  is the supply voltage associated with the input port.

 (2)  $V_{CCO}$  is the supply voltage associated with the output port.

**6.6 Electrical Characteristics:  $T_A = -40^{\circ}\text{C}$  to  $+85^{\circ}\text{C}$ <sup>(1) (2)</sup>**

over recommended operating free-air temperature range (unless otherwise noted)

PARAMETER		TEST CONDITIONS	$V_{CCA}$	$V_{CCB}$	MIN	MAX	UNIT
$V_{OHA}$		$I_{OH} = -20 \mu\text{A}$	1.2 V		$V_{CCA} - 0.4$		V
			1.4 V to 3.6 V				
$V_{OLA}$		$I_{OL} = 20 \mu\text{A}$	1.2 V			0.4	V
			1.4 V to 3.6 V				
$V_{OHB}$		$I_{OH} = -20 \mu\text{A}$		1.65 V to 5.5 V	$V_{CCB} - 0.4$		V
$V_{OLB}$		$I_{OL} = 20 \mu\text{A}$		1.65 V to 5.5 V		0.4	V
$I_I$	OE	$V_I = V_{CCI}$ or GND	1.2 V to 3.6 V	1.65 V to 5.5 V		$\pm 2$	$\mu\text{A}$
$I_{off}$	A port	$V_I$ or $V_O = 0$ to 3.6 V	0 V	0 V to 5.5 V		$\pm 2$	$\mu\text{A}$
	B port	$V_I$ or $V_O = 0$ to 5.5 V	0 V to 3.6 V	0 V		$\pm 2$	
$I_{OZ}$	A or B port	OE = GND	1.2 V to 3.6 V	1.65 V to 5.5 V		$\pm 2$	$\mu\text{A}$
$I_{CCA}$		$V_I = V_{CCI}$ or GND, $I_O = 0$	1.2 V	1.65 V to 5.5 V			$\mu\text{A}$
			1.4 V to 3.6 V	1.65 V to 5.5 V		3	
			3.6 V	0 V		2	
			0 V	5.5 V		-2	
$I_{CCB}$		$V_I = V_{CCI}$ or GND, $I_O = 0$	1.2 V	1.65 V to 5.5 V			$\mu\text{A}$
			1.4 V to 3.6 V	1.65 V to 5.5 V		5	
			3.6 V	0 V		-2	
			0 V	5.5 V		2	
$I_{CCA} + I_{CCB}$		$V_I = V_{CCI}$ or GND, $I_O = 0$	1.2 V	1.65 V to 5.5 V			$\mu\text{A}$
			1.4 V to 3.6 V	1.65 V to 5.5 V		8	
$I_{CCZA}$		$V_I = V_{CCI}$ or GND, $I_O = 0$ , OE = GND	1.2 V	1.65 V to 5.5 V			$\mu\text{A}$
			1.4 V to 3.6 V	1.65 V to 5.5 V		3	
$I_{CCZB}$		$V_I = V_{CCI}$ or GND, $I_O = 0$ , OE = GND	1.2 V	1.65 V to 5.5 V			$\mu\text{A}$
			1.4 V to 3.6 V	1.65 V to 5.5 V		5	
$C_i$	OE		1.2 V to 3.6 V	1.65 V to 5.5 V		3	pF
$C_{io}$	A port		1.2 V to 3.6 V	1.65 V to 5.5 V		6	pF
	B port				14		

 (1)  $V_{CCI}$  is the supply voltage associated with the input port.

 (2)  $V_{CCO}$  is the supply voltage associated with the output port.

## 6.7 Operating Characteristics

 $T_A = 25^\circ\text{C}$ 

PARAMETER		TEST CONDITIONS	TYP	UNIT
$C_{pdA}$	A port input, B port output	$V_{CCA} = 1.2\text{ V}, V_{CCB} = 5\text{ V}$	7.8	pF
		$V_{CCA} = 1.2\text{ V}, V_{CCB} = 1.8\text{ V}$	8	
		$V_{CCA} = 1.5\text{ V}, V_{CCB} = 1.8\text{ V}$	8	
		$V_{CCA} = 1.8\text{ V}, V_{CCB} = 1.8\text{ V}$	7	
		$V_{CCA} = 2.5\text{ V}, V_{CCB} = 2.5\text{ V}$	7	
		$V_{CCA} = 2.5\text{ V}, V_{CCB} = 5\text{ V}$	8	
		$V_{CCA} = 3.3\text{ V}, V_{CCB} = 3.3\text{ V to }5\text{ V}$	8	
	B port input, A port output	$V_{CCA} = 1.2\text{ V}, V_{CCB} = 5\text{ V}$	12	
		$V_{CCA} = 1.2\text{ V}, V_{CCB} = 1.8\text{ V}$	11	
		$V_{CCA} = 1.5\text{ V}, V_{CCB} = 1.8\text{ V}$	11	
		$V_{CCA} = 1.8\text{ V}, V_{CCB} = 1.8\text{ V}$	11	
		$V_{CCA} = 2.5\text{ V}, V_{CCB} = 2.5\text{ V}$	11	
		$V_{CCA} = 2.5\text{ V}, V_{CCB} = 5\text{ V}$	11	
		$V_{CCA} = 3.3\text{ V}, V_{CCB} = 3.3\text{ V to }5\text{ V}$	11	
$C_{pdB}$	A port input, B port output	$V_{CCA} = 1.2\text{ V}, V_{CCB} = 5\text{ V}$	38.1	
		$V_{CCA} = 1.2\text{ V}, V_{CCB} = 1.8\text{ V}$	29	
		$V_{CCA} = 1.5\text{ V}, V_{CCB} = 1.8\text{ V}$	29	
		$V_{CCA} = 1.8\text{ V}, V_{CCB} = 1.8\text{ V}$	29	
		$V_{CCA} = 2.5\text{ V}, V_{CCB} = 2.5\text{ V}$	29	
		$V_{CCA} = 2.5\text{ V}, V_{CCB} = 5\text{ V}$	30	
		$V_{CCA} = 3.3\text{ V}, V_{CCB} = 3.3\text{ V to }5\text{ V}$	30	
	B port input, A port output	$V_{CCA} = 1.2\text{ V}, V_{CCB} = 5\text{ V}$	25.4	
		$V_{CCA} = 1.2\text{ V}, V_{CCB} = 1.8\text{ V}$	19	
		$V_{CCA} = 1.5\text{ V}, V_{CCB} = 1.8\text{ V}$	18	
		$V_{CCA} = 1.8\text{ V}, V_{CCB} = 1.8\text{ V}$	18	
		$V_{CCA} = 2.5\text{ V}, V_{CCB} = 2.5\text{ V}$	18	
		$V_{CCA} = 2.5\text{ V}, V_{CCB} = 5\text{ V}$	21	
		$V_{CCA} = 3.3\text{ V}, V_{CCB} = 3.3\text{ V to }5\text{ V}$	21	

 $C_L = 0, f = 10\text{ MHz},$   
 $t_r = t_f = 1\text{ ns},$   
 $OE = V_{CCA}$   
 (outputs enabled)



**Operating Characteristics (continued)**
 $T_A = 25^\circ\text{C}$ 

PARAMETER		TEST CONDITIONS	TYP	UNIT
$C_{pdA}$	A port input, B port output	$V_{CCA} = 1.2\text{ V}, V_{CCB} = 5\text{ V}$	0.01	pF
		$V_{CCA} = 1.2\text{ V}, V_{CCB} = 1.8\text{ V}$	0.01	
		$V_{CCA} = 1.5\text{ V}, V_{CCB} = 1.8\text{ V}$	0.01	
		$V_{CCA} = 1.8\text{ V}, V_{CCB} = 1.8\text{ V}$	0.01	
		$V_{CCA} = 2.5\text{ V}, V_{CCB} = 2.5\text{ V}$	0.01	
		$V_{CCA} = 2.5\text{ V}, V_{CCB} = 5\text{ V}$	0.01	
		$V_{CCA} = 3.3\text{ V}, V_{CCB} = 3.3\text{ V to }5\text{ V}$	0.01	
	B port input, A port output	$V_{CCA} = 1.2\text{ V}, V_{CCB} = 5\text{ V}$	0.01	
		$V_{CCA} = 1.2\text{ V}, V_{CCB} = 1.8\text{ V}$	0.01	
		$V_{CCA} = 1.5\text{ V}, V_{CCB} = 1.8\text{ V}$	0.01	
		$V_{CCA} = 1.8\text{ V}, V_{CCB} = 1.8\text{ V}$	0.01	
		$V_{CCA} = 2.5\text{ V}, V_{CCB} = 2.5\text{ V}$	0.01	
		$V_{CCA} = 2.5\text{ V}, V_{CCB} = 5\text{ V}$	0.01	
		$V_{CCA} = 3.3\text{ V}, V_{CCB} = 3.3\text{ V to }5\text{ V}$	0.01	
$C_{pdB}$	A port input, B port output	$V_{CCA} = 1.2\text{ V}, V_{CCB} = 5\text{ V}$	0.01	
		$V_{CCA} = 1.2\text{ V}, V_{CCB} = 1.8\text{ V}$	0.01	
		$V_{CCA} = 1.5\text{ V}, V_{CCB} = 1.8\text{ V}$	0.01	
		$V_{CCA} = 1.8\text{ V}, V_{CCB} = 1.8\text{ V}$	0.01	
		$V_{CCA} = 2.5\text{ V}, V_{CCB} = 2.5\text{ V}$	0.01	
		$V_{CCA} = 2.5\text{ V}, V_{CCB} = 5\text{ V}$	0.01	
		$V_{CCA} = 3.3\text{ V}, V_{CCB} = 3.3\text{ V to }5\text{ V}$	0.02	
	B port input, A port output	$V_{CCA} = 1.2\text{ V}, V_{CCB} = 5\text{ V}$	0.01	
		$V_{CCA} = 1.2\text{ V}, V_{CCB} = 1.8\text{ V}$	0.01	
		$V_{CCA} = 1.5\text{ V}, V_{CCB} = 1.8\text{ V}$	0.01	
		$V_{CCA} = 1.8\text{ V}, V_{CCB} = 1.8\text{ V}$	0.01	
		$V_{CCA} = 2.5\text{ V}, V_{CCB} = 2.5\text{ V}$	0.01	
		$V_{CCA} = 2.5\text{ V}, V_{CCB} = 5\text{ V}$	0.02	
		$V_{CCA} = 3.3\text{ V}, V_{CCB} = 3.3\text{ V to }5\text{ V}$	0.03	

 $C_L = 0, f = 10\text{ MHz},$   
 $t_r = t_f = 1\text{ ns},$   
 $OE = \text{GND}$   
(outputs disabled)

### 6.8 $V_{CCA} = 1.2\text{ V}$ Timing Requirements

 $T_A = 25^\circ\text{C}$ ,  $V_{CCA} = 1.2\text{ V}$ 

		TEST CONDITIONS	NOM	UNIT	
Data rate		$V_{CCB} = 1.8\text{ V}$	20	Mbps	
		$V_{CCB} = 2.5\text{ V}$	20		
		$V_{CCB} = 3.3\text{ V}$	20		
		$V_{CCB} = 5\text{ V}$	20		
$t_w$	Pulse duration	Data inputs	$V_{CCB} = 1.8\text{ V}$	50	ns
			$V_{CCB} = 2.5\text{ V}$	50	
			$V_{CCB} = 3.3\text{ V}$	50	
			$V_{CCB} = 5\text{ V}$	50	

### 6.9 $V_{CCA} = 1.5\text{ V} \pm 0.1\text{ V}$ Timing Requirements

 over recommended operating free-air temperature range,  $V_{CCA} = 1.5\text{ V} \pm 0.1\text{ V}$  (unless otherwise noted)

		TEST CONDITIONS	MIN	MAX	UNIT
Data rate		$V_{CCB} = 1.8\text{ V} \pm 0.15\text{ V}$		40	Mbps
		$V_{CCB} = 2.5\text{ V} \pm 0.2\text{ V}$		40	
		$V_{CCB} = 3.3\text{ V} \pm 0.3\text{ V}$		40	
		$V_{CCB} = 5\text{ V} \pm 0.5\text{ V}$		40	
$t_w$	Pulse duration	Data inputs	$V_{CCB} = 1.8\text{ V} \pm 0.15\text{ V}$	25	ns
			$V_{CCB} = 2.5\text{ V} \pm 0.2\text{ V}$	25	
			$V_{CCB} = 3.3\text{ V} \pm 0.3\text{ V}$	25	
			$V_{CCB} = 5\text{ V} \pm 0.5\text{ V}$	25	

### 6.10 $V_{CCA} = 1.8\text{ V} \pm 0.15\text{ V}$ Timing Requirements

 over recommended operating free-air temperature range,  $V_{CCA} = 1.8\text{ V} \pm 0.15\text{ V}$  (unless otherwise noted)

		TEST CONDITIONS	MIN	MAX	UNIT
Data rate		$V_{CCB} = 1.8\text{ V} \pm 0.15\text{ V}$		60	Mbps
		$V_{CCB} = 2.5\text{ V} \pm 0.2\text{ V}$		60	
		$V_{CCB} = 3.3\text{ V} \pm 0.3\text{ V}$		60	
		$V_{CCB} = 5\text{ V} \pm 0.5\text{ V}$		60	
$t_w$	Pulse duration	Data inputs	$V_{CCB} = 1.8\text{ V} \pm 0.15\text{ V}$	17	ns
			$V_{CCB} = 2.5\text{ V} \pm 0.2\text{ V}$	17	
			$V_{CCB} = 3.3\text{ V} \pm 0.3\text{ V}$	17	
			$V_{CCB} = 5\text{ V} \pm 0.5\text{ V}$	17	

### 6.11 $V_{CCA} = 2.5\text{ V} \pm 0.2\text{ V}$ Timing Requirements

 over recommended operating free-air temperature range,  $V_{CCA} = 2.5\text{ V} \pm 0.2\text{ V}$  (unless otherwise noted)

		TEST CONDITIONS	MIN	MAX	UNIT
Data rate		$V_{CCB} = 2.5\text{ V} \pm 0.2\text{ V}$		100	Mbps
		$V_{CCB} = 3.3\text{ V} \pm 0.3\text{ V}$		100	
		$V_{CCB} = 5\text{ V} \pm 0.5\text{ V}$		100	
$t_w$	Pulse duration	Data inputs	$V_{CCB} = 2.5\text{ V} \pm 0.2\text{ V}$	10	ns
			$V_{CCB} = 3.3\text{ V} \pm 0.3\text{ V}$	10	
			$V_{CCB} = 5\text{ V} \pm 0.5\text{ V}$	10	

### 6.12 $V_{CCA} = 3.3\text{ V} \pm 0.3\text{ V}$ Timing Requirements

over recommended operating free-air temperature range,  $V_{CCA} = 3.3\text{ V} \pm 0.3\text{ V}$  (unless otherwise noted)

		TEST CONDITIONS	MIN	MAX	UNIT	
Data rate			$V_{CCB} = 3.3\text{ V} \pm 0.3\text{ V}$		100	Mbps
			$V_{CCB} = 5\text{ V} \pm 0.5\text{ V}$		100	
$t_w$ Pulse duration	Data inputs	$V_{CCB} = 3.3\text{ V} \pm 0.3\text{ V}$	10		ns	
		$V_{CCB} = 5\text{ V} \pm 0.5\text{ V}$	10			

### 6.13 $V_{CCA} = 1.2\text{ V}$ Switching Characteristics

 $T_A = 25^\circ\text{C}$ ,  $V_{CCA} = 1.2\text{ V}$ 

PARAMETER	FROM (INPUT)	TO (OUTPUT)	TEST CONDITIONS	TYP	UNIT
$t_{pd}$	A	B	$V_{CCB} = 1.8\text{ V}$	6.9	ns
			$V_{CCB} = 2.5\text{ V}$	5.7	
			$V_{CCB} = 3.3\text{ V}$	5.3	
			$V_{CCB} = 5\text{ V}$	5.5	
	B	A	$V_{CCB} = 1.8\text{ V}$	7.4	
			$V_{CCB} = 2.5\text{ V}$	6.4	
			$V_{CCB} = 3.3\text{ V}$	6	
			$V_{CCB} = 5\text{ V}$	5.8	
$t_{en}$	OE	A	$V_{CCB} = 1.8\text{ V}$	1	$\mu\text{s}$
			$V_{CCB} = 2.5\text{ V}$	1	
			$V_{CCB} = 3.3\text{ V}$	1	
			$V_{CCB} = 5\text{ V}$	1	
		B	$V_{CCB} = 1.8\text{ V}$	1	
			$V_{CCB} = 2.5\text{ V}$	1	
			$V_{CCB} = 3.3\text{ V}$	1	
			$V_{CCB} = 5\text{ V}$	1	
$t_{dis}$	OE	A	$V_{CCB} = 1.8\text{ V}$	18	ns
			$V_{CCB} = 2.5\text{ V}$	15	
			$V_{CCB} = 3.3\text{ V}$	14	
			$V_{CCB} = 5\text{ V}$	14	
		B	$V_{CCB} = 1.8\text{ V}$	20	
			$V_{CCB} = 2.5\text{ V}$	17	
			$V_{CCB} = 3.3\text{ V}$	16	
			$V_{CCB} = 5\text{ V}$	16	
$t_{rA}$	A port rise time		$V_{CCB} = 1.8\text{ V}$	4.2	ns
			$V_{CCB} = 2.5\text{ V}$	4.2	
			$V_{CCB} = 3.3\text{ V}$	4.2	
			$V_{CCB} = 5\text{ V}$	4.2	
$t_{fA}$	A port fall times		$V_{CCB} = 1.8\text{ V}$	4.2	ns
			$V_{CCB} = 2.5\text{ V}$	4.2	
			$V_{CCB} = 3.3\text{ V}$	4.2	
			$V_{CCB} = 5\text{ V}$	4.2	
$t_{rB}$	B port rise times		$V_{CCB} = 1.8\text{ V}$	2.1	ns
			$V_{CCB} = 2.5\text{ V}$	1.5	
			$V_{CCB} = 3.3\text{ V}$	1.2	
			$V_{CCB} = 5\text{ V}$	1.1	

**TXB0102**

SCES641D – MAY 2007 – REVISED OCTOBER 2017

[www.ti.com](http://www.ti.com)
 **$V_{CCA} = 1.2\text{ V}$  Switching Characteristics (continued)**
 $T_A = 25^\circ\text{C}$ ,  $V_{CCA} = 1.2\text{ V}$ 

PARAMETER	FROM (INPUT)	TO (OUTPUT)	TEST CONDITIONS	TYP	UNIT
$t_{fB}$	B port fall times		$V_{CCB} = 1.8\text{ V}$	2.1	ns
			$V_{CCB} = 2.5\text{ V}$	1.5	
			$V_{CCB} = 3.3\text{ V}$	1.2	
			$V_{CCB} = 5\text{ V}$	1.1	
$t_{sk(o)}$	Channel-to-channel		$V_{CCB} = 1.8\text{ V}$	0.5	ns
			$V_{CCB} = 2.5\text{ V}$	0.5	
			$V_{CCB} = 3.3\text{ V}$	0.5	
			$V_{CCB} = 5\text{ V}$	1.4	
Max data rate			$V_{CCB} = 1.8\text{ V}$	20	Mbps
			$V_{CCB} = 2.5\text{ V}$	20	
			$V_{CCB} = 3.3\text{ V}$	20	
			$V_{CCB} = 5\text{ V}$	20	

**6.14  $V_{CCA} = 1.5\text{ V} \pm 0.1\text{ V}$  Switching Characteristics**

 over recommended operating free-air temperature range,  $V_{CCA} = 1.5\text{ V} \pm 0.1\text{ V}$  (unless otherwise noted)

PARAMETER	FROM (INPUT)	TO (OUTPUT)	TEST CONDITIONS	MIN	MAX	UNIT
$t_{pd}$	A	B	$V_{CCB} = 1.8\text{ V} \pm 0.15\text{ V}$	1.4	12.9	ns
			$V_{CCB} = 2.5\text{ V} \pm 0.2\text{ V}$	1.2	10.1	
			$V_{CCB} = 3.3\text{ V} \pm 0.3\text{ V}$	1.1	10	
			$V_{CCB} = 5\text{ V} \pm 0.5\text{ V}$	0.8	9.9	
	B	A	$V_{CCB} = 1.8\text{ V} \pm 0.15\text{ V}$	0.9	14.2	
			$V_{CCB} = 2.5\text{ V} \pm 0.2\text{ V}$	0.7	12	
			$V_{CCB} = 3.3\text{ V} \pm 0.3\text{ V}$	0.4	11.7	
			$V_{CCB} = 5\text{ V} \pm 0.5\text{ V}$	0.3	13.7	
$t_{en}$	OE	A	$V_{CCB} = 1.8\text{ V} \pm 0.15\text{ V}$		1	$\mu\text{s}$
			$V_{CCB} = 2.5\text{ V} \pm 0.2\text{ V}$		1	
			$V_{CCB} = 3.3\text{ V} \pm 0.3\text{ V}$		1	
			$V_{CCB} = 5\text{ V} \pm 0.5\text{ V}$		1	
		B	$V_{CCB} = 1.8\text{ V} \pm 0.15\text{ V}$		1	
			$V_{CCB} = 2.5\text{ V} \pm 0.2\text{ V}$		1	
			$V_{CCB} = 3.3\text{ V} \pm 0.3\text{ V}$		1	
			$V_{CCB} = 5\text{ V} \pm 0.5\text{ V}$		1	
$t_{dis}$	OE	A	$V_{CCB} = 1.8\text{ V} \pm 0.15\text{ V}$	5.9	31	ns
			$V_{CCB} = 2.5\text{ V} \pm 0.2\text{ V}$	5.7	25.9	
			$V_{CCB} = 3.3\text{ V} \pm 0.3\text{ V}$	5.6	23	
			$V_{CCB} = 5\text{ V} \pm 0.5\text{ V}$	5.7	22.4	
		B	$V_{CCB} = 1.8\text{ V} \pm 0.15\text{ V}$	5.4	30.3	
			$V_{CCB} = 2.5\text{ V} \pm 0.2\text{ V}$	4.9	22.8	
			$V_{CCB} = 3.3\text{ V} \pm 0.3\text{ V}$	4.8	20	
			$V_{CCB} = 5\text{ V} \pm 0.5\text{ V}$	4.9	19.5	
$t_{rA}$	A port rise times		$V_{CCB} = 1.8\text{ V} \pm 0.15\text{ V}$	1.4	5.1	ns
			$V_{CCB} = 2.5\text{ V} \pm 0.2\text{ V}$	1.4	5.1	
			$V_{CCB} = 3.3\text{ V} \pm 0.3\text{ V}$	1.4	5.1	
			$V_{CCB} = 5\text{ V} \pm 0.5\text{ V}$	1.4	5.1	
$t_{fA}$	A port fall times		$V_{CCB} = 1.8\text{ V} \pm 0.15\text{ V}$	1.4	5.1	ns
			$V_{CCB} = 2.5\text{ V} \pm 0.2\text{ V}$	1.4	5.1	
			$V_{CCB} = 3.3\text{ V} \pm 0.3\text{ V}$	1.4	5.1	
			$V_{CCB} = 5\text{ V} \pm 0.5\text{ V}$	1.4	5.1	
$t_{rB}$	B port rise times		$V_{CCB} = 1.8\text{ V} \pm 0.15\text{ V}$	0.9	4.5	ns
			$V_{CCB} = 2.5\text{ V} \pm 0.2\text{ V}$	0.6	3.2	
			$V_{CCB} = 3.3\text{ V} \pm 0.3\text{ V}$	0.5	2.8	
			$V_{CCB} = 5\text{ V} \pm 0.5\text{ V}$	0.4	2.7	
$t_{fB}$	B port fall times		$V_{CCB} = 1.8\text{ V} \pm 0.15\text{ V}$	0.9	4.5	ns
			$V_{CCB} = 2.5\text{ V} \pm 0.2\text{ V}$	0.6	3.2	
			$V_{CCB} = 3.3\text{ V} \pm 0.3\text{ V}$	0.5	2.8	
			$V_{CCB} = 5\text{ V} \pm 0.5\text{ V}$	0.4	2.7	
$t_{sk(o)}$	Channel-to-channel		$V_{CCB} = 1.8\text{ V} \pm 0.15\text{ V}$		0.5	ns
			$V_{CCB} = 2.5\text{ V} \pm 0.2\text{ V}$		0.5	
			$V_{CCB} = 3.3\text{ V} \pm 0.3\text{ V}$		0.5	
			$V_{CCB} = 5\text{ V} \pm 0.5\text{ V}$		0.5	

**$V_{CCA} = 1.5\text{ V} \pm 0.1\text{ V}$  Switching Characteristics (continued)**

 over recommended operating free-air temperature range,  $V_{CCA} = 1.5\text{ V} \pm 0.1\text{ V}$  (unless otherwise noted)

PARAMETER	FROM (INPUT)	TO (OUTPUT)	TEST CONDITIONS	MIN	MAX	UNIT
Max data rate			$V_{CCB} = 1.8\text{ V} \pm 0.15\text{ V}$	40		Mbps
			$V_{CCB} = 2.5\text{ V} \pm 0.2\text{ V}$	40		
			$V_{CCB} = 3.3\text{ V} \pm 0.3\text{ V}$	40		
			$V_{CCB} = 5\text{ V} \pm 0.5\text{ V}$	40		

### 6.15 $V_{CCA} = 1.8\text{ V} \pm 0.15\text{ V}$ Switching Characteristics

 over recommended operating free-air temperature range,  $V_{CCA} = 1.8\text{ V} \pm 0.15\text{ V}$  (unless otherwise noted)

PARAMETER	FROM (INPUT)	TO (OUTPUT)	TEST CONDITIONS	MIN	MAX	UNIT
$t_{pd}$	A	B	$V_{CCB} = 1.8\text{ V} \pm 0.15\text{ V}$	1.6	11	ns
			$V_{CCB} = 2.5\text{ V} \pm 0.2\text{ V}$	1.4	7.7	
			$V_{CCB} = 3.3\text{ V} \pm 0.3\text{ V}$	1.3	6.8	
			$V_{CCB} = 5\text{ V} \pm 0.5\text{ V}$	1.2	6.5	
	B	A	$V_{CCB} = 1.8\text{ V} \pm 0.15\text{ V}$	1.5	12	
			$V_{CCB} = 2.5\text{ V} \pm 0.2\text{ V}$	1.3	8.4	
			$V_{CCB} = 3.3\text{ V} \pm 0.3\text{ V}$	1	7.6	
			$V_{CCB} = 5\text{ V} \pm 0.5\text{ V}$	0.9	7.1	
$t_{en}$	OE	A	$V_{CCB} = 1.8\text{ V} \pm 0.15\text{ V}$		1	$\mu\text{s}$
			$V_{CCB} = 2.5\text{ V} \pm 0.2\text{ V}$		1	
			$V_{CCB} = 3.3\text{ V} \pm 0.3\text{ V}$		1	
			$V_{CCB} = 5\text{ V} \pm 0.5\text{ V}$		1	
		B	$V_{CCB} = 1.8\text{ V} \pm 0.15\text{ V}$		1	
			$V_{CCB} = 2.5\text{ V} \pm 0.2\text{ V}$		1	
			$V_{CCB} = 3.3\text{ V} \pm 0.3\text{ V}$		1	
			$V_{CCB} = 5\text{ V} \pm 0.5\text{ V}$		1	
$t_{dis}$	OE	A	$V_{CCB} = 1.8\text{ V} \pm 0.15\text{ V}$	5.9	31	ns
			$V_{CCB} = 2.5\text{ V} \pm 0.2\text{ V}$	5.1	21.3	
			$V_{CCB} = 3.3\text{ V} \pm 0.3\text{ V}$	5	19.3	
			$V_{CCB} = 5\text{ V} \pm 0.5\text{ V}$	5	17.4	
		B	$V_{CCB} = 1.8\text{ V} \pm 0.15\text{ V}$	5.4	30.3	
			$V_{CCB} = 2.5\text{ V} \pm 0.2\text{ V}$	4.4	20.8	
			$V_{CCB} = 3.3\text{ V} \pm 0.3\text{ V}$	4.2	17.9	
			$V_{CCB} = 5\text{ V} \pm 0.5\text{ V}$	4.3	16.3	
$t_{rA}$	A port rise times		$V_{CCB} = 1.8\text{ V} \pm 0.15\text{ V}$	1	4.2	ns
			$V_{CCB} = 2.5\text{ V} \pm 0.2\text{ V}$	1.1	4.1	
			$V_{CCB} = 3.3\text{ V} \pm 0.3\text{ V}$	1.1	4.1	
			$V_{CCB} = 5\text{ V} \pm 0.5\text{ V}$	1.1	4.1	
$t_{fA}$	A port fall times		$V_{CCB} = 1.8\text{ V} \pm 0.15\text{ V}$	1	4.2	ns
			$V_{CCB} = 2.5\text{ V} \pm 0.2\text{ V}$	1.1	4.1	
			$V_{CCB} = 3.3\text{ V} \pm 0.3\text{ V}$	1.1	4.1	
			$V_{CCB} = 5\text{ V} \pm 0.5\text{ V}$	1.1	4.1	
$t_{rB}$	B port rise times		$V_{CCB} = 1.8\text{ V} \pm 0.15\text{ V}$	0.9	4.5	ns
			$V_{CCB} = 2.5\text{ V} \pm 0.2\text{ V}$	0.6	3.2	
			$V_{CCB} = 3.3\text{ V} \pm 0.3\text{ V}$	0.5	2.8	
			$V_{CCB} = 5\text{ V} \pm 0.5\text{ V}$	0.4	2.7	
$t_{fB}$	B port fall times		$V_{CCB} = 1.8\text{ V} \pm 0.15\text{ V}$	0.9	4.5	ns
			$V_{CCB} = 2.5\text{ V} \pm 0.2\text{ V}$	0.6	3.2	
			$V_{CCB} = 3.3\text{ V} \pm 0.3\text{ V}$	0.5	2.8	
			$V_{CCB} = 5\text{ V} \pm 0.5\text{ V}$	0.4	2.7	
$t_{sk(o)}$	Channel-to-channel		$V_{CCB} = 1.8\text{ V} \pm 0.15\text{ V}$		0.5	ns
			$V_{CCB} = 2.5\text{ V} \pm 0.2\text{ V}$		0.5	
			$V_{CCB} = 3.3\text{ V} \pm 0.3\text{ V}$		0.5	
			$V_{CCB} = 5\text{ V} \pm 0.5\text{ V}$		0.5	

**$V_{CCA} = 1.8\text{ V} \pm 0.15\text{ V}$  Switching Characteristics (continued)**

 over recommended operating free-air temperature range,  $V_{CCA} = 1.8\text{ V} \pm 0.15\text{ V}$  (unless otherwise noted)

PARAMETER	FROM (INPUT)	TO (OUTPUT)	TEST CONDITIONS	MIN	MAX	UNIT
Max data rate			$V_{CCB} = 1.8\text{ V} \pm 0.15\text{ V}$	60		Mbps
			$V_{CCB} = 2.5\text{ V} \pm 0.2\text{ V}$	60		
			$V_{CCB} = 3.3\text{ V} \pm 0.3\text{ V}$	60		
			$V_{CCB} = 5\text{ V} \pm 0.5\text{ V}$	60		



### 6.16 $V_{CCA} = 2.5\text{ V} \pm 0.2\text{ V}$ Switching Characteristics

 over recommended operating free-air temperature range,  $V_{CCA} = 2.5\text{ V} \pm 0.2\text{ V}$  (unless otherwise noted)

PARAMETER	FROM (INPUT)	TO (OUTPUT)	TEST CONDITIONS	MIN	MAX	UNIT
$t_{pd}$	A	B	$V_{CCB} = 2.5\text{ V} \pm 0.2\text{ V}$	1.1	6.3	ns
			$V_{CCB} = 3.3\text{ V} \pm 0.3\text{ V}$	1	5.2	
			$V_{CCB} = 5\text{ V} \pm 0.5\text{ V}$	0.9	4.7	
	B	A	$V_{CCB} = 2.5\text{ V} \pm 0.2\text{ V}$	1.2	6.6	
			$V_{CCB} = 3.3\text{ V} \pm 0.3\text{ V}$	1.1	5.1	
			$V_{CCB} = 5\text{ V} \pm 0.5\text{ V}$	0.9	4.4	
$t_{en}$	OE	A	$V_{CCB} = 2.5\text{ V} \pm 0.2\text{ V}$		1	$\mu\text{s}$
			$V_{CCB} = 3.3\text{ V} \pm 0.3\text{ V}$		1	
			$V_{CCB} = 5\text{ V} \pm 0.5\text{ V}$		1	
		B	$V_{CCB} = 2.5\text{ V} \pm 0.2\text{ V}$		1	
			$V_{CCB} = 3.3\text{ V} \pm 0.3\text{ V}$		1	
			$V_{CCB} = 5\text{ V} \pm 0.5\text{ V}$		1	
$t_{dis}$	OE	A	$V_{CCB} = 2.5\text{ V} \pm 0.2\text{ V}$	5.1	21.3	ns
			$V_{CCB} = 3.3\text{ V} \pm 0.3\text{ V}$	4.6	15.2	
			$V_{CCB} = 5\text{ V} \pm 0.5\text{ V}$	4.6	13.2	
		B	$V_{CCB} = 2.5\text{ V} \pm 0.2\text{ V}$	4.4	20.8	
			$V_{CCB} = 3.3\text{ V} \pm 0.3\text{ V}$	3.8	16	
			$V_{CCB} = 5\text{ V} \pm 0.5\text{ V}$	3.9	13.9	
$t_{rA}$	A port rise times		$V_{CCB} = 2.5\text{ V} \pm 0.2\text{ V}$	0.8	3	ns
			$V_{CCB} = 3.3\text{ V} \pm 0.3\text{ V}$	0.8	3	
			$V_{CCB} = 5\text{ V} \pm 0.5\text{ V}$	0.8	3	
$t_{fA}$	A port fall times		$V_{CCB} = 2.5\text{ V} \pm 0.2\text{ V}$	0.8	3	ns
			$V_{CCB} = 3.3\text{ V} \pm 0.3\text{ V}$	0.8	3	
			$V_{CCB} = 5\text{ V} \pm 0.5\text{ V}$	0.8	3	
$t_{rB}$	B port rise times		$V_{CCB} = 2.5\text{ V} \pm 0.2\text{ V}$	0.7	3	ns
			$V_{CCB} = 3.3\text{ V} \pm 0.3\text{ V}$	0.5	2.8	
			$V_{CCB} = 5\text{ V} \pm 0.5\text{ V}$	0.4	2.7	
$t_{fB}$	B port fall times		$V_{CCB} = 2.5\text{ V} \pm 0.2\text{ V}$	0.7	3	ns
			$V_{CCB} = 3.3\text{ V} \pm 0.3\text{ V}$	0.5	2.8	
			$V_{CCB} = 5\text{ V} \pm 0.5\text{ V}$	0.4	2.7	
$t_{sk(o)}$	Channel-to-channel		$V_{CCB} = 2.5\text{ V} \pm 0.2\text{ V}$		0.5	ns
			$V_{CCB} = 3.3\text{ V} \pm 0.3\text{ V}$		0.5	
			$V_{CCB} = 5\text{ V} \pm 0.5\text{ V}$		0.5	
Max data rate			$V_{CCB} = 2.5\text{ V} \pm 0.2\text{ V}$	100		Mbps
			$V_{CCB} = 3.3\text{ V} \pm 0.3\text{ V}$	100		
			$V_{CCB} = 5\text{ V} \pm 0.5\text{ V}$	100		

**6.17  $V_{CCA} = 3.3\text{ V} \pm 0.3\text{ V}$  Switching Characteristics**

 over recommended operating free-air temperature range,  $V_{CCA} = 3.3\text{ V} \pm 0.3\text{ V}$  (unless otherwise noted)

PARAMETER	FROM (INPUT)	TO (OUTPUT)	TEST CONDITIONS	MIN	MAX	UNIT
$t_{pd}$	A	B	$V_{CCB} = 3.3\text{ V} \pm 0.3\text{ V}$	0.9	4.7	ns
			$V_{CCB} = 5\text{ V} \pm 0.5\text{ V}$	0.8	4	
	B	A	$V_{CCB} = 3.3\text{ V} \pm 0.3\text{ V}$	1	4.9	
			$V_{CCB} = 5\text{ V} \pm 0.5\text{ V}$	0.9	4.5	
$t_{en}$	OE	A	$V_{CCB} = 3.3\text{ V} \pm 0.3\text{ V}$		1	$\mu\text{s}$
			$V_{CCB} = 5\text{ V} \pm 0.5\text{ V}$		1	
		B	$V_{CCB} = 3.3\text{ V} \pm 0.3\text{ V}$		1	
			$V_{CCB} = 5\text{ V} \pm 0.5\text{ V}$		1	
$t_{dis}$	OE	A	$V_{CCB} = 3.3\text{ V} \pm 0.3\text{ V}$	4.6	15.2	ns
			$V_{CCB} = 5\text{ V} \pm 0.5\text{ V}$	4.3	12.1	
		B	$V_{CCB} = 3.3\text{ V} \pm 0.3\text{ V}$	3.8	16	
			$V_{CCB} = 5\text{ V} \pm 0.5\text{ V}$	3.4	13.2	
$t_{rA}$	A port rise times		$V_{CCB} = 3.3\text{ V} \pm 0.3\text{ V}$	0.7	2.5	ns
			$V_{CCB} = 5\text{ V} \pm 0.5\text{ V}$	0.7	2.5	
$t_{fA}$	A port fall times		$V_{CCB} = 3.3\text{ V} \pm 0.3\text{ V}$	0.7	2.5	ns
			$V_{CCB} = 5\text{ V} \pm 0.5\text{ V}$			
$t_{rB}$	B port rise times		$V_{CCB} = 3.3\text{ V} \pm 0.3\text{ V}$	0.5	2.3	ns
			$V_{CCB} = 5\text{ V} \pm 0.5\text{ V}$	0.4	2.7	
$t_{fB}$	B port fall times		$V_{CCB} = 3.3\text{ V} \pm 0.3\text{ V}$	0.5	2.3	ns
			$V_{CCB} = 5\text{ V} \pm 0.5\text{ V}$	0.4	2.7	
$t_{sk(o)}$	Channel-to-channel		$V_{CCB} = 3.3\text{ V} \pm 0.3\text{ V}$		0.5	ns
			$V_{CCB} = 5\text{ V} \pm 0.5\text{ V}$		0.5	
Max data rate			$V_{CCB} = 3.3\text{ V} \pm 0.3\text{ V}$	100		Mbps
			$V_{CCB} = 5\text{ V} \pm 0.5\text{ V}$	100		

### 6.18 Typical Characteristics

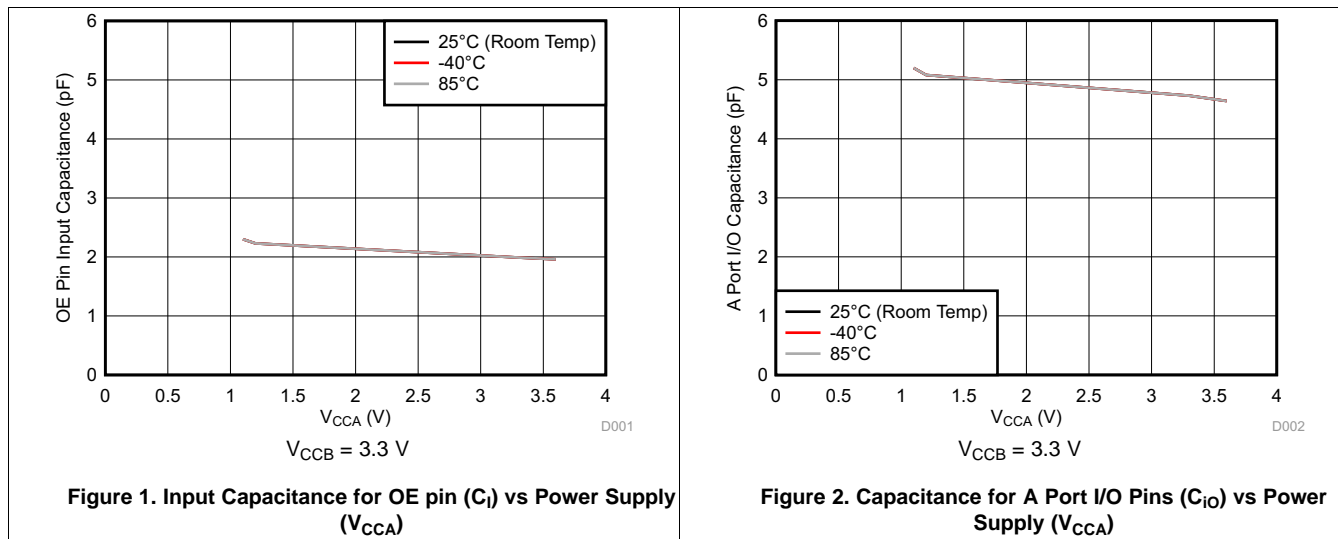


Figure 1. Input Capacitance for OE pin (C<sub>i</sub>) vs Power Supply (V<sub>CCA</sub>)

Figure 2. Capacitance for A Port I/O Pins (C<sub>iO</sub>) vs Power Supply (V<sub>CCA</sub>)

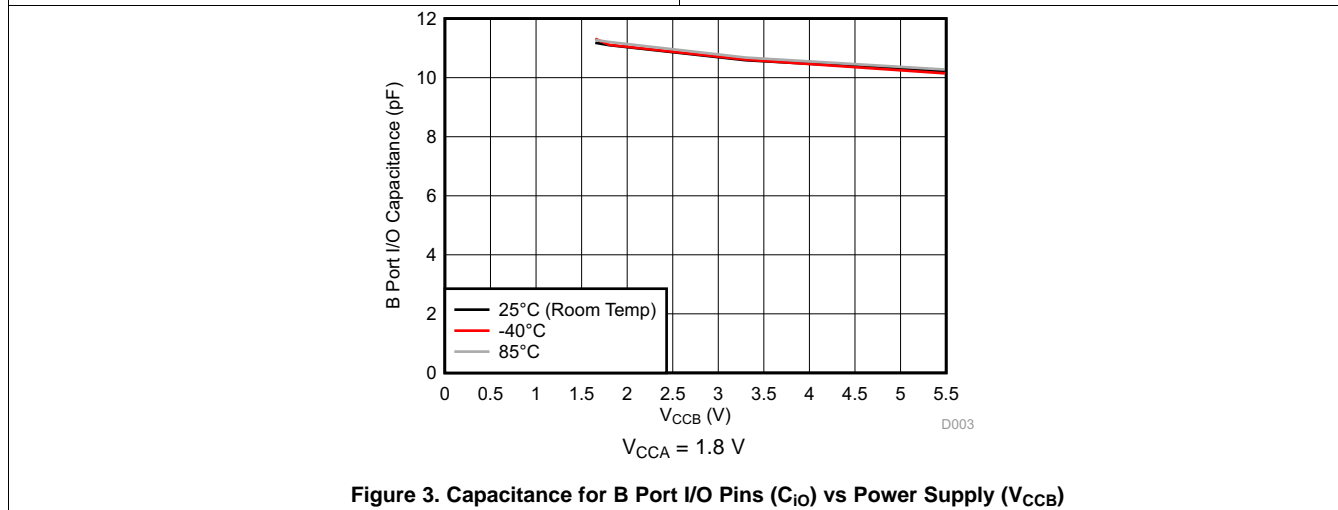
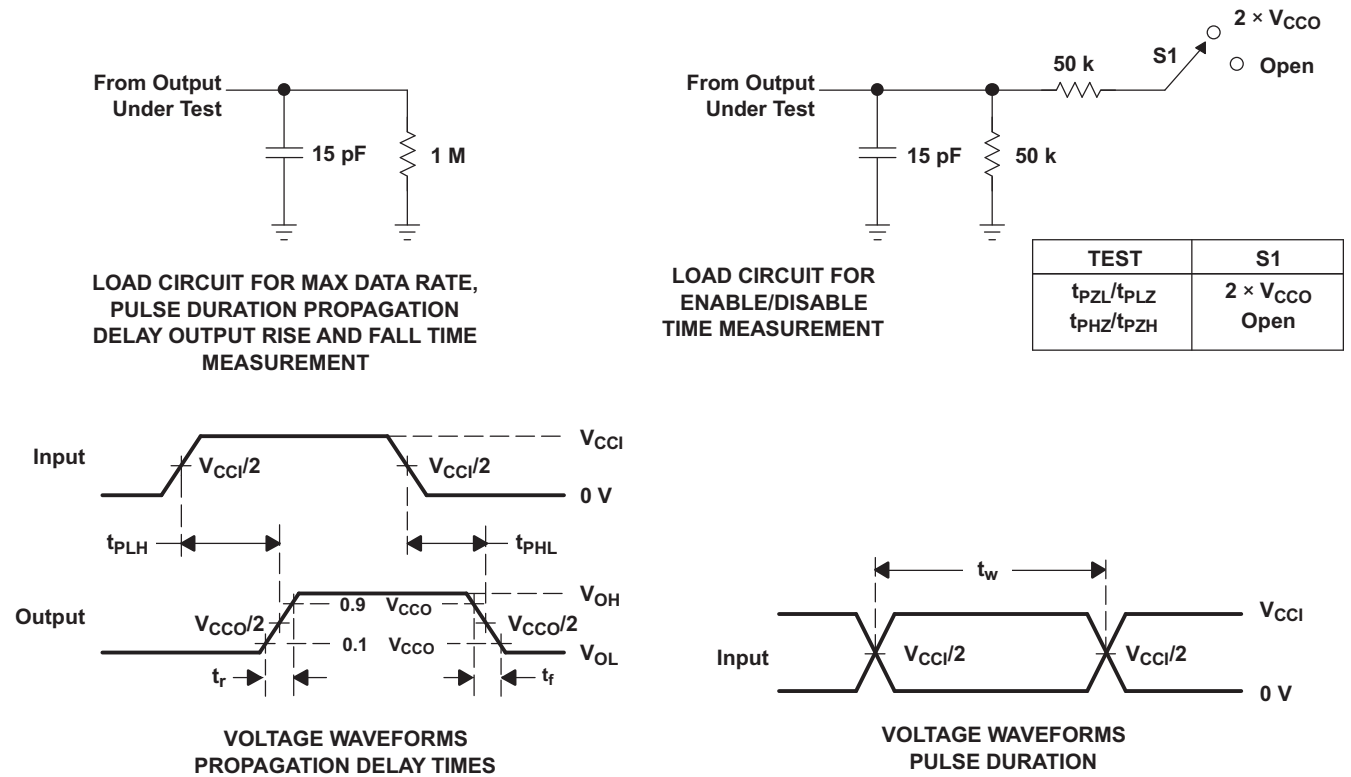


Figure 3. Capacitance for B Port I/O Pins (C<sub>iO</sub>) vs Power Supply (V<sub>CCB</sub>)

## 7 Parameter Measurement Information



- A.  $C_L$  includes probe and jig capacitance.
- B. All input pulses are supplied by generators having the following characteristics: PRR = 10 MHz,  $Z_O = 50 \Omega$ ,  $dv/dt \geq 1 \text{ V/ns}$ .
- C. The outputs are measured one at a time, with one transition per measurement.
- D.  $t_{PLH}$  and  $t_{PHL}$  are the same as  $t_{pd}$ .
- E.  $V_{CCI}$  is the  $V_{CC}$  associated with the input port.
- F.  $V_{CCO}$  is the  $V_{CC}$  associated with the output port.
- G. All parameters and waveforms are not applicable to all devices.

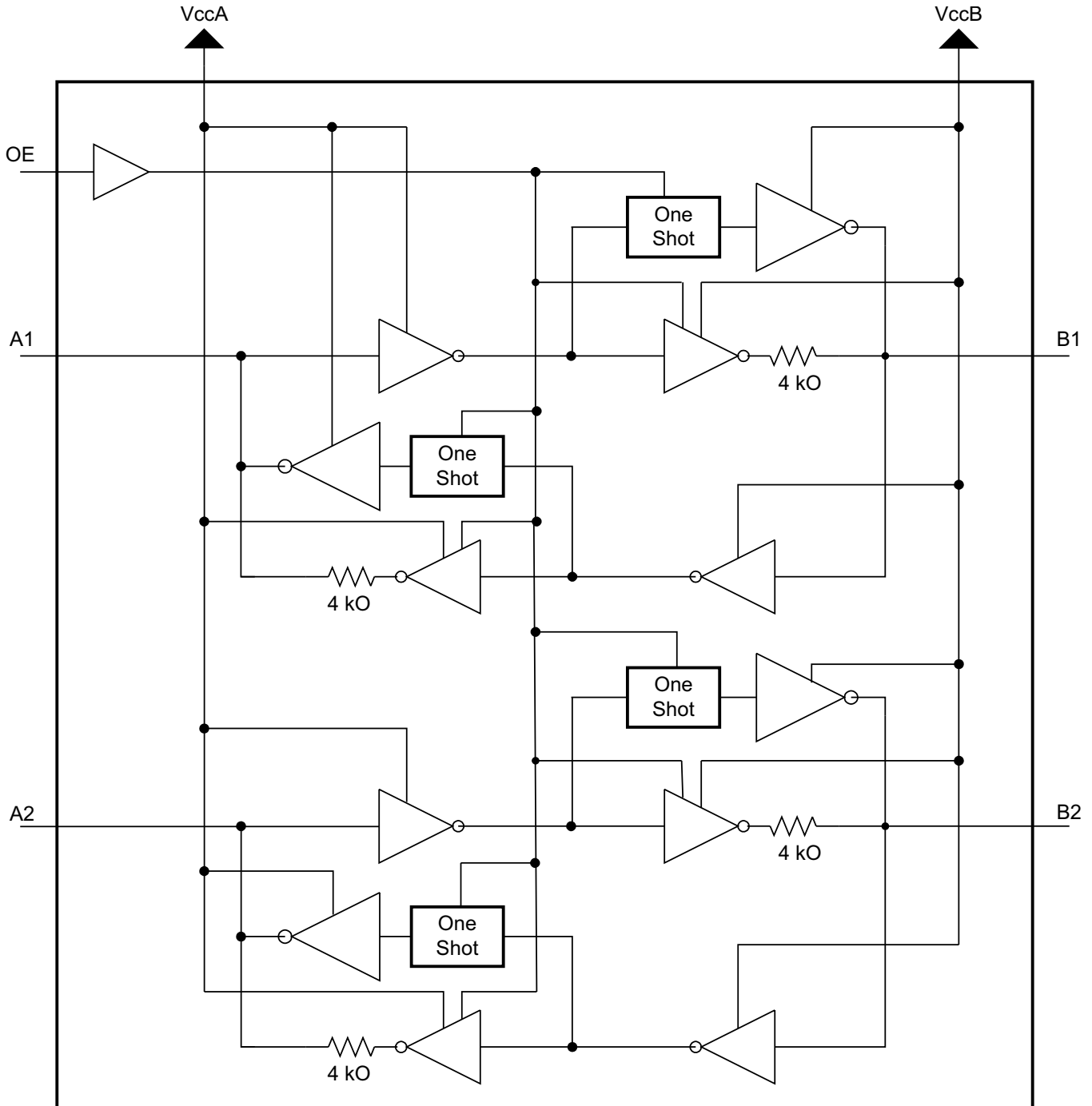
**Figure 4. Load Circuits And Voltage Waveforms**

## 8 Detailed Description

### 8.1 Overview

The TXB0102 device is a 4-bit directionless voltage-level translator specifically designed for translating logic voltage levels. The A port is able to accept I/O voltages ranging from 1.2 V to 3.6 V, while the B port can accept I/O voltages from 1.65 V to 5.5 V. The device is a buffered architecture with edge rate accelerators (one shots) to improve the overall data rate. This device can only translate push-pull CMOS logic outputs. For open drain signal translation, see TI TXS010X products.

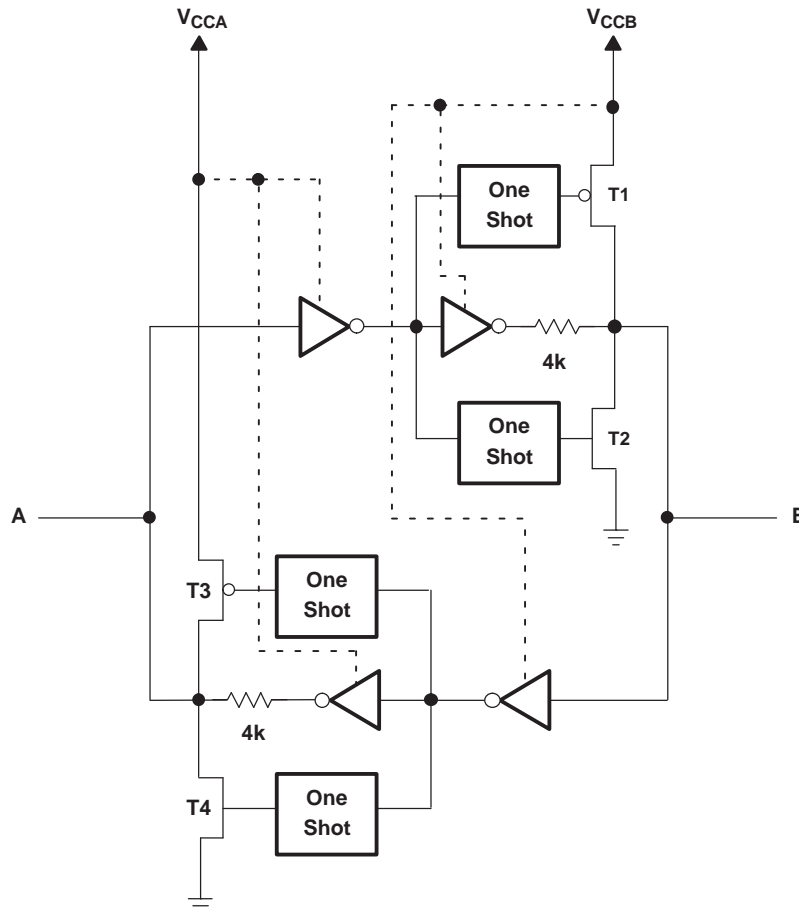
### 8.2 Functional Block Diagram



## 8.3 Feature Description

### 8.3.1 Architecture

The TXB0102 architecture (see [Figure 5](#)) does not require a direction-control signal to control the direction of data flow from A to B or from B to A. In a DC state, the output drivers of the TXB0102 can maintain a high or low, but are designed to be weak, so that the drivers can be overdriven by an external driver when data on the bus starts flowing the opposite direction. The output one shots detect rising or falling edges on the A or B ports. During a rising edge, the one shot turns on the PMOS transistors (T1, T3) for a short duration, which speeds up the low-to-high transition. Similarly, during a falling edge, the one shot turns on the NMOS transistors (T2, T4) for a short duration, which speeds up the high-to-low transition. The typical output impedance during output transition is 70  $\Omega$  at  $V_{CCO} = 1.2\text{ V}$  to 1.8 V, 50  $\Omega$  at  $V_{CCO} = 1.8\text{ V}$  to 3.3 V and 40  $\Omega$  at  $V_{CCO} = 3.3\text{ V}$  to 5 V.



**Figure 5. Architecture of TXB0102 I/O Cell**

### 8.3.2 Input Driver Requirements

[Figure 6](#) shows the typical  $I_{IN}$  versus  $V_{IN}$  characteristics of the TXB0102. For proper operation, the device driving the data I/Os of the TXB0102 must have drive strength of at least  $\pm 2\text{ mA}$ .

## Feature Description (continued)

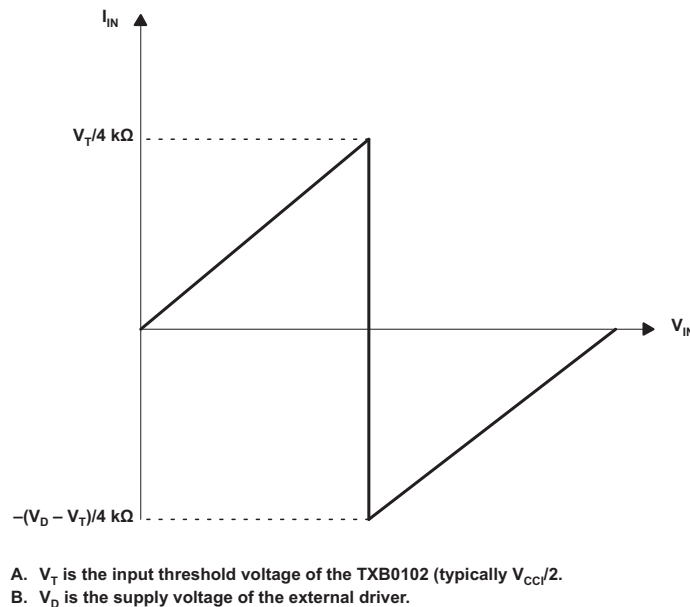


Figure 6. Typical  $I_{IN}$  vs  $V_{IN}$  Curve

### 8.3.3 Output Load Considerations

TI recommends careful printed-circuit board (PCB) layout practices with short PCB trace lengths to avoid excessive capacitive loading and to assure that proper O.S. triggering takes place. PCB signal trace-lengths must be kept short enough such that the round trip delay of any reflection is less than the one-shot duration. This improves signal integrity by assuring that any reflection sees a low impedance at the driver. The O.S. circuits have been designed to stay on for approximately 10 ns. The maximum capacitance of the lumped load that is driven also depends directly on the one-shot duration. With heavy capacitive loads, the one-shot can time-out before the signal is driven fully to the positive rail. The O.S. duration has been set to best optimize trade-offs between dynamic ICC, load driving capability, and maximum bit-rate considerations. Both PCB trace length and connectors add to the capacitance that the TXB0102 output sees, so TI recommends that this lumped-load capacitance be considered to avoid O.S. retriggering, bus contention, output signal oscillations, or other adverse system-level affects.

### 8.3.4 Enable and Disable

The TXB0102 has an output-enable (OE) input that is used to disable the device by setting OE = low, which places all I/Os in the high-impedance (Hi-Z) state. The disable time ( $t_{dis}$ ) indicates the delay between when OE goes low and when the outputs actually get disabled (Hi-Z). The enable time ( $t_{en}$ ) indicates the amount of time the user must allow for the one-shot circuitry to become operational after OE is taken high.

### 8.3.5 Pullup or Pulldown Resistors on I/O Lines

The TXB0102 is designed to drive capacitive loads of up to 70 pF. The output drivers of the TXB0102 have low DC drive strength. If pullup or pulldown resistors are connected externally to the data I/Os, their values must be kept higher than 50 kΩ to assure that they do not contend with the output drivers of the TXB0102.

For the same reason, the TXB0102 device must not be used in applications such as I2C or 1-Wire where an open-drain driver is connected on the bidirectional data I/O. For these applications, use a device from the TI TXS01xx series of level translators.

## 8.4 Device Functional Modes

The TXB0102 device has two functional modes, enabled and disabled. To disable the device set the OE input low, which places all I/Os in a high impedance state. Setting the OE input high enables the device.

## 9 Application and Implementation

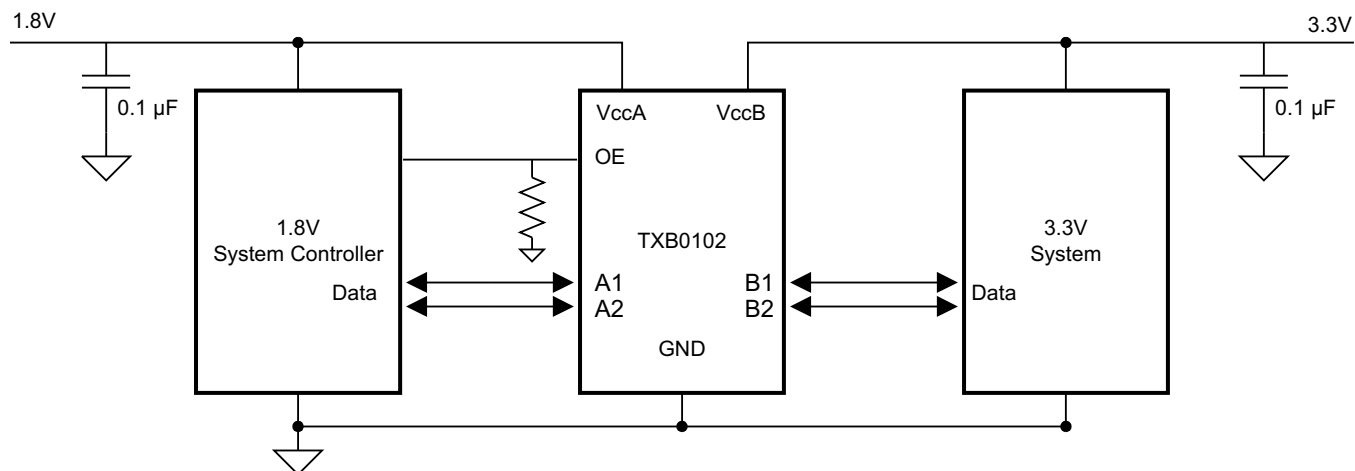
### NOTE

Information in the following applications sections is not part of the TI component specification, and TI does not warrant its accuracy or completeness. TI's customers are responsible for determining suitability of components for their purposes. Customers should validate and test their design implementation to confirm system functionality.

### 9.1 Application Information

The TXB0102 is used in level-translation applications for interfacing devices or systems operating at different interface voltages with one another. It can only translate push-pull CMOS logic outputs. If for open drain signal translation, please refer to TI TXS010X products. Any external pulldown or pullup resistors are recommended larger than 50 k $\Omega$ .

### 9.2 Typical Application



**Figure 7. Typical Operating Circuit**

#### 9.2.1 Design Requirements

For this design example, use the parameters listed in [Table 1](#) and make sure that  $V_{CCA} \leq V_{CCB}$ .

**Table 1. Design Parameters**

DESIGN PARAMETER	EXAMPLE VALUE
Input voltage range	1.2 V to 3.6 V
Output voltage range	1.65 V to 5.5 V

#### 9.2.2 Detailed Design Procedure

To begin the design process, determine the following:

- Input voltage range
  - Use the supply voltage of the device that is driving the TXB0102 device to determine the input voltage range. For a valid logic high the value must exceed the  $V_{IH}$  of the input port. For a valid logic low the value must be less than the  $V_{IL}$  of the input port.
- Output voltage range
  - Use the supply voltage of the device that the TXB0102 device is driving to determine the output voltage range.
  - TI does not recommend to have the external pullup or pulldown resistors. If mandatory, TI recommends that the value should be larger than 50 k $\Omega$ .



- An external pulldown or pullup resistor decreases the output  $V_{OH}$  and  $V_{OL}$ . Use [Equation 1](#) and [Equation 2](#) to draft estimate the  $V_{OH}$  and  $V_{OL}$  as a result of an external pulldown and pullup resistor.

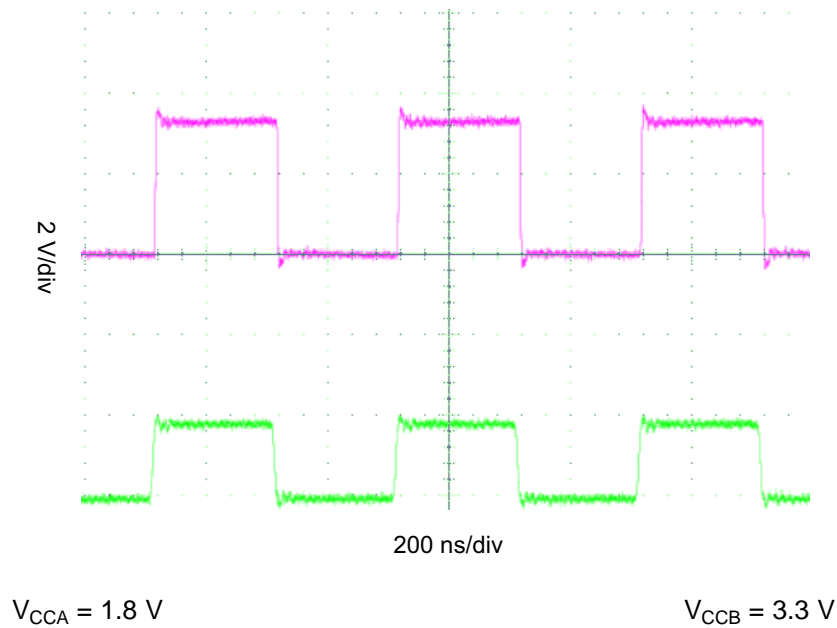
$$V_{OH} = V_{CCx} \times R_{PD} / (R_{PD} + 4.5 \text{ k}\Omega) \tag{1}$$

$$V_{OL} = V_{CCx} \times 4.5 \text{ k}\Omega / (R_{PU} + 4.5 \text{ k}\Omega)$$

where

- $V_{CCx}$  is the output port supply voltage on either  $V_{CCA}$  or  $V_{CCB}$
- $R_{PD}$  is the value of the external pulldown resistor
- $R_{PU}$  is the value of the external pullup resistor
- 4.5 k $\Omega$  is the counting the variation of the serial resistor 4 k $\Omega$  in the I/O line. (2)

### 9.2.3 Application Curve



**Figure 8. Level-Translation of a 2.5-MHz Signal**

## 10 Power Supply Recommendations

During operation, assure that  $V_{CCA} \leq V_{CCB}$  at all times. During power-up sequencing,  $V_{CCA} \geq V_{CCB}$  does not damage the device, so any power supply can be ramped up first. The TXB0102 device has circuitry that disables all output ports when either  $V_{CC}$  is switched off ( $V_{CCA/B} = 0\text{ V}$ ). The (OE) input circuit is designed so that it is supplied by  $V_{CCA}$  and when the (OE) input is low, all outputs are placed in the high-impedance state. To assure the high-impedance state of the outputs during power up or power down, the OE input pin must be tied to GND through a pulldown resistor and must not be enabled until  $V_{CCA}$  and  $V_{CCB}$  are fully ramped and stable. The minimum value of the pulldown resistor to ground is determined by the current-sourcing capability of the driver.

## 11 Layout

### 11.1 Layout Guidelines

Follow common PCB layout guidelines to assure reliability of the device.

Bypass capacitors must be used on power supplies and placed as close as possible to the  $V_{CCA}$ ,  $V_{CCB}$  pin, and GND pin.

Short trace lengths must be used to avoid excessive loading.

PCB signal trace-lengths must be kept short enough so that the round-trip delay of any reflection is less than the oneshot duration, approximately 10 ns, assuring that any reflection encounters low impedance at the source driver.

### 11.2 Layout Example

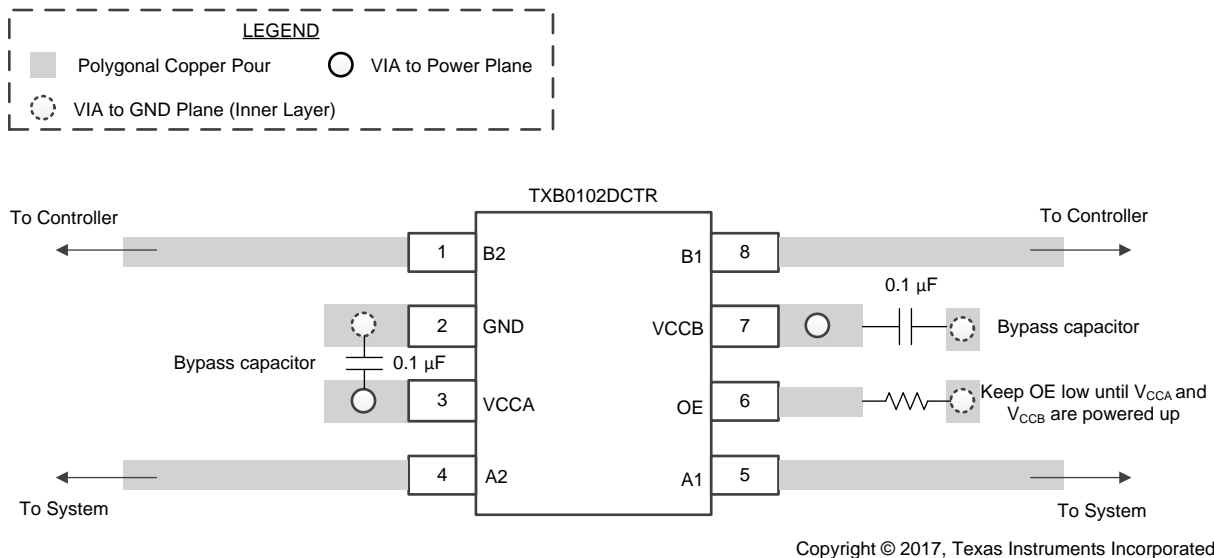


Figure 9. TXB0102 Layout Example

## 12 Device and Documentation Support

### 12.1 Documentation Support

#### 12.1.1 Related Documentation

For related documentation see the following:

- Texas Instruments, [A Guide to Voltage Translation With TXB-Type Translators Application Report](#)
- Texas Instruments, [Effects of pullup and pulldown resistors on TXS and TXB devices Application Report](#)
- Texas Instruments, [Introduction to Logic Application Report](#)
- Texas Instruments, [A Guide to Voltage Translation With TXS-Type Translators Application Report](#)
- Texas Instruments, [A Guide to Voltage Translation With TXB-Type Translators Application Report](#)

#### 12.2 Receiving Notification of Documentation Updates

To receive notification of documentation updates, navigate to the device product folder on ti.com. In the upper right corner, click on *Alert me* to register and receive a weekly digest of any product information that has changed. For change details, review the revision history included in any revised document.

#### 12.3 Community Resources

The following links connect to TI community resources. Linked contents are provided "AS IS" by the respective contributors. They do not constitute TI specifications and do not necessarily reflect TI's views; see TI's [Terms of Use](#).

**TI E2E™ Online Community** *TI's Engineer-to-Engineer (E2E) Community*. Created to foster collaboration among engineers. At e2e.ti.com, you can ask questions, share knowledge, explore ideas and help solve problems with fellow engineers.

**Design Support** *TI's Design Support* Quickly find helpful E2E forums along with design support tools and contact information for technical support.

#### 12.4 Trademarks

NanoFree, E2E are trademarks of Texas Instruments.  
All other trademarks are the property of their respective owners.

#### 12.5 Electrostatic Discharge Caution



These devices have limited built-in ESD protection. The leads should be shorted together or the device placed in conductive foam during storage or handling to prevent electrostatic damage to the MOS gates.

#### 12.6 Glossary

[SLYZ022](#) — *TI Glossary*.

This glossary lists and explains terms, acronyms, and definitions.

## 13 Mechanical, Packaging, and Orderable Information

The following pages include mechanical, packaging, and orderable information. This information is the most current data available for the designated devices. This data is subject to change without notice and revision of this document. For browser-based versions of this data sheet, refer to the left-hand navigation.

**PACKAGING INFORMATION**

Orderable Device	Status (1)	Package Type	Package Drawing	Pins	Package Qty	Eco Plan (2)	Lead/Ball Finish (6)	MSL Peak Temp (3)	Op Temp (°C)	Device Marking (4/5)	Samples
TXB0102DCUR	ACTIVE	VSSOP	DCU	8	3000	Green (RoHS & no Sb/Br)	CU NIPDAU   CU SN	Level-1-260C-UNLIM	-40 to 85	(FD, NFDQ, NFDR) NZ	<a href="#">Samples</a>
TXB0102DCURG4	ACTIVE	VSSOP	DCU	8	3000	TBD	Call TI	Call TI	-40 to 85	(FD, NFDQ, NFDR) NZ	<a href="#">Samples</a>
TXB0102DCUT	ACTIVE	VSSOP	DCU	8	250	Green (RoHS & no Sb/Br)	CU NIPDAU   CU SN	Level-1-260C-UNLIM	-40 to 85	(FD, NFDQ, NFDR) NZ	<a href="#">Samples</a>
TXB0102DCUTG4	ACTIVE	VSSOP	DCU	8	250	Green (RoHS & no Sb/Br)	CU SN	Level-1-260C-UNLIM	-40 to 85	(FD, NFDQ, NFDR) NZ	<a href="#">Samples</a>
TXB0102YZPR	ACTIVE	DSBGA	YZP	8	3000	Green (RoHS & no Sb/Br)	SNAGCU	Level-1-260C-UNLIM	-40 to 85	(2E, 2E2, 2E7, 2EN )	<a href="#">Samples</a>

(1) The marketing status values are defined as follows:

**ACTIVE:** Product device recommended for new designs.

**LIFEBUY:** TI has announced that the device will be discontinued, and a lifetime-buy period is in effect.

**NRND:** Not recommended for new designs. Device is in production to support existing customers, but TI does not recommend using this part in a new design.

**PREVIEW:** Device has been announced but is not in production. Samples may or may not be available.

**OBSOLETE:** TI has discontinued the production of the device.

(2) **RoHS:** TI defines "RoHS" to mean semiconductor products that are compliant with the current EU RoHS requirements for all 10 RoHS substances, including the requirement that RoHS substance do not exceed 0.1% by weight in homogeneous materials. Where designed to be soldered at high temperatures, "RoHS" products are suitable for use in specified lead-free processes. TI may reference these types of products as "Pb-Free".

**RoHS Exempt:** TI defines "RoHS Exempt" to mean products that contain lead but are compliant with EU RoHS pursuant to a specific EU RoHS exemption.

**Green:** TI defines "Green" to mean the content of Chlorine (Cl) and Bromine (Br) based flame retardants meet JS709B low halogen requirements of <=1000ppm threshold. Antimony trioxide based flame retardants must also meet the <=1000ppm threshold requirement.

(3) MSL, Peak Temp. - The Moisture Sensitivity Level rating according to the JEDEC industry standard classifications, and peak solder temperature.

(4) There may be additional marking, which relates to the logo, the lot trace code information, or the environmental category on the device.

(5) Multiple Device Markings will be inside parentheses. Only one Device Marking contained in parentheses and separated by a "-" will appear on a device. If a line is indented then it is a continuation of the previous line and the two combined represent the entire Device Marking for that device.

(6) Lead/Ball Finish - Orderable Devices may have multiple material finish options. Finish options are separated by a vertical ruled line. Lead/Ball Finish values may wrap to two lines if the finish value exceeds the maximum column width.

**Important Information and Disclaimer:** The information provided on this page represents TI's knowledge and belief as of the date that it is provided. TI bases its knowledge and belief on information provided by third parties, and makes no representation or warranty as to the accuracy of such information. Efforts are underway to better integrate information from third parties. TI has taken and continues to take reasonable steps to provide representative and accurate information but may not have conducted destructive testing or chemical analysis on incoming materials and chemicals. TI and TI suppliers consider certain information to be proprietary, and thus CAS numbers and other limited information may not be available for release.

In no event shall TI's liability arising out of such information exceed the total purchase price of the TI part(s) at issue in this document sold by TI to Customer on an annual basis.

## TAPE AND REEL INFORMATION



### QUADRANT ASSIGNMENTS FOR PIN 1 ORIENTATION IN TAPE



\*All dimensions are nominal

Device	Package Type	Package Drawing	Pins	SPQ	Reel Diameter (mm)	Reel Width W1 (mm)	A0 (mm)	B0 (mm)	K0 (mm)	P1 (mm)	W (mm)	Pin1 Quadrant
TXB0102DCUR	VSSOP	DCU	8	3000	180.0	8.4	2.25	3.35	1.05	4.0	8.0	Q3
TXB0102YZPR	DSBGA	YZP	8	3000	178.0	9.2	1.02	2.02	0.63	4.0	8.0	Q1
TXB0102YZPR	DSBGA	YZP	8	3000	180.0	8.4	1.02	2.02	0.63	4.0	8.0	Q1

## TAPE AND REEL BOX DIMENSIONS

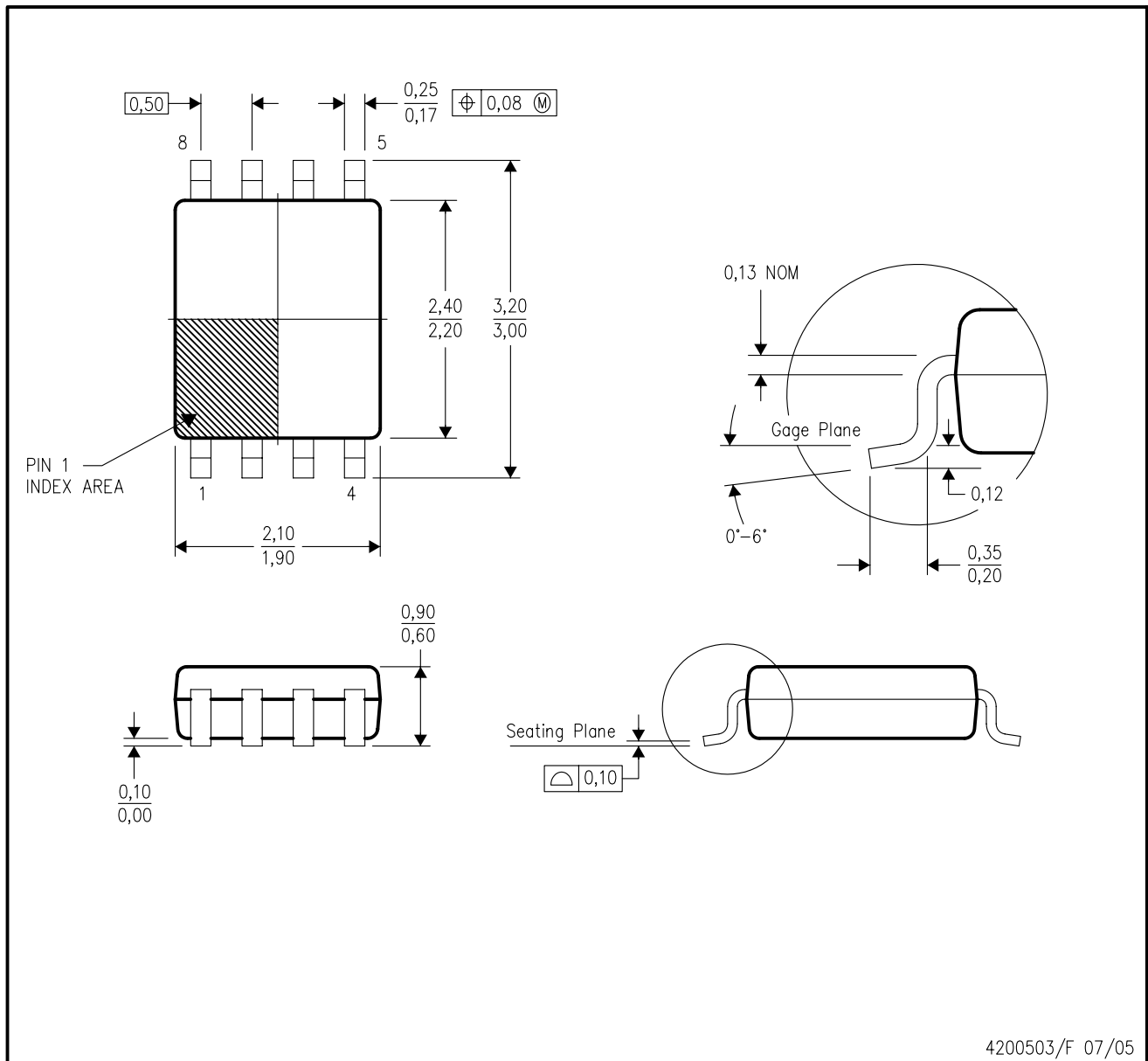


\*All dimensions are nominal

Device	Package Type	Package Drawing	Pins	SPQ	Length (mm)	Width (mm)	Height (mm)
TXB0102DCUR	VSSOP	DCU	8	3000	202.0	201.0	28.0
TXB0102YZPR	DSBGA	YZP	8	3000	220.0	220.0	35.0
TXB0102YZPR	DSBGA	YZP	8	3000	182.0	182.0	20.0

DCU (R-PDSO-G8)

PLASTIC SMALL-OUTLINE PACKAGE (DIE DOWN)



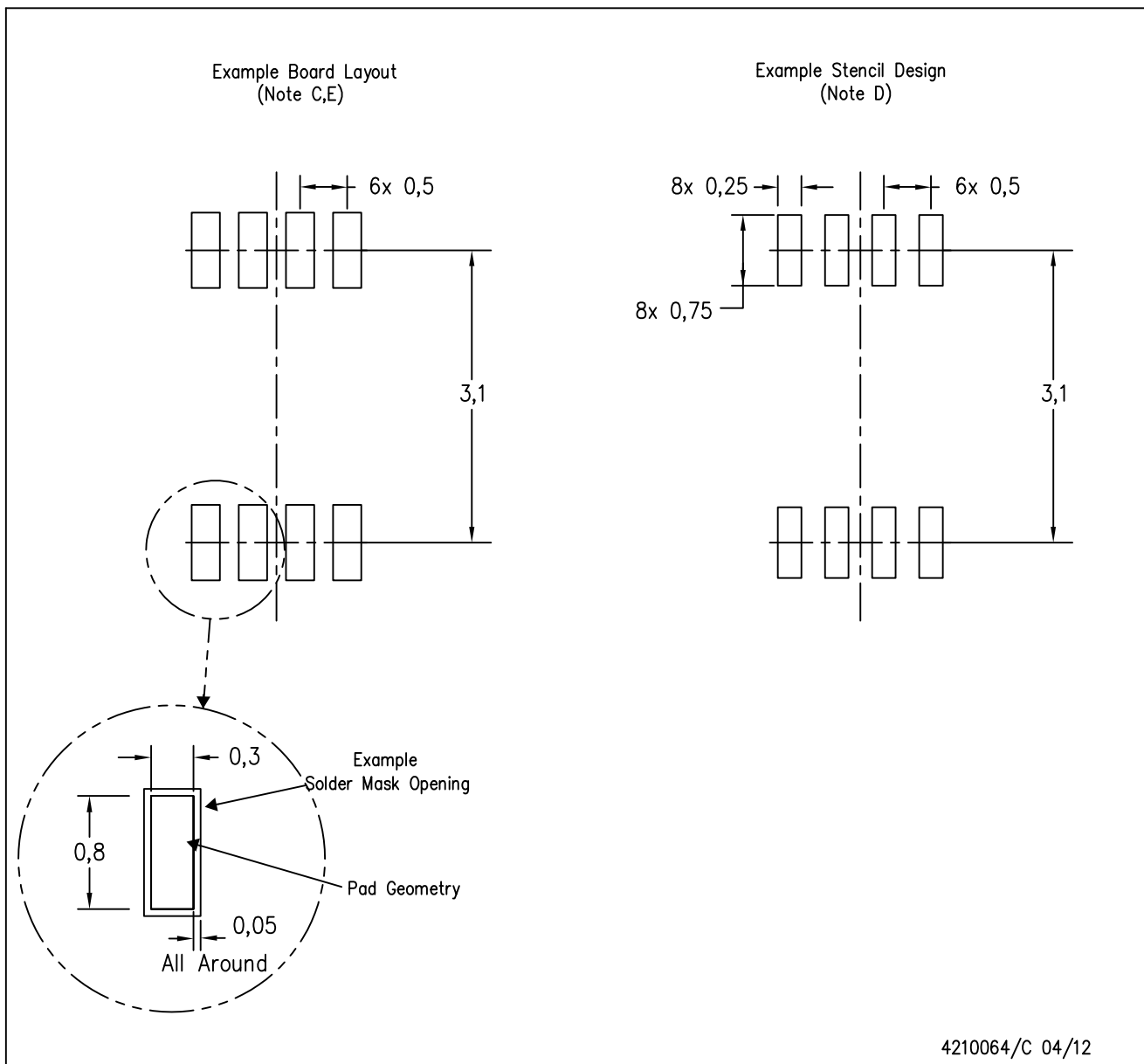
4200503/F 07/05

- NOTES:
- A. All linear dimensions are in millimeters.
  - B. This drawing is subject to change without notice.
  - C. Body dimensions do not include mold flash or protrusion. Mold flash and protrusion shall not exceed 0.15 per side.
  - D. Falls within JEDEC MO-187 variation CA.



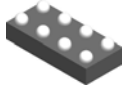
DCU (S-PDSO-G8)

PLASTIC SMALL OUTLINE PACKAGE (DIE DOWN)



- NOTES:
- A. All linear dimensions are in millimeters.
  - B. This drawing is subject to change without notice.
  - C. Publication IPC-7351 is recommended for alternate designs.
  - D. Laser cutting apertures with trapezoidal walls and also rounding corners will offer better paste release. Customers should contact their board assembly site for stencil design recommendations. Refer to IPC-7525 for other stencil recommendations.
  - E. Customers should contact their board fabrication site for solder mask tolerances between and around signal pads.

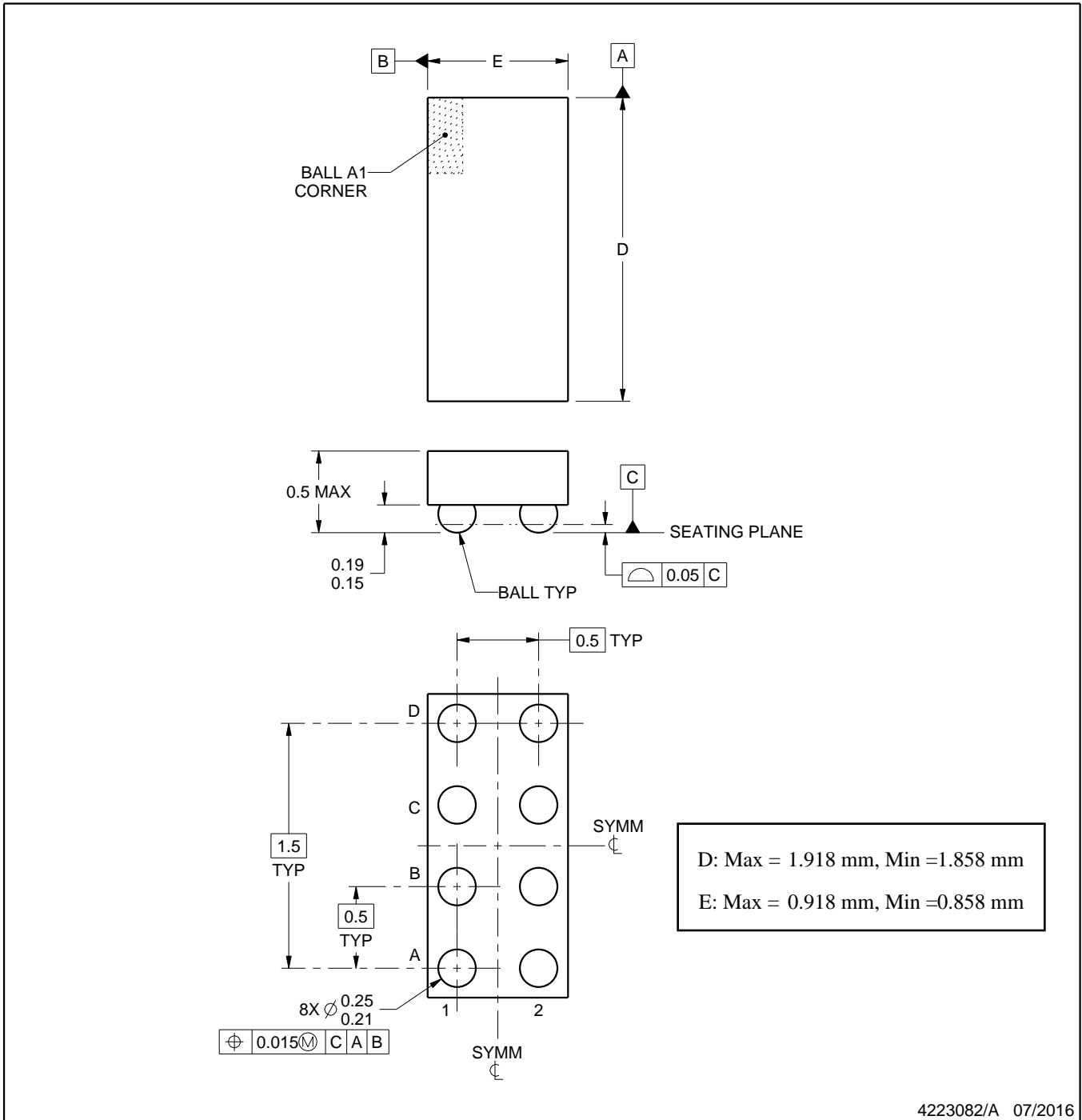
YZP0008



PACKAGE OUTLINE

DSBGA - 0.5 mm max height

DIE SIZE BALL GRID ARRAY



NOTES:

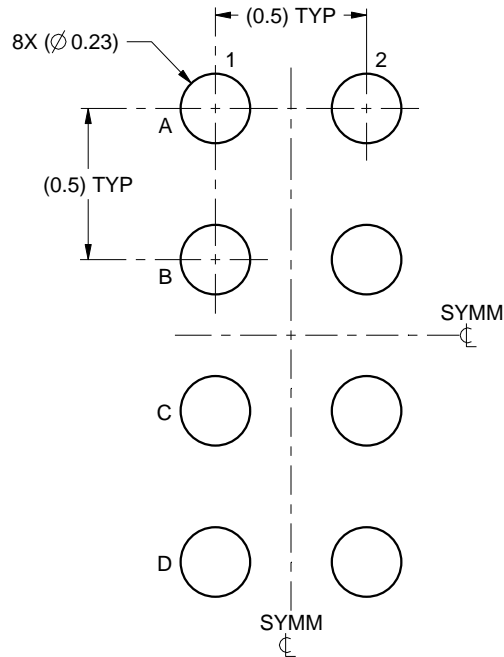
1. All linear dimensions are in millimeters. Any dimensions in parenthesis are for reference only. Dimensioning and tolerancing per ASME Y14.5M.
2. This drawing is subject to change without notice.

# EXAMPLE BOARD LAYOUT

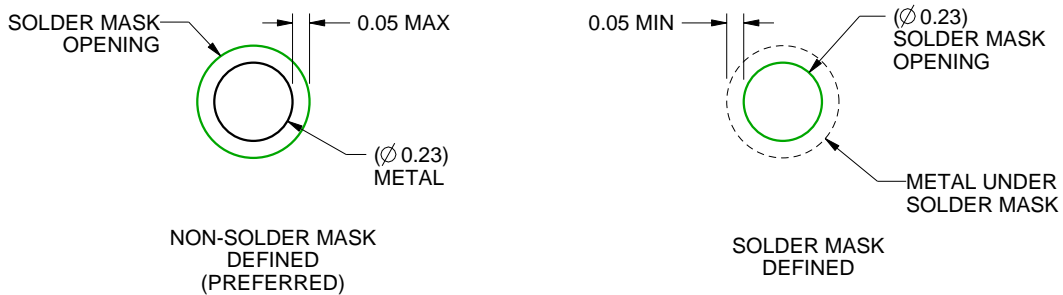
YZP0008

DSBGA - 0.5 mm max height

DIE SIZE BALL GRID ARRAY



LAND PATTERN EXAMPLE  
SCALE:40X



SOLDER MASK DETAILS  
NOT TO SCALE

4223082/A 07/2016

NOTES: (continued)

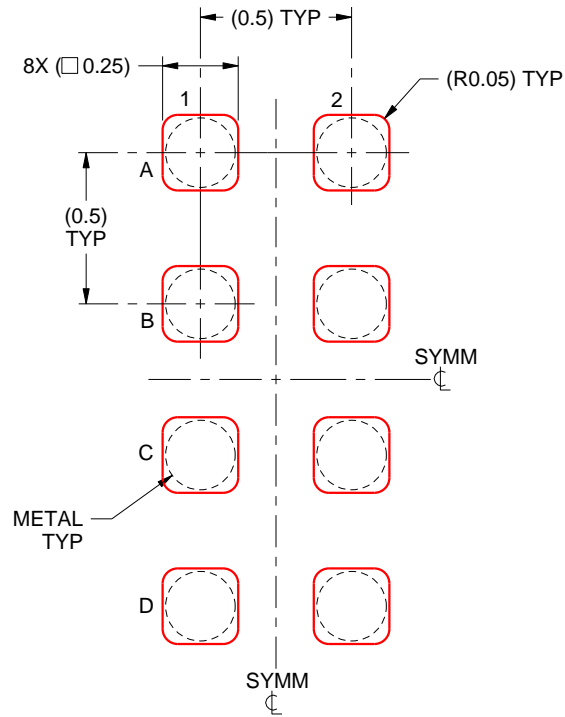
- Final dimensions may vary due to manufacturing tolerance considerations and also routing constraints. For more information, see Texas Instruments literature number SNVA009 ([www.ti.com/lit/snva009](http://www.ti.com/lit/snva009)).

# EXAMPLE STENCIL DESIGN

YZP0008

DSBGA - 0.5 mm max height

DIE SIZE BALL GRID ARRAY



SOLDER PASTE EXAMPLE  
BASED ON 0.1 mm THICK STENCIL  
SCALE:40X

4223082/A 07/2016

NOTES: (continued)

4. Laser cutting apertures with trapezoidal walls and rounded corners may offer better paste release.

## IMPORTANT NOTICE

Texas Instruments Incorporated (TI) reserves the right to make corrections, enhancements, improvements and other changes to its semiconductor products and services per JESD46, latest issue, and to discontinue any product or service per JESD48, latest issue. Buyers should obtain the latest relevant information before placing orders and should verify that such information is current and complete.

TI's published terms of sale for semiconductor products (<http://www.ti.com/sc/docs/stdterms.htm>) apply to the sale of packaged integrated circuit products that TI has qualified and released to market. Additional terms may apply to the use or sale of other types of TI products and services.

Reproduction of significant portions of TI information in TI data sheets is permissible only if reproduction is without alteration and is accompanied by all associated warranties, conditions, limitations, and notices. TI is not responsible or liable for such reproduced documentation. Information of third parties may be subject to additional restrictions. Resale of TI products or services with statements different from or beyond the parameters stated by TI for that product or service voids all express and any implied warranties for the associated TI product or service and is an unfair and deceptive business practice. TI is not responsible or liable for any such statements.

Buyers and others who are developing systems that incorporate TI products (collectively, "Designers") understand and agree that Designers remain responsible for using their independent analysis, evaluation and judgment in designing their applications and that Designers have full and exclusive responsibility to assure the safety of Designers' applications and compliance of their applications (and of all TI products used in or for Designers' applications) with all applicable regulations, laws and other applicable requirements. Designer represents that, with respect to their applications, Designer has all the necessary expertise to create and implement safeguards that (1) anticipate dangerous consequences of failures, (2) monitor failures and their consequences, and (3) lessen the likelihood of failures that might cause harm and take appropriate actions. Designer agrees that prior to using or distributing any applications that include TI products, Designer will thoroughly test such applications and the functionality of such TI products as used in such applications.

TI's provision of technical, application or other design advice, quality characterization, reliability data or other services or information, including, but not limited to, reference designs and materials relating to evaluation modules, (collectively, "TI Resources") are intended to assist designers who are developing applications that incorporate TI products; by downloading, accessing or using TI Resources in any way, Designer (individually or, if Designer is acting on behalf of a company, Designer's company) agrees to use any particular TI Resource solely for this purpose and subject to the terms of this Notice.

TI's provision of TI Resources does not expand or otherwise alter TI's applicable published warranties or warranty disclaimers for TI products, and no additional obligations or liabilities arise from TI providing such TI Resources. TI reserves the right to make corrections, enhancements, improvements and other changes to its TI Resources. TI has not conducted any testing other than that specifically described in the published documentation for a particular TI Resource.

Designer is authorized to use, copy and modify any individual TI Resource only in connection with the development of applications that include the TI product(s) identified in such TI Resource. NO OTHER LICENSE, EXPRESS OR IMPLIED, BY ESTOPPEL OR OTHERWISE TO ANY OTHER TI INTELLECTUAL PROPERTY RIGHT, AND NO LICENSE TO ANY TECHNOLOGY OR INTELLECTUAL PROPERTY RIGHT OF TI OR ANY THIRD PARTY IS GRANTED HEREIN, including but not limited to any patent right, copyright, mask work right, or other intellectual property right relating to any combination, machine, or process in which TI products or services are used. Information regarding or referencing third-party products or services does not constitute a license to use such products or services, or a warranty or endorsement thereof. Use of TI Resources may require a license from a third party under the patents or other intellectual property of the third party, or a license from TI under the patents or other intellectual property of TI.

TI RESOURCES ARE PROVIDED "AS IS" AND WITH ALL FAULTS. TI DISCLAIMS ALL OTHER WARRANTIES OR REPRESENTATIONS, EXPRESS OR IMPLIED, REGARDING RESOURCES OR USE THEREOF, INCLUDING BUT NOT LIMITED TO ACCURACY OR COMPLETENESS, TITLE, ANY EPIDEMIC FAILURE WARRANTY AND ANY IMPLIED WARRANTIES OF MERCHANTABILITY, FITNESS FOR A PARTICULAR PURPOSE, AND NON-INFRINGEMENT OF ANY THIRD PARTY INTELLECTUAL PROPERTY RIGHTS. TI SHALL NOT BE LIABLE FOR AND SHALL NOT DEFEND OR INDEMNIFY DESIGNER AGAINST ANY CLAIM, INCLUDING BUT NOT LIMITED TO ANY INFRINGEMENT CLAIM THAT RELATES TO OR IS BASED ON ANY COMBINATION OF PRODUCTS EVEN IF DESCRIBED IN TI RESOURCES OR OTHERWISE. IN NO EVENT SHALL TI BE LIABLE FOR ANY ACTUAL, DIRECT, SPECIAL, COLLATERAL, INDIRECT, PUNITIVE, INCIDENTAL, CONSEQUENTIAL OR EXEMPLARY DAMAGES IN CONNECTION WITH OR ARISING OUT OF TI RESOURCES OR USE THEREOF, AND REGARDLESS OF WHETHER TI HAS BEEN ADVISED OF THE POSSIBILITY OF SUCH DAMAGES.

Unless TI has explicitly designated an individual product as meeting the requirements of a particular industry standard (e.g., ISO/TS 16949 and ISO 26262), TI is not responsible for any failure to meet such industry standard requirements.

Where TI specifically promotes products as facilitating functional safety or as compliant with industry functional safety standards, such products are intended to help enable customers to design and create their own applications that meet applicable functional safety standards and requirements. Using products in an application does not by itself establish any safety features in the application. Designers must ensure compliance with safety-related requirements and standards applicable to their applications. Designer may not use any TI products in life-critical medical equipment unless authorized officers of the parties have executed a special contract specifically governing such use. Life-critical medical equipment is medical equipment where failure of such equipment would cause serious bodily injury or death (e.g., life support, pacemakers, defibrillators, heart pumps, neurostimulators, and implantables). Such equipment includes, without limitation, all medical devices identified by the U.S. Food and Drug Administration as Class III devices and equivalent classifications outside the U.S.

TI may expressly designate certain products as completing a particular qualification (e.g., Q100, Military Grade, or Enhanced Product). Designers agree that it has the necessary expertise to select the product with the appropriate qualification designation for their applications and that proper product selection is at Designers' own risk. Designers are solely responsible for compliance with all legal and regulatory requirements in connection with such selection.

Designer will fully indemnify TI and its representatives against any damages, costs, losses, and/or liabilities arising out of Designer's non-compliance with the terms and provisions of this Notice.