

# Buck Pulse Width Modulator Stepdown Voltage Regulator

## FEATURES

- Provides Simple Single Inductor Buck PWM Step-Down Voltage Regulation
- Drives External High Side NMOS Switch
- 14V to 72V Input Voltage Operating Range
- Contains 100kHz Internal Oscillator, 2V Reference and UVLO
- Soft Start on Power Up
- Overcurrent Shutdown Followed by Soft Start

## DESCRIPTION

The UC3578 is a PWM controller with an integrated high side floating gate driver. It is used in buck step down converters and regulates a positive output voltage. Intended to be used in a distributed power system, the IC allows operation from 14V to 72V input voltage which range includes the prevalent telecomm bus voltages. The output duty cycle of the UC3578 can vary between 0% and 90% for operation over the wide input voltage and load conditions.

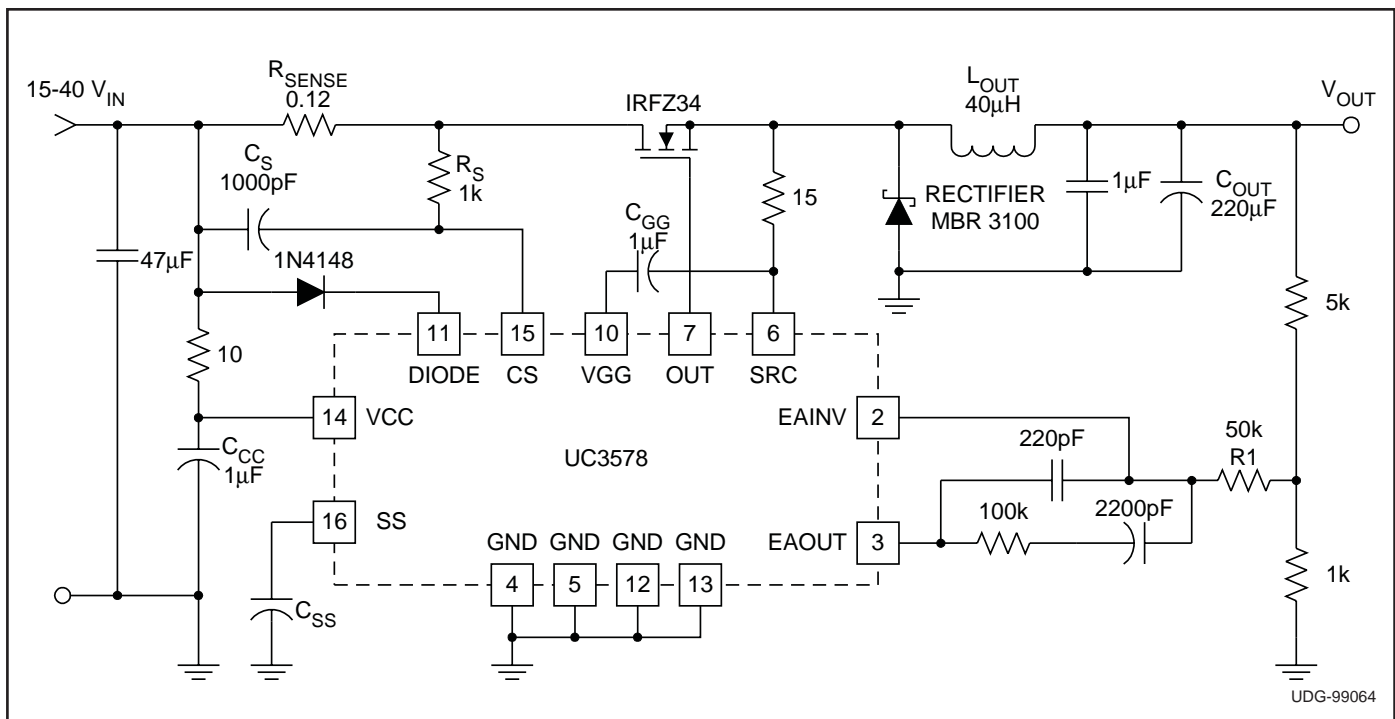
The UC3578 simplifies the design of the single switch PWM buck converter by incorporating a floating high side driver for an external N-channel MOSFET switch. It also features a 100kHz fixed frequency oscillator, an internal 2V precision reference, an error amplifier configured for voltage mode operation, and a PWM comparator with latching logic. Complementing the traditional voltage mode control block, the UC3578 incorporates an overcurrent shutdown circuit with full cycle soft re-start to limit the input current to a user defined maximum value during overload operation. Additional functions include an under voltage lockout circuit to insure that sufficient input supply voltage is present before any switching activity can occur.

The UC2578 and the UC3578 are both available in surface mount and thru-hole power packages.

## ORDERING INFORMATION

	TEMPERATURE RANGE	PACKAGE
UC2578DP	-40°C to +85°C	Power SOIC
UC2578N		Power PDIP
UC3578DP	0°C to +70°C	Power SOIC
UC3578N		Power PDIP

## TYPICAL APPLICATION DIAGRAM

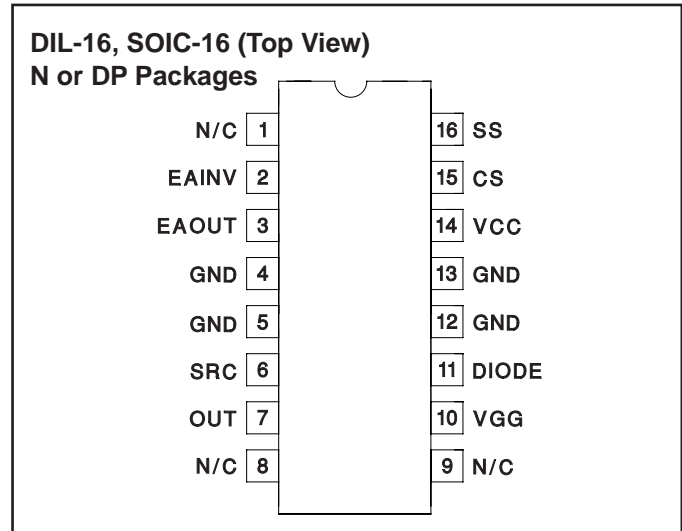


**ABSOLUTE MAXIMUM RATINGS**

VCC	+72V
EAINV	-0.3V to +10V
EAOUT	-0.3V to +10V
SS	-0.3V to +10V
DIODE	-0.3V to VCC
VGG	-0.3V to VCC +14V
CS	VCC - 5V to VCC +0.6V
I <sub>OUT</sub> Pulsed	-0.8A to +0.6A
SRC	-0.6V to VCC
Storage Temperature	-65°C to +150°C
Junction Temperature	-55°C to +150°C
Lead Temperature (Soldering, 10 sec.)	+300°C

Currents are positive into, negative out of the specified terminal.  
Consult Packaging Section of Databook for thermal limitations and considerations of packages.

**CONNECTION DIAGRAM**



Note: The four GND pins are internally connected.

**ELECTRICAL CHARACTERISTICS:** Unless otherwise specified VCC = 14V, VGG = 14V, T<sub>A</sub> = T<sub>J</sub>.

PARAMETER	TEST CONDITIONS	MIN	TYP	MAX	UNITS
<b>Oscillator Section</b>					
Frequency	VCC = 14V to 72V, EAINV = 1.9V, T <sub>J</sub> = 25°C	100	110	120	kHz
	VCC = 11V to 14V, Over Temperature	90		120	
<b>Error Amplifier Section</b>					
EAINV	EAOUT = EAINV	1.97	2	2.03	V
I <sub>EAINV</sub>	EAOUT = EAINV		100	300	nA
EAVOL	EAOUT/EAINV, 25°C	70	80		dB
EAOUT High	EAINV ≤ 1.9V, I <sub>EAOUT</sub> = -100μA	5.5	6.2		V
EAOUT Low	EAINV ≥ 2.1V, I <sub>EAOUT</sub> = 100μA		0.8	1.1	V
Unity Gain Bandwidth	T <sub>J</sub> = 25°C, F = 100kHz	0.85	1		MHz
PSRR, EAOUT	EAOUT = EAINV, VCC = 14V	80	90		dB
<b>Current Sense Comparator Section</b>					
Threshold (Referred to VCC)		0.4	0.5	0.6	V
Input Bias Current	CS = VCC - 0.4V		0.2	1	μA
Propagation Delay	V <sub>OVERDRIVE</sub> = 250mV		0.7	1.2	μs
Blanking Time	V <sub>OVERDRIVE</sub> = 250mV	75	200	300	ns
<b>Gate Drive Output Section</b>					
VOH	I <sub>OUT</sub> = -200mA	9.5	11		V
VOL	I <sub>OUT</sub> = 20mA		0.2	0.36	V
	I <sub>OUT</sub> = 200mA		1.5	2	V
Rise Time	T <sub>J</sub> = 25°C, C <sub>LOAD</sub> = 1nF		40	70	ns
Fall Time	T <sub>J</sub> = 25°C, C <sub>LOAD</sub> = 1nF		40	70	ns
<b>Pulse Width Modulator Section</b>					
Maximum Duty Cycle	EAINV ≤ 1.9V	85	90		%
Minimum Duty Cycle	EAINV ≥ 2.1V		0		%
Modulator Gain	EAOUT = 2.5V to 3.5V		30		%/V
<b>Undervoltage Lockout Section</b>					
Start Threshold	OUT - SRC, EAINV ≤ 1.9V, SRC = 0V	10	11	12	V
UVLO Hysteresis		1.5	2	2.5	V

**ELECTRICAL CHARACTERISTICS:** Unless otherwise specified VCC = 14V, VGG = 14V, T<sub>A</sub> = T<sub>J</sub>.

PARAMETER	TEST CONDITIONS	MIN	TYP	MAX	UNITS
<b>VGG Regulator Section</b>					
VGG – SRC	VCC = 72V, SRC = 0V, I <sub>VGG</sub> = –7mA	14.5	15.25	17	V
	VCC = 50V, SRC = 0V, I <sub>VGG</sub> = –7mA	14	14.75	16	V
	VCC = 15V, SRC = 0V, I <sub>VGG</sub> = –7mA	13	13.75	14.5	V
	VCC = 11V, SRC = 0V, I <sub>VGG</sub> = –7mA	9.5	10	10.5	V
<b>Soft Start Ramp Section</b>					
Soft Start Ramp Current		–30	–45		μA
<b>Supply Current Section</b>					
I <sub>VCC</sub>	EAINV ≥ 2.1V, SRC = 0V		10	14	mA
I <sub>VGG</sub>	EAINV ≥ 2.1V, SRC = 0V		7	10.5	mA

**PIN DESCRIPTIONS**

**CS:** Peak current limit sense pin. Senses the current across a current sense resistor placed between VCC and the drain of the NMOS buck switch. OUT will be held low (NMOS buck switch off) if VCC – CS exceeds 0.5V.

**DIODE:** An external small signal diode (1N4148 typical) is connected here, anode to VCC and cathode to DIODE, to implement the VGG regulator function.

**EAINV:** Inverting input to error amplifier. V<sub>OUT</sub> sense feedback is connected to this pin. The non-inverting input of the error amplifier is internally connected to 2V.

**EAOUT:** Output of the error amplifier. Use EAOUT and EAINV for loop compensation components.

**GND:** Circuit Ground. The four ground pins are internally connected together by the fused leadframe of the package. They provide the primary thermal conduction path for dissipating junction heat.

**OUT:** Gate drive for the external NMOS switch connected between VCC and the buck inductor.

**SRC:** This pin is connected to the junction of the external NMOS switch source, the floating voltage source capacitor, the free-wheeling diode cathode, and buck inductor.

**SS:** The external soft start capacitor is connected to this pin.

**VGG:** An external capacitor connected from VGG to SRC completes the floating voltage source for the floating gate driver. A 1μF capacitor is recommended.

**VCC:** Input supply voltage. This pin supplies an internal ground referenced voltage regulator that supplies the IC and an on-chip regulated floating voltage source (VGG – SRC) used by the floating driver to drive the external NMOS buck switch. This pin should be bypassed with a high quality ceramic capacitor.

**APPLICATION INFORMATION**

The UC3578 Floating Buck Controller is a high frequency switching regulator with a floating driver which provides PWM control for non-isolated buck converters. The controller operates at a fixed 100 kHz switching frequency, and in voltage mode control. The duty cycle range of the PWM output is 0% to 90% allowing for a wide range of input voltages (14V minimum with transients to 72V). The regulator features an undervoltage lockout threshold of 11V with approximately 2V hysteresis as well as soft start capability. The typical application circuit shown is for a 15V to 40V input and a 12V at 3A output.

To ensure proper operation of the floating driver, an external capacitor (1μF ceramic) must be connected from VGG to SRC, and to the source of the external MOSFET

through a small resistor, as shown in the typical application diagram and in Fig 2. This capacitor provides the energy for the high side driver. The gate drive voltage to the MOSFET is internally regulated to 14V. A diode (1N4148) is required from the input voltage to DIODE. This allows the floating drive capacitor to charge during conduction of the output rectifier but prevents its discharge back into the supply rail. A 1μF ceramic capacitor is recommended from VCC to ground to provide high frequency decoupling. Additional decoupling of this pin could be accomplished by a low value resistor between VCC and V<sub>IN</sub> and a 1μF capacitor from VCC to GND as shown in the schematic.

APPLICATION INFORMATION (cont.)

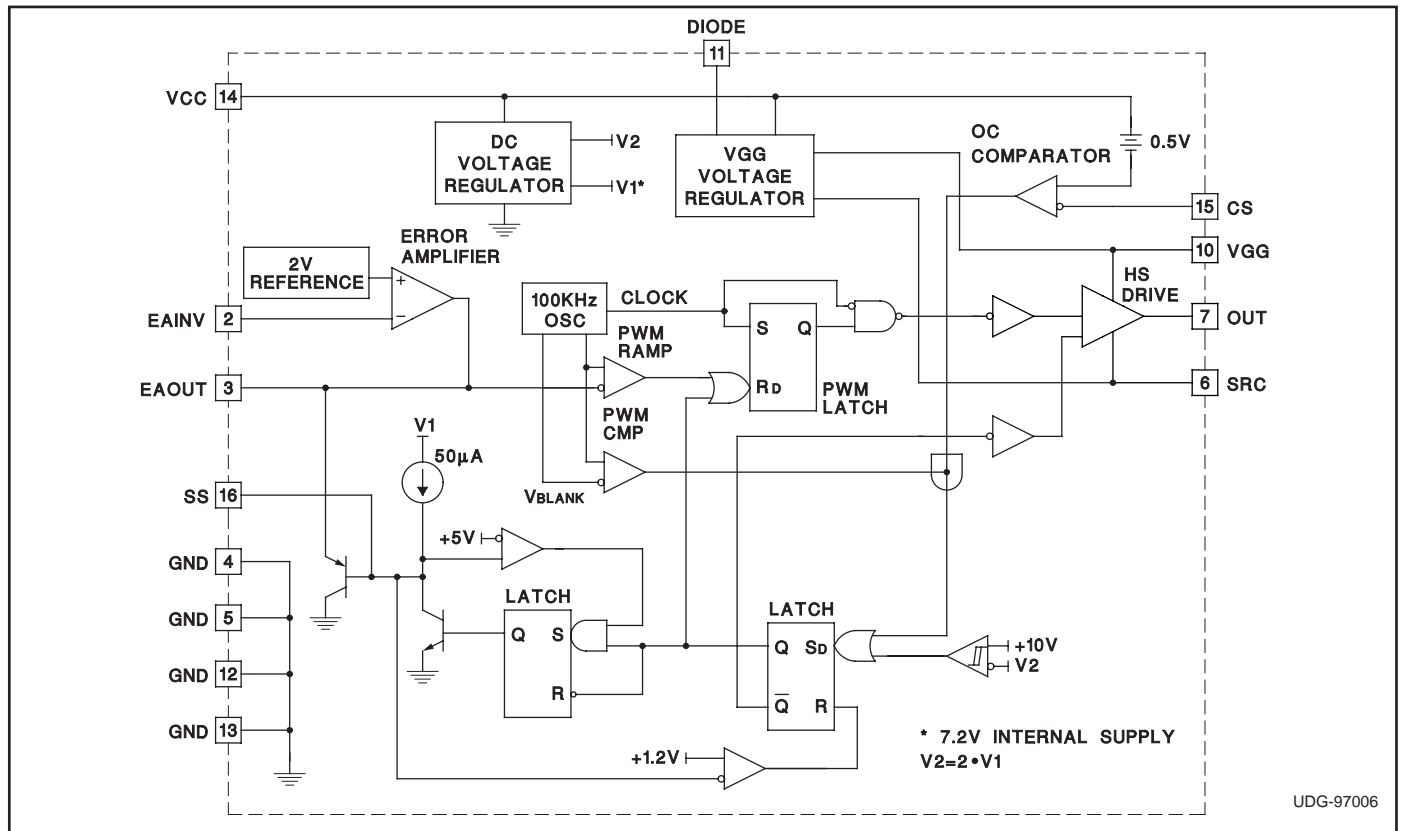


Figure 1. Block diagram.

**Current Limit**

The current sense pin provides overcurrent shutdown. As can be seen from the block diagram, the overcurrent comparator is wire ANDed with the oscillator after an internally set blanking time. The  $I_{LIMIT}$  threshold level is set by the current sense resistor from  $R_{SENSE}$ .

$$I_{LIMIT} = \frac{0.5V}{R_{SENSE}}$$

An optional filter can be added ( $R_S C_S$ ) from the current sense resistor to CS to provide high frequency filtering of the current sense signal if necessary.

During a current limit condition, the soft start capacitor on SS is discharged until its voltage level reaches 1.2V. During this time, a duty cycle clamp is activated to approximately 0.6V above the voltage level on the SS capacitor. This condition persists until the SS capacitor is discharged to 1.2V, thus disabling the output driver. At this time, the SS capacitor is allowed to charge to 5V through the 50µA current source and normal operation resumes when the SS capacitor reaches 5V. During the condition described, the regulator enters a hiccup current limit mode of operation which limits the power dissipation in the MOSFET and output rectifier under a short circuit condition.

**Error Amplifier**

The onboard error amplifier of the UC3578 is a voltage amplifier with its non-inverting input tied to an internal 2V reference. As usual, loop compensation can be added from the inverting input of EAINV to the error amplifier output at EAOUT. Consideration must be given when choosing the values of the compensation components around the amplifier so that the output swing of the amplifier is not restricted. The output of the amplifier can source 100µA typically.

**General**

As in any buck converter, when the switch is off, the source flies low due to the conduction of the free-wheeling rectifier. The source (SRC) is pulled below ground by an amount determined by the forward voltage drop of the rectifier and by any transient voltage spike from inductance in this path. The occurrence of this condition could result in erratic operation of the IC during this period if the negative excursion is not limited. This is because of conduction of current in the substrate of the IC due to the source pin being pulled below ground and forward biasing the internal substrate PN junction. To limit this effect, a small resistor (15Ω) can be placed in series between the MOSFET source and the SRC pin as shown in Fig. 1. Too large a resistor will limit the drive to the

APPLICATION INFORMATION (cont.)

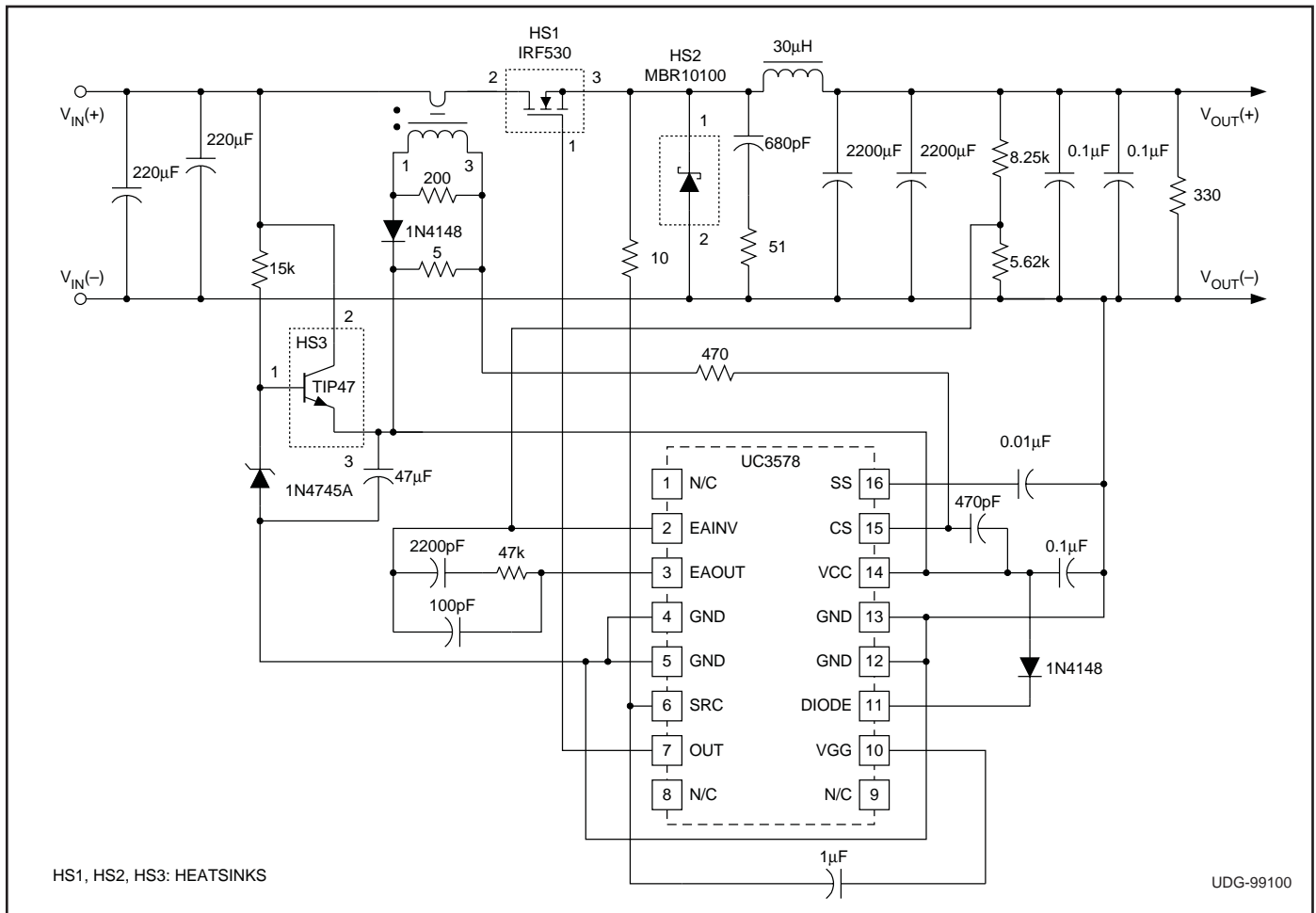


Figure 2. Detailed application schematic for the UC3578 evaluation board.

MOSFET and result in startup problems with the regulator. A Schottky rectifier is used for the free-wheeling diode to limit the negative excursion of the source. This will also limit the reverse recovery current thus limiting the inductive voltage spike.

In applications where transient load excursions may result in a no load condition, it is necessary that the output of the regulator be loaded with a small load current (10mA to 15mA). This will prevent the output voltage from going unregulated at no load. This small load current is necessary for proper operation of the floating driver since the source must fly low to charge up the floating driver capacitance.

**Thermal Considerations**

For proper operation and reliability of the UC3578, proper thermal management is essential. It is important that the designer keep in mind that with surface mount packages, a significant amount of the heat that the device generates is conducted out through the lead frame. Because of this, the PCB design becomes a critical part

of the thermal management system. Worst case junction-to-ambient thermal resistance for different package configurations are given in a table in the data book in the package information section.

The maximum ambient operating temperature is an important factor in determining what the maximum operating voltage can be for a particular application. For example, if we assume a maximum operating ambient temperature of 70°C we can determine what the maximum allowable input voltage can be given other parameters such as package thermal impedance and MOSFET total gate charge by following the procedure outlined below;

$$T_{J(max)} - T_A = 125^\circ C - 70^\circ C = 55^\circ C. \tag{1}$$

$$Pd = \frac{55^\circ C}{58^\circ C / W} = 0.95W, \tag{2}$$

where 58°C/W is the worst case theta j-a for the 16 pin DP package and Pd is the package power dissipation.

**APPLICATION INFORMATION (cont.)**

$$Pd = (Qg \cdot 100kHz + 19mA) \cdot V_{IN}, \quad (3)$$

where Qg is the total MOSFET gate charge and 19mA is the maximum quiescent current for the UC3578 ( $I_{CC} + I_{GG}$ ) from the data sheet. The switching frequency of the buck converter is 100kHz.

The gate charge can be determined from the MOSFET data sheet. As an example, for a IRFZ34 which has a total gate charge of 46nC, substituting for Pd in equation 3:

$$0.95W = (46nC \cdot 100kHz + 19mA) \cdot V_{IN}, \text{ and}$$

$$V_{IN(max)} = \frac{0.95W}{0.0236A} = 40V.$$

Therefore, at 70°C using a IRFZ34 MOSFET the maximum input voltage is limited to 40V to maintain a maximum junction temperature of 125°C in the 16 pin DP package.

Higher input voltages can be achieved by choosing a MOSFET with a lower total gate charge or by a reduced ambient operating temperature or by reducing the theta

j-a of the package by improving the PCB mounting method. It is recommended that the four GND pins (4, 5, 12 and 13) be connected to a ground plane to provide a low resistance thermal path. If a ground plane is not available, a heat spreader on a double sided PC board is recommended.

Note: Thermal impedance number is based on device mounted to 5 square inch FR4 PC board with one ounce copper. From Unitrode 95-96 data book Table 1, page 9-8, when resistance range is given, lower thermal impedance values are for 5 square inch aluminum PC board.

**ADDITIONAL INFORMATION**

Please refer to the following Unitrode topic for additional application information.

[1] Application Note U-167, *Design and Evaluation of a 48V to 5V Telecom Buck Converter using the UC3578 Control IC* by Mark Dennis.

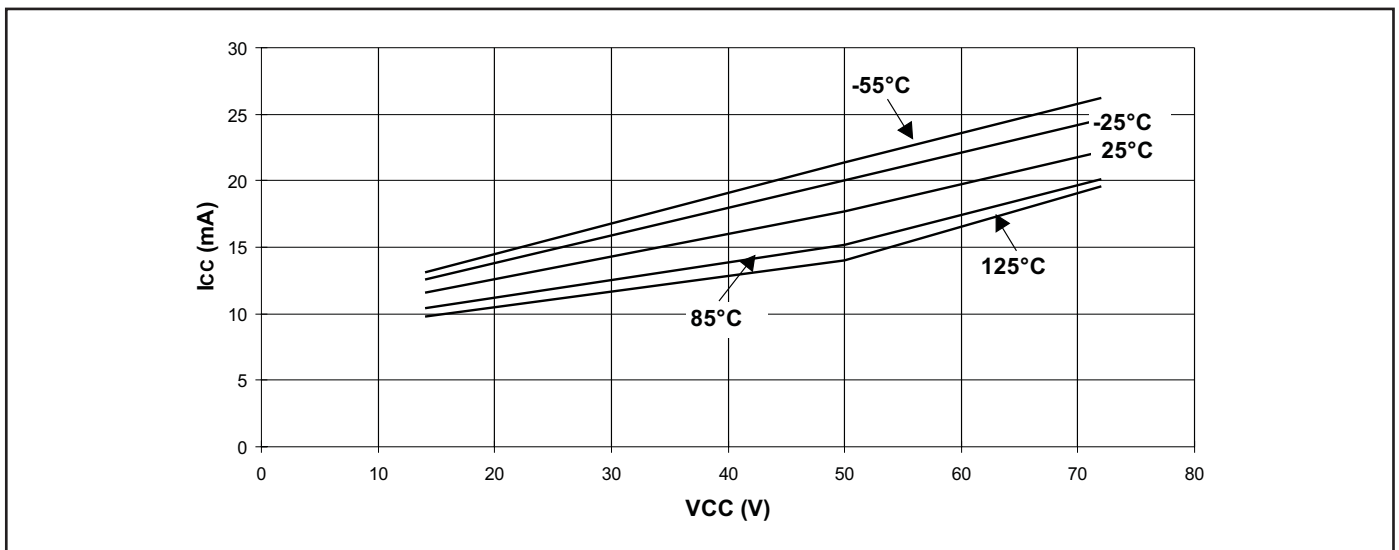


Figure 3. I<sub>CC</sub> vs. V<sub>CC</sub> vs. temperature.

**PACKAGING INFORMATION**

Orderable Device	Status (1)	Package Type	Package Drawing	Pins	Package Qty	Eco Plan (2)	Lead/Ball Finish (6)	MSL Peak Temp (3)	Op Temp (°C)	Device Marking (4/5)	Samples
UC2578DP	NRND	SOIC	D	16	40	Green (RoHS & no Sb/Br)	CU NIPDAU	Level-2-260C-1 YEAR	-40 to 85	UC2578DP	
UC2578DPTR	NRND	SOIC	D	16	2500	Green (RoHS & no Sb/Br)	CU NIPDAU	Level-2-260C-1 YEAR	-40 to 85	UC2578DP	
UC3578DP	NRND	SOIC	D	16	40	Green (RoHS & no Sb/Br)	CU NIPDAU	Level-2-260C-1 YEAR	0 to 70	UC3578DP	
UC3578DPG4	NRND	SOIC	D	16	40	Green (RoHS & no Sb/Br)	CU NIPDAU	Level-2-260C-1 YEAR	0 to 70	UC3578DP	

(1) The marketing status values are defined as follows:

**ACTIVE:** Product device recommended for new designs.

**LIFEBUY:** TI has announced that the device will be discontinued, and a lifetime-buy period is in effect.

**NRND:** Not recommended for new designs. Device is in production to support existing customers, but TI does not recommend using this part in a new design.

**PREVIEW:** Device has been announced but is not in production. Samples may or may not be available.

**OBSELETE:** TI has discontinued the production of the device.

(2) Eco Plan - The planned eco-friendly classification: Pb-Free (RoHS), Pb-Free (RoHS Exempt), or Green (RoHS & no Sb/Br) - please check <http://www.ti.com/productcontent> for the latest availability information and additional product content details.

**TBD:** The Pb-Free/Green conversion plan has not been defined.

**Pb-Free (RoHS):** TI's terms "Lead-Free" or "Pb-Free" mean semiconductor products that are compatible with the current RoHS requirements for all 6 substances, including the requirement that lead not exceed 0.1% by weight in homogeneous materials. Where designed to be soldered at high temperatures, TI Pb-Free products are suitable for use in specified lead-free processes.

**Pb-Free (RoHS Exempt):** This component has a RoHS exemption for either 1) lead-based flip-chip solder bumps used between the die and package, or 2) lead-based die adhesive used between the die and leadframe. The component is otherwise considered Pb-Free (RoHS compatible) as defined above.

**Green (RoHS & no Sb/Br):** TI defines "Green" to mean Pb-Free (RoHS compatible), and free of Bromine (Br) and Antimony (Sb) based flame retardants (Br or Sb do not exceed 0.1% by weight in homogeneous material)

(3) MSL, Peak Temp. - The Moisture Sensitivity Level rating according to the JEDEC industry standard classifications, and peak solder temperature.

(4) There may be additional marking, which relates to the logo, the lot trace code information, or the environmental category on the device.

(5) Multiple Device Markings will be inside parentheses. Only one Device Marking contained in parentheses and separated by a "~" will appear on a device. If a line is indented then it is a continuation of the previous line and the two combined represent the entire Device Marking for that device.

(6) Lead/Ball Finish - Orderable Devices may have multiple material finish options. Finish options are separated by a vertical ruled line. Lead/Ball Finish values may wrap to two lines if the finish value exceeds the maximum column width.

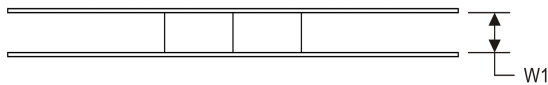
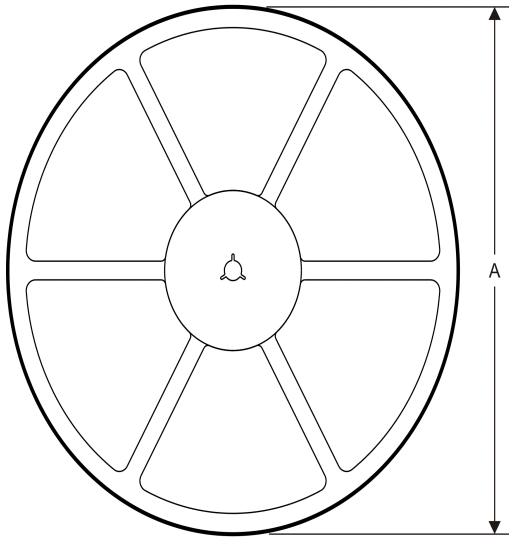
**Important Information and Disclaimer:**The information provided on this page represents TI's knowledge and belief as of the date that it is provided. TI bases its knowledge and belief on information provided by third parties, and makes no representation or warranty as to the accuracy of such information. Efforts are underway to better integrate information from third parties. TI has taken and continues to take reasonable steps to provide representative and accurate information but may not have conducted destructive testing or chemical analysis on incoming materials and chemicals. TI and TI suppliers consider certain information to be proprietary, and thus CAS numbers and other limited information may not be available for release.

In no event shall TI's liability arising out of such information exceed the total purchase price of the TI part(s) at issue in this document sold by TI to Customer on an annual basis.

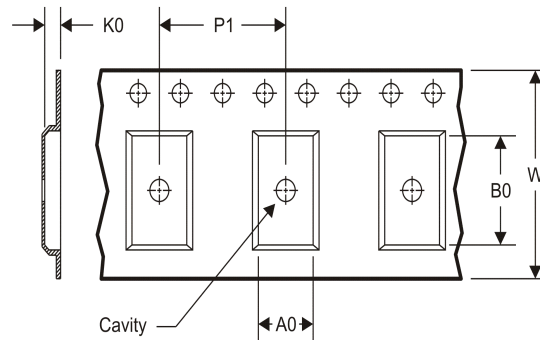


**TAPE AND REEL INFORMATION**

**REEL DIMENSIONS**



**TAPE DIMENSIONS**



A0	Dimension designed to accommodate the component width
B0	Dimension designed to accommodate the component length
K0	Dimension designed to accommodate the component thickness
W	Overall width of the carrier tape
P1	Pitch between successive cavity centers

**TAPE AND REEL INFORMATION**

\*All dimensions are nominal

Device	Package Type	Package Drawing	Pins	SPQ	Reel Diameter (mm)	Reel Width W1 (mm)	A0 (mm)	B0 (mm)	K0 (mm)	P1 (mm)	W (mm)	Pin1 Quadrant
UC2578DPTR	SOIC	D	16	2500	330.0	16.4	6.5	10.3	2.1	8.0	16.0	Q1

TAPE AND REEL BOX DIMENSIONS



\*All dimensions are nominal

Device	Package Type	Package Drawing	Pins	SPQ	Length (mm)	Width (mm)	Height (mm)
UC2578DPTR	SOIC	D	16	2500	367.0	367.0	38.0

## IMPORTANT NOTICE

Texas Instruments Incorporated and its subsidiaries (TI) reserve the right to make corrections, enhancements, improvements and other changes to its semiconductor products and services per JESD46, latest issue, and to discontinue any product or service per JESD48, latest issue. Buyers should obtain the latest relevant information before placing orders and should verify that such information is current and complete. All semiconductor products (also referred to herein as "components") are sold subject to TI's terms and conditions of sale supplied at the time of order acknowledgment.

TI warrants performance of its components to the specifications applicable at the time of sale, in accordance with the warranty in TI's terms and conditions of sale of semiconductor products. Testing and other quality control techniques are used to the extent TI deems necessary to support this warranty. Except where mandated by applicable law, testing of all parameters of each component is not necessarily performed.

TI assumes no liability for applications assistance or the design of Buyers' products. Buyers are responsible for their products and applications using TI components. To minimize the risks associated with Buyers' products and applications, Buyers should provide adequate design and operating safeguards.

TI does not warrant or represent that any license, either express or implied, is granted under any patent right, copyright, mask work right, or other intellectual property right relating to any combination, machine, or process in which TI components or services are used. Information published by TI regarding third-party products or services does not constitute a license to use such products or services or a warranty or endorsement thereof. Use of such information may require a license from a third party under the patents or other intellectual property of the third party, or a license from TI under the patents or other intellectual property of TI.

Reproduction of significant portions of TI information in TI data books or data sheets is permissible only if reproduction is without alteration and is accompanied by all associated warranties, conditions, limitations, and notices. TI is not responsible or liable for such altered documentation. Information of third parties may be subject to additional restrictions.

Resale of TI components or services with statements different from or beyond the parameters stated by TI for that component or service voids all express and any implied warranties for the associated TI component or service and is an unfair and deceptive business practice. TI is not responsible or liable for any such statements.

Buyer acknowledges and agrees that it is solely responsible for compliance with all legal, regulatory and safety-related requirements concerning its products, and any use of TI components in its applications, notwithstanding any applications-related information or support that may be provided by TI. Buyer represents and agrees that it has all the necessary expertise to create and implement safeguards which anticipate dangerous consequences of failures, monitor failures and their consequences, lessen the likelihood of failures that might cause harm and take appropriate remedial actions. Buyer will fully indemnify TI and its representatives against any damages arising out of the use of any TI components in safety-critical applications.

In some cases, TI components may be promoted specifically to facilitate safety-related applications. With such components, TI's goal is to help enable customers to design and create their own end-product solutions that meet applicable functional safety standards and requirements. Nonetheless, such components are subject to these terms.

No TI components are authorized for use in FDA Class III (or similar life-critical medical equipment) unless authorized officers of the parties have executed a special agreement specifically governing such use.

Only those TI components which TI has specifically designated as military grade or "enhanced plastic" are designed and intended for use in military/aerospace applications or environments. Buyer acknowledges and agrees that any military or aerospace use of TI components which have **not** been so designated is solely at the Buyer's risk, and that Buyer is solely responsible for compliance with all legal and regulatory requirements in connection with such use.

TI has specifically designated certain components as meeting ISO/TS16949 requirements, mainly for automotive use. In any case of use of non-designated products, TI will not be responsible for any failure to meet ISO/TS16949.

### Products

Audio	<a href="http://www.ti.com/audio">www.ti.com/audio</a>
Amplifiers	<a href="http://amplifier.ti.com">amplifier.ti.com</a>
Data Converters	<a href="http://dataconverter.ti.com">dataconverter.ti.com</a>
DLP® Products	<a href="http://www.dlp.com">www.dlp.com</a>
DSP	<a href="http://dsp.ti.com">dsp.ti.com</a>
Clocks and Timers	<a href="http://www.ti.com/clocks">www.ti.com/clocks</a>
Interface	<a href="http://interface.ti.com">interface.ti.com</a>
Logic	<a href="http://logic.ti.com">logic.ti.com</a>
Power Mgmt	<a href="http://power.ti.com">power.ti.com</a>
Microcontrollers	<a href="http://microcontroller.ti.com">microcontroller.ti.com</a>
RFID	<a href="http://www.ti-rfid.com">www.ti-rfid.com</a>
OMAP Applications Processors	<a href="http://www.ti.com/omap">www.ti.com/omap</a>
Wireless Connectivity	<a href="http://www.ti.com/wirelessconnectivity">www.ti.com/wirelessconnectivity</a>

### Applications

Automotive and Transportation	<a href="http://www.ti.com/automotive">www.ti.com/automotive</a>
Communications and Telecom	<a href="http://www.ti.com/communications">www.ti.com/communications</a>
Computers and Peripherals	<a href="http://www.ti.com/computers">www.ti.com/computers</a>
Consumer Electronics	<a href="http://www.ti.com/consumer-apps">www.ti.com/consumer-apps</a>
Energy and Lighting	<a href="http://www.ti.com/energy">www.ti.com/energy</a>
Industrial	<a href="http://www.ti.com/industrial">www.ti.com/industrial</a>
Medical	<a href="http://www.ti.com/medical">www.ti.com/medical</a>
Security	<a href="http://www.ti.com/security">www.ti.com/security</a>
Space, Avionics and Defense	<a href="http://www.ti.com/space-avionics-defense">www.ti.com/space-avionics-defense</a>
Video and Imaging	<a href="http://www.ti.com/video">www.ti.com/video</a>

### TI E2E Community

[e2e.ti.com](http://e2e.ti.com)